

Madison 6'8"		
All dimensions nominal before prefit and bevel.		
DW	A	B
3-0	26.5	4.75
2-10	22.5	5.75
2-8	22.5	4.75
2-6	20.5	4.75
2-4	18.5	4.75
2-2	15.5	5.25
2-0	15.5	4.25
1-10	11.5	5.25
1-8	11.5	4.25
1-6	7.81	5.09
Bottom rail dimension does not comply with ADA requirements.		

Madison

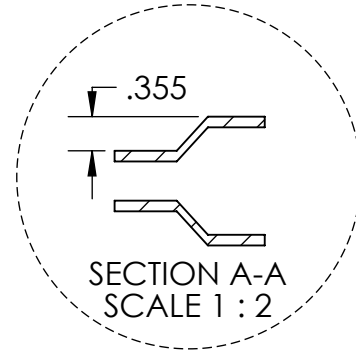
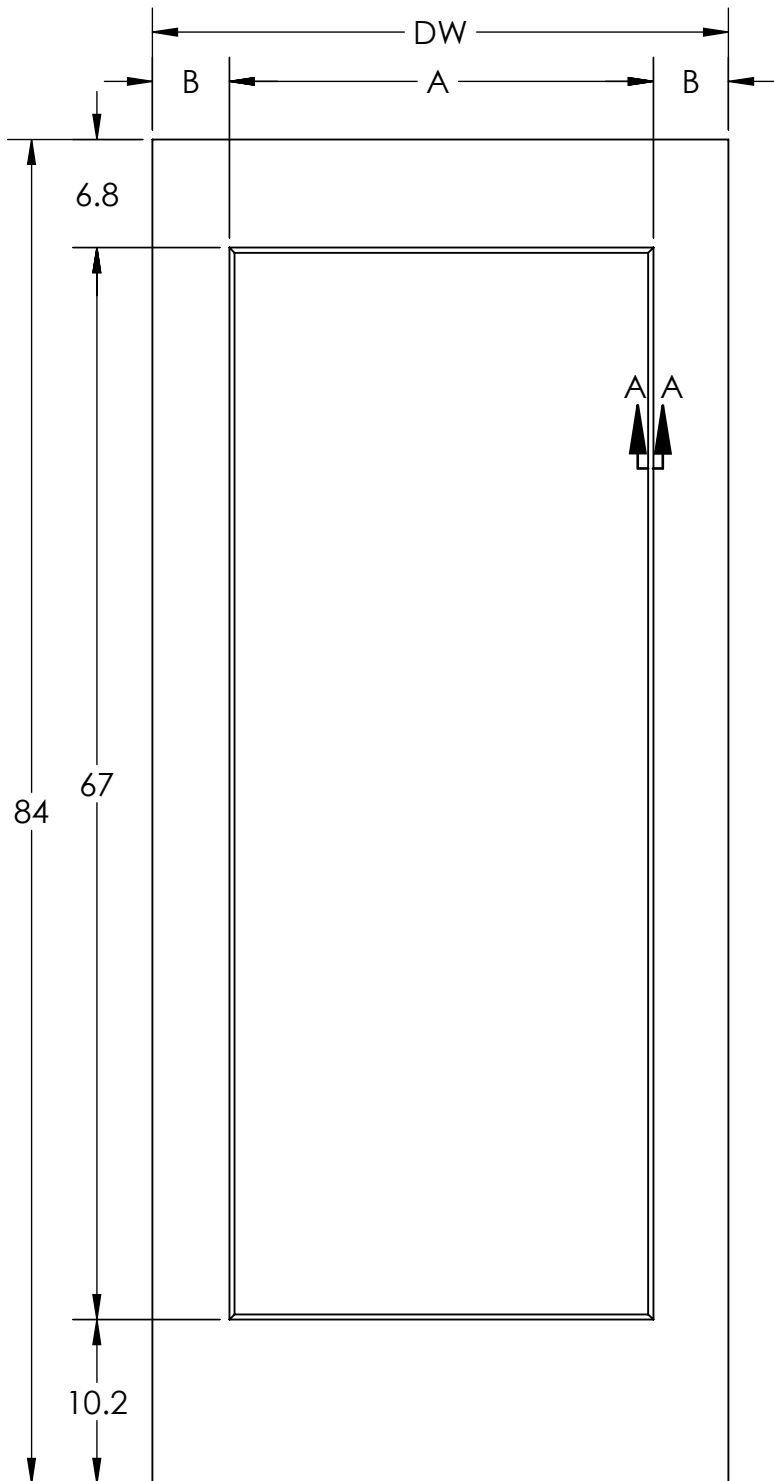
Molded Profile Door



DIMENSIONS ARE IN: Inches
 DOOR TOLERANCES
 WIDTH (FULL WIDTH): ±1/16
 WIDTH (PREFIT): ±1/32
 HEIGHT: ±1/16
 SQUARE: ±1/8

THE INFORMATION CONTAINED IN THIS DRAWING IS THE SOLE PROPERTY OF Lynden Door, Inc. ANY REPRODUCTION IN PART OR AS A WHOLE WITHOUT THE WRITTEN PERMISSION OF Lynden Door, Inc. IS PROHIBITED.

A04-00040 | 11/23/16



Madison 7'0"		
All dimensions nominal before prefit and bevel.		
DW	A	B
3-0	26.5	4.75
2-10	22.5	5.75
2-8	22.5	4.75
2-6	20.5	4.75
2-4	18.5	4.75
2-2	15.5	5.25
2-0	15.5	4.25
1-10	11.5	5.25
1-8	11.5	4.25
1-6	7.81	5.09
Bottom rail dimension complies with ADA requirements.		

Madison

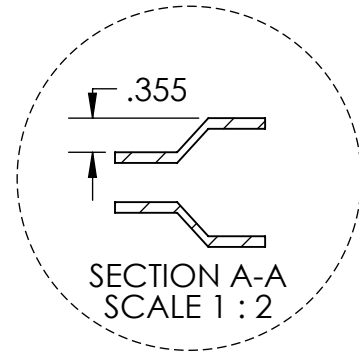
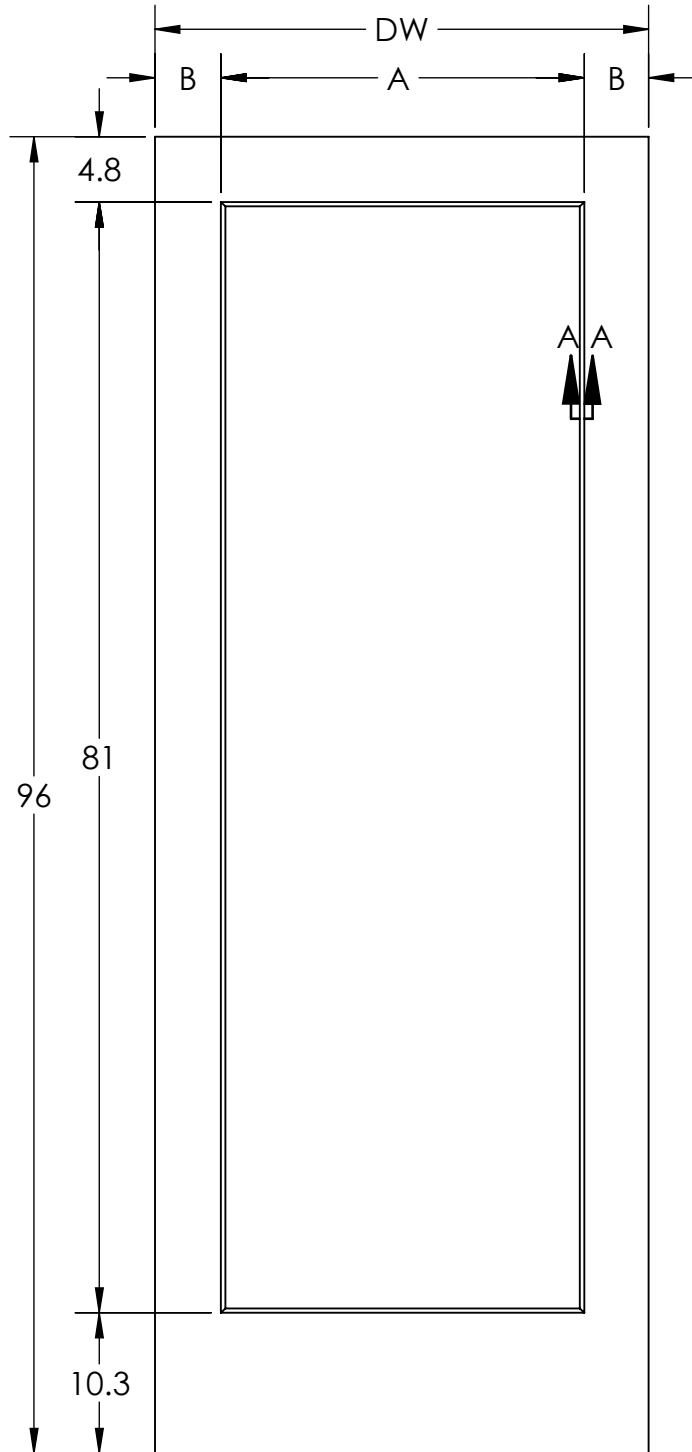
Molded Profile Door



DIMENSIONS ARE IN: inches
 DOOR TOLERANCES
 WIDTH (FULL WIDTH): ±1/16
 WIDTH (PREFIT): ±1/32
 HEIGHT: ±1/16
 SQUARE: ±1/8

THE INFORMATION CONTAINED IN THIS DRAWING IS THE SOLE PROPERTY OF Lynden Door, Inc. ANY REPRODUCTION IN PART OR AS A WHOLE WITHOUT THE WRITTEN PERMISSION OF Lynden Door, Inc. IS PROHIBITED.

A04-00040 | 11/23/16



Madison 8'0"		
All dimensions nominal before prefit and bevel.		
DW	A	B
3-0	26.5	4.75
2-10	22.5	5.75
2-8	22.5	4.75
2-6	20.5	4.75
2-4	18.5	4.75
2-2*	18.5	3.75
2-0	15.5	4.25
1-10*	15.5	3.25
1-8*	15.5	2.25
1-6	7.81	5.09
Bottom rail dimension complies with ADA requirements.		
*Contact factory regarding availability of wider stile options.		

Madison

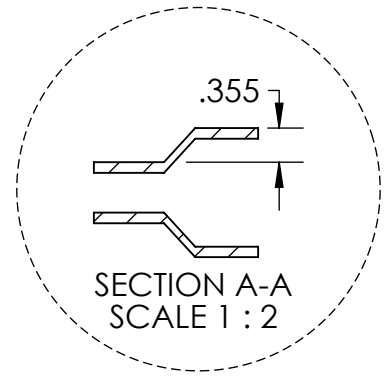
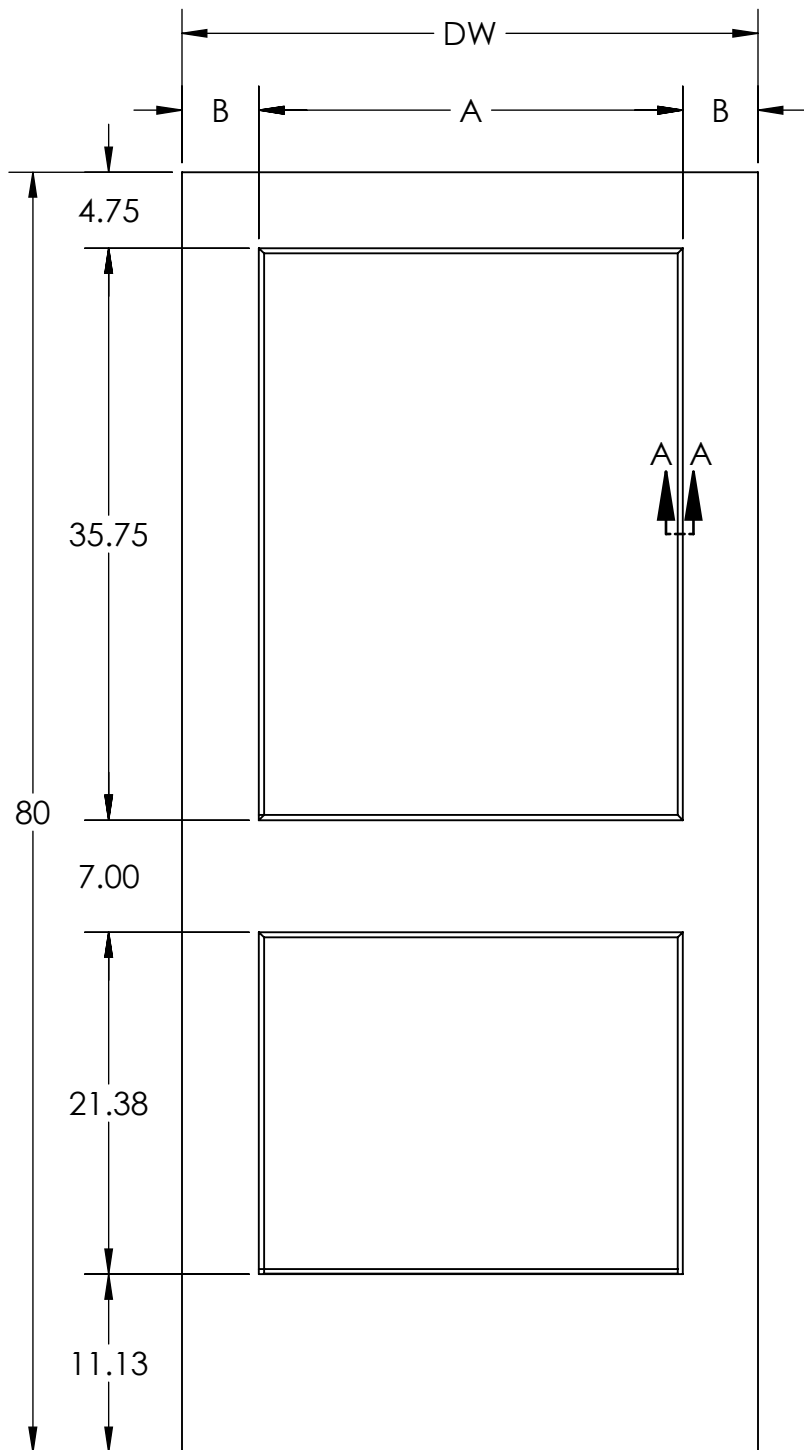
Molded Profile Door



DIMENSIONS ARE IN: inches
 DOOR TOLERANCES
 WIDTH (FULL WIDTH): ±1/16
 WIDTH (PREFIT): ±1/32
 HEIGHT: ±1/16
 SQUARE: ±1/8

THE INFORMATION CONTAINED IN THIS DRAWING IS THE SOLE PROPERTY OF Lynden Door, Inc. ANY REPRODUCTION IN PART OR AS A WHOLE WITHOUT THE WRITTEN PERMISSION OF Lynden Door, Inc. IS PROHIBITED.

A04-00040 | 11/23/16



Whitman 6'8"		
All dimensions nominal before prefit and bevel.		
DW	A	B
3-0	26.5	4.75
2-10	22.5	5.75
2-8	22.5	4.75
2-6	20.5	4.75
2-4	18.5	4.75
2-2	15.5	5.25
2-0	15.5	4.25
1-10	11.5	5.25
1-8	11.5	4.25
1-6	9.25	4.38
Bottom Rail Dimension Complies with ADA Requirements.		

Whitman

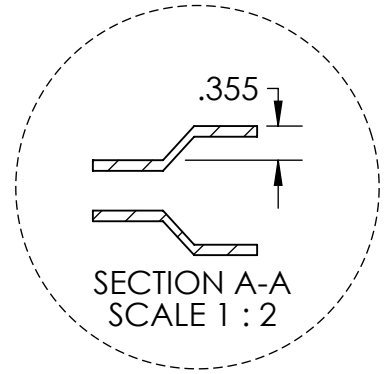
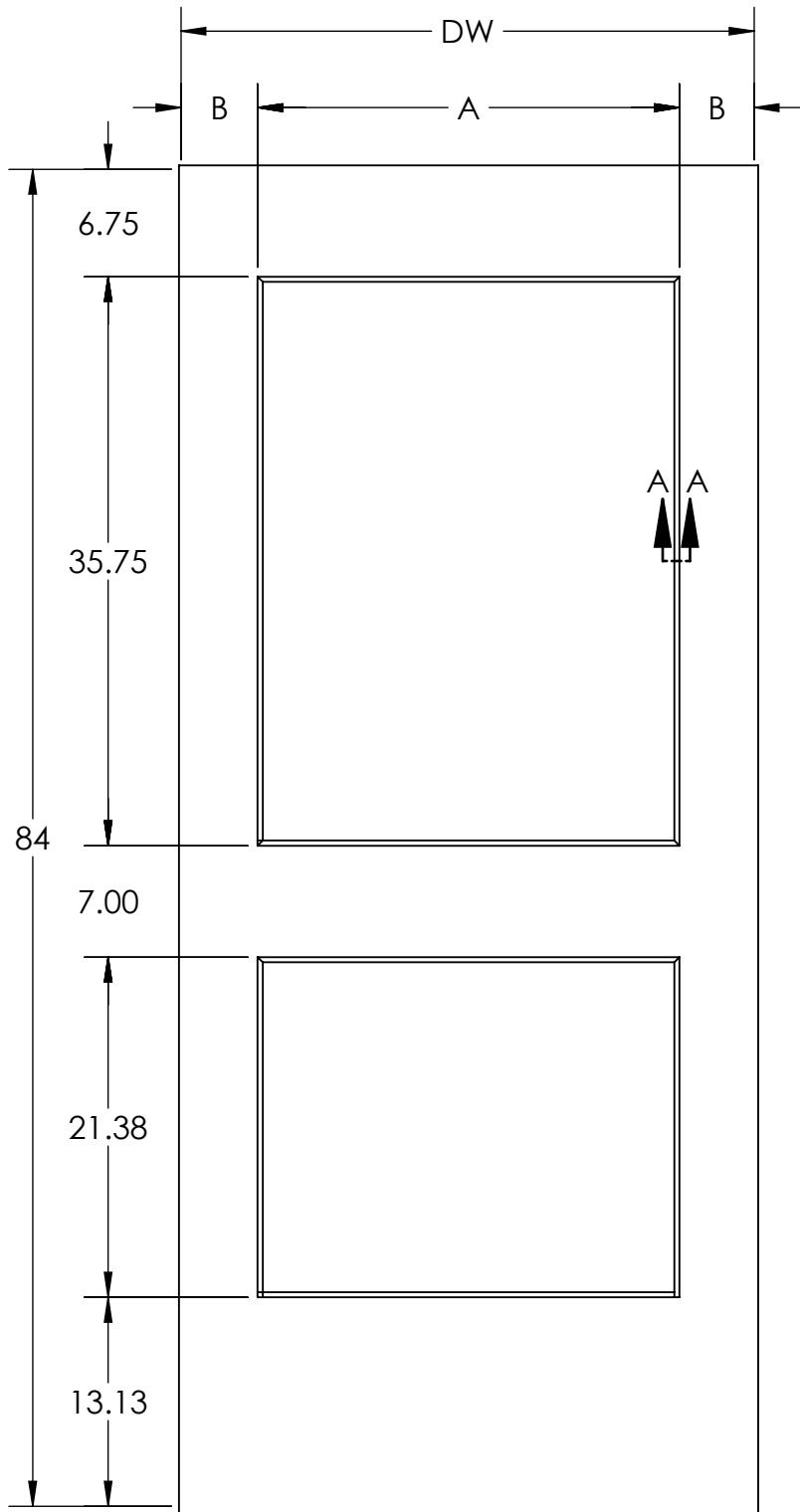
Molded Profile Door



DIMENSIONS ARE IN: Inches
 DOOR TOLERANCES
 WIDTH (FULL WIDTH): ±1/16
 WIDTH (PREFIT): ±1/32
 HEIGHT: ±1/16
 SQUARE: ±1/8

THE INFORMATION CONTAINED IN THIS DRAWING IS THE SOLE PROPERTY OF Lynden Door, Inc. ANY REPRODUCTION IN PART OR AS A WHOLE WITHOUT THE WRITTEN PERMISSION OF Lynden Door, Inc. IS PROHIBITED.

A04-00041 1/6/17



Whitman 7'0"		
All dimensions nominal before prefit and bevel.		
DW	A	B
3-0	26.5	4.75
2-10	22.5	5.75
2-8	22.5	4.75
2-6	20.5	4.75
2-4	18.5	4.75
2-2	15.5	5.25
2-0	15.5	4.25
1-10	11.5	5.25
1-8	11.5	4.25
1-6	9.25	4.38
Bottom Rail Dimension Complies with ADA Requirements.		

Whitman

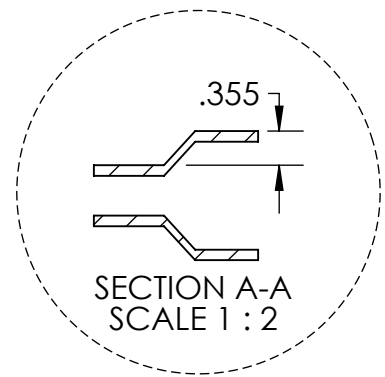
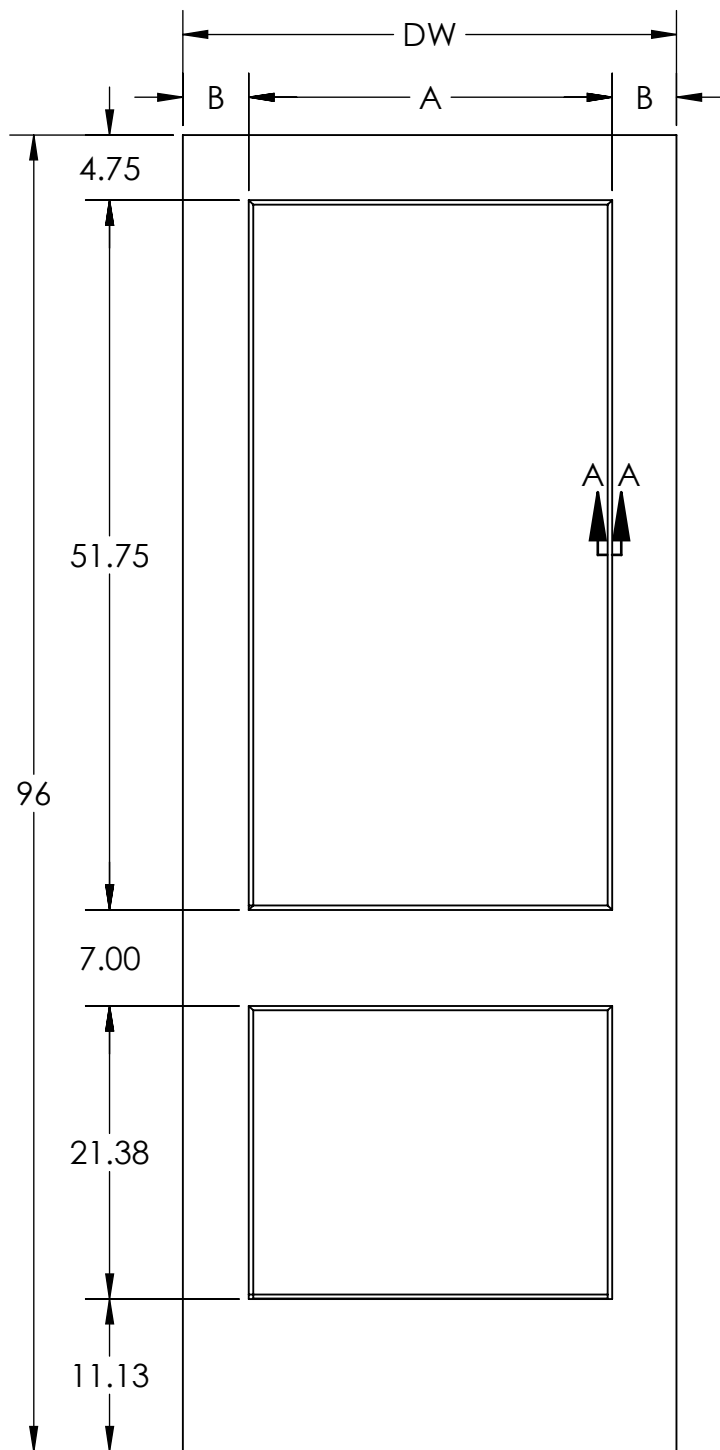
Molded Profile Door



DIMENSIONS ARE IN: Inches
 DOOR TOLERANCES
 WIDTH (FULL WIDTH): $\pm 1/16$
 WIDTH (PREFIT): $\pm 1/32$
 HEIGHT: $\pm 1/16$
 SQUARE: $\pm 1/8$

THE INFORMATION CONTAINED IN THIS DRAWING IS THE
 SOLE PROPERTY OF Lynden Door, Inc. ANY
 REPRODUCTION IN PART OR AS A WHOLE WITHOUT THE
 WRITTEN PERMISSION OF Lynden Door, Inc. IS PROHIBITED.

A04-00041 1/6/17



Whitman 8'0"		
All dimensions nominal before prefit and bevel.		
DW	A	B
3-0	26.5	4.75
2-10	22.5	5.75
2-8	22.5	4.75
2-6	20.5	4.75
2-4	18.5	4.75
2-2*	18.5	3.75
2-0	15.5	4.25
1-10*	15.5	3.25
1-8*	15.5	2.25
1-6	9.25	4.38
Bottom Rail Dimension Complies with ADA Requirements.		
*Contact factory regarding availability of wider stile options.		

Whitman

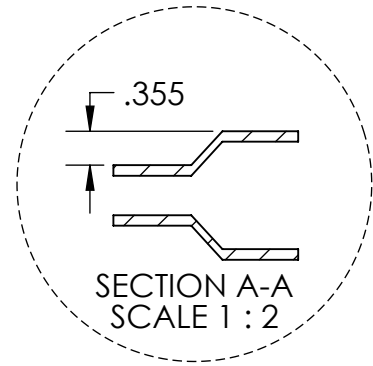
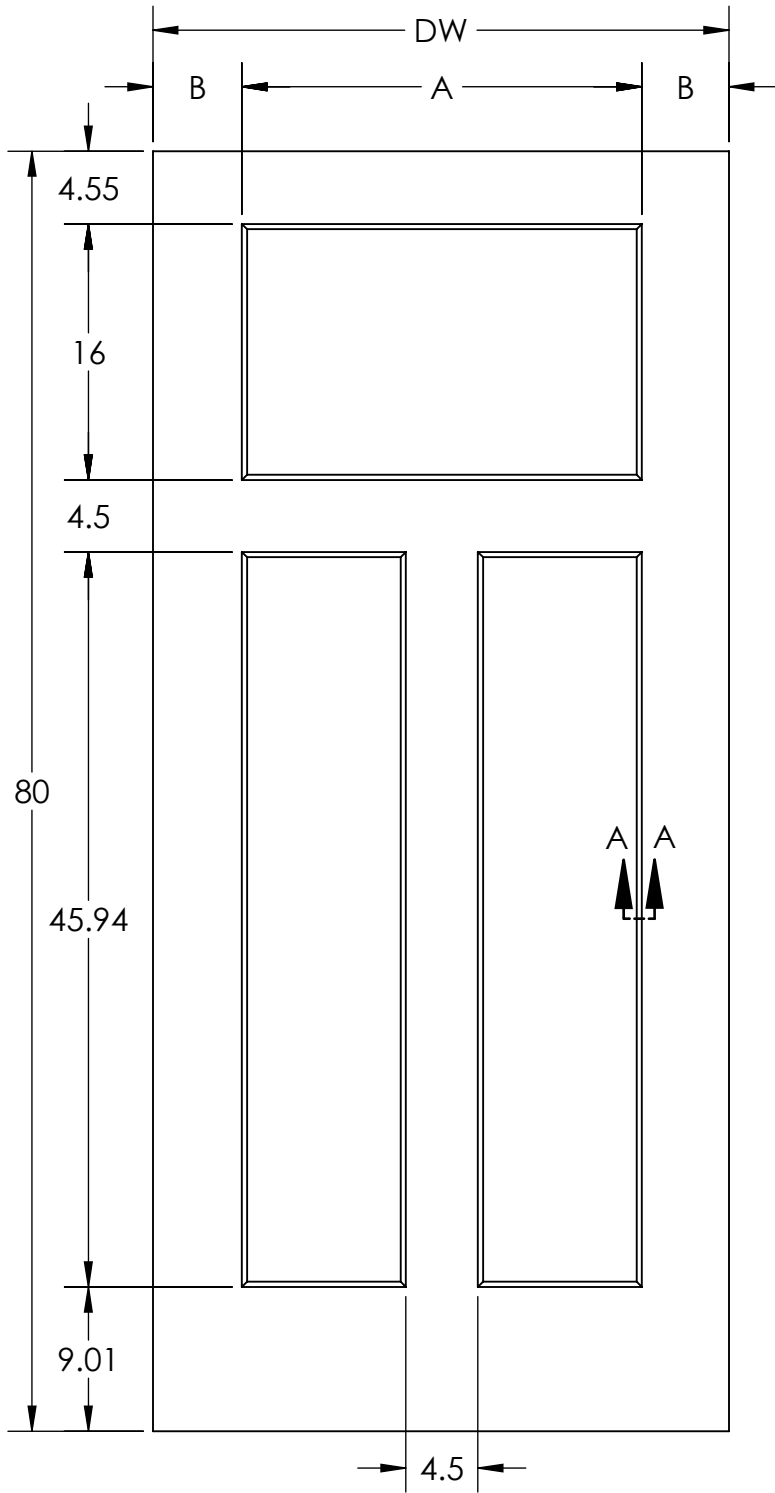
Molded Profile Door



DIMENSIONS ARE IN: Inches
 DOOR TOLERANCES
 WIDTH (FULL WIDTH): $\pm 1/16$
 WIDTH (PREFIT): $\pm 1/32$
 HEIGHT: $\pm 1/16$
 SQUARE: $\pm 1/8$

THE INFORMATION CONTAINED IN THIS DRAWING IS THE SOLE PROPERTY OF Lynden Door, Inc. ANY REPRODUCTION IN PART OR AS A WHOLE WITHOUT THE WRITTEN PERMISSION OF Lynden Door, Inc. IS PROHIBITED.

A04-00041 1/6/17



Craftsman 6'8"		
All dimensions nominal before prefit and bevel.		
DW	A	B
3-0	25	5.5
2-10	25	4.5
2-8	21	5.5
2-6	21	4.5
2-4	17	5.5
2-2	17	4.5
2-0	15	4.5
1-10*	15	3.5
Bottom rail dimension does not comply with ADA requirements.		
* Contact factory regarding availability of wider stile options.		

Craftsman

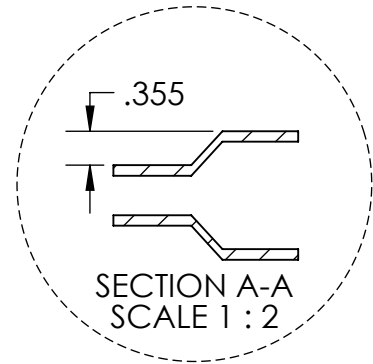
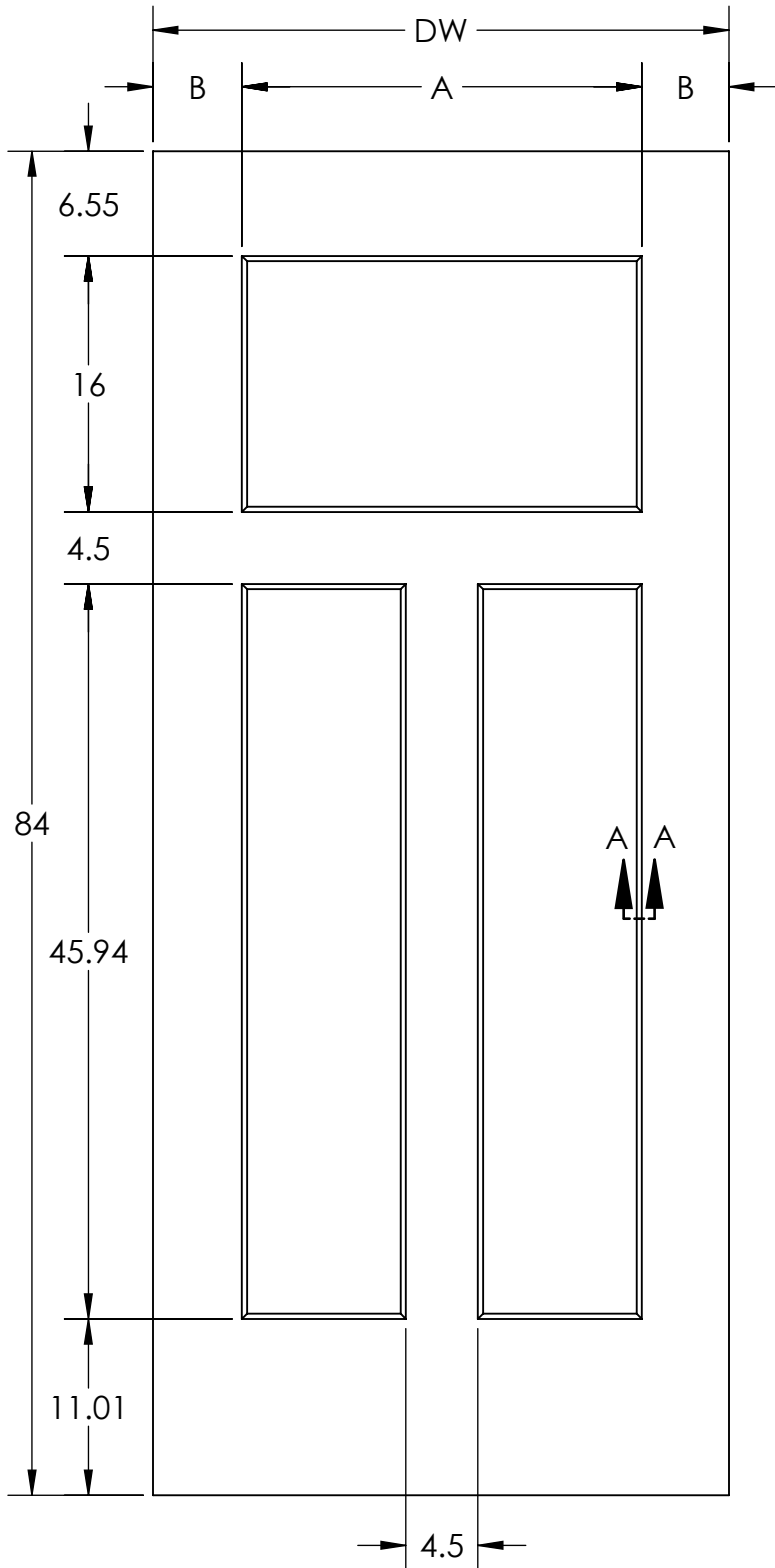
Molded Profile Door



DIMENSIONS ARE IN: inches
 DOOR TOLERANCES
 WIDTH (FULL WIDTH): ±1/16
 WIDTH (PREFIT): ±1/32
 HEIGHT: ±1/16
 SQUARE: ±1/8

THE INFORMATION CONTAINED IN THIS DRAWING IS THE SOLE PROPERTY OF Lynden Door, Inc. ANY REPRODUCTION IN PART OR AS A WHOLE WITHOUT THE WRITTEN PERMISSION OF Lynden Door, Inc. IS PROHIBITED.

A04-00049 | 11/23/16



Craftsman 7'0"		
All dimensions nominal before prefit and bevel.		
DW	A	B
3-0	25	5.5
2-10	25	4.5
2-8	21	5.5
2-6	21	4.5
2-4	17	5.5
2-2	17	4.5
2-0	15	4.5
1-10*	15	3.5
Bottom rail dimension complies with ADA requirements.		
* Contact factory regarding availability of wider stile options.		

Craftsman

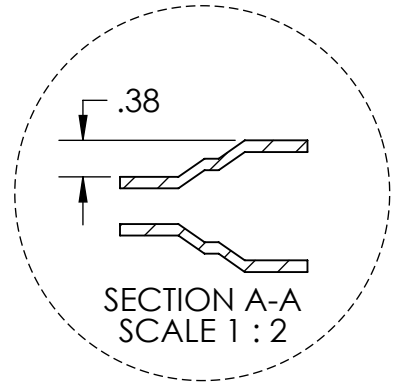
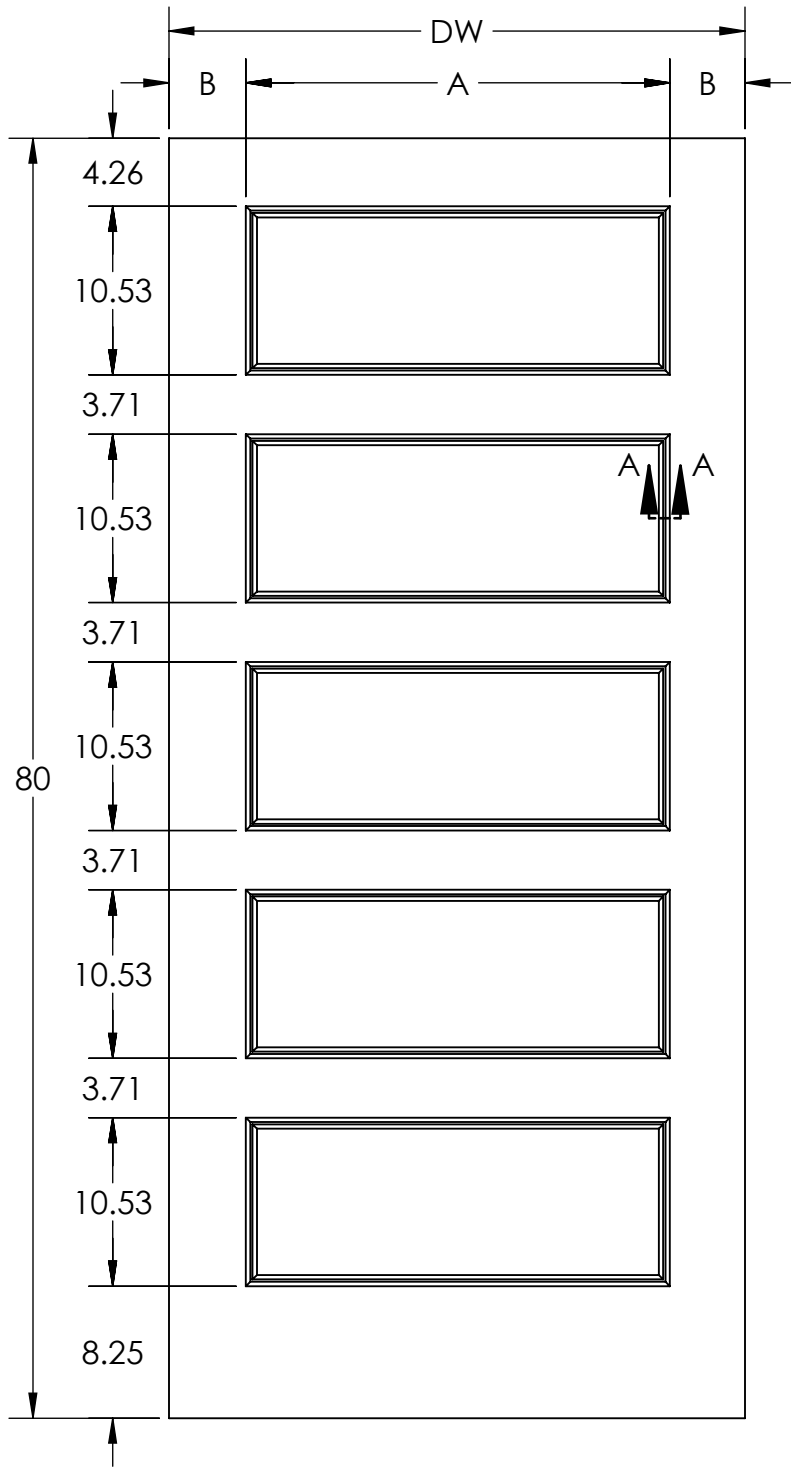
Molded Profile Door



DIMENSIONS ARE IN: inches
 DOOR TOLERANCES
 WIDTH (FULL WIDTH): ±1/16
 WIDTH (PREFIT): ±1/32
 HEIGHT: ±1/16
 SQUARE: ±1/8

THE INFORMATION CONTAINED IN THIS DRAWING IS THE SOLE PROPERTY OF Lynden Door, Inc. ANY REPRODUCTION IN PART OR AS A WHOLE WITHOUT THE WRITTEN PERMISSION OF Lynden Door, Inc. IS PROHIBITED.

A04-00049 | 11/23/16



Conmore 6'8"		
All dimensions nominal before prefit and bevel.		
DW	A	B
3-0	25.7	5.15
2-10	23.7	5.15
2-8	23.7	4.15
2-6	21.7	4.15
2-4	19.7	4.15
2-2	15.7	5.15
2-0	15.7	4.15
1-10	15.7	3.15
1-8	9.7	5.15
1-6	9.7	4.15
Bottom rail dimension does not comply with ADA requirements.		

Conmore

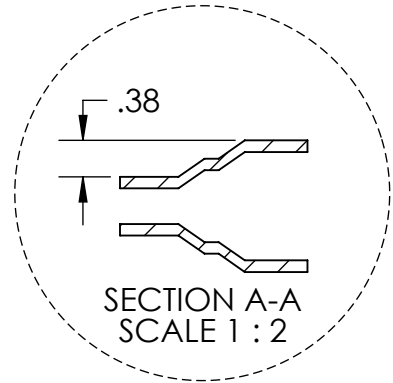
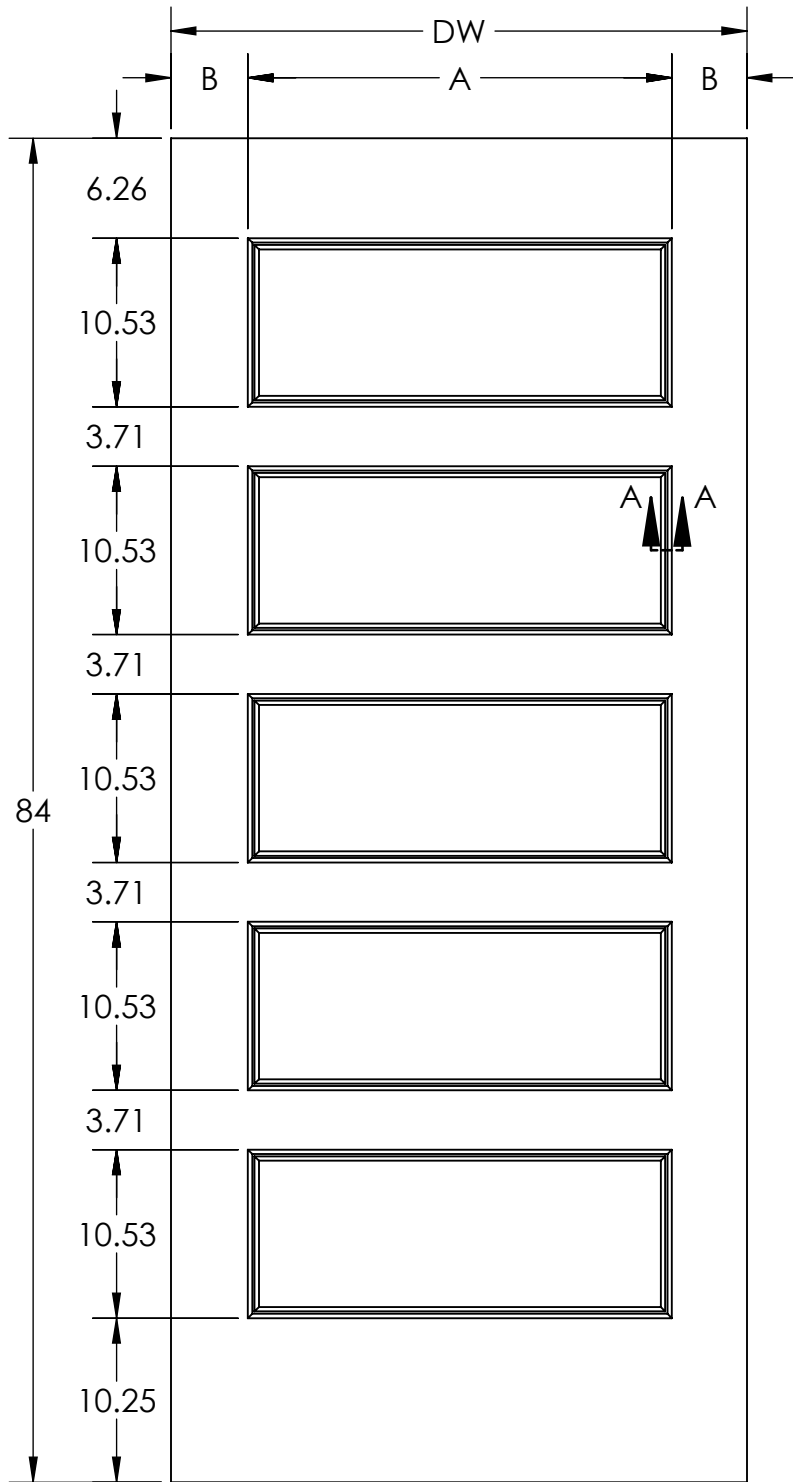
Molded Profile Door



DIMENSIONS ARE IN: Inches
 DOOR TOLERANCES
 WIDTH (FULL WIDTH): ±1/16
 WIDTH (PREFIT): ±1/32
 HEIGHT: ±1/16
 SQUARE: ±1/8

THE INFORMATION CONTAINED IN THIS DRAWING IS THE SOLE PROPERTY OF Lynden Door, Inc. ANY REPRODUCTION IN PART OR AS A WHOLE WITHOUT THE WRITTEN PERMISSION OF Lynden Door, Inc. IS PROHIBITED.

A04-00046 | 11/23/16



Conmore 7'0"		
All dimensions nominal before prefit and bevel.		
DW	A	B
3-0	25.7	5.15
2-10*	23.7	5.15
2-8*	23.7	4.15
2-6	21.7	4.15
2-4*	19.7	4.15
2-2*	15.7	5.15
2-0*	15.7	4.15
1-10*	15.7	3.15
1-8*	9.7	5.15
1-6*	9.7	4.15
Bottom rail dimension complies with ADA requirements.		
* Non-Stock, Contact factory for pricing and availability.		

Conmore

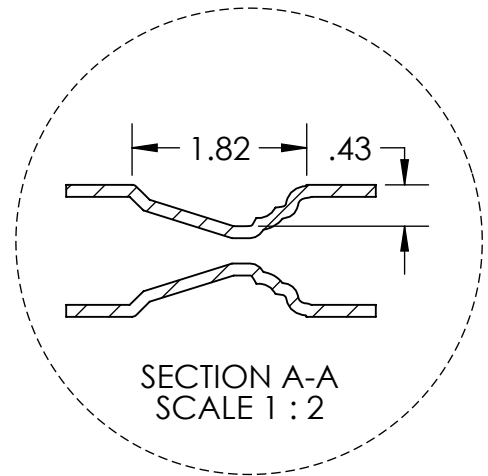
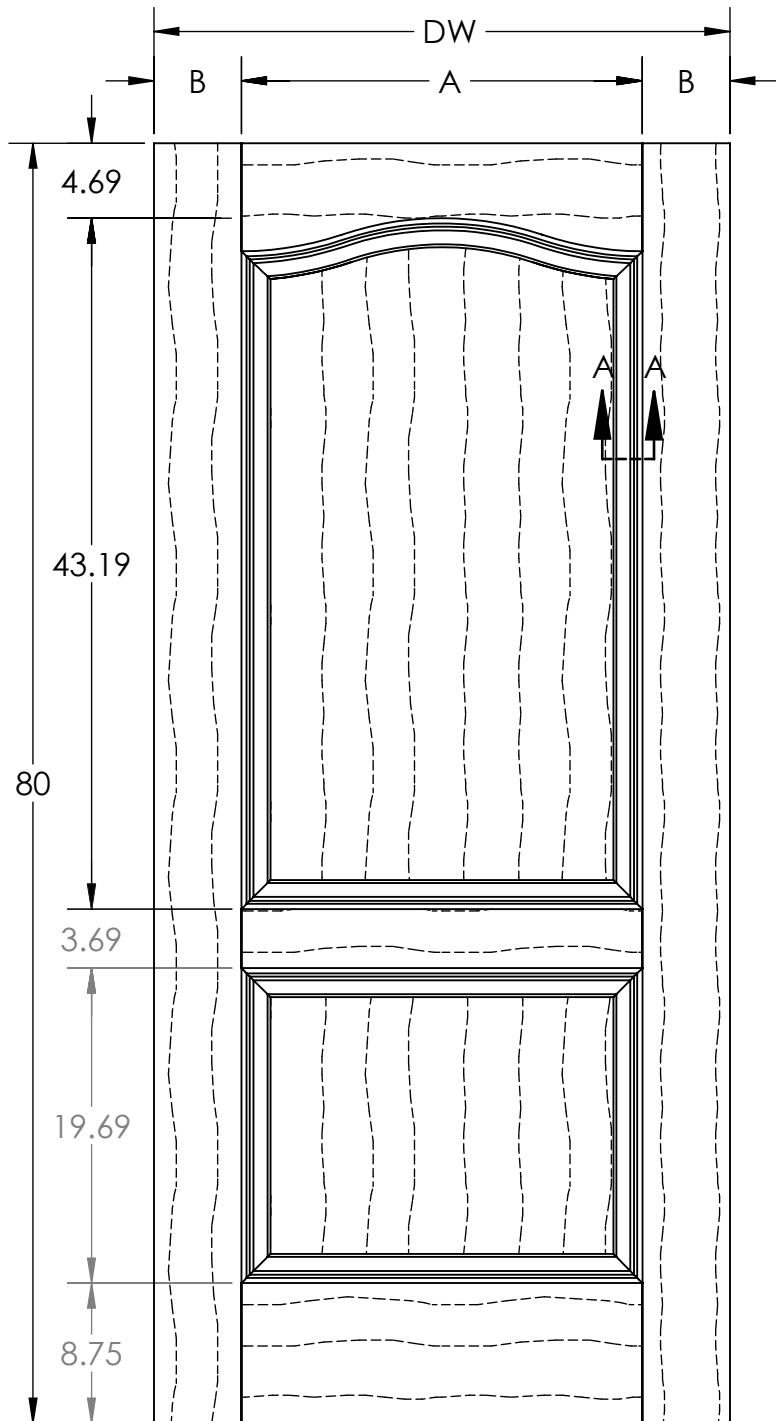
Molded Profile Door



DIMENSIONS ARE IN: Inches
 DOOR TOLERANCES
 WIDTH (FULL WIDTH): ±1/16
 WIDTH (PREFIT): ±1/32
 HEIGHT: ±1/16
 SQUARE: ±1/8

THE INFORMATION CONTAINED IN THIS DRAWING IS THE SOLE PROPERTY OF Lynden Door, Inc. ANY REPRODUCTION IN PART OR AS A WHOLE WITHOUT THE WRITTEN PERMISSION OF Lynden Door, Inc. IS PROHIBITED.

A04-00046 | 11/23/16



Classique 6'8"		
All dimensions nominal before prefit and bevel.		
DW	A	B
3-0	25	5.5
2-10	22.81	5.59
2-8	22.81	4.59
2-6	19.56	5.21
2-4	18.12	4.93
2-2	14.93	5.53
2-0	14.93	4.53
1-10	14.93	3.53
1-8	9.5	5.25
1-6	9.5	4.25

Bottom rail dimension does not comply with ADA requirements.

Classique

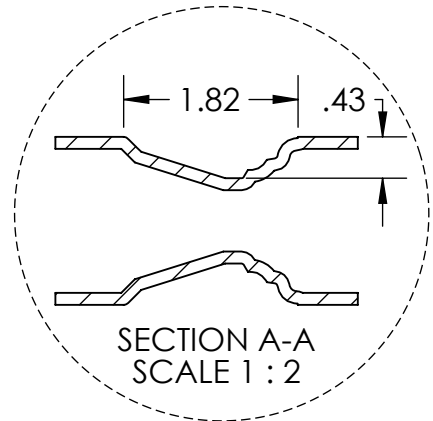
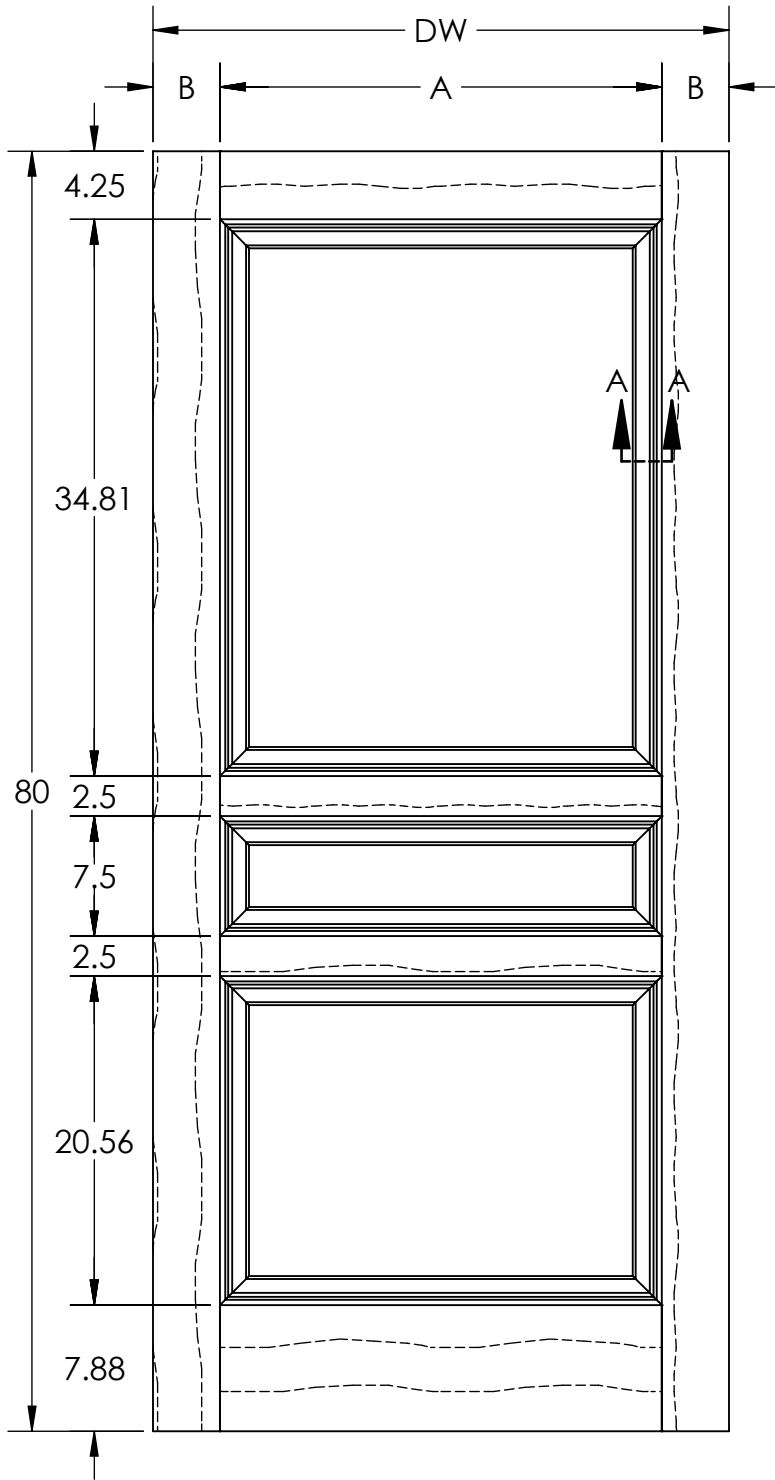
Molded Profile Door



DIMENSIONS ARE IN: Inches
 DOOR TOLERANCES
 WIDTH (FULL WIDTH): ±1/16
 WIDTH (PREFIT): ±1/32
 HEIGHT: ±1/16
 SQUARE: ±1/8

THE INFORMATION CONTAINED IN THIS DRAWING IS THE SOLE PROPERTY OF Lynden Door, Inc. ANY REPRODUCTION IN PART OR AS A WHOLE WITHOUT THE WRITTEN PERMISSION OF Lynden Door, Inc. IS PROHIBITED.

A04-00036 | 11/23/16



Clermont 6'8"		
All dimensions nominal before prefit and bevel.		
DW	A	B
3-0	27.62	4.19
2-10	23.62	5.19
2-8	23.62	4.19
2-6	21.62	4.19
2-4	19.62	4.19
2-2	19.62	3.19
2-0	15.62	4.19
1-10	15.62	3.19
1-8	8.75	5.62
1-6	8.75	4.62
Bottom rail dimension does not comply with ADA requirements.		

Clermont

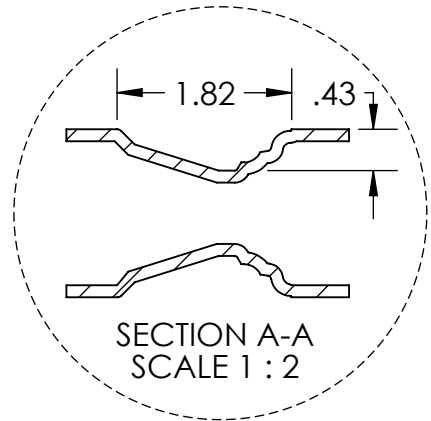
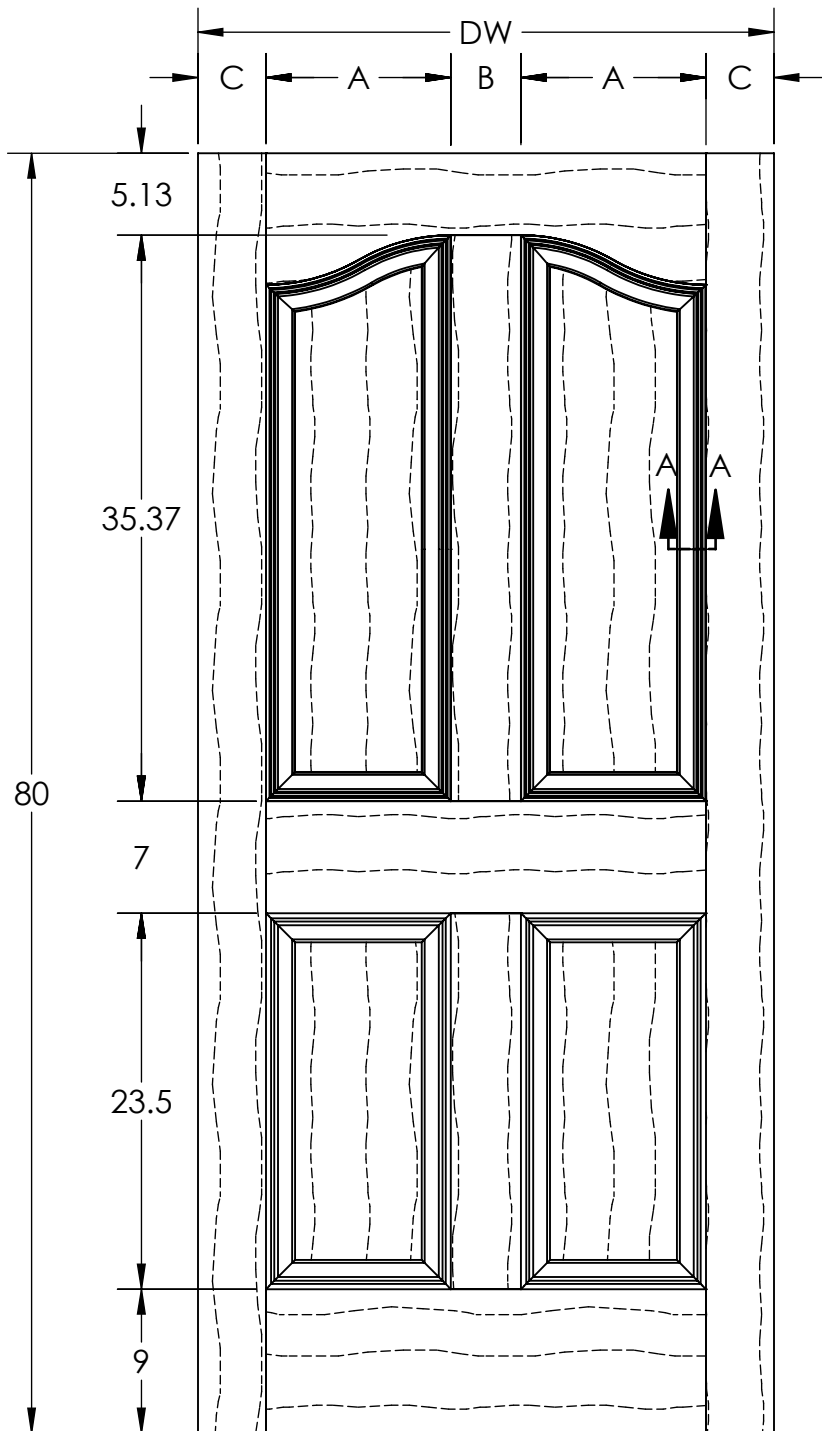
Molded Profile Door



DIMENSIONS ARE IN: Inches
 DOOR TOLERANCES
 WIDTH (FULL WIDTH): $\pm 1/16$
 WIDTH (PREFIT): $\pm 1/32$
 HEIGHT: $\pm 1/16$
 SQUARE: $\pm 1/8$

THE INFORMATION CONTAINED IN THIS DRAWING IS THE SOLE PROPERTY OF Lynden Door, Inc. ANY REPRODUCTION IN PART OR AS A WHOLE WITHOUT THE WRITTEN PERMISSION OF Lynden Door, Inc. IS PROHIBITED.

A04-00037 07/11/16



Carmelle 6'8"			
All dimensions nominal before prefit and bevel.			
DW	A	B	C
3-0	11.56	4.38	4.25
2-10	10.56	4.38	4.25
2-8	9.56	4.38	4.25
2-6	8.56	4.38	4.25
2-4	7.56	4.38	4.25
2-2	7.56	4.38	3.25
2-0	5.56	4.38	4.25
1-10	5.56	4.38	3.25
Bottom rail dimension does not comply with ADA requirements.			

Carmelle

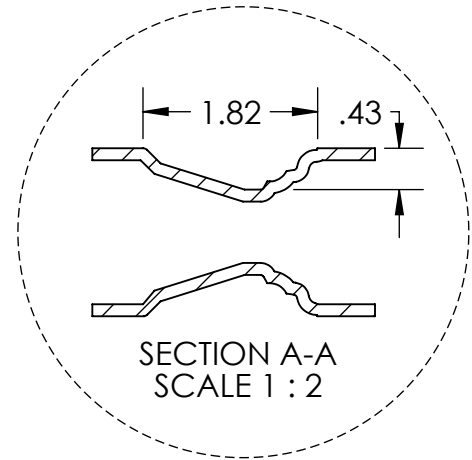
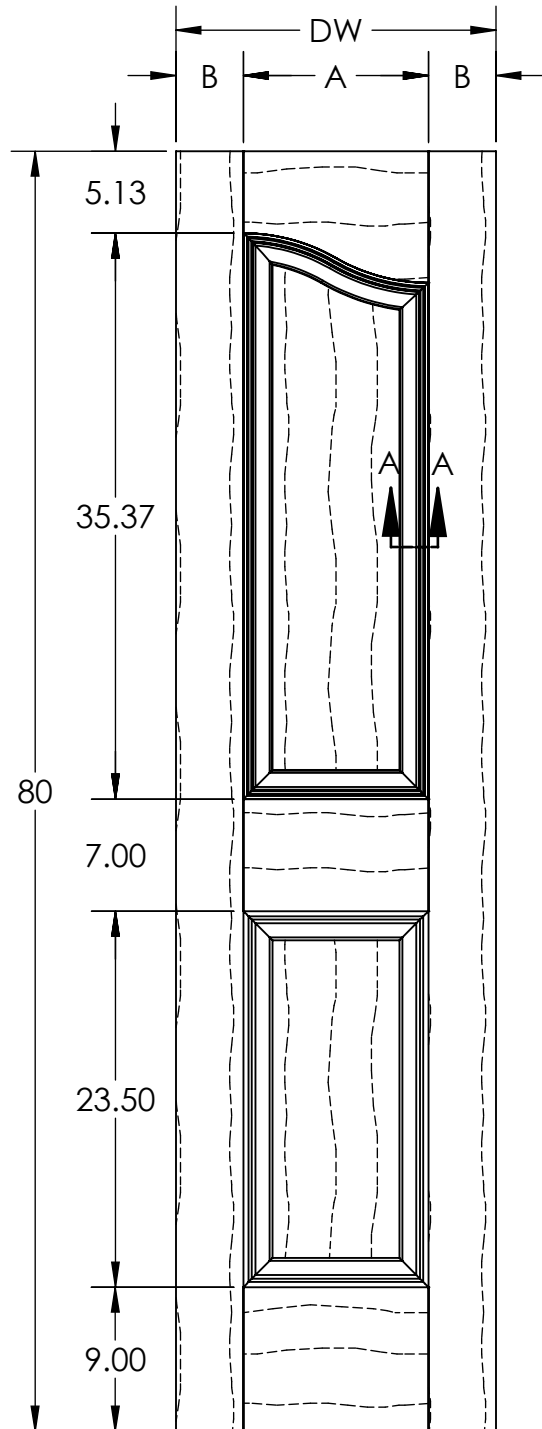
Molded Profile Door



DIMENSIONS ARE IN: inches
 DOOR TOLERANCES
 WIDTH (FULL WIDTH): $\pm 1/16$
 WIDTH (PREFIT): $\pm 1/32$
 HEIGHT: $\pm 1/16$
 SQUARE: $\pm 1/8$

THE INFORMATION CONTAINED IN THIS DRAWING IS THE SOLE PROPERTY OF Lynden Door, Inc. ANY REPRODUCTION IN PART OR AS A WHOLE WITHOUT THE WRITTEN PERMISSION OF Lynden Door, Inc. IS PROHIBITED.

A04-00038 05/02/16



Carmelle 6'8"		
All dimensions nominal before prefit and bevel.		
DW	A	B
1-8	11.56	5.22
1-6	11.56	4.22
Bottom rail dimension does not comply with ADA requirements.		

Carmelle

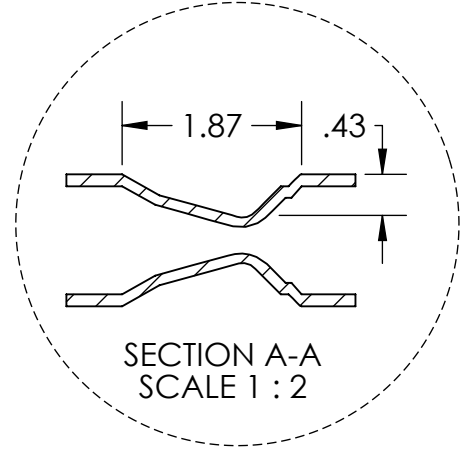
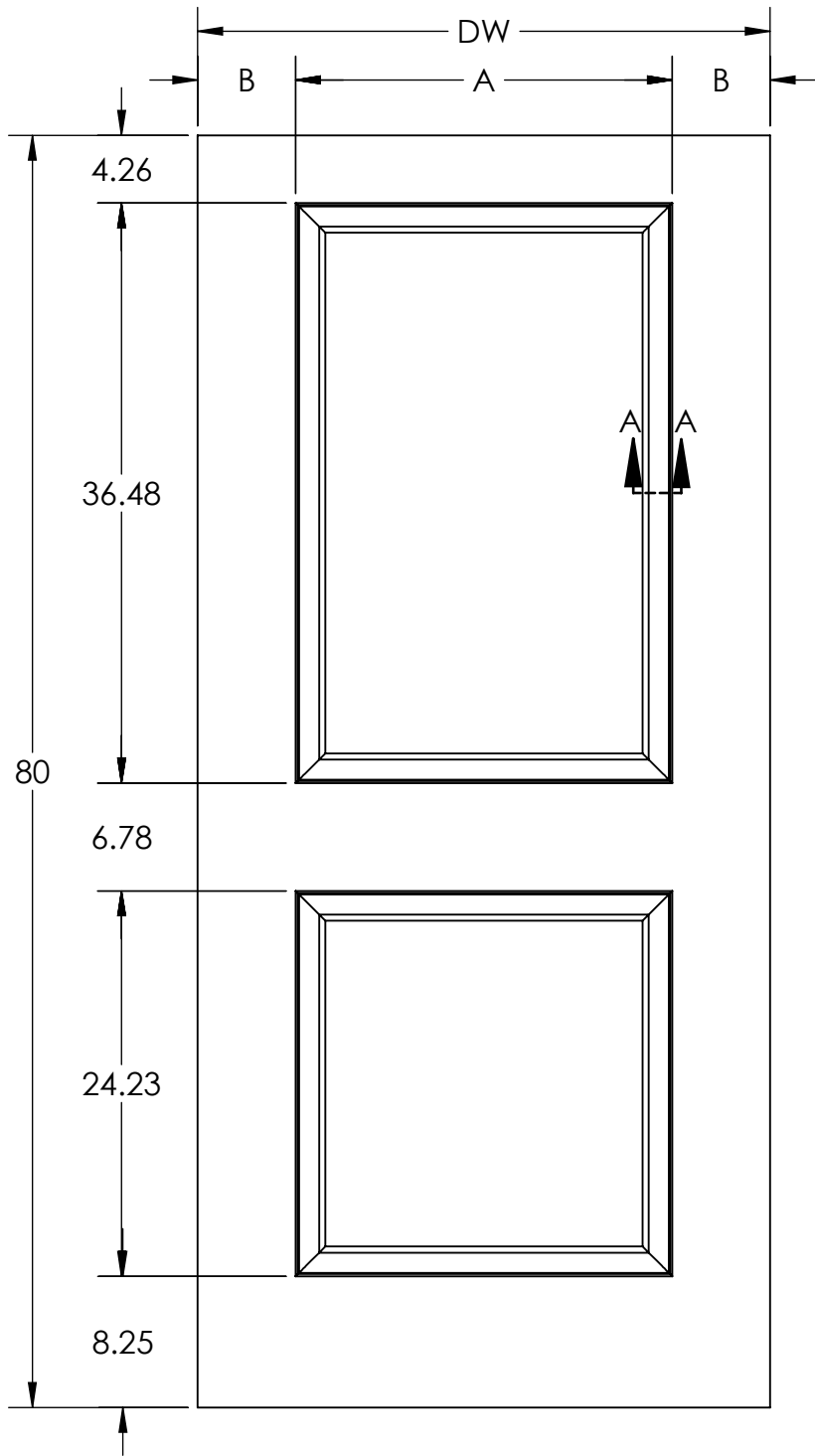
Molded Profile Door



DIMENSIONS ARE IN: inches
 DOOR TOLERANCES
 WIDTH (FULL WIDTH): $\pm 1/16$
 WIDTH (PREFIT): $\pm 1/32$
 HEIGHT: $\pm 1/16$
 SQUARE: $\pm 1/8$

THE INFORMATION CONTAINED IN THIS DRAWING IS THE SOLE PROPERTY OF Lynden Door, Inc. ANY REPRODUCTION IN PART OR AS A WHOLE WITHOUT THE WRITTEN PERMISSION OF Lynden Door, Inc. IS PROHIBITED.

A04-00038 05/02/16



Carrara 6'8"		
All dimensions nominal before prefit and bevel.		
DW	A	B
3-0	23.69	6.15
2-10	21.69	6.15
2-8	21.69	5.15
2-6	19.69	5.15
2-4	17.69	5.15
2-2	15.69	5.15
2-0	15.69	4.15
1-10	15.69	3.15
1-8	11.96	4.02
1-6	11.96	3.02
1-4	7.08	4.46

Bottom rail dimension does not comply with ADA requirements.

Carrara

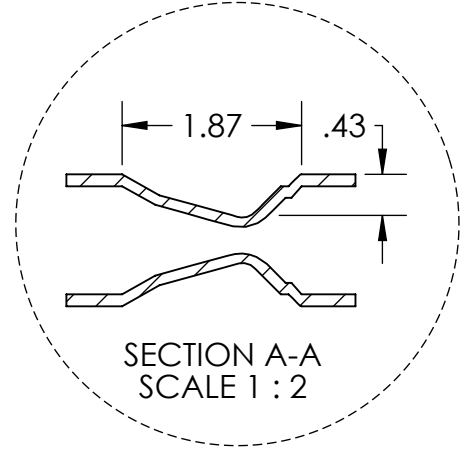
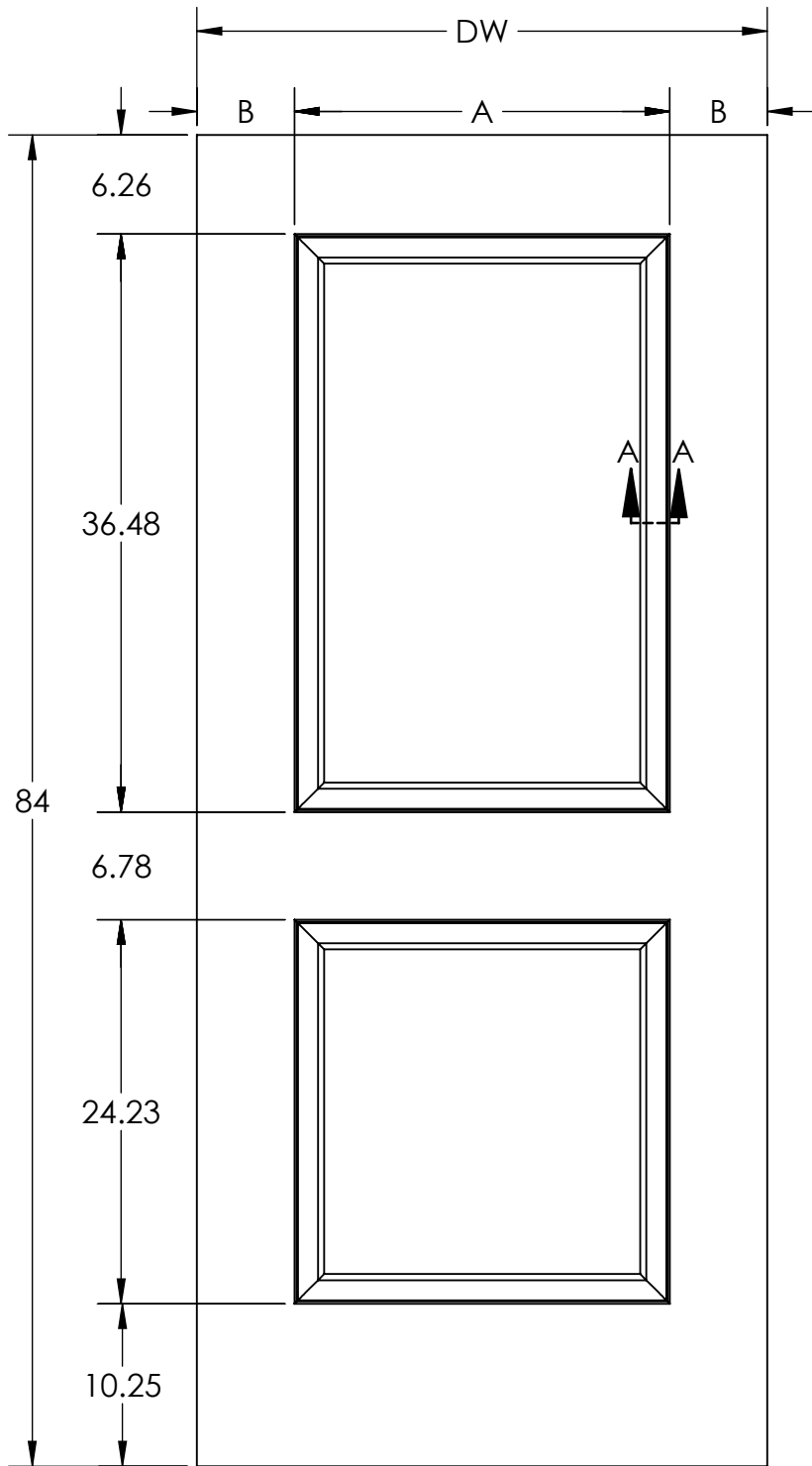
Molded Profile Door



DIMENSIONS ARE IN: Inches
 DOOR TOLERANCES
 WIDTH (FULL WIDTH): $\pm 1/16$
 WIDTH (PREFIT): $\pm 1/32$
 HEIGHT: $\pm 1/16$
 SQUARE: $\pm 1/8$

THE INFORMATION CONTAINED IN THIS DRAWING IS THE SOLE PROPERTY OF Lynden Door, Inc. ANY REPRODUCTION IN PART OR AS A WHOLE WITHOUT THE WRITTEN PERMISSION OF Lynden Door, Inc. IS PROHIBITED.

A04-00043 | 11/23/16



Carrara 7'0"		
All dimensions nominal before prefit and bevel.		
DW	A	B
3-0	23.69	6.15
2-10	21.69	6.15
2-8	21.69	5.15
2-6	19.69	5.15
2-4	17.69	5.15
2-2	15.69	5.15
2-0	15.69	4.15
1-10	15.69	3.15
1-8	11.96	4.02
1-6	11.96	3.02
1-4*	7.08	4.46
Bottom rail dimension complies with ADA requirements.		
* Non-Stock, Contact factory for pricing and availability.		

Carrara

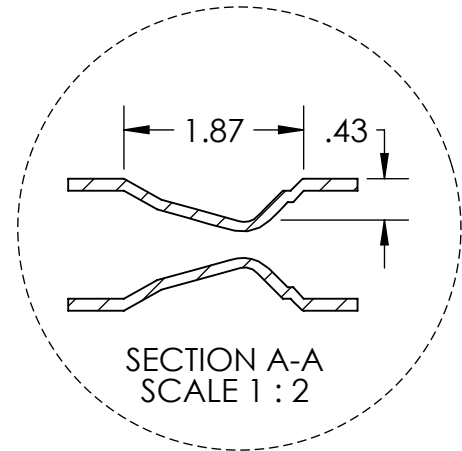
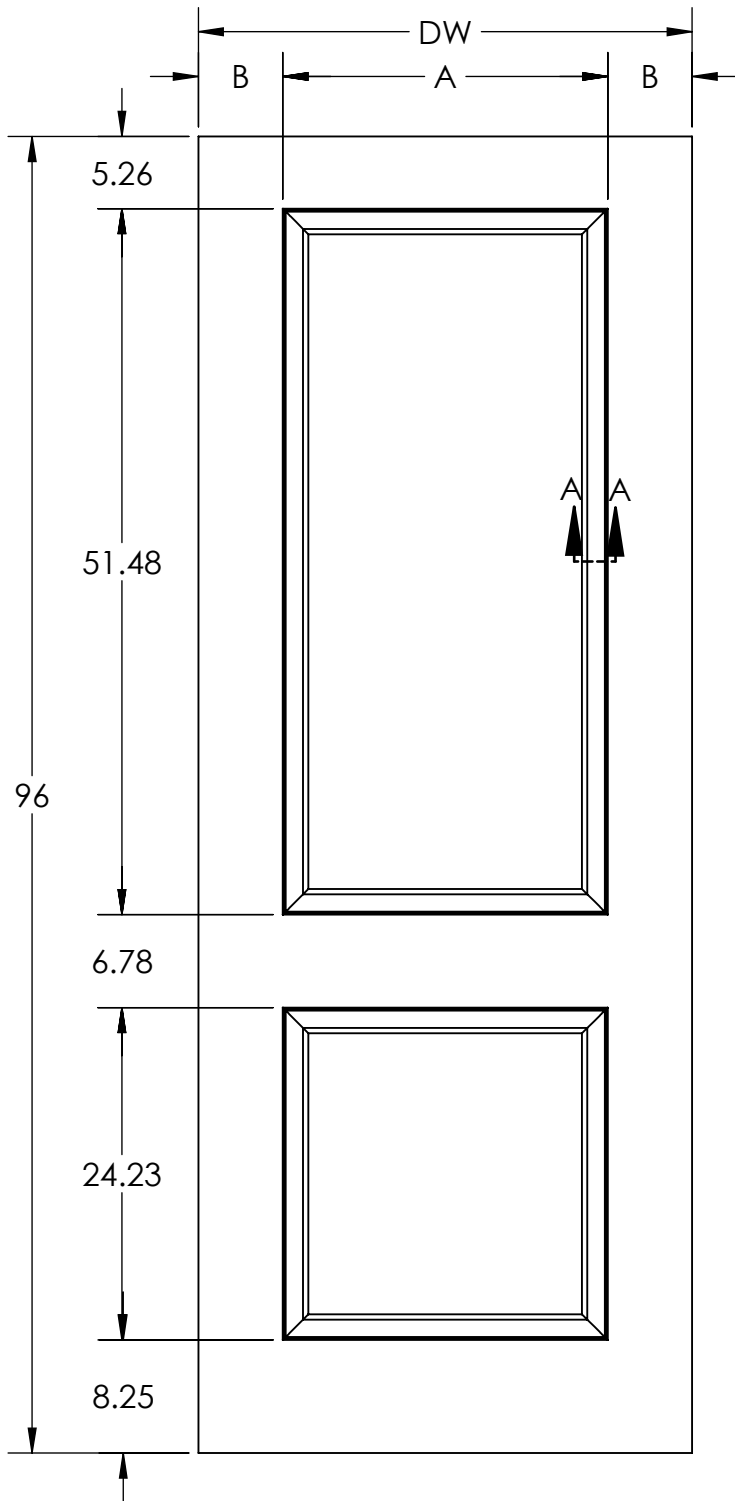
Molded Profile Door



DIMENSIONS ARE IN: Inches
 DOOR TOLERANCES
 WIDTH (FULL WIDTH): $\pm 1/16$
 WIDTH (PREFIT): $\pm 1/32$
 HEIGHT: $\pm 1/16$
 SQUARE: $\pm 1/8$

THE INFORMATION CONTAINED IN THIS DRAWING IS THE SOLE PROPERTY OF Lynden Door, Inc. ANY REPRODUCTION IN PART OR AS A WHOLE WITHOUT THE WRITTEN PERMISSION OF Lynden Door, Inc. IS PROHIBITED.

A04-00043 | 11/23/16



Carrara 8'0"		
All dimensions nominal before prefit and bevel.		
DW	A	B
3-0	23.69	6.15
2-10*	23.69	5.15
2-8	21.69	5.15
2-6	19.69	5.15
2-4	17.69	5.15
2-2	17.69	4.15
2-0	15.69	4.15
1-10	15.69	3.15
1-8	11.96	4.02
1-6	11.96	3.02
Bottom rail dimension does not comply with ADA requirements.		
* Contact factory regarding availability of wider stile options.		

Carrara

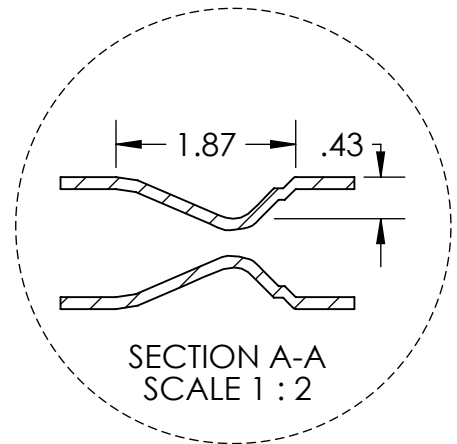
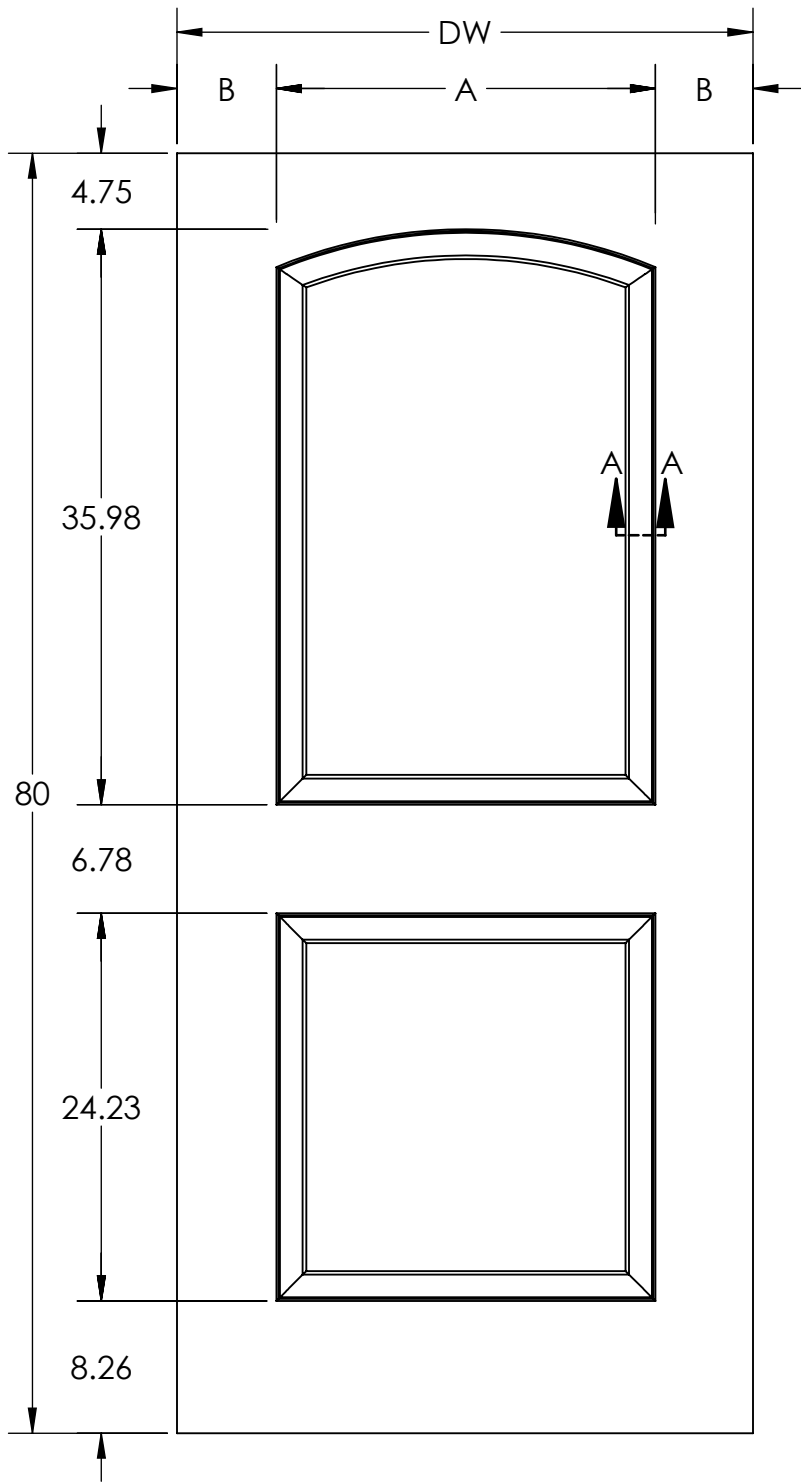
Molded Profile Door



DIMENSIONS ARE IN: Inches
 DOOR TOLERANCES
 WIDTH (FULL WIDTH): $\pm 1/16$
 WIDTH (PREFIT): $\pm 1/32$
 HEIGHT: $\pm 1/16$
 SQUARE: $\pm 1/8$

THE INFORMATION CONTAINED IN THIS DRAWING IS THE SOLE PROPERTY OF Lynden Door, Inc. ANY REPRODUCTION IN PART OR AS A WHOLE WITHOUT THE WRITTEN PERMISSION OF Lynden Door, Inc. IS PROHIBITED.

A04-00043 | 11/23/16



Caiman 6'8"		
All dimensions nominal before prefit and bevel.		
DW	A	B
3-0	23.69	6.15
2-10	21.69	6.15
2-8	21.69	5.15
2-6	19.69	5.15
2-4	17.69	5.15
2-2	15.69	5.15
2-0	15.69	4.15
1-10	15.69	3.15
1-8	11.96	4.02
1-6	11.96	3.02
1-4	7.08	4.46
Bottom rail dimension does not comply with ADA requirements.		

Caiman

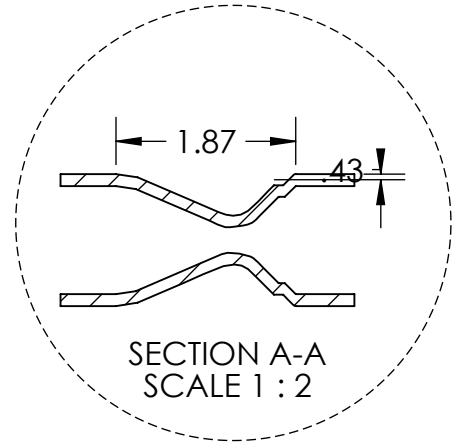
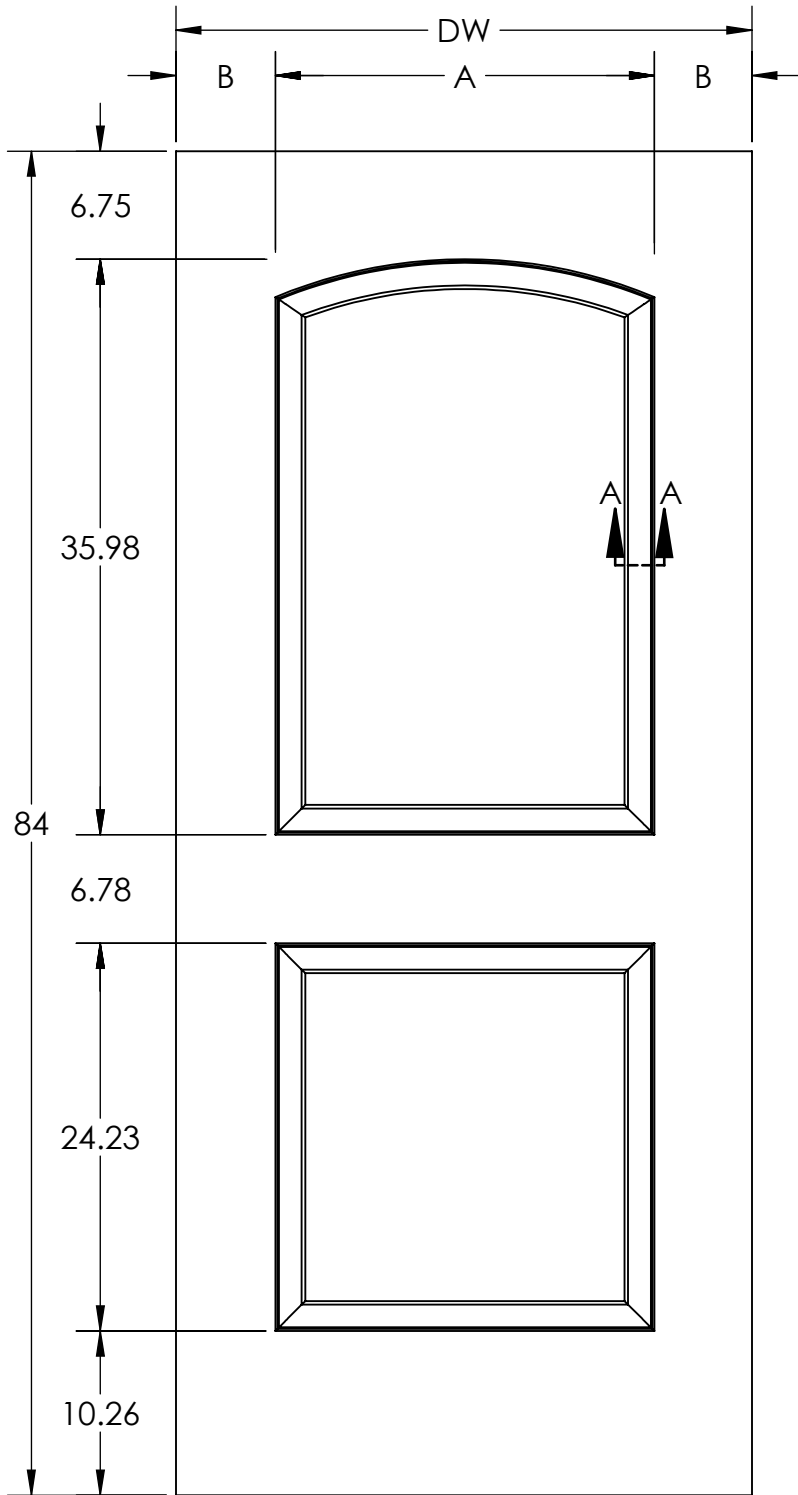
Molded Profile Door



DIMENSIONS ARE IN: Inches
 DOOR TOLERANCES
 WIDTH (FULL WIDTH): ±1/16
 WIDTH (PREFIT): ±1/32
 HEIGHT: ±1/16
 SQUARE: ±1/8

THE INFORMATION CONTAINED IN THIS DRAWING IS THE SOLE PROPERTY OF Lynden Door, Inc. ANY REPRODUCTION IN PART OR AS A WHOLE WITHOUT THE WRITTEN PERMISSION OF Lynden Door, Inc. IS PROHIBITED.

A04-00042 | 11/23/16



Caiman 7'0"		
All dimensions nominal before prefit and bevel.		
DW	A	B
3-0	23.69	6.15
2-10	21.69	6.15
2-8	21.69	5.15
2-6	19.69	5.15
2-4	17.69	5.15
2-2*	17.69	4.15
2-0	15.69	4.15
1-10	15.69	3.15
1-8	11.96	4.02
1-6	11.96	3.02
1-4**	7.08	4.46
Bottom rail dimension complies with ADA requirements.		
* Contact factory regarding availability of wider stile options.		
** Non-Stock, Contact factory for pricing and availability.		

Caiman

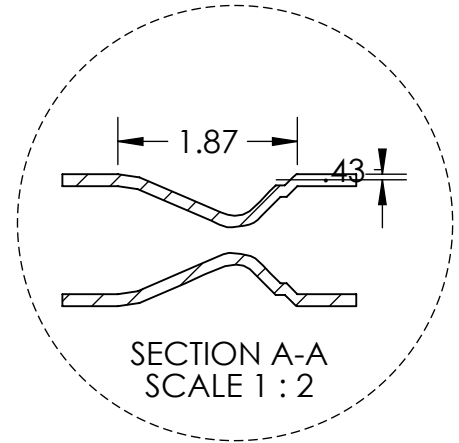
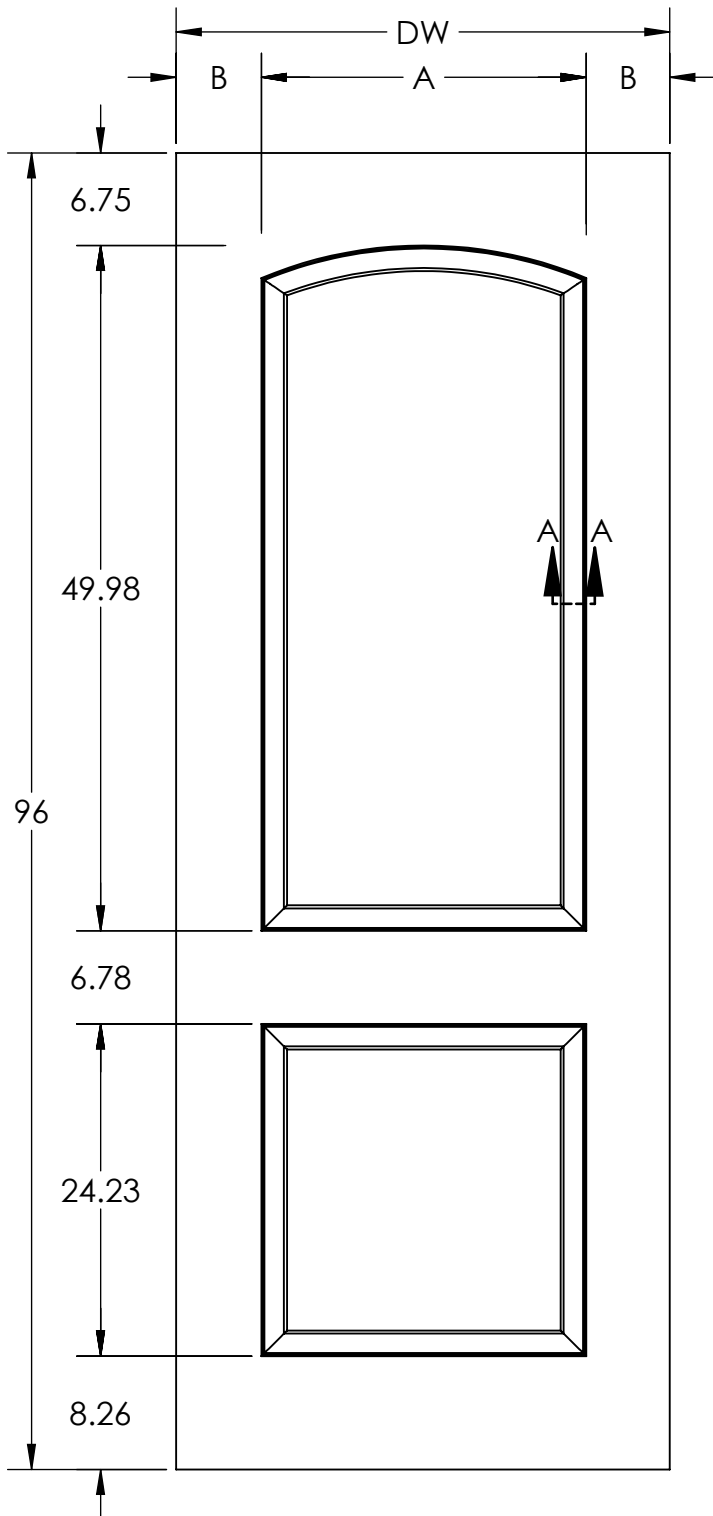
Molded Profile Door



DIMENSIONS ARE IN: Inches
 DOOR TOLERANCES
 WIDTH (FULL WIDTH): ±1/16
 WIDTH (PREFIT): ±1/32
 HEIGHT: ±1/16
 SQUARE: ±1/8

THE INFORMATION CONTAINED IN THIS DRAWING IS THE SOLE PROPERTY OF Lynden Door, Inc. ANY REPRODUCTION IN PART OR AS A WHOLE WITHOUT THE WRITTEN PERMISSION OF Lynden Door, Inc. IS PROHIBITED.

A04-00042 | 11/23/16



Caiman 8'0"		
All dimensions nominal before prefit and bevel.		
DW	A	B
3-0	23.69	6.15
2-10	21.69	6.15
2-8	21.69	5.15
2-6	19.69	5.15
2-4	17.69	5.15
2-2	15.69	5.15
2-0	15.69	4.15
1-10	15.69	3.15
1-8	11.96	4.02
1-6	11.96	3.02

Bottom rail dimension does not comply with ADA requirements.

Caiman

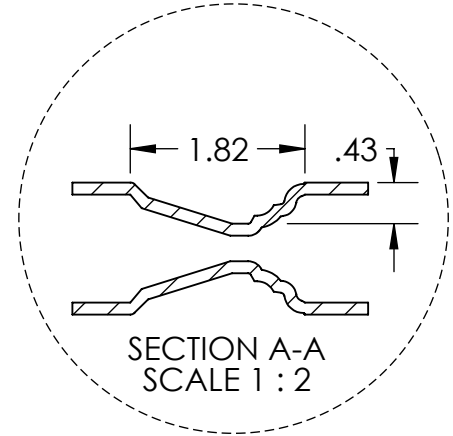
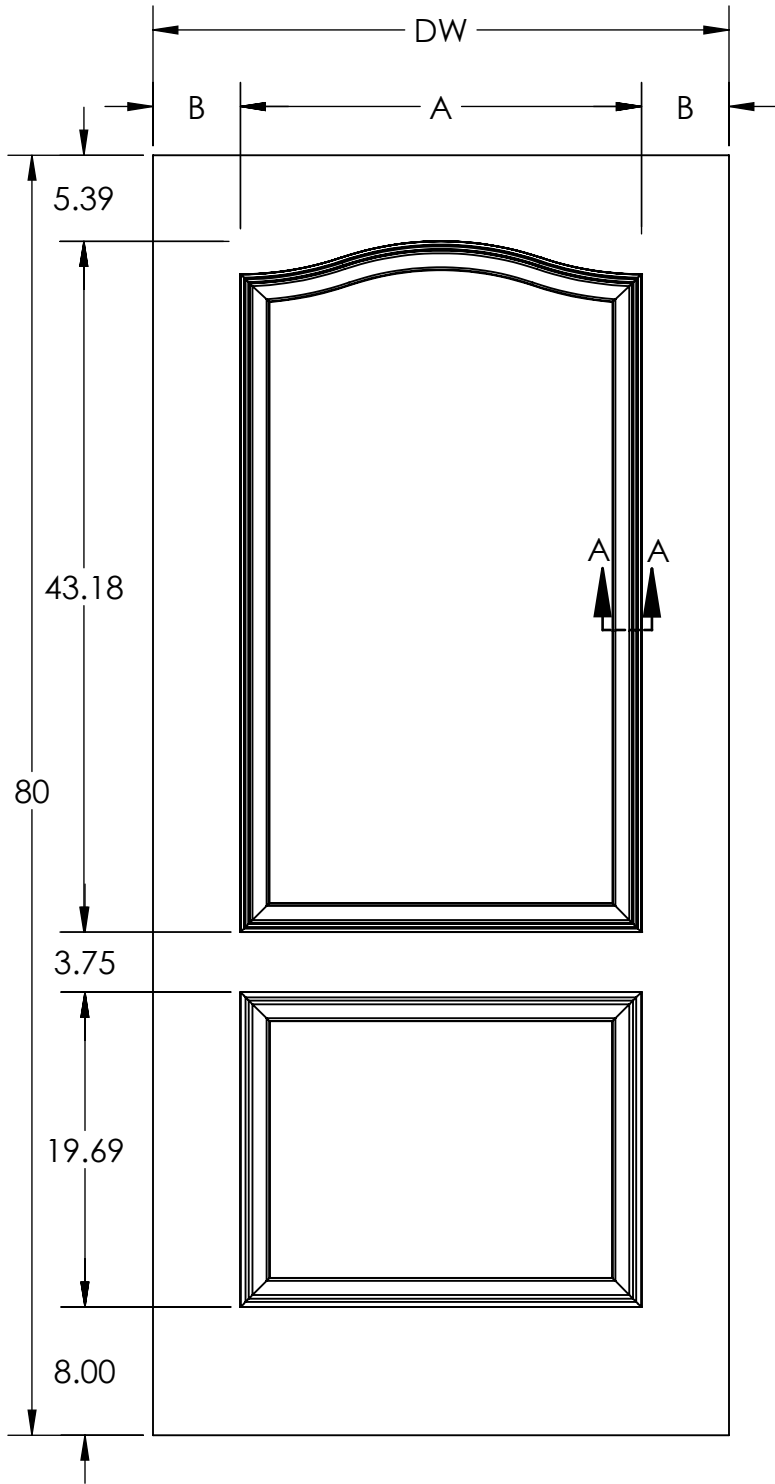
Molded Profile Door



DIMENSIONS ARE IN: inches
 DOOR TOLERANCES
 WIDTH (FULL WIDTH): ±1/16
 WIDTH (PREFIT): ±1/32
 HEIGHT: ±1/16
 SQUARE: ±1/8

THE INFORMATION CONTAINED IN THIS DRAWING IS THE SOLE PROPERTY OF Lynden Door, Inc. ANY REPRODUCTION IN PART OR AS A WHOLE WITHOUT THE WRITTEN PERMISSION OF Lynden Door, Inc. IS PROHIBITED.

A04-00042 | 11/23/16



Cremona 6'8"		
All dimensions nominal before prefit and bevel.		
DW	A	B
3-0	25	5.5
2-10	22.81	5.59
2-8	22.81	4.59
2-6	19.56	5.21
2-4	18.12	4.93
2-2	18.12	3.93
2-0	14.93	4.53
1-10	14.93	3.53
1-8	9.5	5.25
1-6	9.5	4.25
Bottom rail dimension does not comply with ADA requirements.		

Cremona

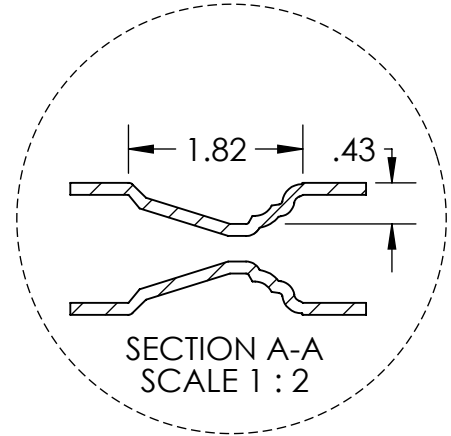
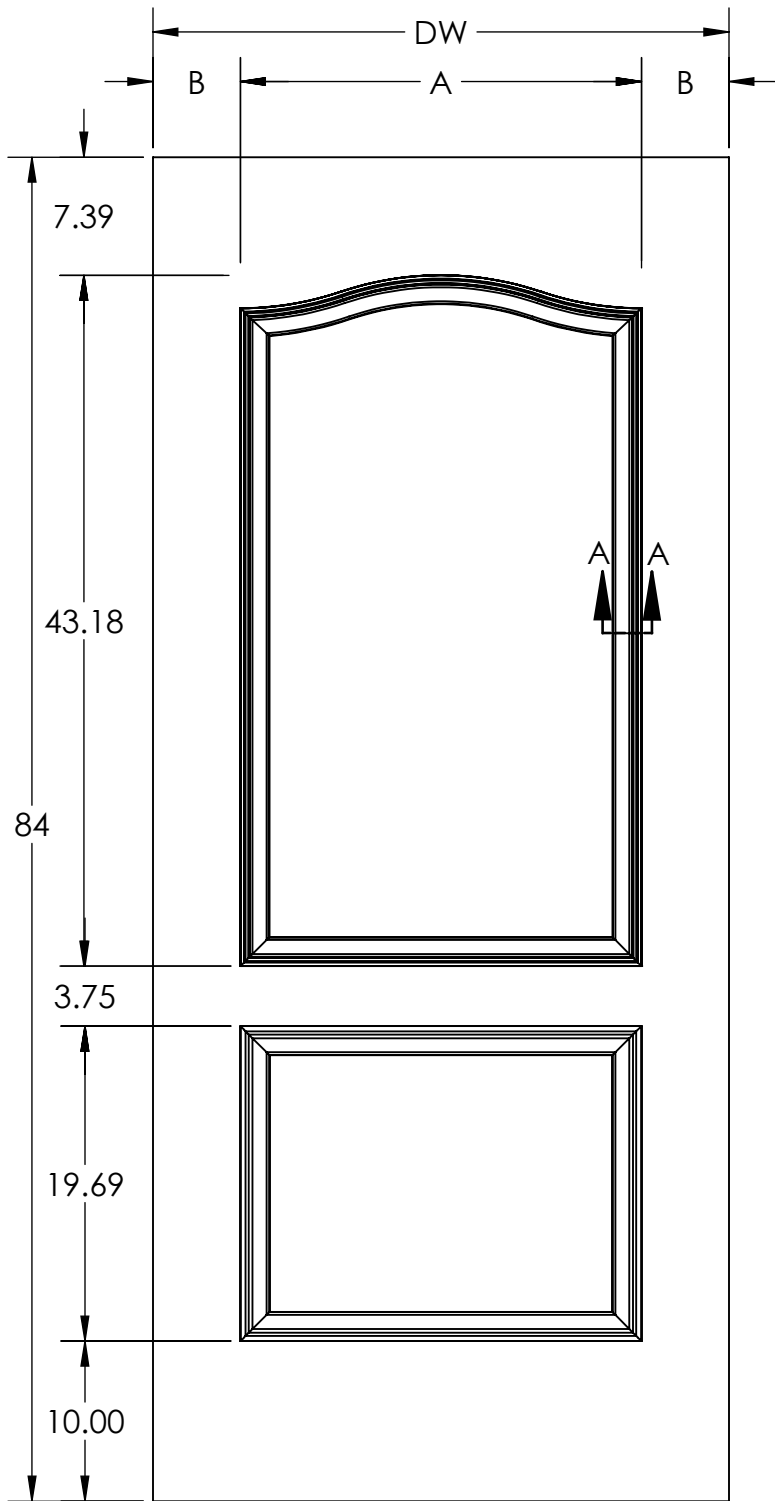
Molded Profile Door



DIMENSIONS ARE IN: Inches
DOOR TOLERANCES
WIDTH (FULL WIDTH): $\pm 1/16$
WIDTH (PREFIT): $\pm 1/32$
HEIGHT: $\pm 1/16$
SQUARE: $\pm 1/8$

THE INFORMATION CONTAINED IN THIS DRAWING IS THE SOLE PROPERTY OF Lynden Door, Inc. ANY REPRODUCTION IN PART OR AS A WHOLE WITHOUT THE WRITTEN PERMISSION OF Lynden Door, Inc. IS PROHIBITED.

A04-00039 | 11/23/16



Cremona 7'0"		
All dimensions nominal before prefit and bevel.		
DW	A	B
3-0	25	5.5
2-10	22.81	5.59
2-8	22.81	4.59
2-6	19.56	5.21
2-4	18.12	4.93
2-2	18.12	3.93
2-0*	14.93	4.53
1-10*	14.93	3.53
1-8*	9.5	5.25
1-6*	9.5	4.25
Bottom rail dimension complies with ADA requirements.		
* Non-Stock, Contact factory for pricing and availability.		

Cremona

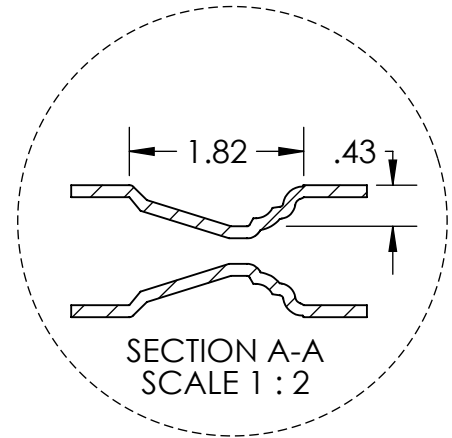
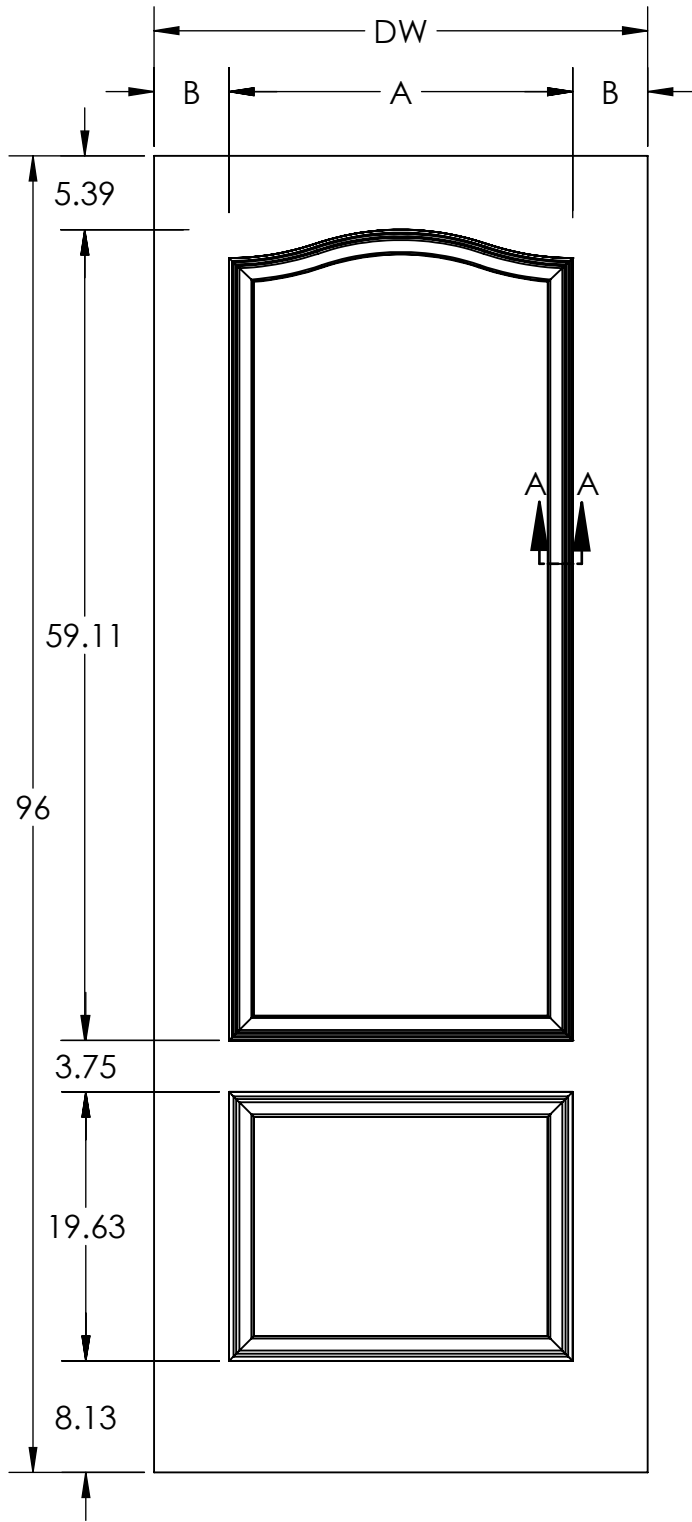
Molded Profile Door



DIMENSIONS ARE IN: Inches
 DOOR TOLERANCES
 WIDTH (FULL WIDTH): $\pm 1/16$
 WIDTH (PREFIT): $\pm 1/32$
 HEIGHT: $\pm 1/16$
 SQUARE: $\pm 1/8$

THE INFORMATION CONTAINED IN THIS DRAWING IS THE SOLE PROPERTY OF Lynden Door, Inc. ANY REPRODUCTION IN PART OR AS A WHOLE WITHOUT THE WRITTEN PERMISSION OF Lynden Door, Inc. IS PROHIBITED.

A04-00039 | 11/23/16



Cremona 8'0"		
All dimensions nominal before prefit and bevel.		
DW	A	B
3-0	25	5.5
2-10*	25	4.5
2-8	22.81	4.59
2-6	19.56	5.21
2-4	18.12	4.93
2-2	18.12	3.93
2-0	14.93	4.53
1-10	14.93	3.53
1-8	9.5	5.25
1-6	9.5	4.25
Bottom rail dimension does not comply with ADA requirements.		
*Contact factory regarding availability of wider stile options.		

Cremona

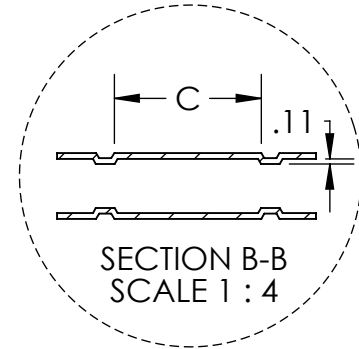
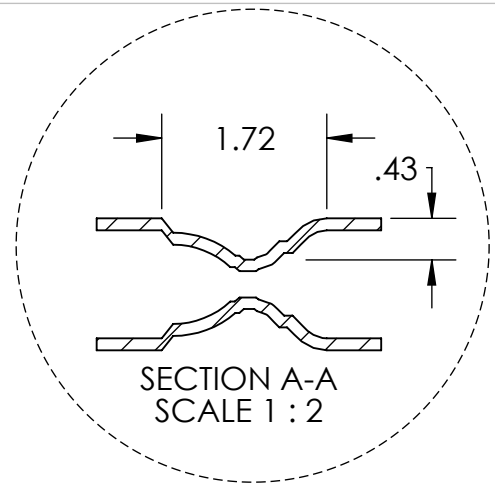
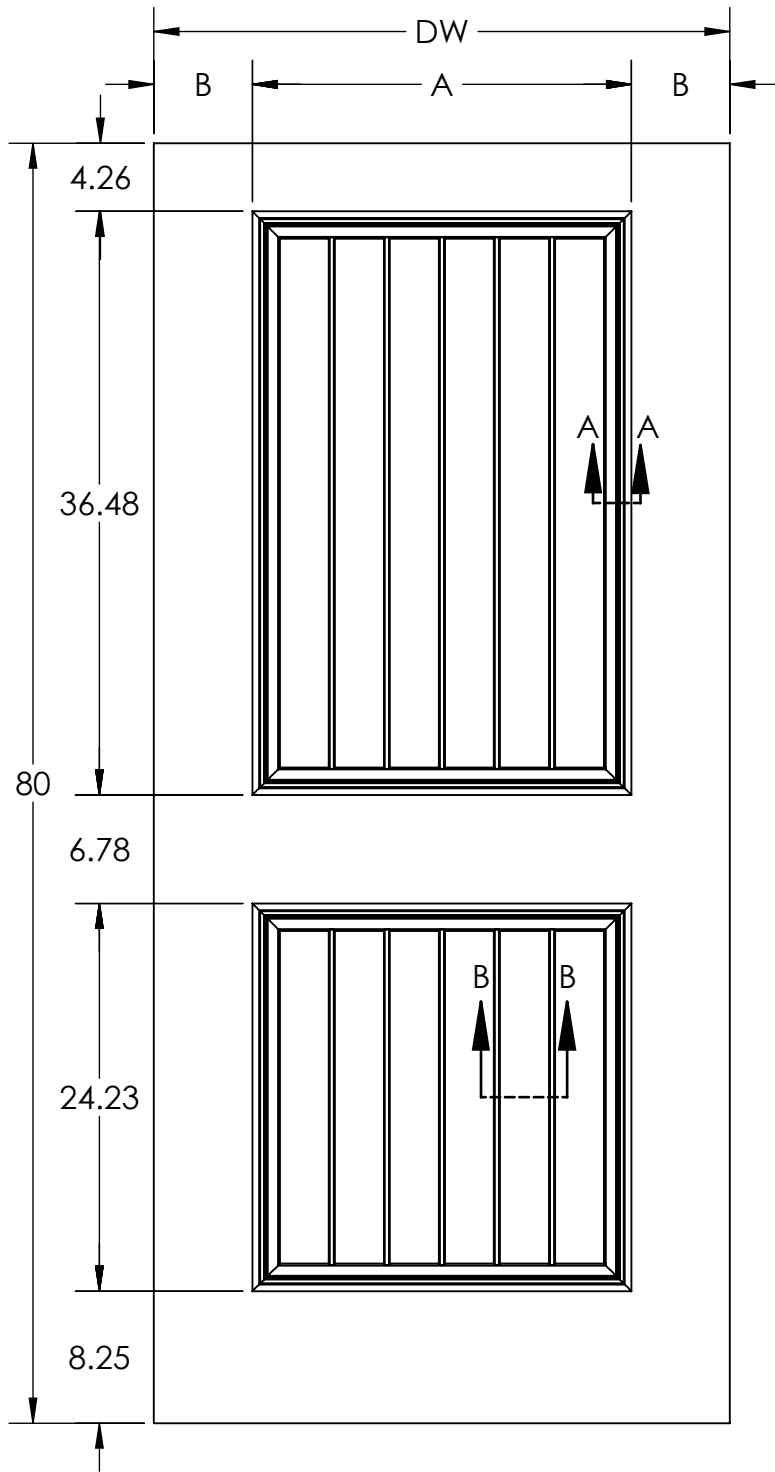
Molded Profile Door



DIMENSIONS ARE IN: inches
 DOOR TOLERANCES
 WIDTH (FULL WIDTH): ±1/16
 WIDTH (PREFIT): ±1/32
 HEIGHT: ±1/16
 SQUARE: ±1/8

THE INFORMATION CONTAINED IN THIS DRAWING IS THE SOLE PROPERTY OF Lynden Door, Inc. ANY REPRODUCTION IN PART OR AS A WHOLE WITHOUT THE WRITTEN PERMISSION OF Lynden Door, Inc. IS PROHIBITED.

A04-00039 | 11/23/16



Corvado 6'8"				
All dimensions nominal before prefit and bevel.				
DW	A	B	C	# of Planks
3-0	23.69	6.15	3.06	6
2-10	21.69	6.15	2.73	6
2-8	21.69	5.15	2.73	6
2-6	19.69	5.15	2.95	5
2-4	17.69	5.15	2.55	5
2-2	15.69	5.15	2.78	4
2-0	15.69	4.15	2.78	4
1-10	15.69	3.15	2.78	4
1-8	11.96	4.02	2.59	3
1-6	11.96	3.02	2.59	3

Bottom rail dimension does not comply with ADA requirements.

Corvado

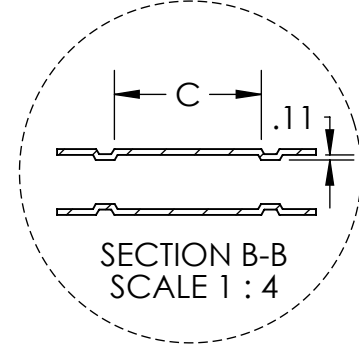
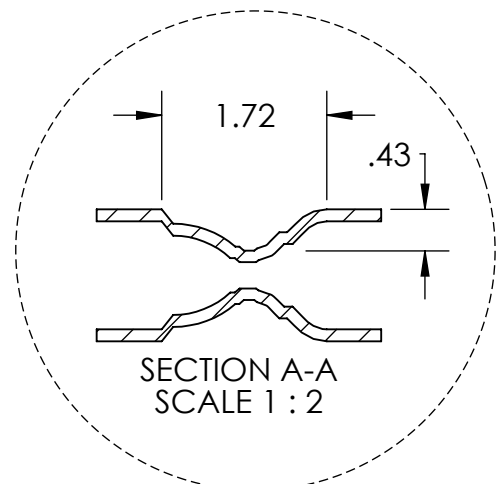
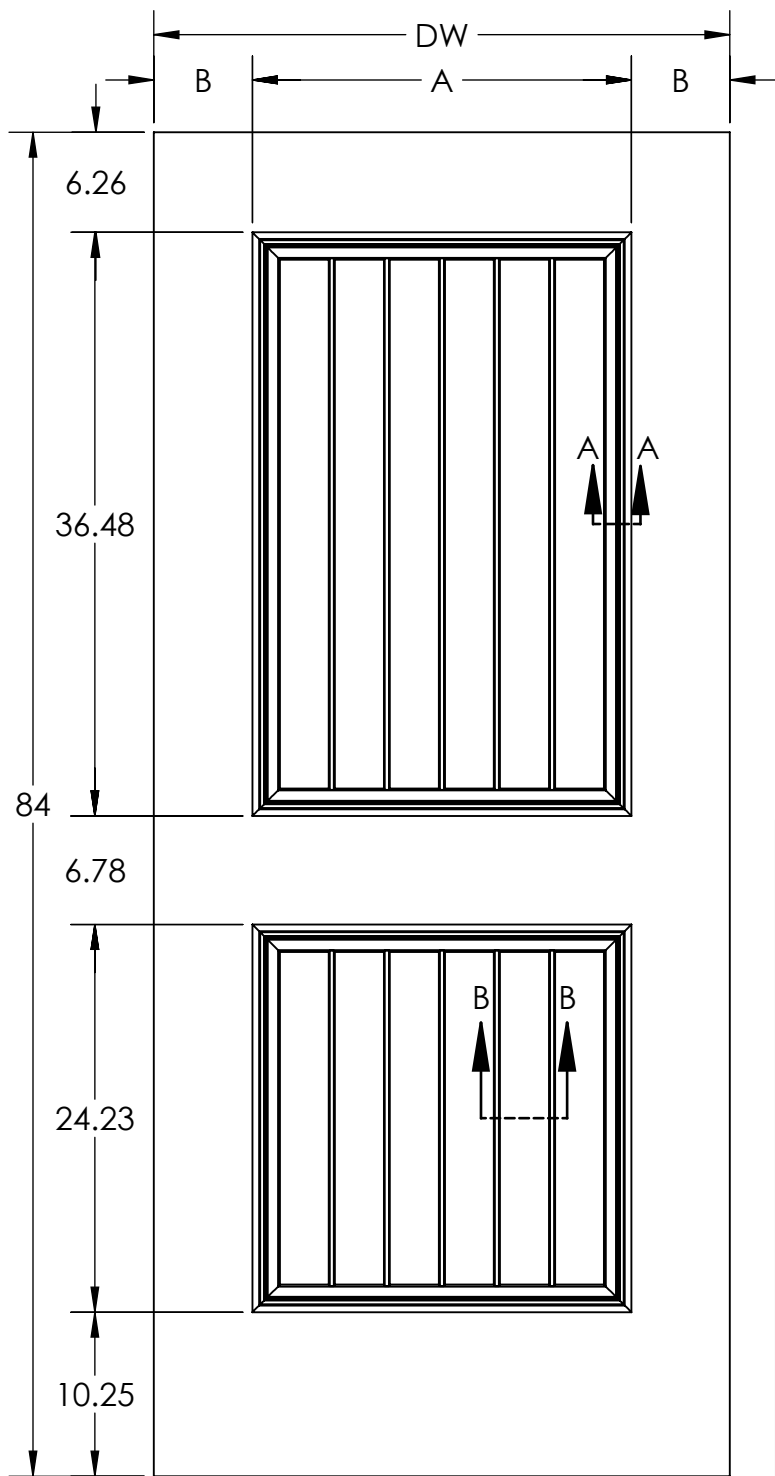
Molded Profile Door



DIMENSIONS ARE IN: inches
 DOOR TOLERANCES
 WIDTH (FULL WIDTH): ±1/16
 WIDTH (PREFIT): ±1/32
 HEIGHT: ±1/16
 SQUARE: ±1/8

THE INFORMATION CONTAINED IN THIS DRAWING IS THE SOLE PROPERTY OF Lynden Door, Inc. ANY REPRODUCTION IN PART OR AS A WHOLE WITHOUT THE WRITTEN PERMISSION OF Lynden Door, Inc. IS PROHIBITED.

A04-00047 | 11/23/16



Corvado 7'0"				
All dimensions nominal before prefit and bevel.				
DW	A	B	C	# of Planks
3-0	23.69	6.15	3.06	6
2-10	21.69	6.15	2.73	6
2-8	21.69	5.15	2.73	6
2-6	19.69	5.15	2.95	5
2-4	17.69	5.15	2.55	5
2-2	15.69	5.15	2.78	4
2-0	15.69	4.15	2.78	4
1-10	15.69	3.15	2.78	4
1-8	11.96	4.02	2.59	3
1-6	11.96	3.02	2.59	3

Bottom rail dimension complies with ADA requirements.

Corvado

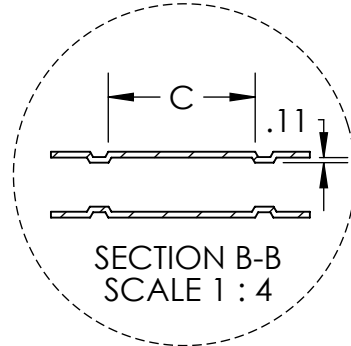
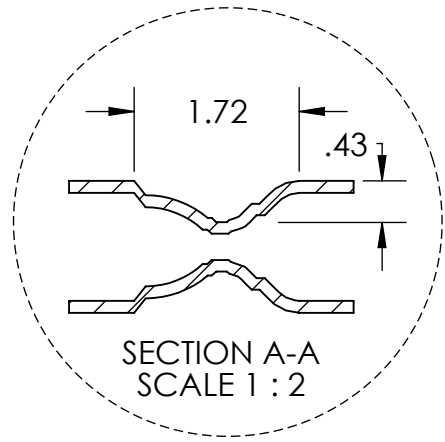
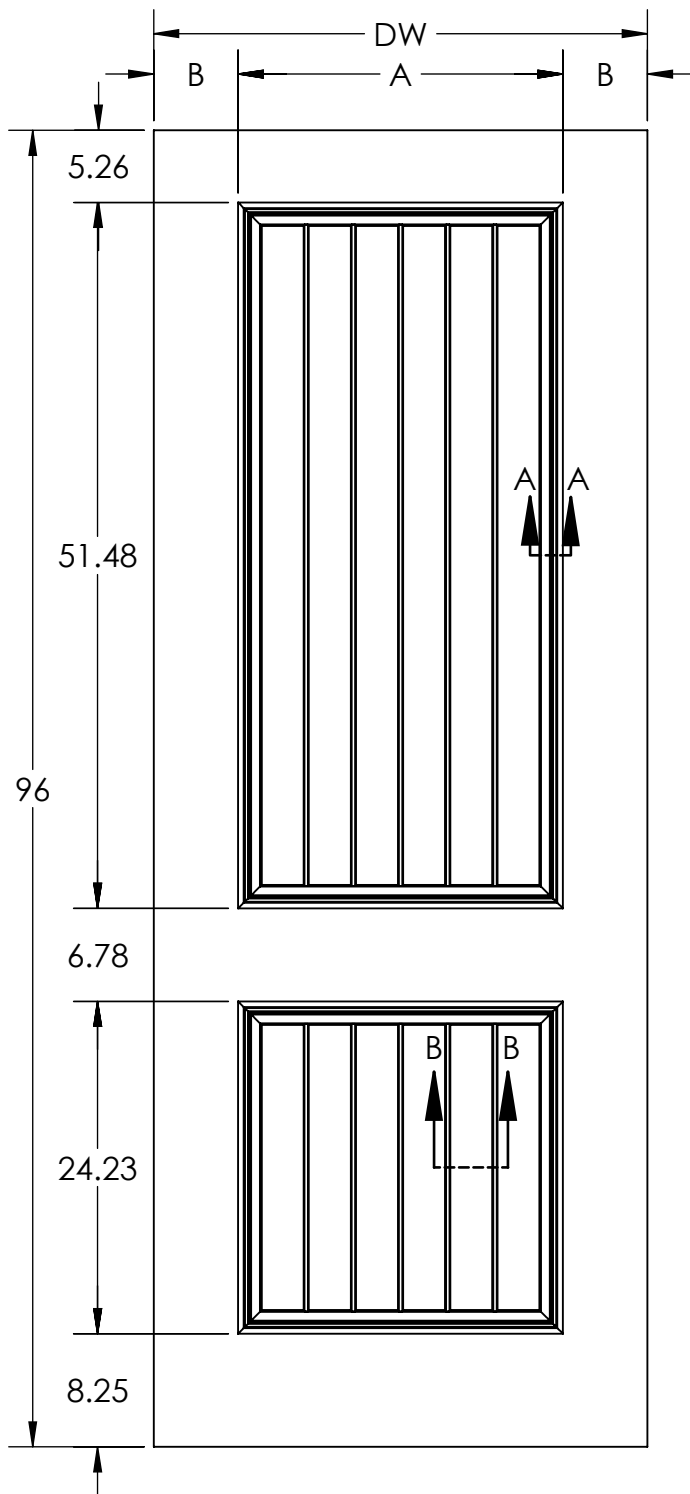
Molded Profile Door



DIMENSIONS ARE IN: Inches
 DOOR TOLERANCES
 WIDTH (FULL WIDTH): ±1/16
 WIDTH (PREFIT): ±1/32
 HEIGHT: ±1/16
 SQUARE: ±1/8

THE INFORMATION CONTAINED IN THIS DRAWING IS THE SOLE PROPERTY OF Lynden Door, Inc. ANY REPRODUCTION IN PART OR AS A WHOLE WITHOUT THE WRITTEN PERMISSION OF Lynden Door, Inc. IS PROHIBITED.

A04-00047 | 11/23/16



Corvado 8'0"				
All dimensions nominal before prefit and bevel.				
DW	A	B	C	# of Planks
3-0	23.69	6.15	3.06	6
2-10*	23.69	5.15	3.06	6
2-8	21.69	5.15	2.73	6
2-6	19.69	5.15	2.95	5
2-4	17.69	5.15	2.55	5
2-2*	17.69	4.15	2.55	5
2-0	15.69	4.15	2.78	4
1-10	15.69	3.15	2.78	4
1-8	11.96	4.02	2.59	3
1-6	11.96	3.02	2.59	3

Bottom rail dimension does not comply with ADA requirements.

*Contact factory regarding availability of wider stile options.

Corvado

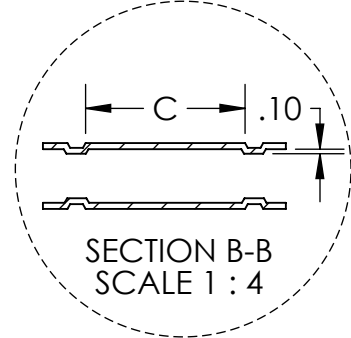
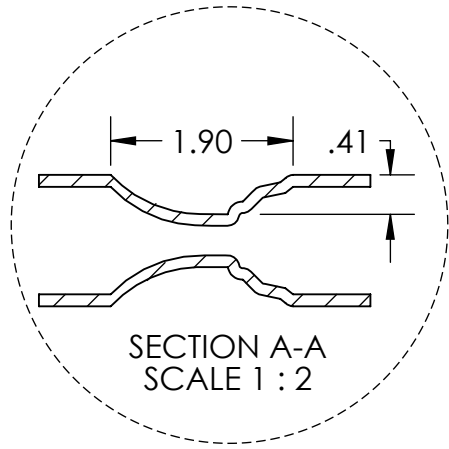
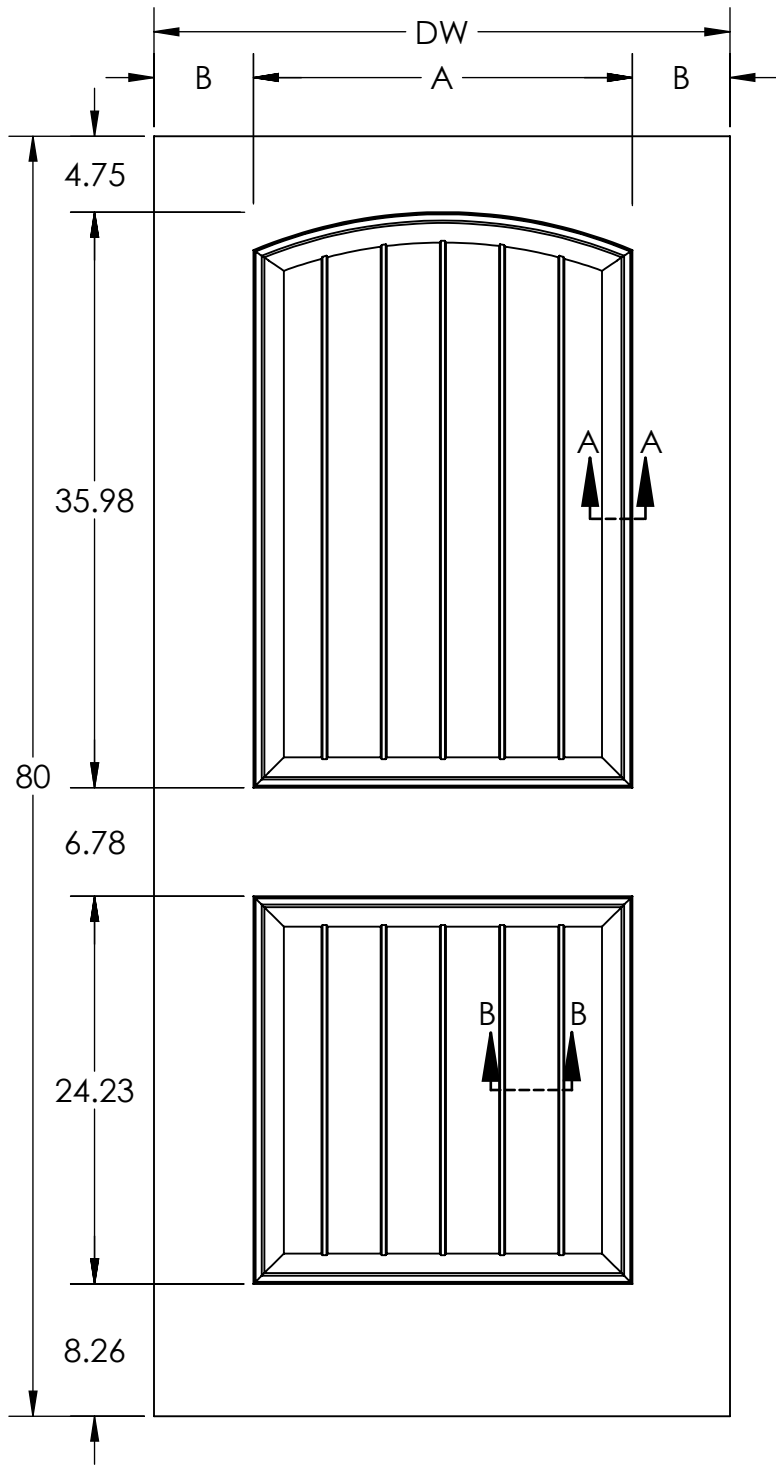
Molded Profile Door



DIMENSIONS ARE IN: Inches
 DOOR TOLERANCES
 WIDTH (FULL WIDTH): ±1/16
 WIDTH (PREFIT): ±1/32
 HEIGHT: ±1/16
 SQUARE: ±1/8

THE INFORMATION CONTAINED IN THIS DRAWING IS THE SOLE PROPERTY OF Lynden Door, Inc. ANY REPRODUCTION IN PART OR AS A WHOLE WITHOUT THE WRITTEN PERMISSION OF Lynden Door, Inc. IS PROHIBITED.

A04-00047 | 11/23/16



Cashal 6'8"				
All dimensions nominal before prefit and bevel.				
DW	A	B	C	# of Planks
3-0	25.69	6.15	3.32	6
2-10	23.69	6.15	2.99	6
2-8	23.69	5.15	2.99	6
2-6	21.69	5.15	3.26	5
2-4	19.69	5.15	2.86	5
2-2	15.69	5.15	2.68	4
2-0	15.69	4.15	2.68	4
1-10	15.69	3.15	2.68	4
1-8	11.96	4.02	2.46	3
1-6	11.96	3.02	2.46	3

Bottom rail dimension does not comply with ADA requirements.

Cashal

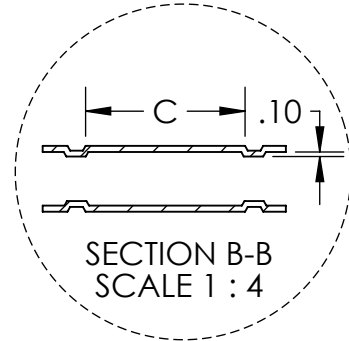
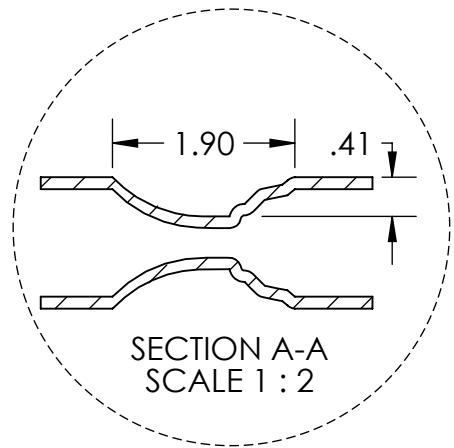
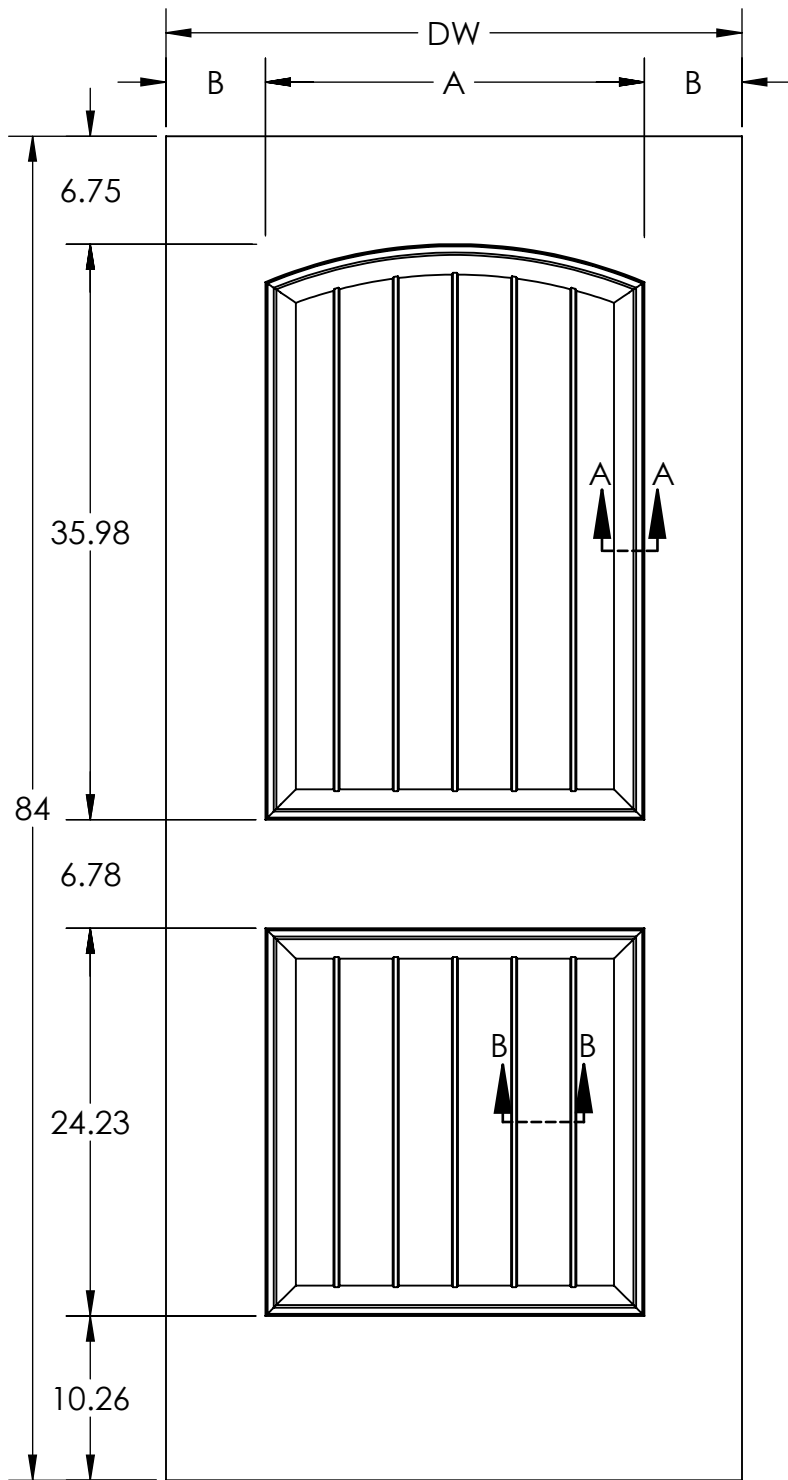
Molded Profile Door



DIMENSIONS ARE IN: inches
 DOOR TOLERANCES
 WIDTH (FULL WIDTH): ±1/16
 WIDTH (PREFIT): ±1/32
 HEIGHT: ±1/16
 SQUARE: ±1/8

THE INFORMATION CONTAINED IN THIS DRAWING IS THE SOLE PROPERTY OF Lynden Door, Inc. ANY REPRODUCTION IN PART OR AS A WHOLE WITHOUT THE WRITTEN PERMISSION OF Lynden Door, Inc. IS PROHIBITED.

A04-00048 | 11/23/16



Cashal 7'0"				
All dimensions nominal before prefit and bevel.				
DW	A	B	C	# of Planks
3-0	25.69	6.15	3.32	6
2-10	23.69	6.15	2.99	6
2-8	23.69	5.15	2.99	6
2-6	21.69	5.15	3.26	5
2-4	19.69	5.15	2.86	5
2-2	15.69	5.15	2.68	4
2-0	15.69	4.15	2.68	4
1-10	15.69	3.15	2.68	4
1-8	11.96	4.02	2.46	3
1-6	11.96	3.02	2.46	3
Bottom rail dimension complies with ADA requirements.				

Cashal

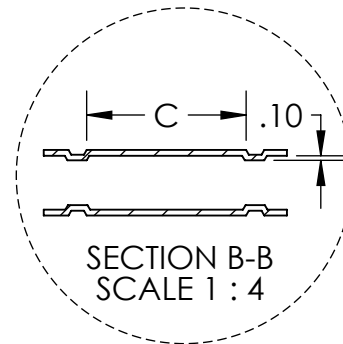
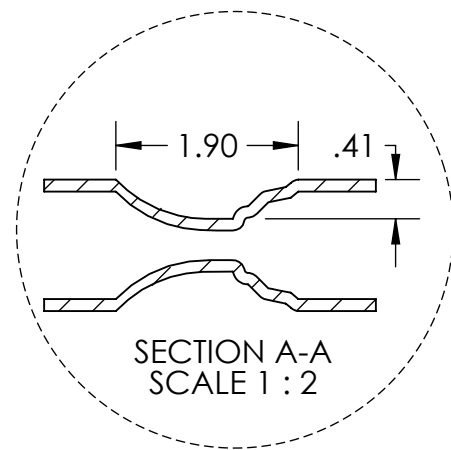
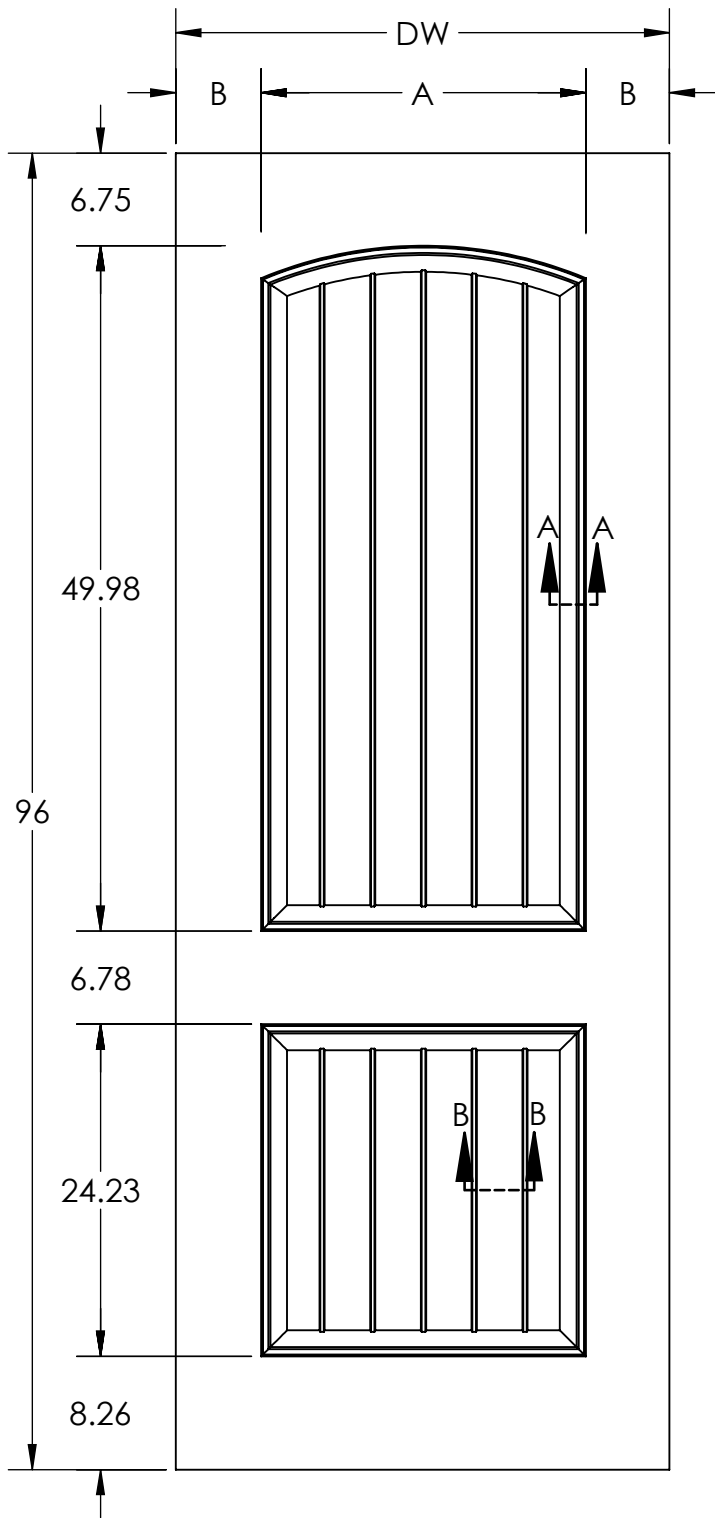
Molded Profile Door



DIMENSIONS ARE IN: Inches
 DOOR TOLERANCES
 WIDTH (FULL WIDTH): ±1/16
 WIDTH (PREFIT): ±1/32
 HEIGHT: ±1/16
 SQUARE: ±1/8

THE INFORMATION CONTAINED IN THIS DRAWING IS THE SOLE PROPERTY OF Lynden Door, Inc. ANY REPRODUCTION IN PART OR AS A WHOLE WITHOUT THE WRITTEN PERMISSION OF Lynden Door, Inc. IS PROHIBITED.

A04-00048 11/23/16



Cashal 8'0"				
All dimensions nominal before prefit and bevel.				
DW	A	B	C	# of Planks
3-0	25.69	5.15	3.32	6
2-10*	25.69	4.15	2.99	6
2-8	23.69	4.15	2.99	6
2-6	21.69	4.15	3.26	5
2-4	19.69	4.15	2.86	5
2-2*	19.69	3.15	2.68	4
2-0	15.69	4.15	2.68	4
1-10	15.69	3.15	2.68	4
1-8	11.96	4.02	2.46	3
1-6	11.96	3.02	2.46	3
Bottom rail dimension does not comply with ADA requirements.				
*Contact factory regarding availability of wider stile options.				

Cashal

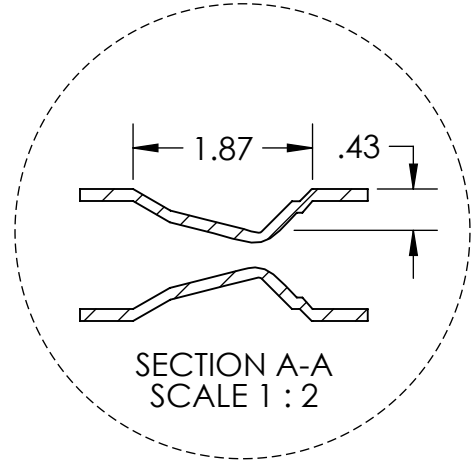
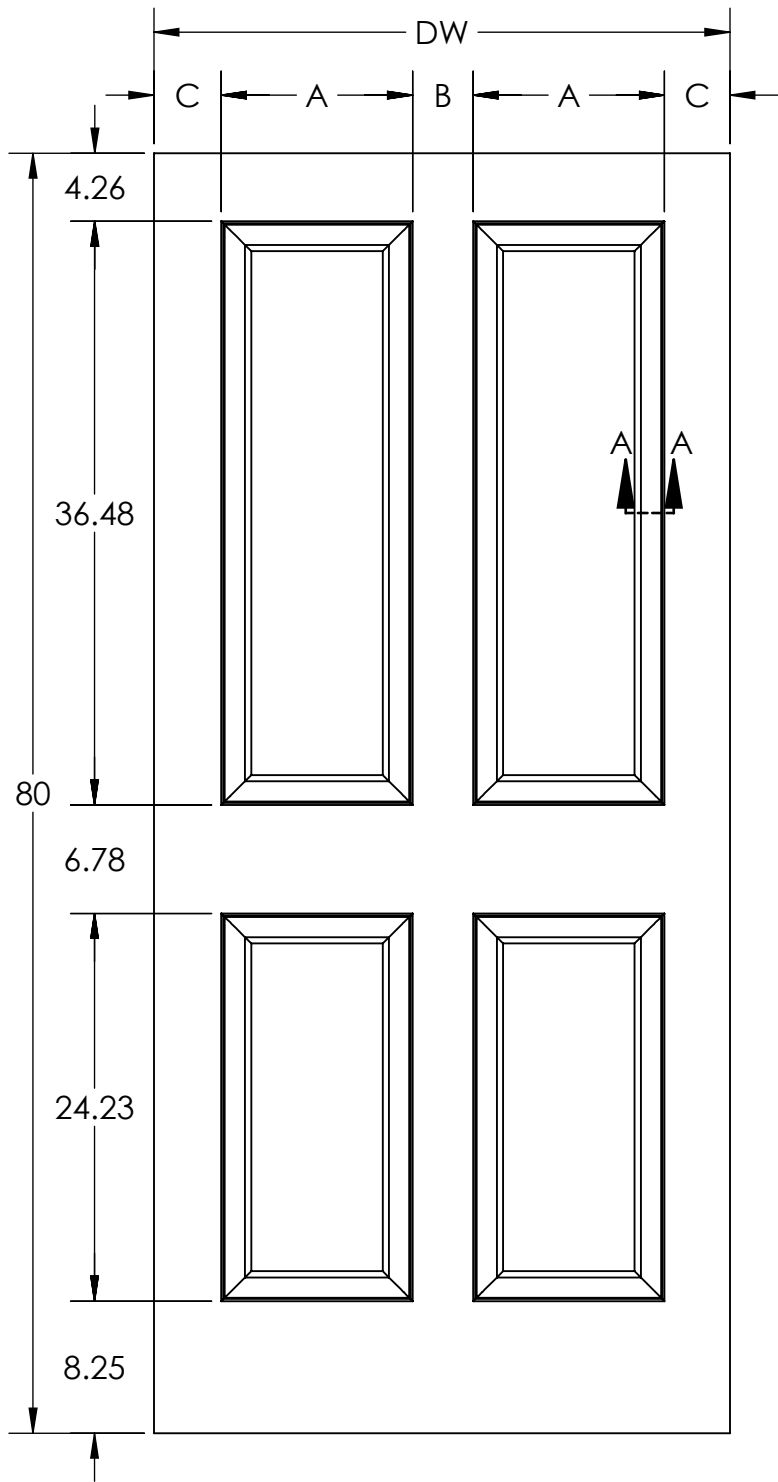
Molded Profile Door



DIMENSIONS ARE IN: inches
 DOOR TOLERANCES
 WIDTH (FULL WIDTH): ±1/16
 WIDTH (PREFIT): ±1/32
 HEIGHT: ±1/16
 SQUARE: ±1/8

THE INFORMATION CONTAINED IN THIS DRAWING IS THE SOLE PROPERTY OF Lynden Door, Inc. ANY REPRODUCTION IN PART OR AS A WHOLE WITHOUT THE WRITTEN PERMISSION OF Lynden Door, Inc. IS PROHIBITED.

A04-00048 | 11/23/16



Coventry 6'8"			
All dimensions nominal before prefit and bevel.			
DW	A	B	C
3-0	11.96	3.78	4.15
2-10	9.96	3.78	5.15
2-8	9.96	3.78	4.15
2-6	8.96	3.78	4.15
2-4	7.96	3.78	4.15
2-2	5.96	3.78	5.15
2-0	5.96	3.78	4.15
1-10	5.96	3.78	3.15
Bottom rail dimension does not comply with ADA requirements.			

Coventry

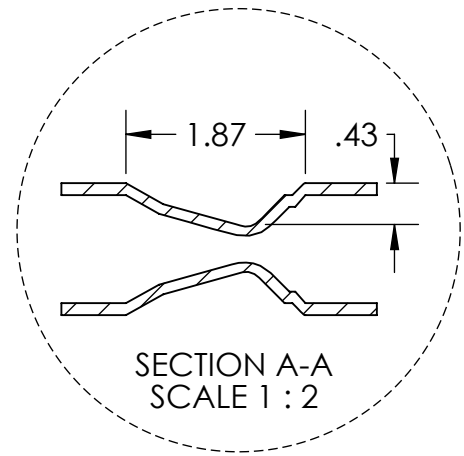
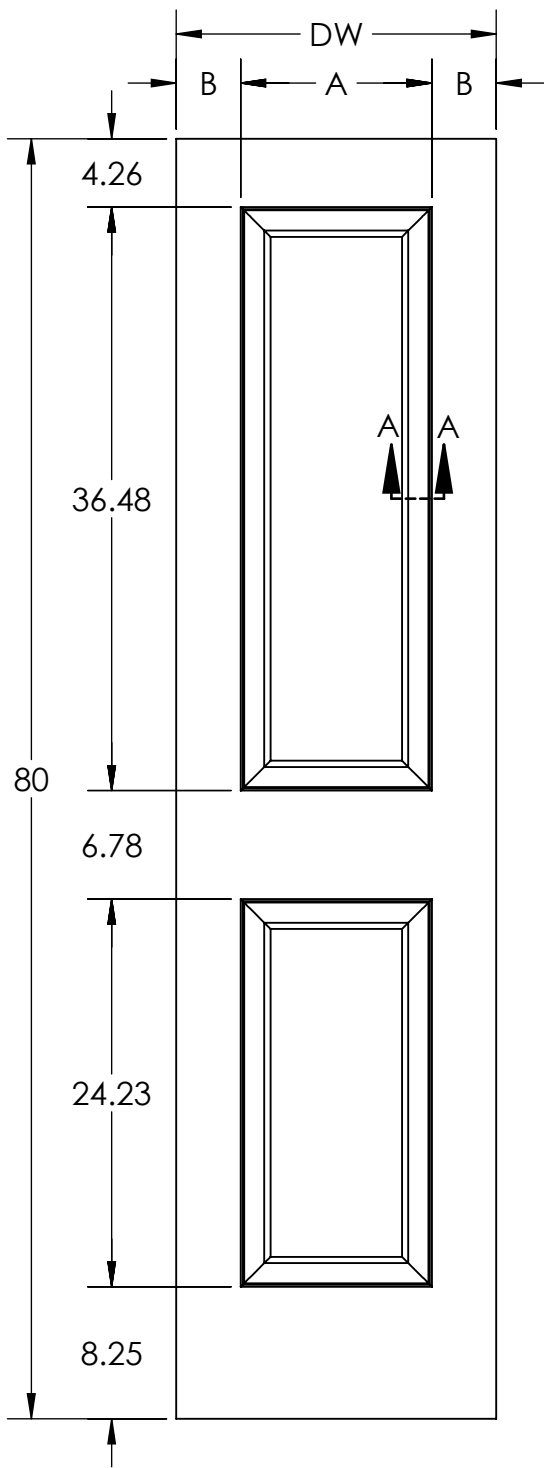
Molded Profile Door



DIMENSIONS ARE IN: Inches
 DOOR TOLERANCES
 WIDTH (FULL WIDTH): ±1/16
 WIDTH (PREFIT): ±1/32
 HEIGHT: ±1/16
 SQUARE: ±1/8

THE INFORMATION CONTAINED IN THIS DRAWING IS THE SOLE PROPERTY OF Lynden Door, Inc. ANY REPRODUCTION IN PART OR AS A WHOLE WITHOUT THE WRITTEN PERMISSION OF Lynden Door, Inc. IS PROHIBITED.

A04-00045 | 11/23/16



Coventry 6'8"		
All dimensions nominal before prefit and bevel.		
DW	A	B
1-8	11.96	4.02
1-6	11.96	3.02
1-4	7.08	4.46
Bottom rail dimension does not comply with ADA requirements.		

Coventry

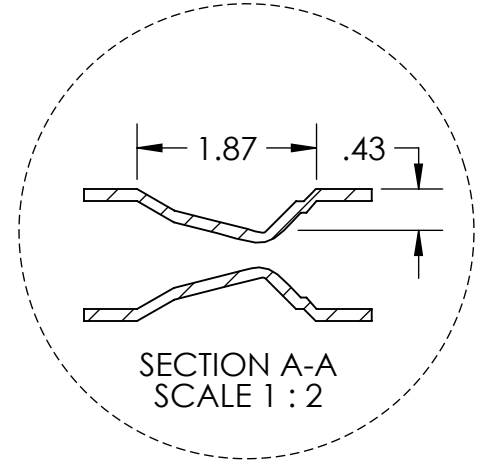
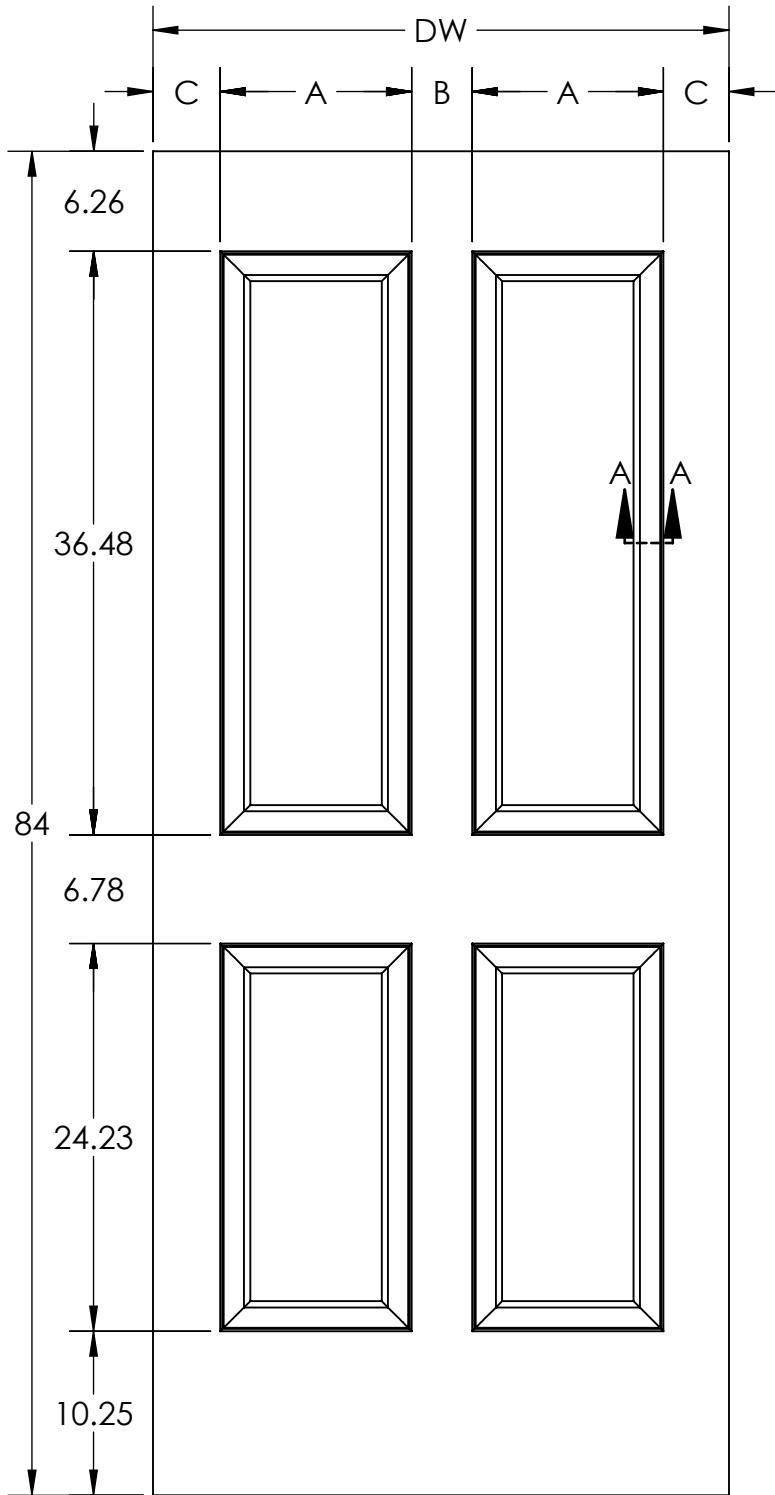
Molded Profile Door



DIMENSIONS ARE IN: inches
DOOR TOLERANCES
WIDTH (FULL WIDTH): $\pm 1/16$
WIDTH (PREFIT): $\pm 1/32$
HEIGHT: $\pm 1/16$
SQUARE: $\pm 1/8$

THE INFORMATION CONTAINED IN THIS DRAWING IS THE SOLE PROPERTY OF Lynden Door, Inc. ANY REPRODUCTION IN PART OR AS A WHOLE WITHOUT THE WRITTEN PERMISSION OF Lynden Door, Inc. IS PROHIBITED.

A04-00045 | 11/23/16



Coventry 7'0"			
All dimensions nominal before prefit and bevel.			
DW	A	B	C
3-0	11.96	3.78	4.15
2-10	9.96	3.78	5.15
2-8	9.96	3.78	4.15
2-6	8.96	3.78	4.15
2-4	7.96	3.78	4.15
2-2	5.96	3.78	5.15
2-0	5.96	3.78	4.15
1-10	5.96	3.78	3.15
Bottom rail dimension complies with ADA requirements.			

Coventry

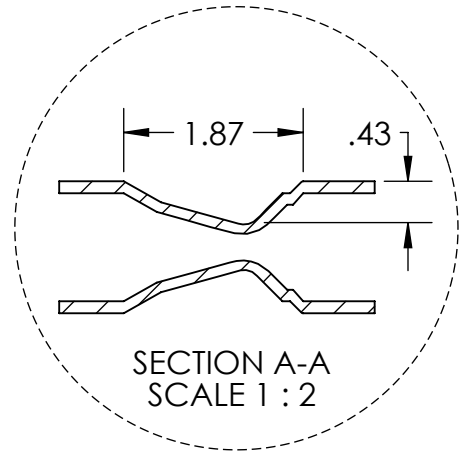
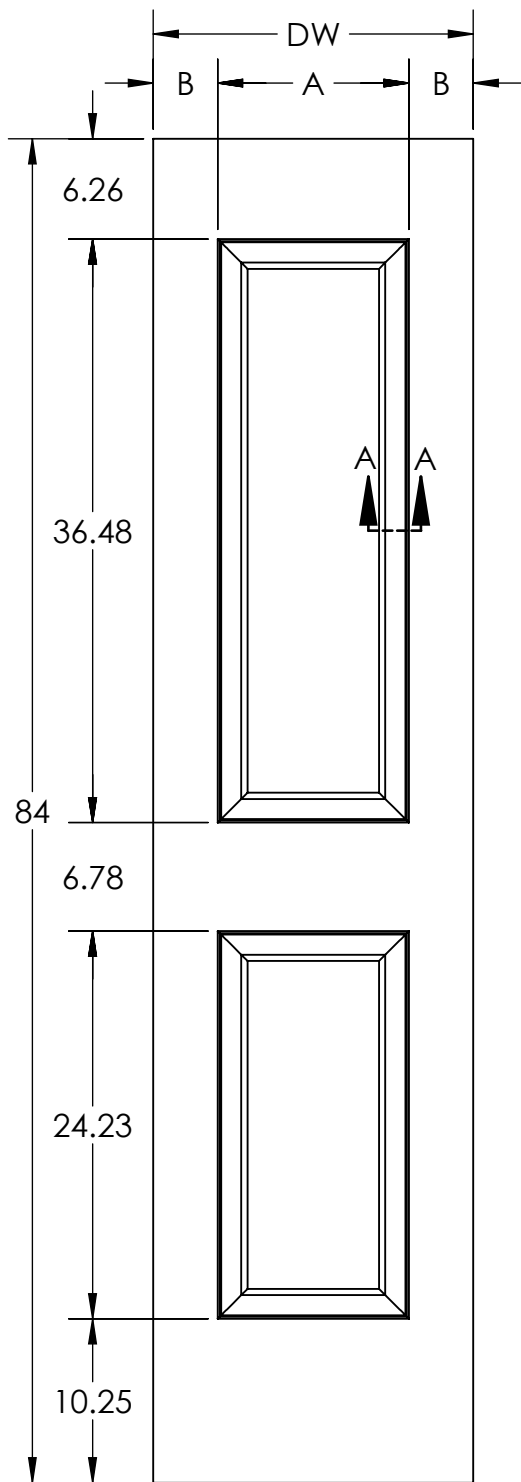
Molded Profile Door



DIMENSIONS ARE IN: Inches
 DOOR TOLERANCES
 WIDTH (FULL WIDTH): $\pm 1/16$
 WIDTH (PREFIT): $\pm 1/32$
 HEIGHT: $\pm 1/16$
 SQUARE: $\pm 1/8$

THE INFORMATION CONTAINED IN THIS DRAWING IS THE SOLE PROPERTY OF Lynden Door, Inc. ANY REPRODUCTION IN PART OR AS A WHOLE WITHOUT THE WRITTEN PERMISSION OF Lynden Door, Inc. IS PROHIBITED.

A04-00045 | 11/23/16



Coventry 7'0"		
All dimensions nominal before prefit and bevel.		
DW	A	B
1-8	11.96	4.02
1-6	11.96	3.02
1-4*	7.08	4.46
Bottom rail dimension complies with ADA requirements.		
* Non-Stock, Contact factory for pricing and availability.		

Coventry

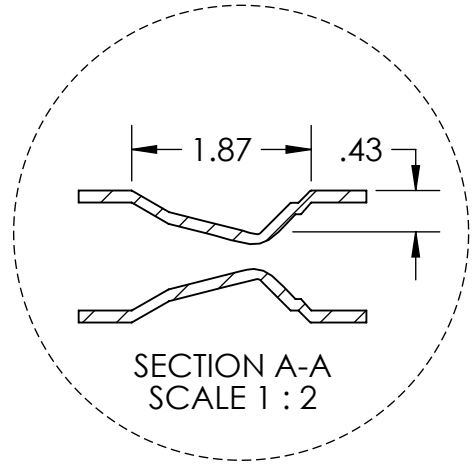
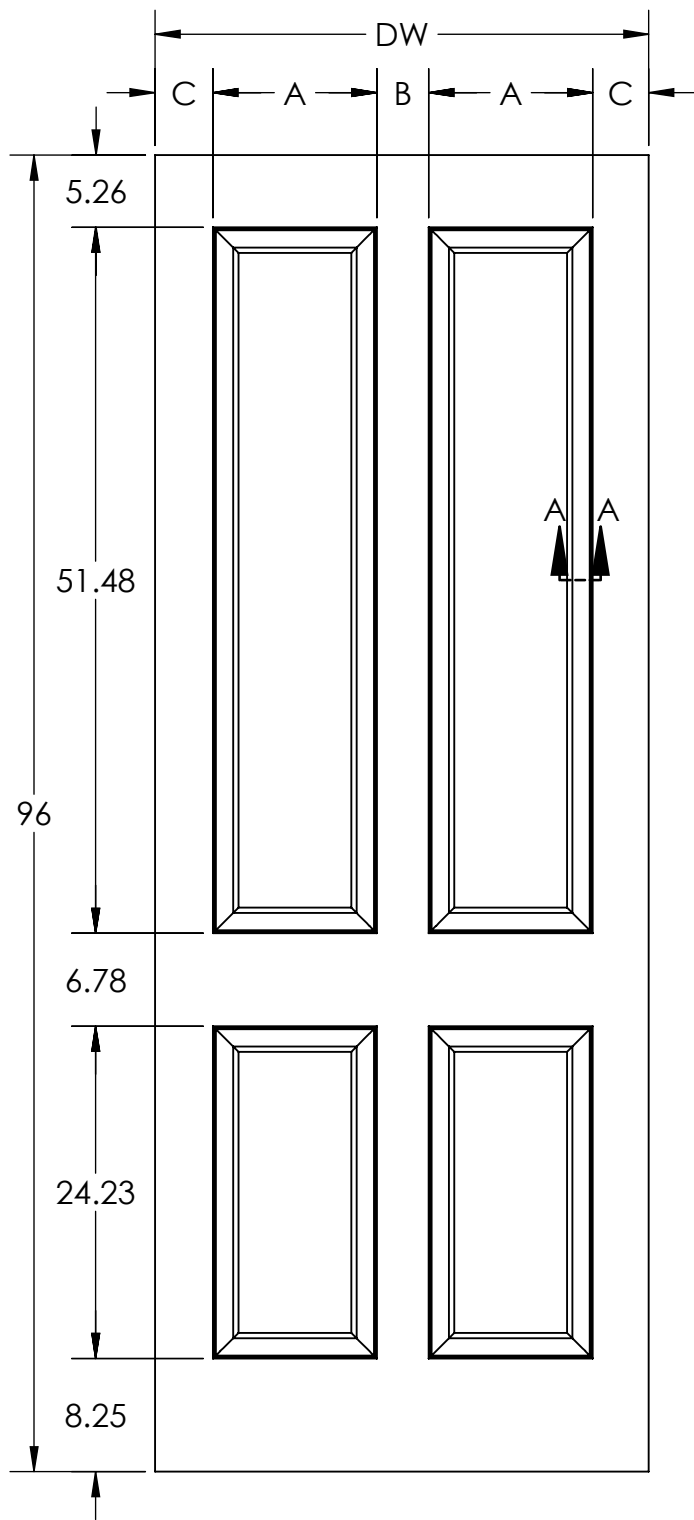
Molded Profile Door



DIMENSIONS ARE IN: inches
 DOOR TOLERANCES
 WIDTH (FULL WIDTH): $\pm 1/16$
 WIDTH (PREFIT): $\pm 1/32$
 HEIGHT: $\pm 1/16$
 SQUARE: $\pm 1/8$

THE INFORMATION CONTAINED IN THIS DRAWING IS THE SOLE PROPERTY OF Lynden Door, Inc. ANY REPRODUCTION IN PART OR AS A WHOLE WITHOUT THE WRITTEN PERMISSION OF Lynden Door, Inc. IS PROHIBITED.

A04-00045 | 11/23/16



Coventry 8'0"			
All dimensions nominal before prefit and bevel.			
DW	A	B	C
3-0	11.96	3.78	4.15
2-10*	11.96	3.78	3.15
2-8	9.96	3.78	4.15
2-6	8.96	3.78	4.15
2-4	7.96	3.78	4.15
2-2*	7.96	3.78	3.15
2-0	5.96	3.78	4.15
1-10	5.96	3.78	3.15
Bottom rail dimension does not comply with ADA requirements.			
* Contact factory regarding availability of wider stile options.			

Coventry

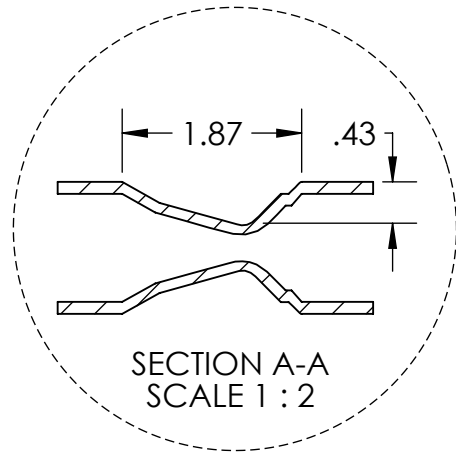
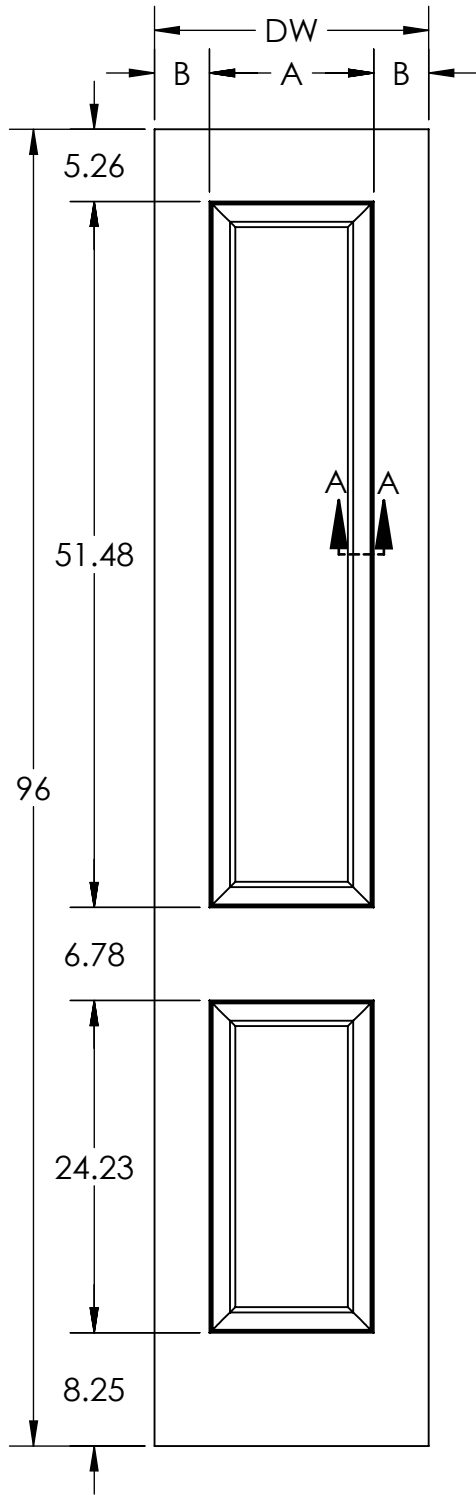
Molded Profile Door



DIMENSIONS ARE IN: inches
 DOOR TOLERANCES
 WIDTH (FULL WIDTH): ±1/16
 WIDTH (PREFIT): ±1/32
 HEIGHT: ±1/16
 SQUARE: ±1/8

THE INFORMATION CONTAINED IN THIS DRAWING IS THE SOLE PROPERTY OF Lynden Door, Inc. ANY REPRODUCTION IN PART OR AS A WHOLE WITHOUT THE WRITTEN PERMISSION OF Lynden Door, Inc. IS PROHIBITED.

A04-00045 | 11/23/16



Coventry 8'0"		
All dimensions nominal before prefit and bevel.		
DW	A	B
1-8	11.96	4.02
1-6	11.96	3.02
1-4*	7.08	4.46
Bottom rail dimension does not comply with ADA requirements.		
* Non-Stock. Contact factory for pricing and availability.		

Coventry

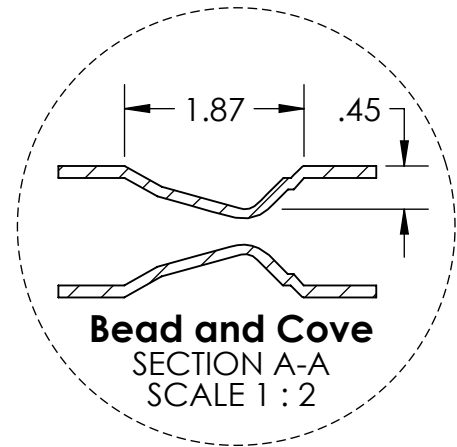
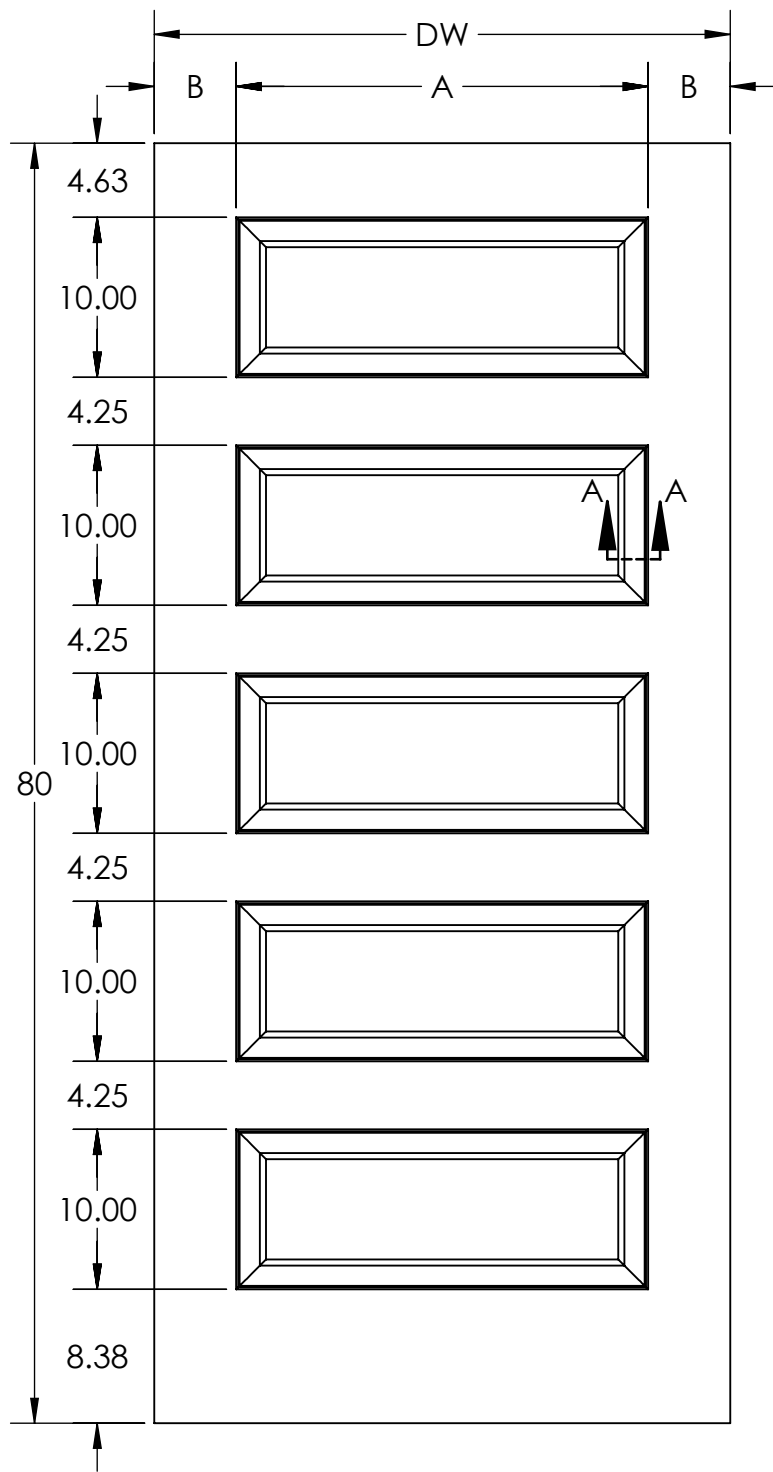
Molded Profile Door



DIMENSIONS ARE IN: Inches
 DOOR TOLERANCES
 WIDTH (FULL WIDTH): ±1/16
 WIDTH (PREFIT): ±1/32
 HEIGHT: ±1/16
 SQUARE: ±1/8

THE INFORMATION CONTAINED IN THIS DRAWING IS THE SOLE PROPERTY OF Lynden Door, Inc. ANY REPRODUCTION IN PART OR AS A WHOLE WITHOUT THE WRITTEN PERMISSION OF Lynden Door, Inc. IS PROHIBITED.

A04-00045 | 11/23/16



Benton 6'8"		
All dimensions nominal before prefit and bevel.		
DW	A	B
3-0	25.75	5.13
2-10	25.75	4.13
2-8	23.75	4.13
2-6	21.75	4.13
2-4	19.75	4.13
2-2	19.75	3.13
2-0	15.75	4.13
1-10	15.75	3.13
1-8	10.25	4.88
1-6	10.25	3.88
Bottom rail dimension does not comply with ADA requirements.		

Benton

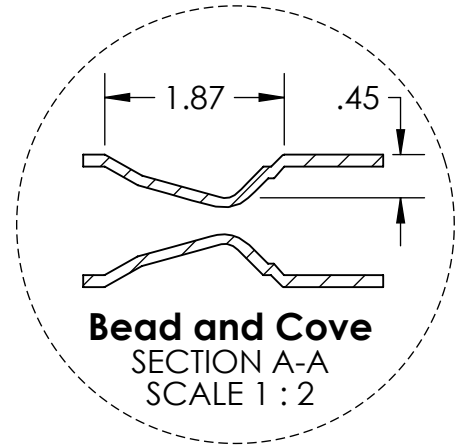
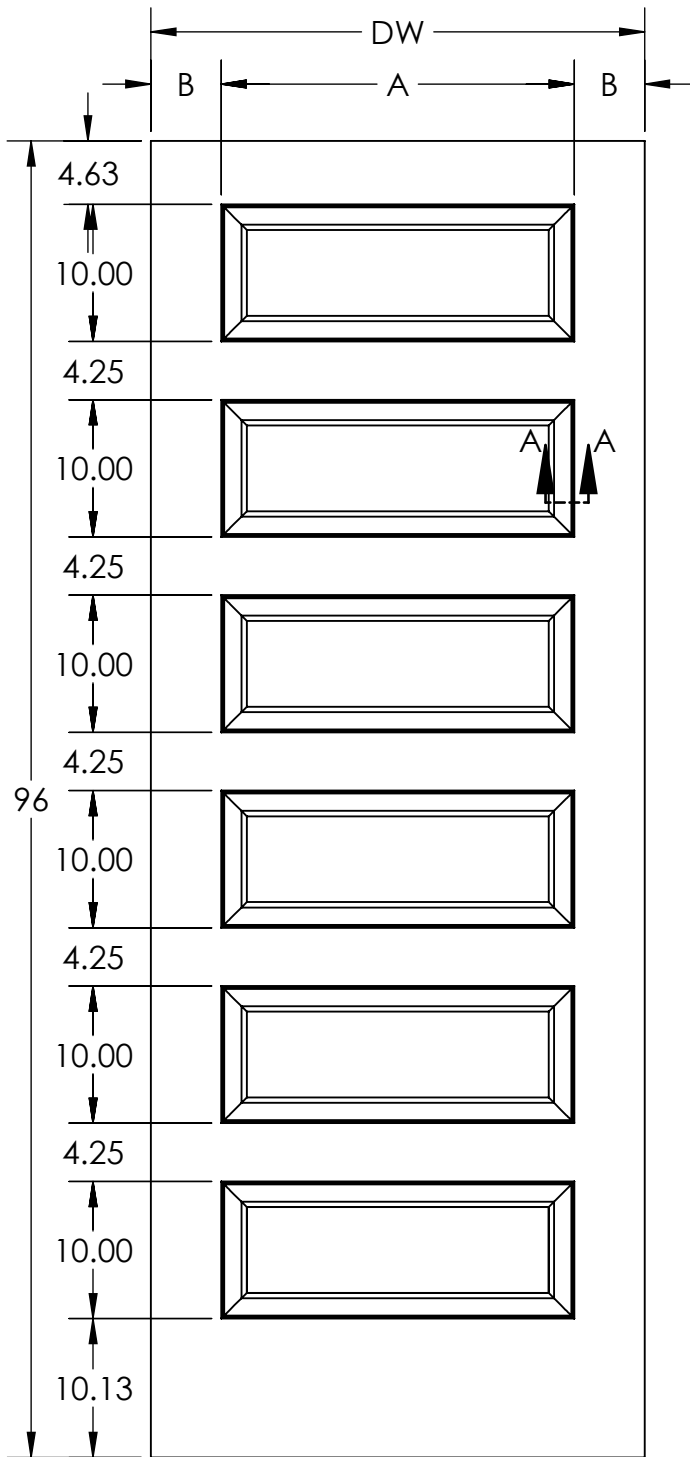
Molded Profile Door



DIMENSIONS ARE IN: inches
 DOOR TOLERANCES
 WIDTH (FULL WIDTH): $\pm 1/16$
 WIDTH (PREFIT): $\pm 1/32$
 HEIGHT: $\pm 1/16$
 SQUARE: $\pm 1/8$

THE INFORMATION CONTAINED IN THIS DRAWING IS THE
 SOLE PROPERTY OF Lynden Door, Inc. ANY
 REPRODUCTION IN PART OR AS A WHOLE WITHOUT THE
 WRITTEN PERMISSION OF Lynden Door, Inc. IS PROHIBITED.

A04-00050 08/11/17



Benton 8'0"		
All dimensions nominal before prefit and bevel.		
DW	A	B
3-0	25.75	5.13
2-10	22.5	5.75
2-8	22.5	4.75
2-6	20.5	4.75
2-4	18.5	4.75
2-2	14.5	5.75
2-0	14.5	4.75
1-10	14.5	3.75
1-8	8.5	5.75
1-6	8.5	4.75
Bottom rail dimension complies with ADA requirements.		

Benton

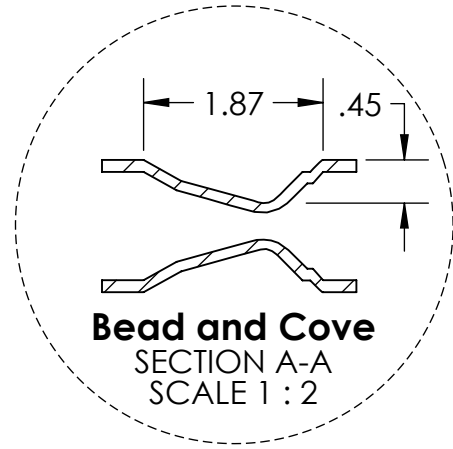
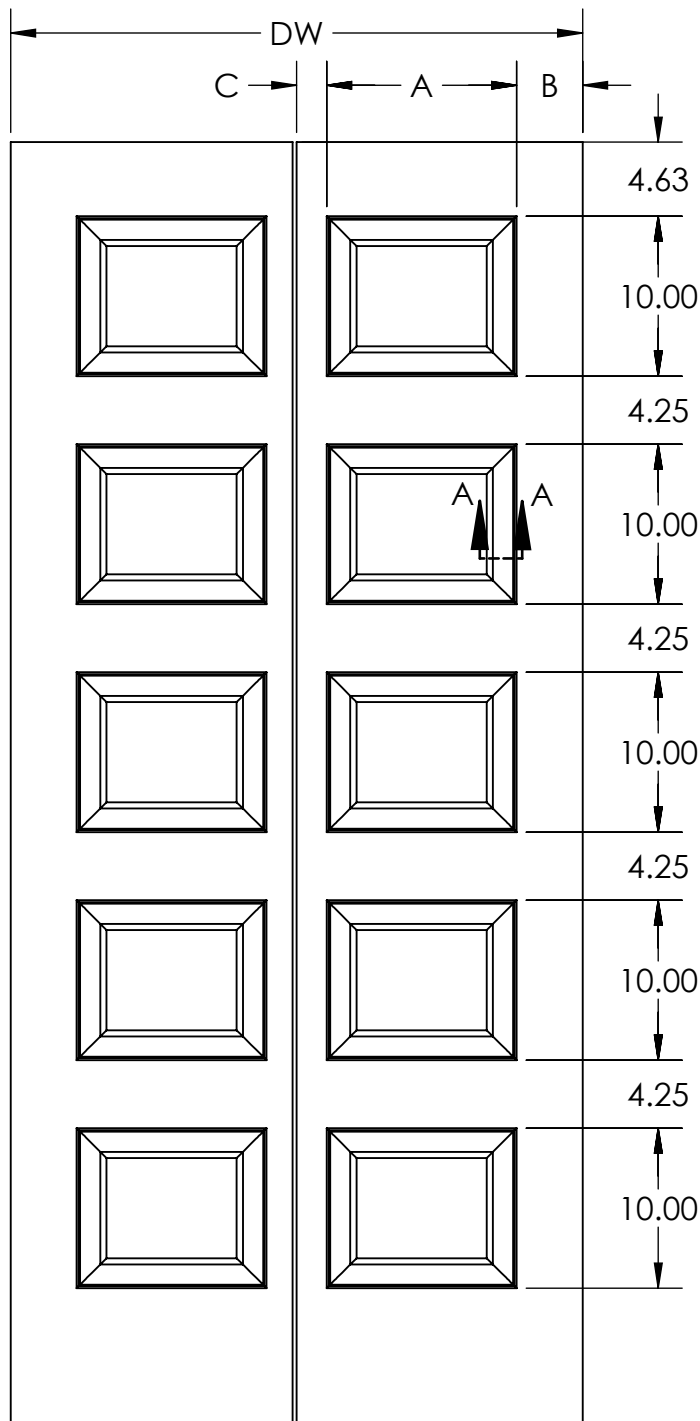
Molded Profile Door



DIMENSIONS ARE IN: Inches
 DOOR TOLERANCES
 WIDTH (FULL WIDTH): ±1/16
 WIDTH (PREFIT): ±1/32
 HEIGHT: ±1/16
 SQUARE: ±1/8

THE INFORMATION CONTAINED IN THIS DRAWING IS THE
 SOLE PROPERTY OF Lynden Door, Inc. ANY
 REPRODUCTION IN PART OR AS A WHOLE WITHOUT THE
 WRITTEN PERMISSION OF Lynden Door, Inc. IS PROHIBITED.

A04-00050 08/11/17



Benton 6'8" Bifold			
All dimensions nominal before prefit and bevel.			
DW	A	B	C
1818	11.88	4.12	1.88
1515	8.88	4.12	1.88
1212	5.88	4.12	1.88

Benton

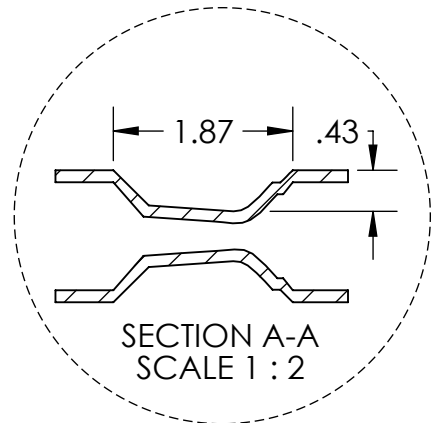
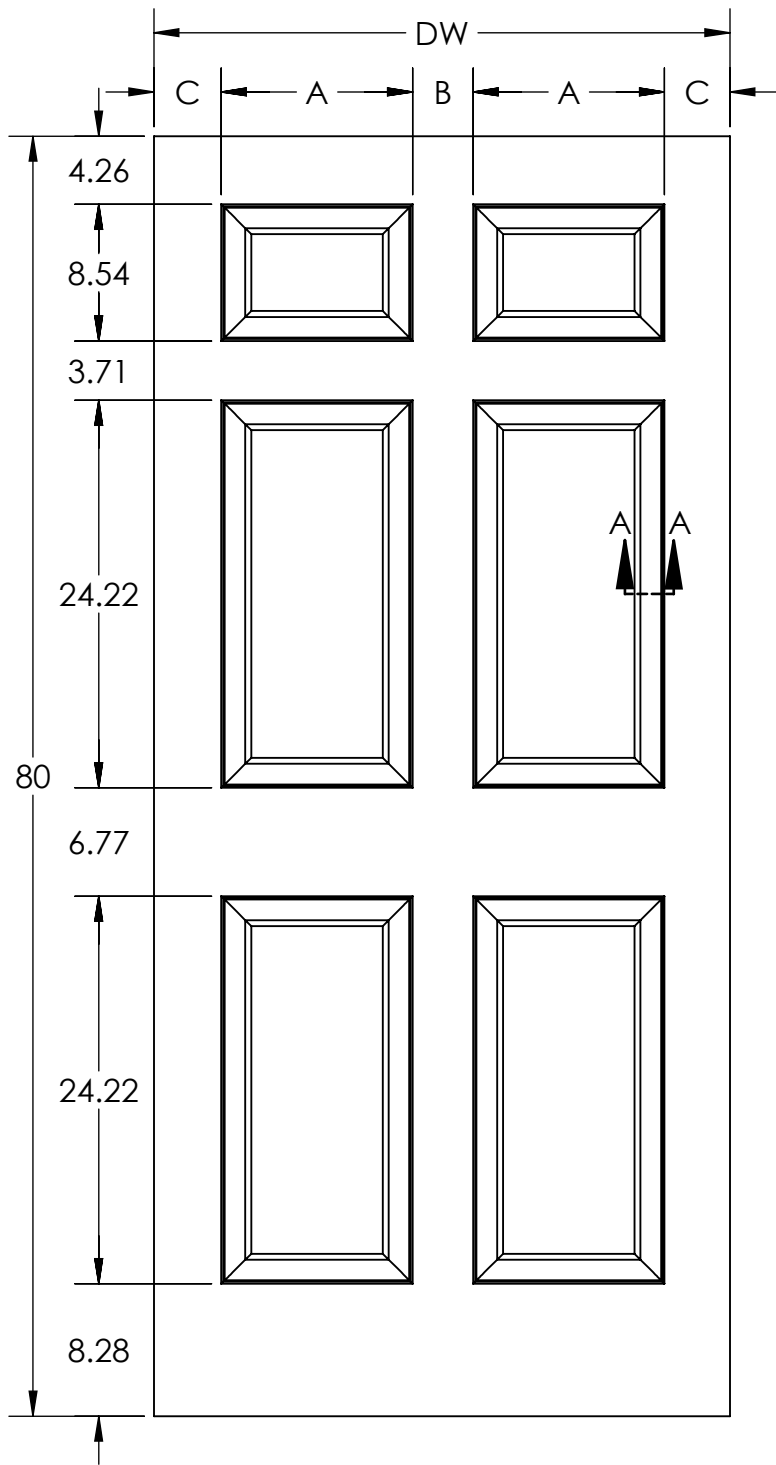
Molded Profile Door



DIMENSIONS ARE IN: Inches
DOOR TOLERANCES
WIDTH (FULL WIDTH): ±1/16
WIDTH (PREFIT): ±1/32
HEIGHT: ±1/16
SQUARE: ±1/8

THE INFORMATION CONTAINED IN THIS DRAWING IS THE SOLE PROPERTY OF Lynden Door, Inc. ANY REPRODUCTION IN PART OR AS A WHOLE WITHOUT THE WRITTEN PERMISSION OF Lynden Door, Inc. IS PROHIBITED.

A04-00050 08/11/17



Smooth Colonist 6'8"			
All dimensions nominal before prefit and bevel.			
DW	A	B	C
3-0	11.96	3.78	4.15
2-10	9.96	3.78	5.15
2-8	9.96	3.78	4.15
2-6	8.96	3.78	4.15
2-4	7.96	3.78	4.15
2-2	5.96	3.78	5.15
2-0	5.96	3.78	4.15
1-10	5.96	3.78	3.15
Bottom rail dimension does not comply with ADA requirements.			

Smooth Colonist

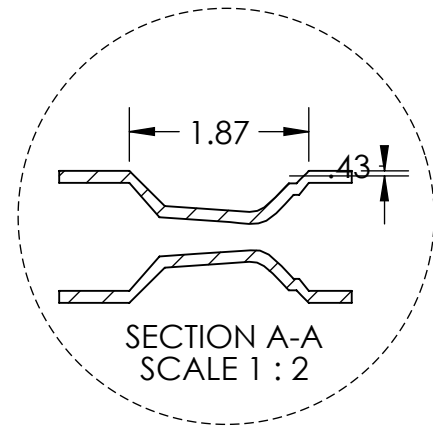
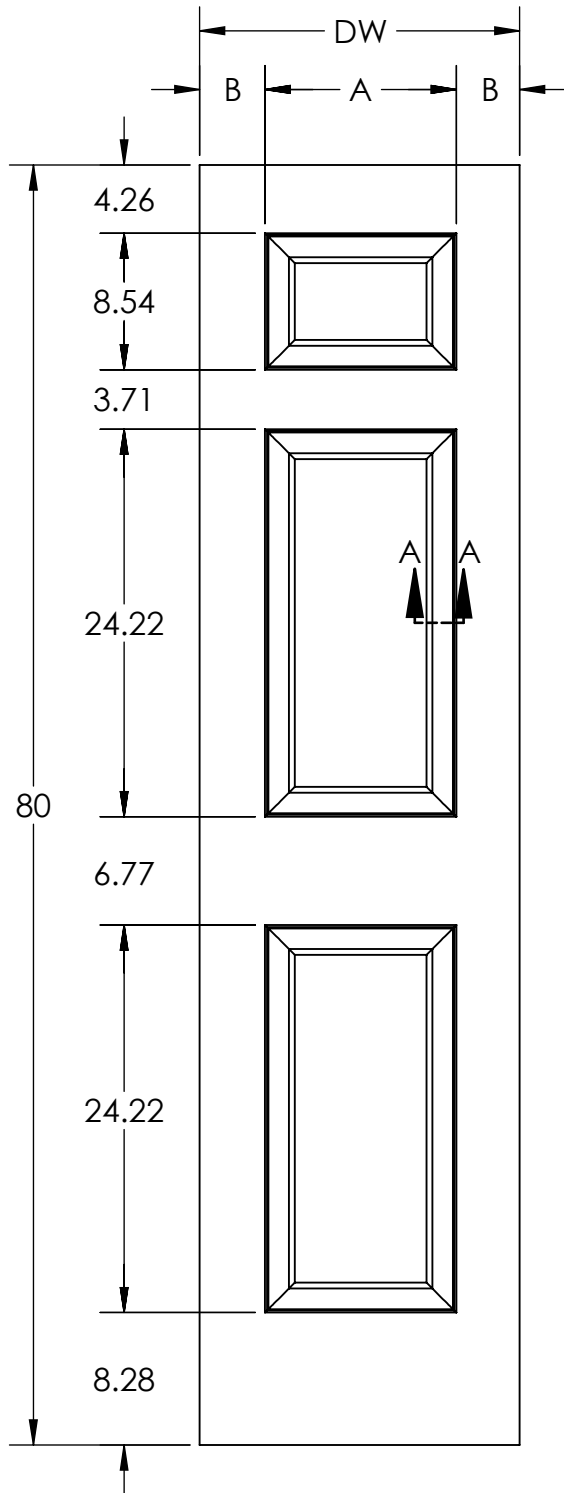
Molded Profile Door



DIMENSIONS ARE IN: inches
 DOOR TOLERANCES
 WIDTH (FULL WIDTH): $\pm 1/16$
 WIDTH (PREFIT): $\pm 1/32$
 HEIGHT: $\pm 1/16$
 SQUARE: $\pm 1/8$

THE INFORMATION CONTAINED IN THIS DRAWING IS THE SOLE PROPERTY OF Lynden Door, Inc. ANY REPRODUCTION IN PART OR AS A WHOLE WITHOUT THE WRITTEN PERMISSION OF Lynden Door, Inc. IS PROHIBITED.

A04-00044 09/20/17



Smooth Colonist 6'8"		
All dimensions nominal before prefit and bevel.		
DW	A	B
1-8	11.96	4.02
1-6	11.96	3.02
1-4	7.08	4.46
Bottom rail dimension does not comply with ADA requirements.		

Smooth Colonist

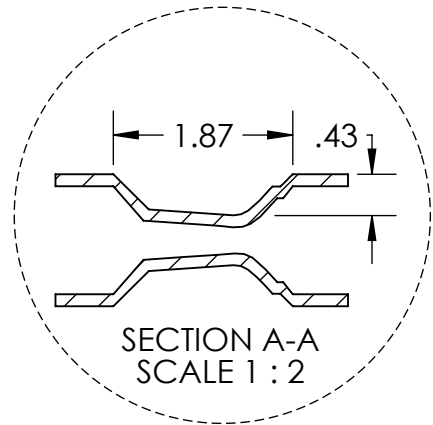
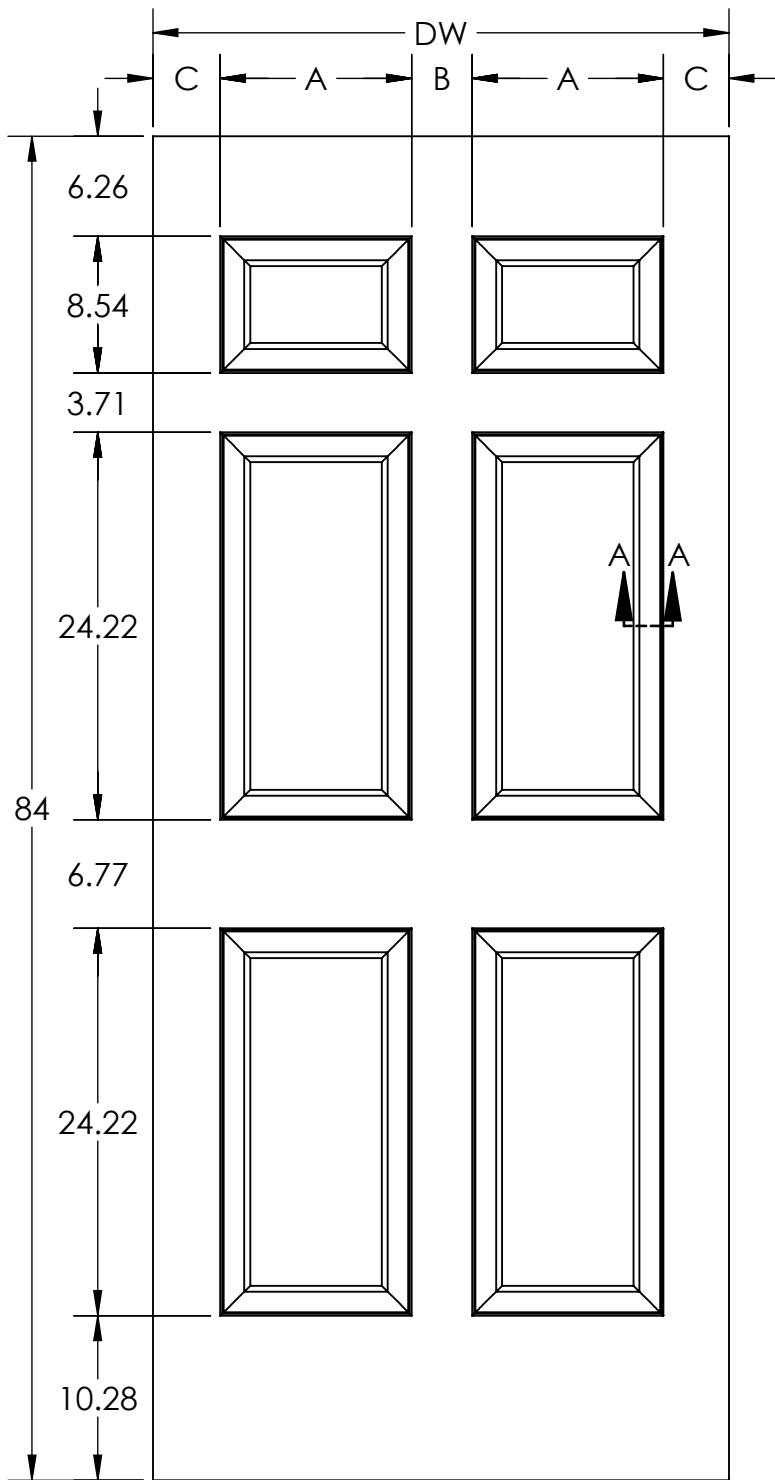
Molded Profile Door



DIMENSIONS ARE IN: inches
 DOOR TOLERANCES
 WIDTH (FULL WIDTH): ±1/16
 WIDTH (PREFIT): ±1/32
 HEIGHT: ±1/16
 SQUARE: ±1/8

THE INFORMATION CONTAINED IN THIS DRAWING IS THE
 SOLE PROPERTY OF Lynden Door, Inc. ANY
 REPRODUCTION IN PART OR AS A WHOLE WITHOUT THE
 WRITTEN PERMISSION OF Lynden Door, Inc. IS PROHIBITED.

A04-00044 09/20/17



Smooth Colonist 7'0"

All dimensions nominal before prefit and bevel.

DW	A	B	C
3-0	11.96	3.78	4.15
2-10	9.96	3.78	5.15
2-8	9.96	3.78	4.15
2-6	8.96	3.78	4.15
2-4	7.96	3.78	4.15
2-2	5.96	3.78	5.15
2-0	5.96	3.78	4.15
1-10	5.96	3.78	3.15

Bottom rail dimension complies with ADA requirements.

Smooth Colonist

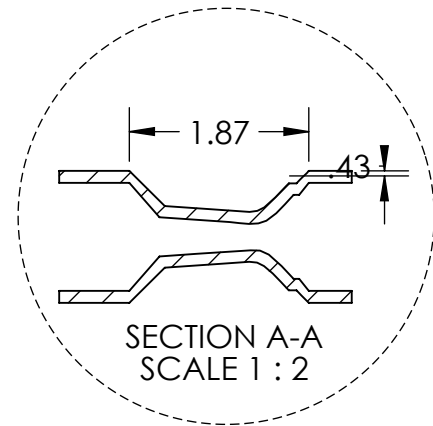
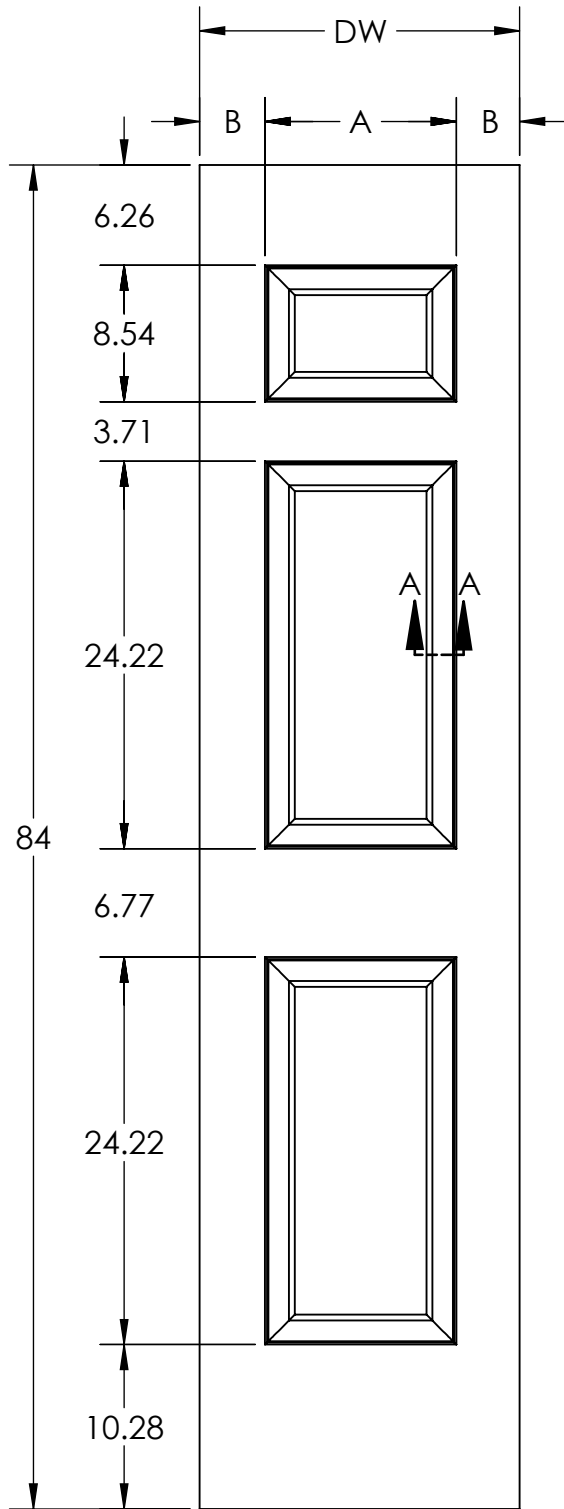
Molded Profile Door



DIMENSIONS ARE IN: inches
 DOOR TOLERANCES
 WIDTH (FULL WIDTH): ±1/16
 WIDTH (PREFIT): ±1/32
 HEIGHT: ±1/16
 SQUARE: ±1/8

THE INFORMATION CONTAINED IN THIS DRAWING IS THE SOLE PROPERTY OF Lynden Door, Inc. ANY REPRODUCTION IN PART OR AS A WHOLE WITHOUT THE WRITTEN PERMISSION OF Lynden Door, Inc. IS PROHIBITED.

A04-00044 09/20/17



Smooth Colonist 7'0"		
All dimensions nominal before prefit and bevel.		
DW	A	B
1-8	11.96	4.02
1-6	11.96	3.02
1-4*	7.08	4.46
Bottom rail dimension complies with ADA requirements.		
*Non-Stock, Contact factory for pricing and availability.		

Smooth Colonist

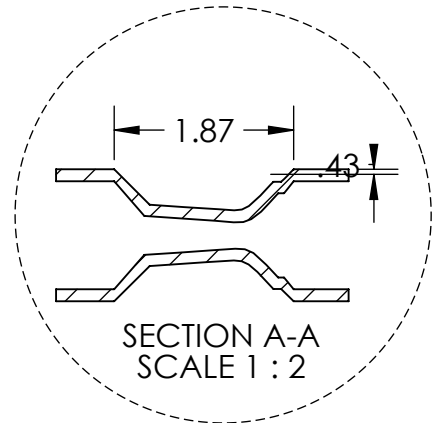
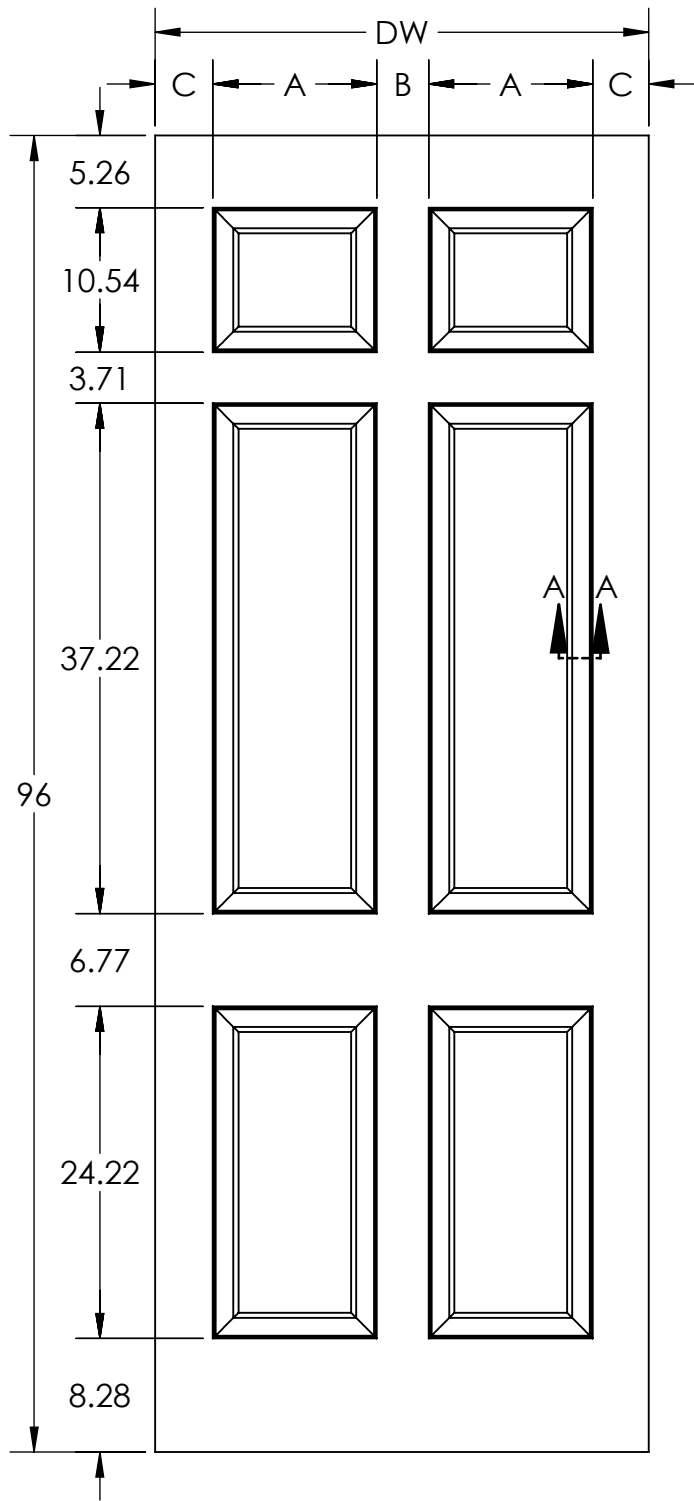
Molded Profile Door



DIMENSIONS ARE IN: Inches
 DOOR TOLERANCES
 WIDTH (FULL WIDTH): $\pm 1/16$
 WIDTH (PREFIT): $\pm 1/32$
 HEIGHT: $\pm 1/16$
 SQUARE: $\pm 1/8$

THE INFORMATION CONTAINED IN THIS DRAWING IS THE SOLE PROPERTY OF Lynden Door, Inc. ANY REPRODUCTION IN PART OR AS A WHOLE WITHOUT THE WRITTEN PERMISSION OF Lynden Door, Inc. IS PROHIBITED.

A04-00044 09/20/17



Smooth Colonist 8'0"			
All dimensions nominal before prefit and bevel.			
DW	A	B	C
3-0	11.96	3.78	4.15
2-10*	11.96	3.78	3.15
2-8	9.96	3.78	4.15
2-6	8.96	3.78	4.15
2-4	7.96	3.78	4.15
2-2*	7.96	3.78	3.15
2-0	5.96	3.78	4.15
1-10	5.96	3.78	3.15
Bottom rail dimension does not comply with ADA requirements.			
* Contact factory regarding availability of wider stile options.			

Smooth Colonist

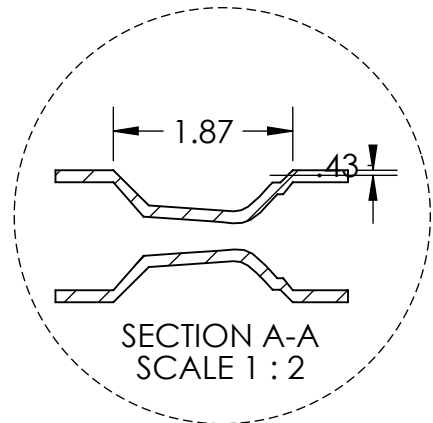
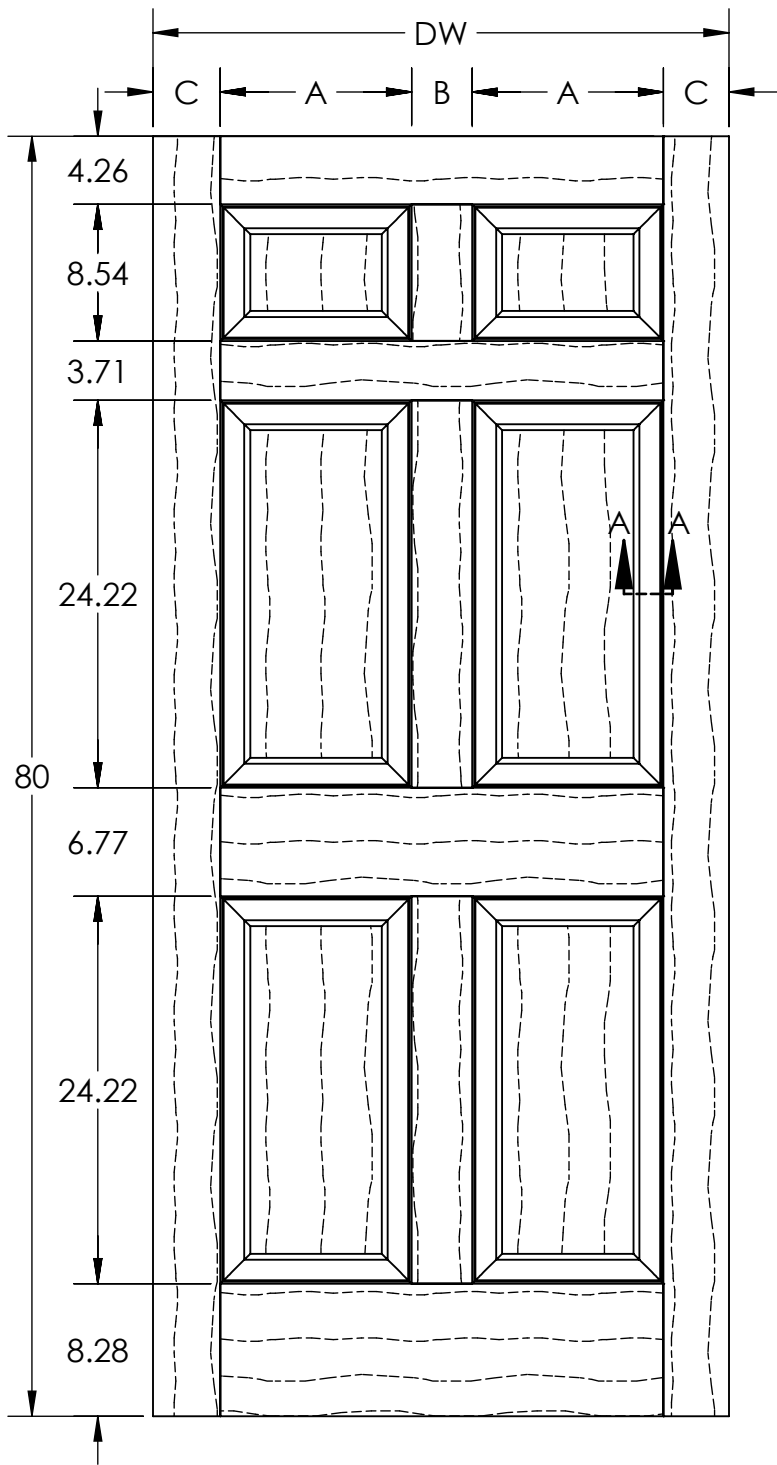
Molded Profile Door



DIMENSIONS ARE IN: inches
 DOOR TOLERANCES
 WIDTH (FULL WIDTH): $\pm 1/16$
 WIDTH (PREFIT): $\pm 1/32$
 HEIGHT: $\pm 1/16$
 SQUARE: $\pm 1/8$

THE INFORMATION CONTAINED IN THIS DRAWING IS THE SOLE PROPERTY OF Lynden Door, Inc. ANY REPRODUCTION IN PART OR AS A WHOLE WITHOUT THE WRITTEN PERMISSION OF Lynden Door, Inc. IS PROHIBITED.

A04-00044 09/20/17



Textured Colonist 6'8"			
All dimensions nominal before prefit and bevel.			
DW	A	B	C
3-0	11.96	3.78	4.15
2-10	9.96	3.78	5.15
2-8	9.96	3.78	4.15
2-6	8.96	3.78	4.15
2-4	7.96	3.78	4.15
2-2	5.96	3.78	5.15
2-0	5.96	3.78	4.15
1-10	5.96	3.78	3.15
Bottom rail dimension does not comply with ADA requirements.			

Textured Colonist

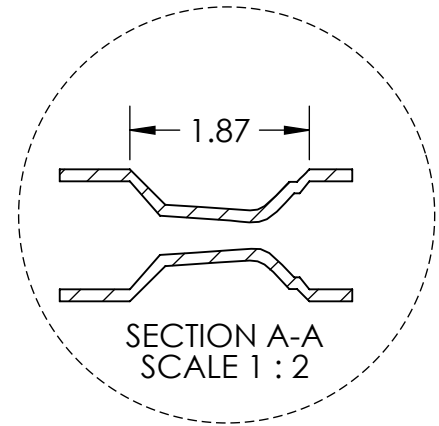
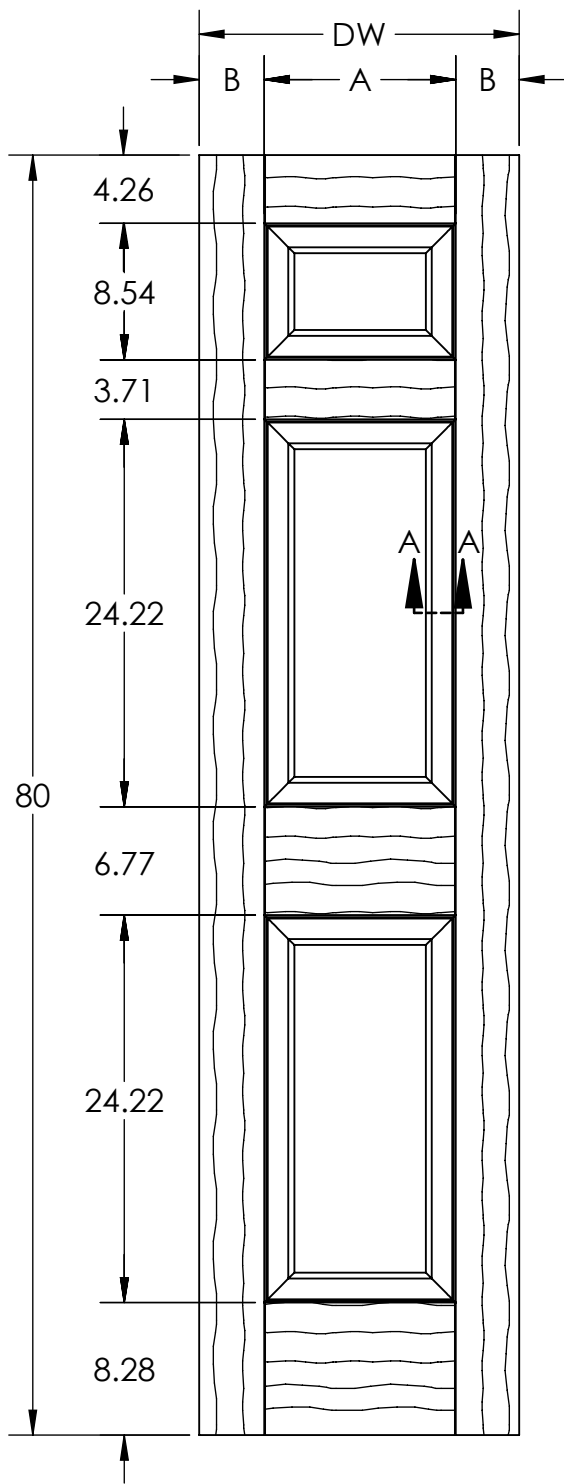
Molded Profile Door



DIMENSIONS ARE IN: inches
 DOOR TOLERANCES
 WIDTH (FULL WIDTH): ±1/16
 WIDTH (PREFIT): ±1/32
 HEIGHT: ±1/16
 SQUARE: ±1/8

THE INFORMATION CONTAINED IN THIS DRAWING IS THE SOLE PROPERTY OF Lynden Door, Inc. ANY REPRODUCTION IN PART OR AS A WHOLE WITHOUT THE WRITTEN PERMISSION OF Lynden Door, Inc. IS PROHIBITED.

A04-00044 09/20/17



Textured Colonist 6'8"		
All dimensions nominal before prefit and bevel.		
DW	A	B
1-8	11.96	4.02
1-6	11.96	3.02
1-4	7.08	4.46
Bottom rail dimension does not comply with ADA requirements.		

Textured Colonist

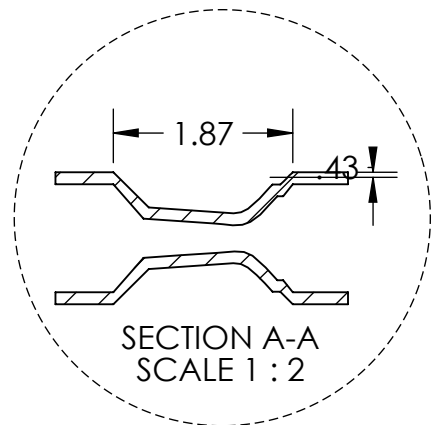
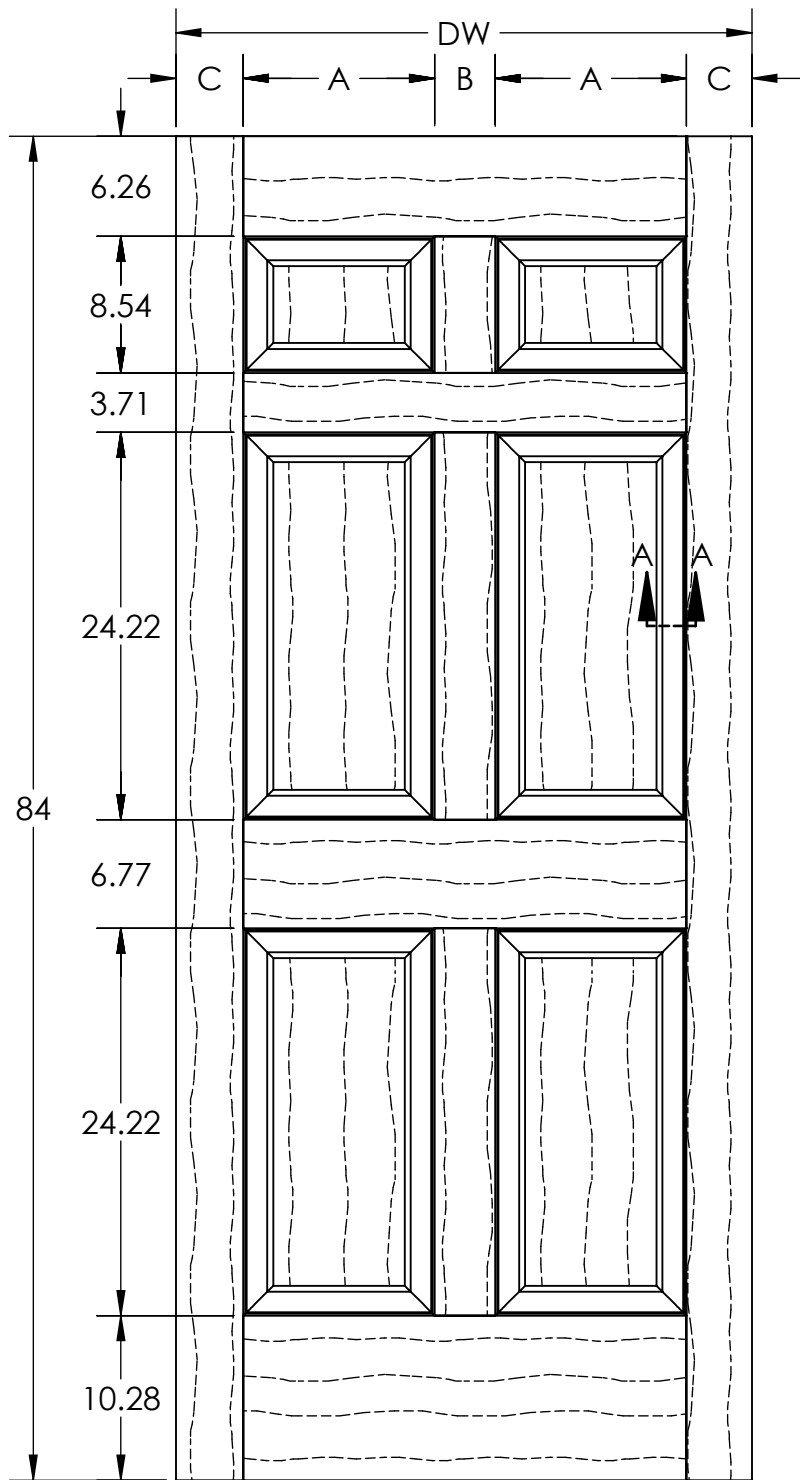
Molded Profile Door



DIMENSIONS ARE IN: inches
 DOOR TOLERANCES
 WIDTH (FULL WIDTH): $\pm 1/16$
 WIDTH (PREFIT): $\pm 1/32$
 HEIGHT: $\pm 1/16$
 SQUARE: $\pm 1/8$

THE INFORMATION CONTAINED IN THIS DRAWING IS THE SOLE PROPERTY OF Lynden Door, Inc. ANY REPRODUCTION IN PART OR AS A WHOLE WITHOUT THE WRITTEN PERMISSION OF Lynden Door, Inc. IS PROHIBITED.

A04-00044 09/20/17



Textured Colonist 7'0"			
All dimensions nominal before prefit and bevel.			
DW	A	B	C
3-0	11.96	3.78	4.15
2-10	9.96	3.78	5.15
2-8	9.96	3.78	4.15
2-6	8.96	3.78	4.15
2-4	7.96	3.78	4.15
2-2*	7.96	3.78	4.15
2-0	5.96	3.78	4.15
1-10	5.96	3.78	3.15
Bottom rail dimension complies with ADA requirements.			
* Contact factory regarding availability of wider stile options.			

Textured Colonist

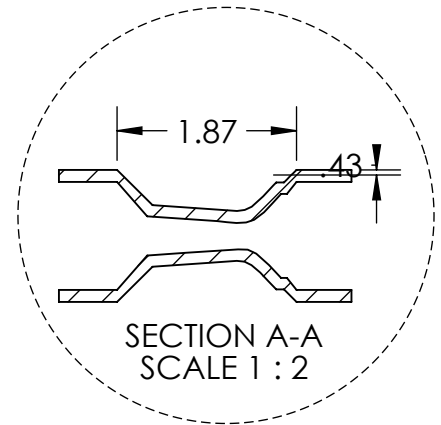
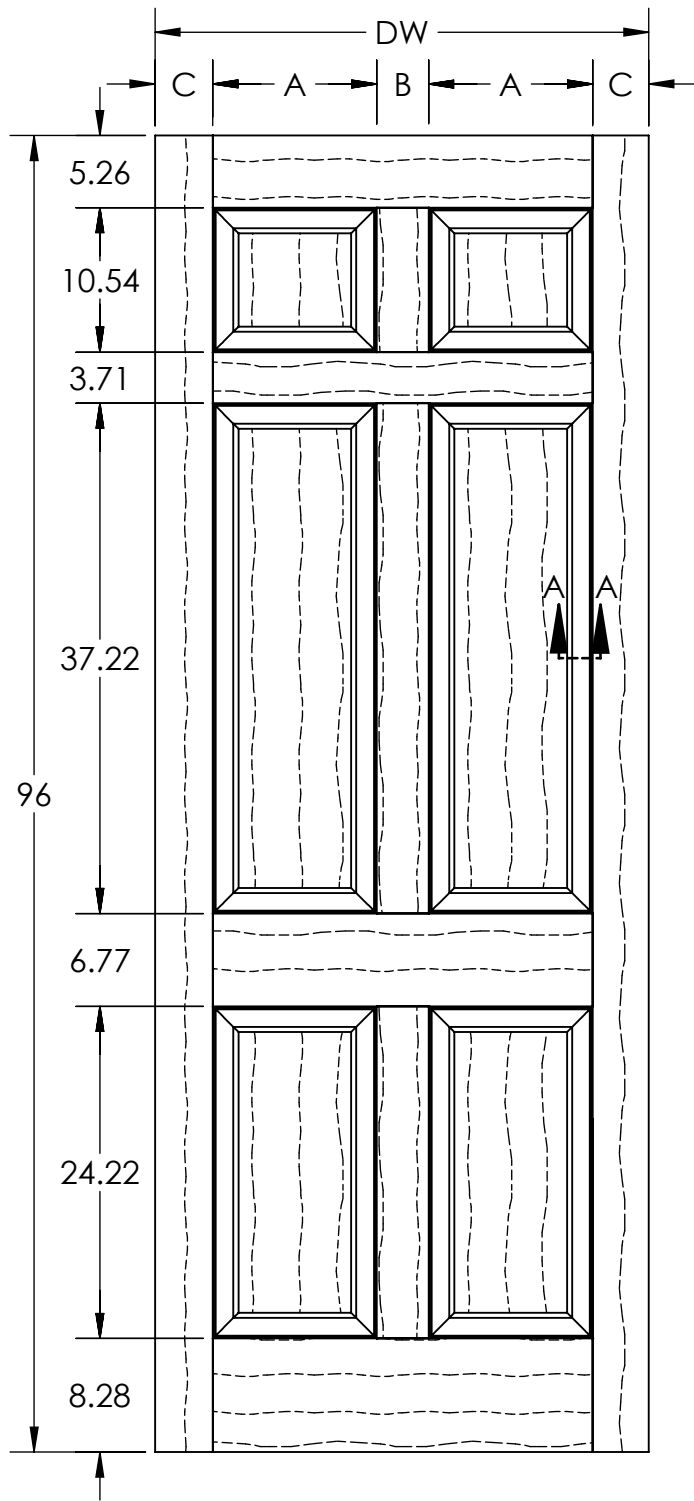
Molded Profile Door



DIMENSIONS ARE IN: inches
 DOOR TOLERANCES
 WIDTH (FULL WIDTH): ±1/16
 WIDTH (PREFIT): ±1/32
 HEIGHT: ±1/16
 SQUARE: ±1/8

THE INFORMATION CONTAINED IN THIS DRAWING IS THE SOLE PROPERTY OF Lynden Door, Inc. ANY REPRODUCTION IN PART OR AS A WHOLE WITHOUT THE WRITTEN PERMISSION OF Lynden Door, Inc. IS PROHIBITED.

A04-00044 09/20/17



Textured Colonist 8'0"			
All dimensions nominal before prefit and bevel.			
DW	A	B	C
3-0	11.96	3.78	4.15
2-10*	11.96	3.78	3.15
2-8	9.96	3.78	4.15
2-6	8.96	3.78	4.15
2-4	7.96	3.78	4.15
2-2*	7.96	3.78	3.15
2-0	5.96	3.78	4.15
1-10	5.96	3.78	3.15
Bottom rail dimension does not comply with ADA requirements.			
* Contact factory regarding availability of wider stile options.			

Textured Colonist

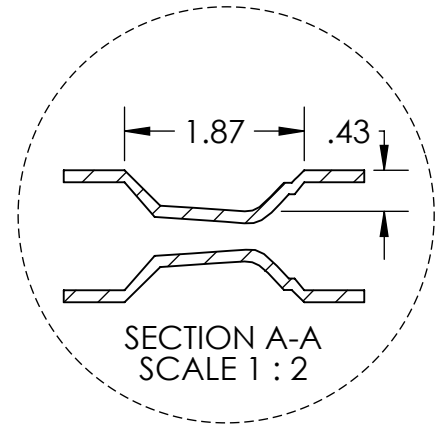
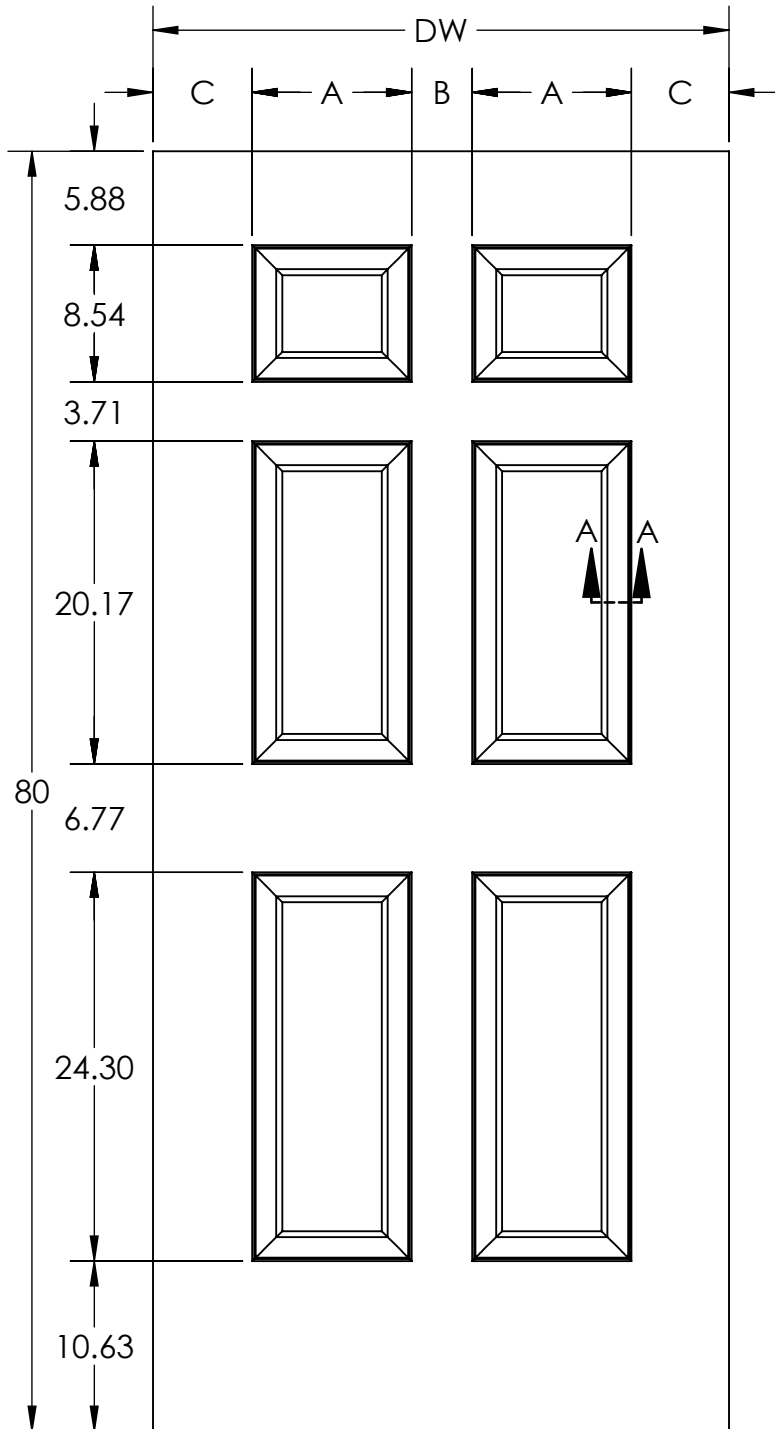
Molded Profile Door



DIMENSIONS ARE IN: Inches
 DOOR TOLERANCES
 WIDTH (FULL WIDTH): ±1/16
 WIDTH (PREFIT): ±1/32
 HEIGHT: ±1/16
 SQUARE: ±1/8

THE INFORMATION CONTAINED IN THIS DRAWING IS THE SOLE PROPERTY OF Lynden Door, Inc. ANY REPRODUCTION IN PART OR AS A WHOLE WITHOUT THE WRITTEN PERMISSION OF Lynden Door, Inc. IS PROHIBITED.

A04-00044 09/20/17



Commercial Colonist 6'8"

All dimensions nominal before profit and bevel.

DW	A	B	C
3-0	9.96	3.78	6.21

Bottom rail dimension complies with ADA requirements.

Commercial Colonist

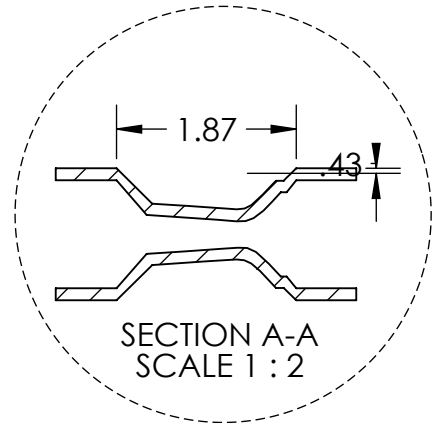
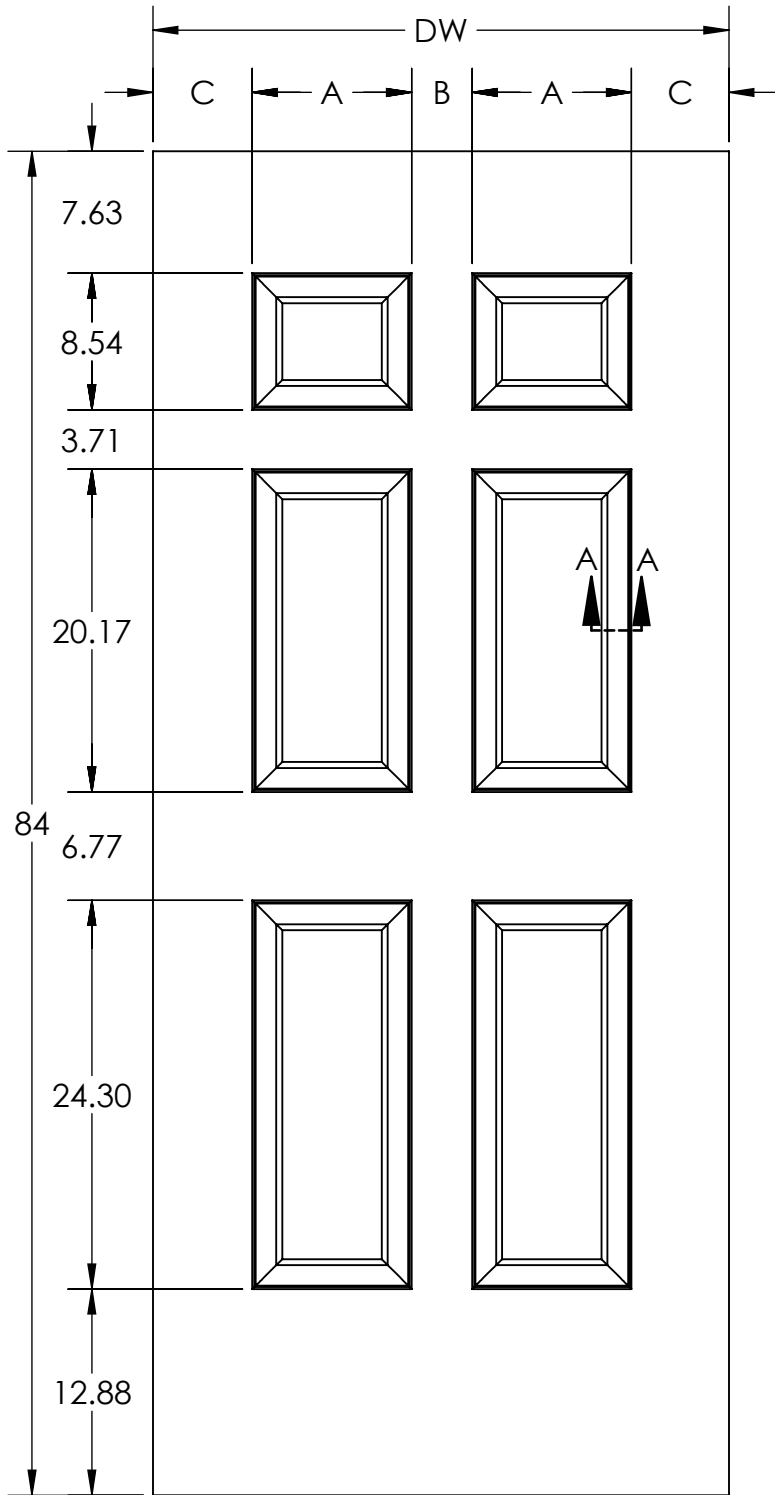
Molded Profile Door



DIMENSIONS ARE IN: inches
 DOOR TOLERANCES
 WIDTH (FULL WIDTH): ±1/16
 WIDTH (PREFIT): ±1/32
 HEIGHT: ±1/16
 SQUARE: ±1/8

THE INFORMATION CONTAINED IN THIS DRAWING IS THE SOLE PROPERTY OF Lynden Door, Inc. ANY REPRODUCTION IN PART OR AS A WHOLE WITHOUT THE WRITTEN PERMISSION OF Lynden Door, Inc. IS PROHIBITED.

A04-00044 09/20/17



Commercial Colonist 7'0"			
All dimensions nominal before prefit and bevel.			
DW	A	B	C
3-0	9.96	3.78	6.21
Bottom rail dimension complies with ADA requirements.			

Commercial Colonist

Molded Profile Door



DIMENSIONS ARE IN: inches
 DOOR TOLERANCES
 WIDTH (FULL WIDTH): ±1/16
 WIDTH (PREFIT): ±1/32
 HEIGHT: ±1/16
 SQUARE: ±1/8

THE INFORMATION CONTAINED IN THIS DRAWING IS THE SOLE PROPERTY OF Lynden Door, Inc. ANY REPRODUCTION IN PART OR AS A WHOLE WITHOUT THE WRITTEN PERMISSION OF Lynden Door, Inc. IS PROHIBITED.

A04-00044 09/20/17