

Aberdeen 6'8"		
All dimensions nominal before prefit and bevel.		
DW	A	B
3-0	26.50	4.75
2-10	22.50	5.75
2-8	22.50	4.75
2-6	20.50	4.75
2-4	18.50	4.75
2-2	15.50	5.25
2-0	15.50	4.25
1-10	11.50	5.25
1-8	11.50	4.25
1-6	9.25	4.38
Bottom rail dimension complies with ADA requirements.		

Aberdeen

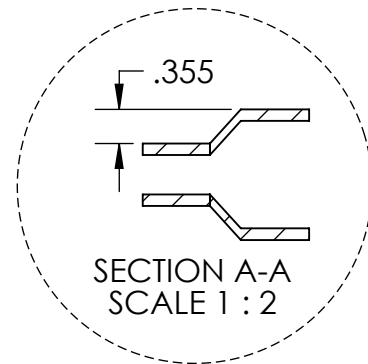
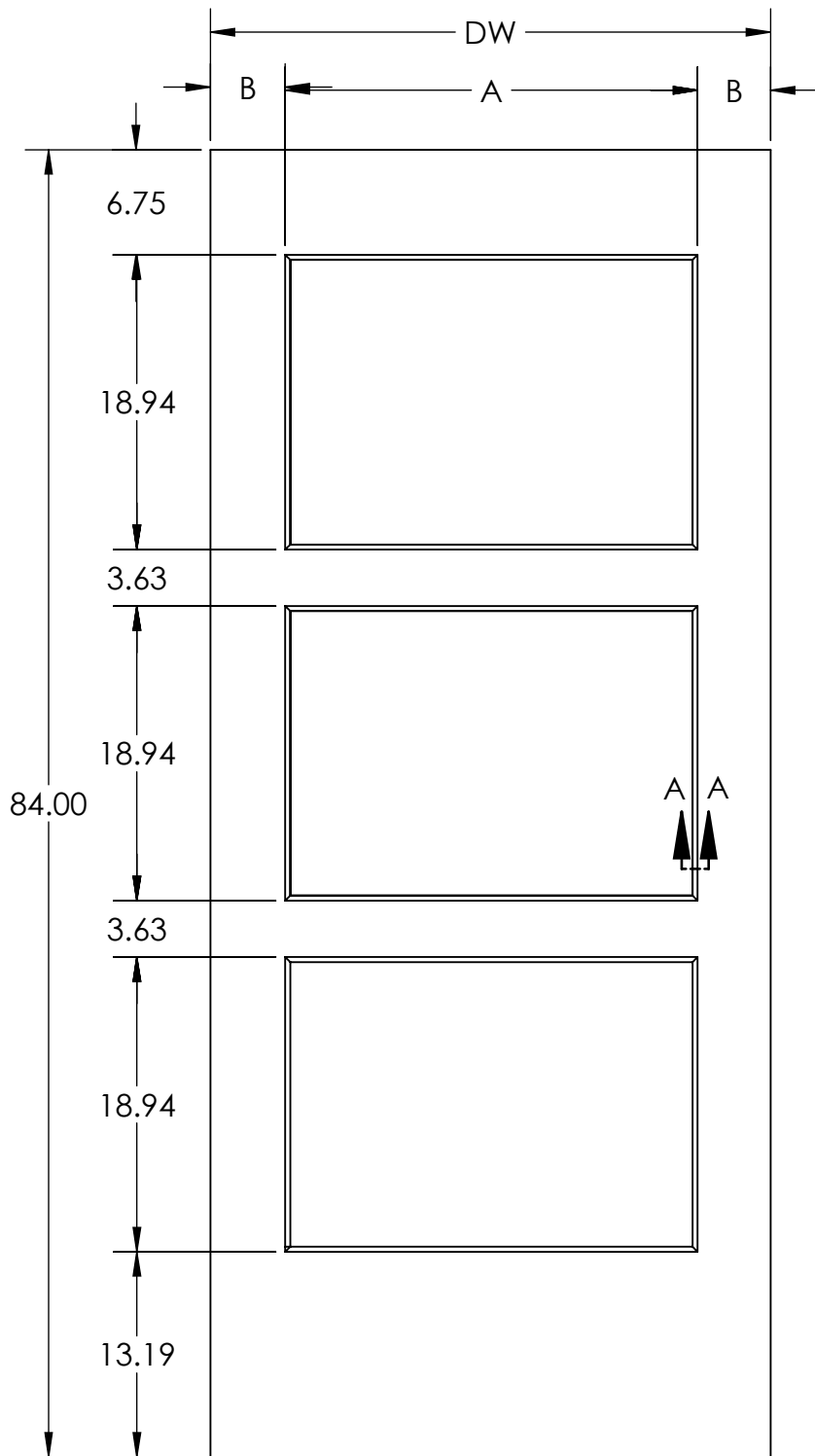
Molded Profile Door



DIMENSIONS ARE IN: inches
 DOOR TOLERANCES
 WIDTH (FULL WIDTH): ±1/16
 WIDTH (PREFIT): ±1/32
 HEIGHT: ±1/16
 SQUARE: ±1/8

THE INFORMATION CONTAINED IN THIS DRAWING IS THE SOLE PROPERTY OF Lynden Door, Inc. ANY REPRODUCTION IN PART OR AS A WHOLE WITHOUT THE WRITTEN PERMISSION OF Lynden Door, Inc. IS PROHIBITED.

A04-00058 | 11/27/18



Aberdeen 7'0"		
All dimensions nominal before prefit and bevel.		
DW	A	B
3-0	26.50	4.75
2-10	22.50	5.75
2-8	22.50	4.75
2-6	20.50	4.75
2-4	18.50	4.75
2-2	15.50	5.25
2-0	15.50	4.25
1-10	11.50	5.25
1-8	11.50	4.25
1-6	9.25	4.38
Bottom rail dimension complies with ADA requirements.		

Aberdeen

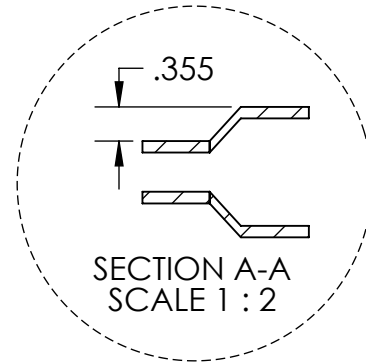
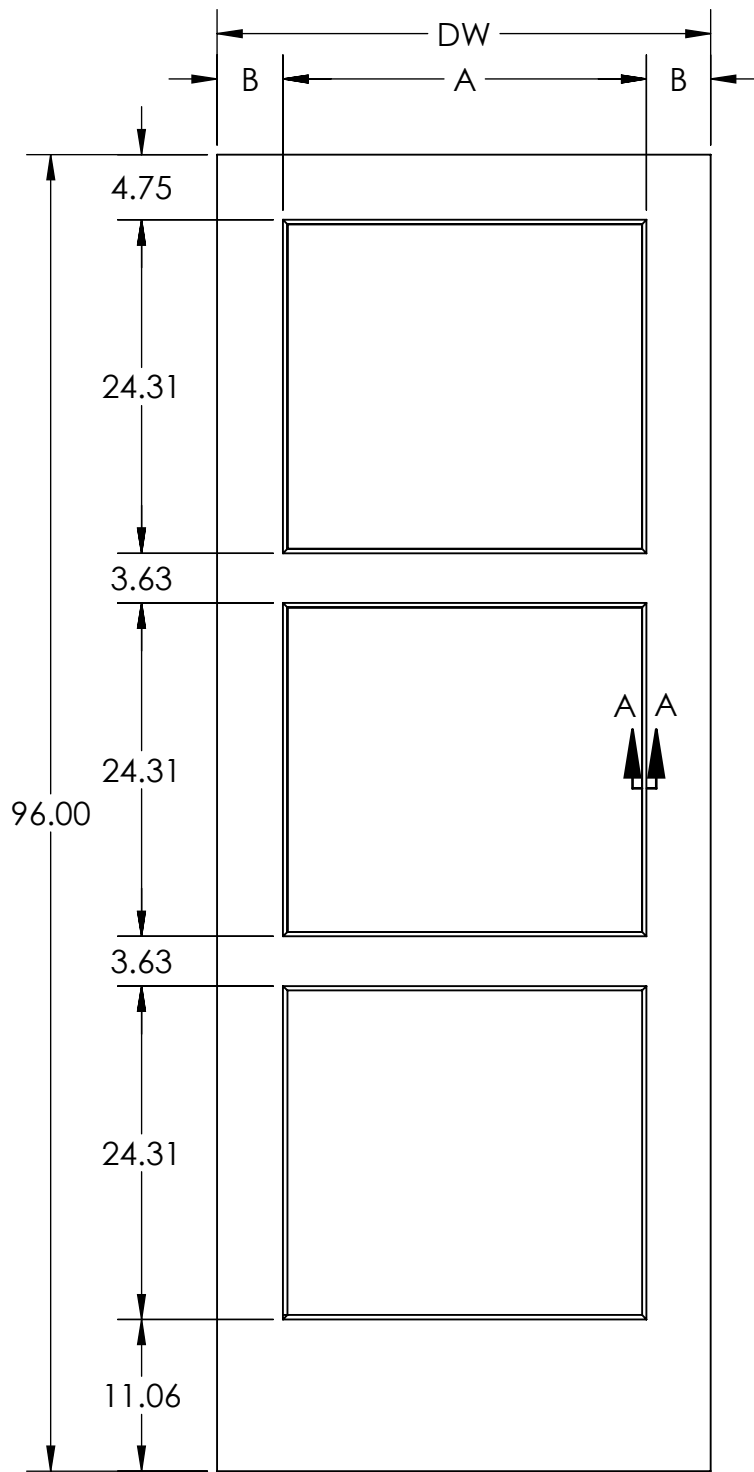
Molded Profile Door



DIMENSIONS ARE IN: inches
 DOOR TOLERANCES
 WIDTH (FULL WIDTH): ±1/16
 WIDTH (PREFIT): ±1/32
 HEIGHT: ±1/16
 SQUARE: ±1/8

THE INFORMATION CONTAINED IN THIS DRAWING IS THE SOLE PROPERTY OF Lynden Door, Inc. ANY REPRODUCTION IN PART OR AS A WHOLE WITHOUT THE WRITTEN PERMISSION OF Lynden Door, Inc. IS PROHIBITED.

A04-00058 | 11/27/18



Aberdeen 8'0"		
All dimensions nominal before prefit and bevel.		
DW	A	B
3-0	26.50	4.75
2-10	22.50	5.75
2-8	22.50	4.75
2-6	20.50	4.75
2-4	18.50	4.75
2-2*	18.50	3.75
2-0	15.50	4.25
1-10*	15.50	3.25
1-8*	15.50	2.25
1-6	9.25	4.38
Bottom rail dimension complies with ADA requirements.		
*Contact factory regarding availability of wider stile options.		

Aberdeen

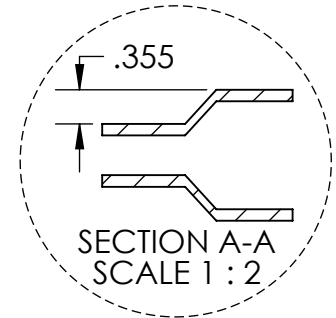
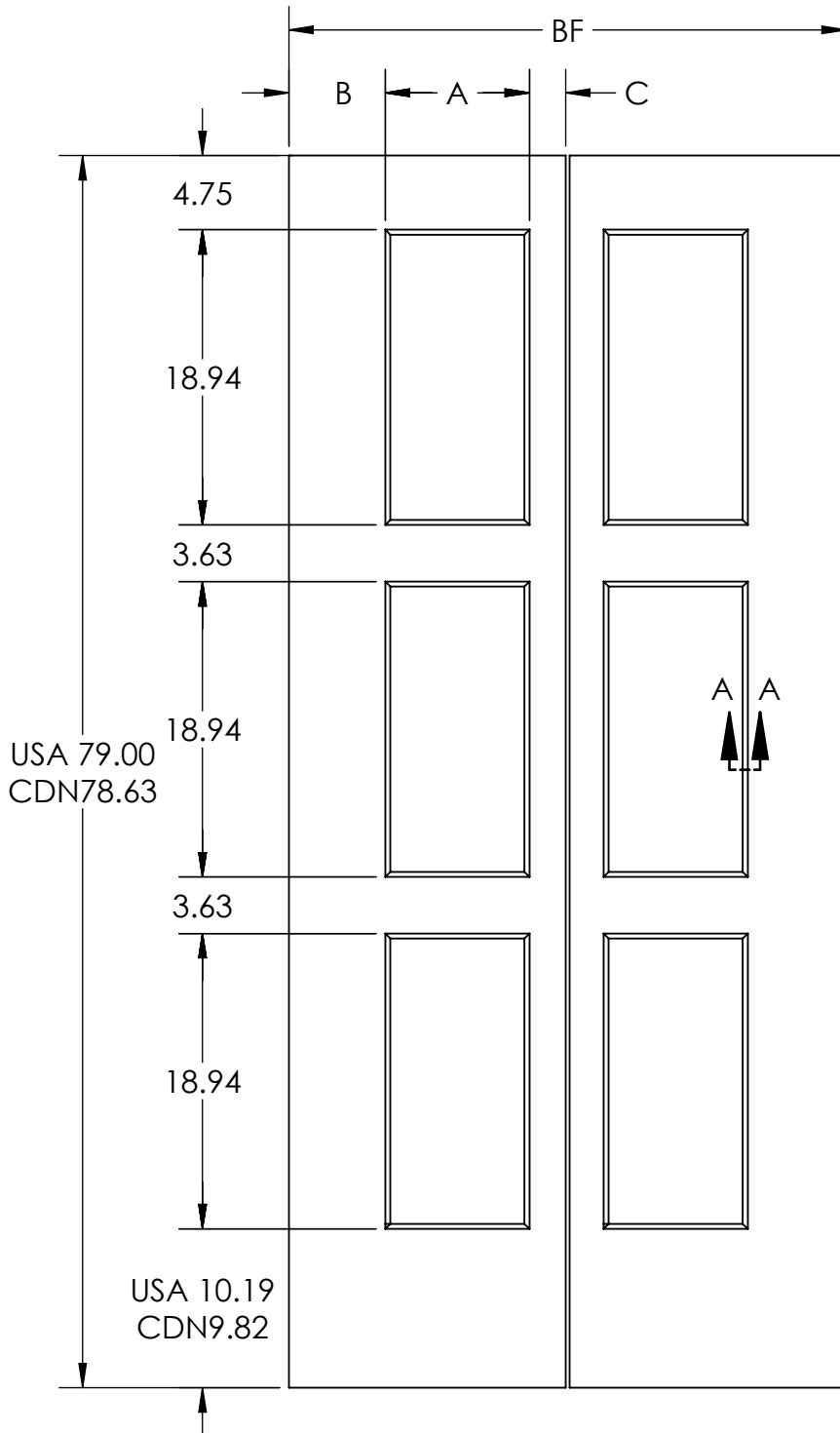
Molded Profile Door



DIMENSIONS ARE IN: Inches
 DOOR TOLERANCES
 WIDTH (FULL WIDTH): ±1/16
 WIDTH (PREFIT): ±1/32
 HEIGHT: ±1/16
 SQUARE: ±1/8

THE INFORMATION CONTAINED IN THIS DRAWING IS THE SOLE PROPERTY OF Lynden Door, Inc. ANY REPRODUCTION IN PART OR AS A WHOLE WITHOUT THE WRITTEN PERMISSION OF Lynden Door, Inc. IS PROHIBITED.

A04-00058 | 11/27/18



Aberdeen Bifold 6'8"			
BF	A	B	C
3-0	9.25	6.18	2.32
2-8	9.25	3.18	2.32
2-6	7.50	5.18	2.07
2-4	7.50	4.18	2.07
2-0	6.00	4.18	1.57
1-8	6.00	2.18	1.57
1-6	6.00	1.87	0.88

Use of heavy duty hardware may require additional undercut. Lynden Door standard is 3/4"

Aberdeen

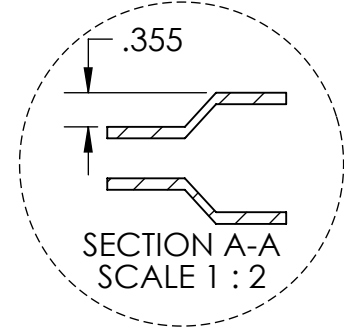
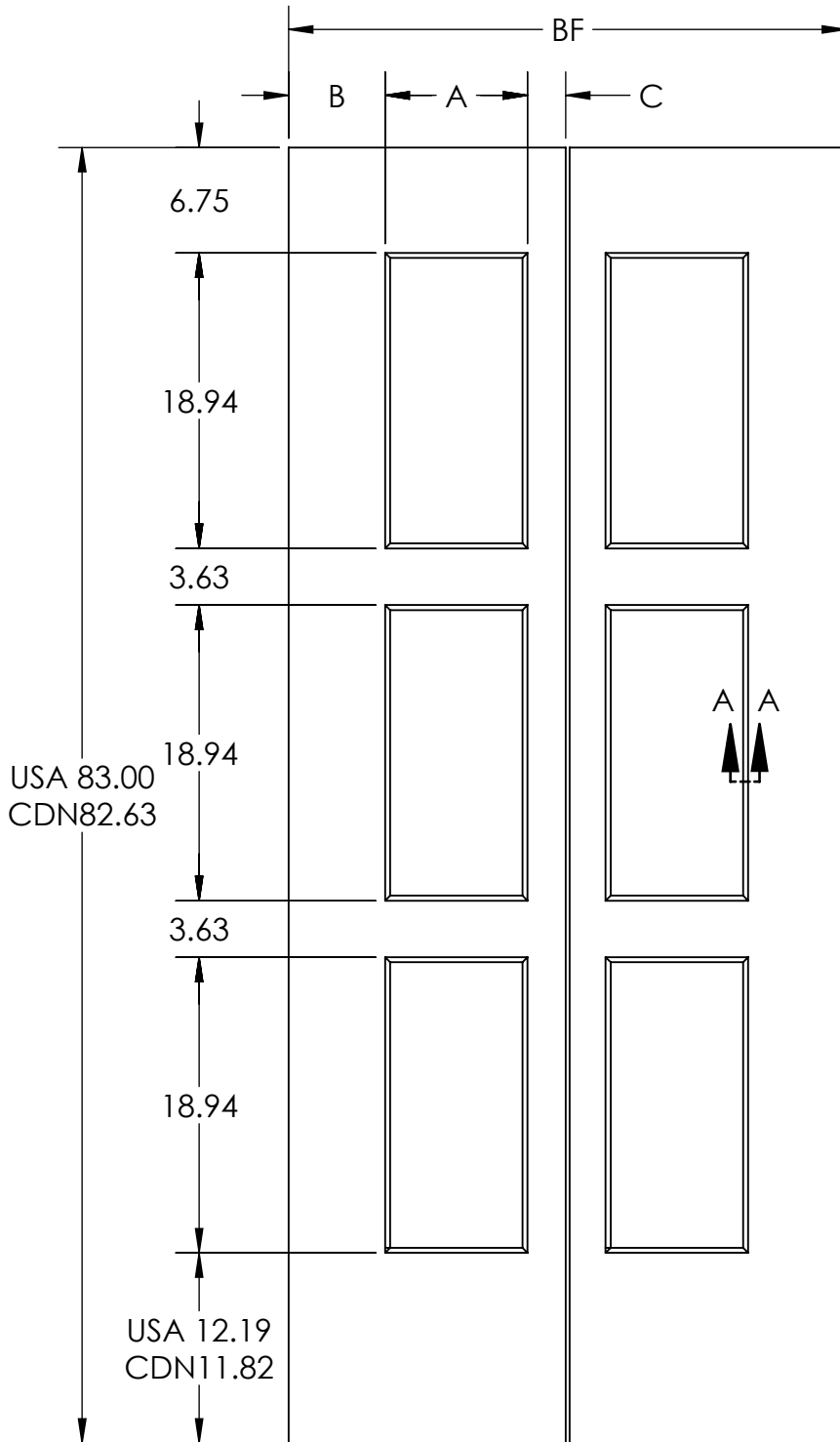
Molded Profile Bifold



DIMENSIONS ARE IN: Inches
 DOOR TOLERANCES
 WIDTH (FULL WIDTH): ±1/16
 WIDTH (PREFIT): ±1/32
 HEIGHT: ±1/16
 SQUARE: ±1/8

THE INFORMATION CONTAINED IN THIS DRAWING IS THE SOLE PROPERTY OF Lynden Door, Inc. ANY REPRODUCTION IN PART OR AS A WHOLE WITHOUT THE WRITTEN PERMISSION OF Lynden Door, Inc. IS PROHIBITED.

A04-00058 11/27/18



Aberdeen Bifold 7'0"			
BF	A	B	C
3-0*	9.25	6.18	2.32
2-8*	9.25	3.18	2.32
2-6*	7.50	5.18	2.07
2-4*	7.50	4.18	2.07
2-0*	6.00	4.18	1.57
1-8*	6.00	2.18	1.57
1-6*	6.00	1.87	0.88
Use of heavy duty hardware may require additional undercut. Lynden Door standard is 3/4"			
* Non-Stock, Contact factory for pricing and availability.			

Aberdeen

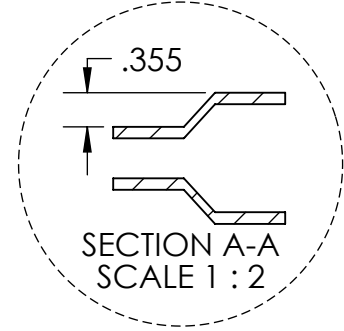
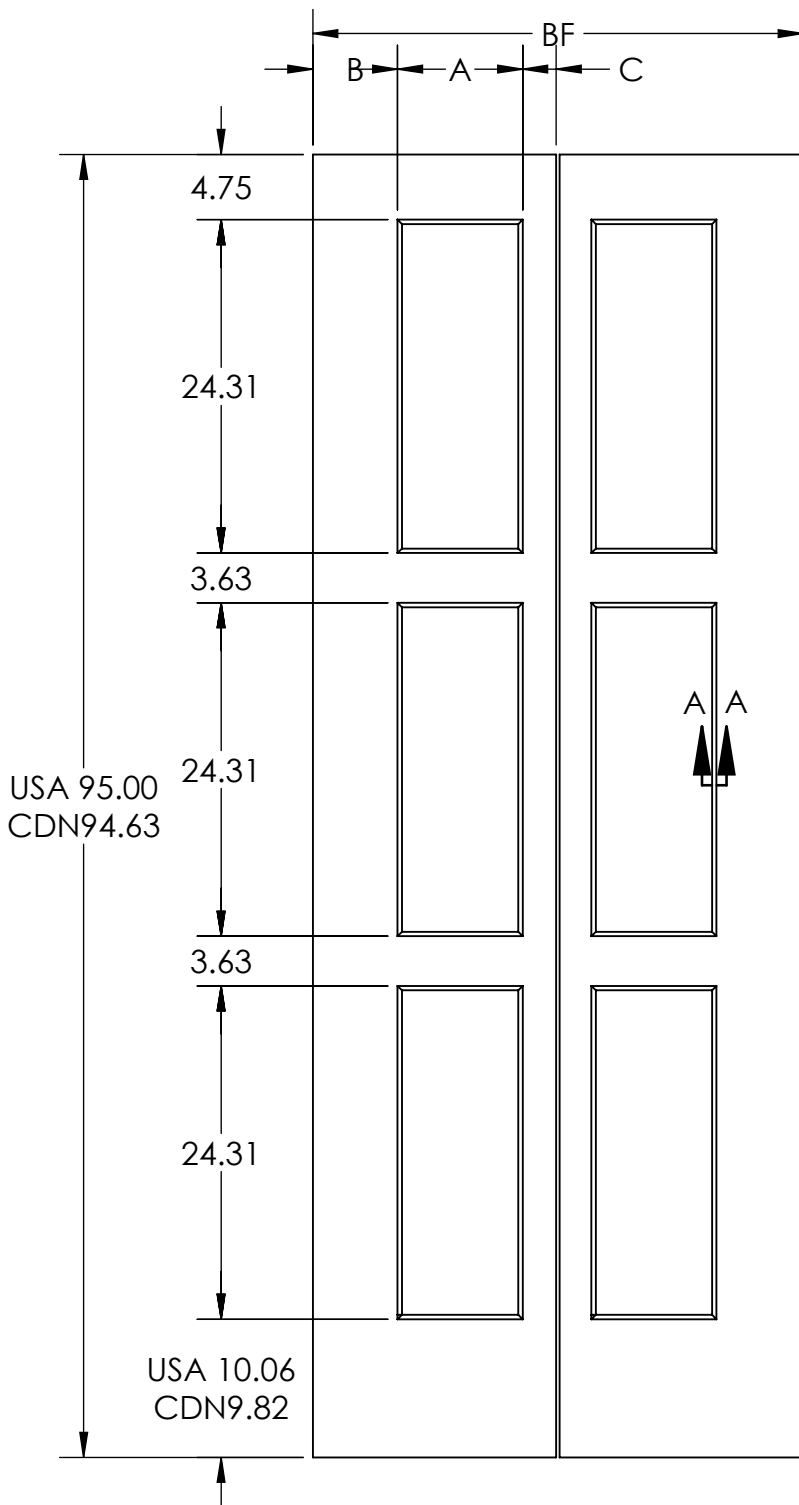
Molded Profile Bifold



DIMENSIONS ARE IN: inches
 DOOR TOLERANCES
 WIDTH (FULL WIDTH): ±1/16
 WIDTH (PREFIT): ±1/32
 HEIGHT: ±1/16
 SQUARE: ±1/8

THE INFORMATION CONTAINED IN THIS DRAWING IS THE SOLE PROPERTY OF Lynden Door, Inc. ANY REPRODUCTION IN PART OR AS A WHOLE WITHOUT THE WRITTEN PERMISSION OF Lynden Door, Inc. IS PROHIBITED.

A04-00058 11/27/18



Aberdeen Bifold 8'0"			
BF	A	B	C
3-0*	9.25	6.18	2.32
2-8*	9.25	3.18	2.32
2-6*	7.50	5.18	2.07
2-4*	7.50	4.18	2.07
2-0*	6.00	4.18	1.57
1-8*	6.00	2.18	1.57
1-6*	6.00	1.87	0.88
Use of heavy duty hardware may require additional undercut. Lynden Door standard is 3/4"			
* Non-Stock, Contact factory for pricing and availability.			

Aberdeen

Molded Profile Bifold



DIMENSIONS ARE IN: Inches
 DOOR TOLERANCES
 WIDTH (FULL WIDTH): ±1/16
 WIDTH (PREFIT): ±1/32
 HEIGHT: ±1/16
 SQUARE: ±1/8

THE INFORMATION CONTAINED IN THIS DRAWING IS THE SOLE PROPERTY OF Lynden Door, Inc. ANY REPRODUCTION IN PART OR AS A WHOLE WITHOUT THE WRITTEN PERMISSION OF Lynden Door, Inc. IS PROHIBITED.

A04-00058 11/27/18