

Mercer 6'8"		
All dimensions nominal before prefit and bevel.		
DW	A	B
3-0	26.50	4.75
2-10	22.50	5.75
2-8	22.50	4.75
2-6	20.50	4.75
2-4	18.50	4.75
2-2	15.50	5.25
2-0	15.50	4.25
1-10	15.50	3.25
1-8	11.50	4.25
1-6	7.81	5.09
Bottom rail dimension does not comply with ADA requirements.		

Mercer

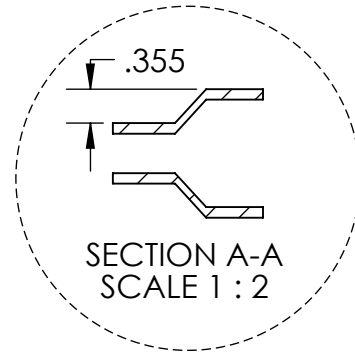
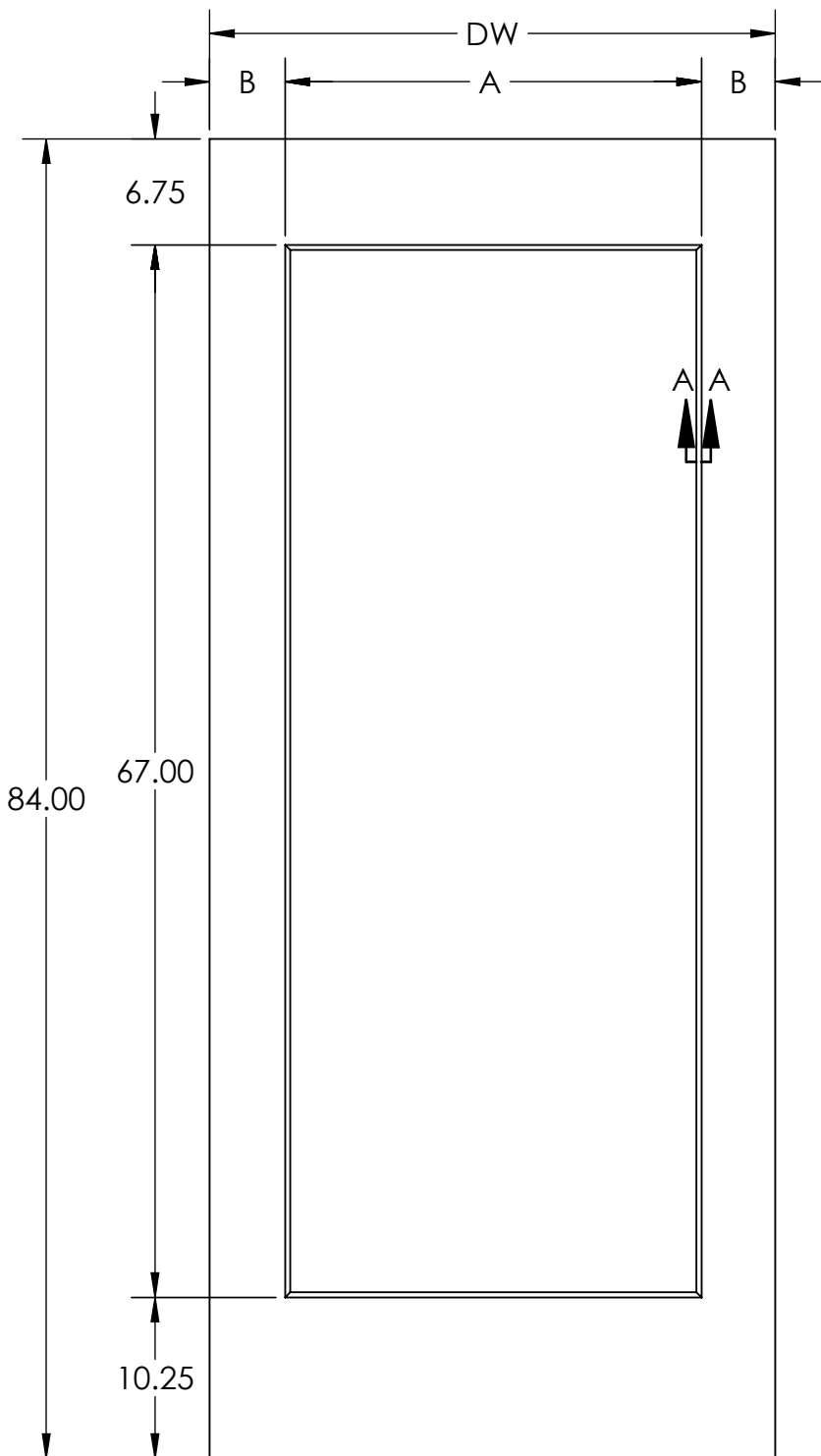
Molded Profile Door



DIMENSIONS ARE IN: inches
 DOOR TOLERANCES
 WIDTH (FULL WIDTH): $\pm 1/16$
 WIDTH (PREFIT): $\pm 1/32$
 HEIGHT: $\pm 1/16$
 SQUARE: $\pm 1/8$

THE INFORMATION CONTAINED IN THIS DRAWING IS THE
 SOLE PROPERTY OF Lynden Door, Inc. ANY
 REPRODUCTION IN PART OR AS A WHOLE WITHOUT THE
 WRITTEN PERMISSION OF Lynden Door, Inc. IS PROHIBITED.

A04-00040 03/08/18



Mercer 7'0"		
All dimensions nominal before prefit and bevel.		
DW	A	B
3-0	26.50	4.75
2-10	22.50	5.75
2-8	22.50	4.75
2-6	20.50	4.75
2-4	18.50	4.75
2-2	15.50	5.25
2-0	15.50	4.25
1-10	11.50	5.25
1-8	11.50	4.25
1-6	7.81	5.09
Bottom rail dimension complies with ADA requirements.		

Mercer

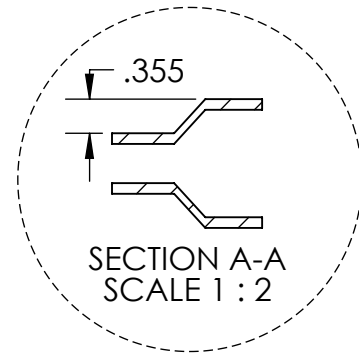
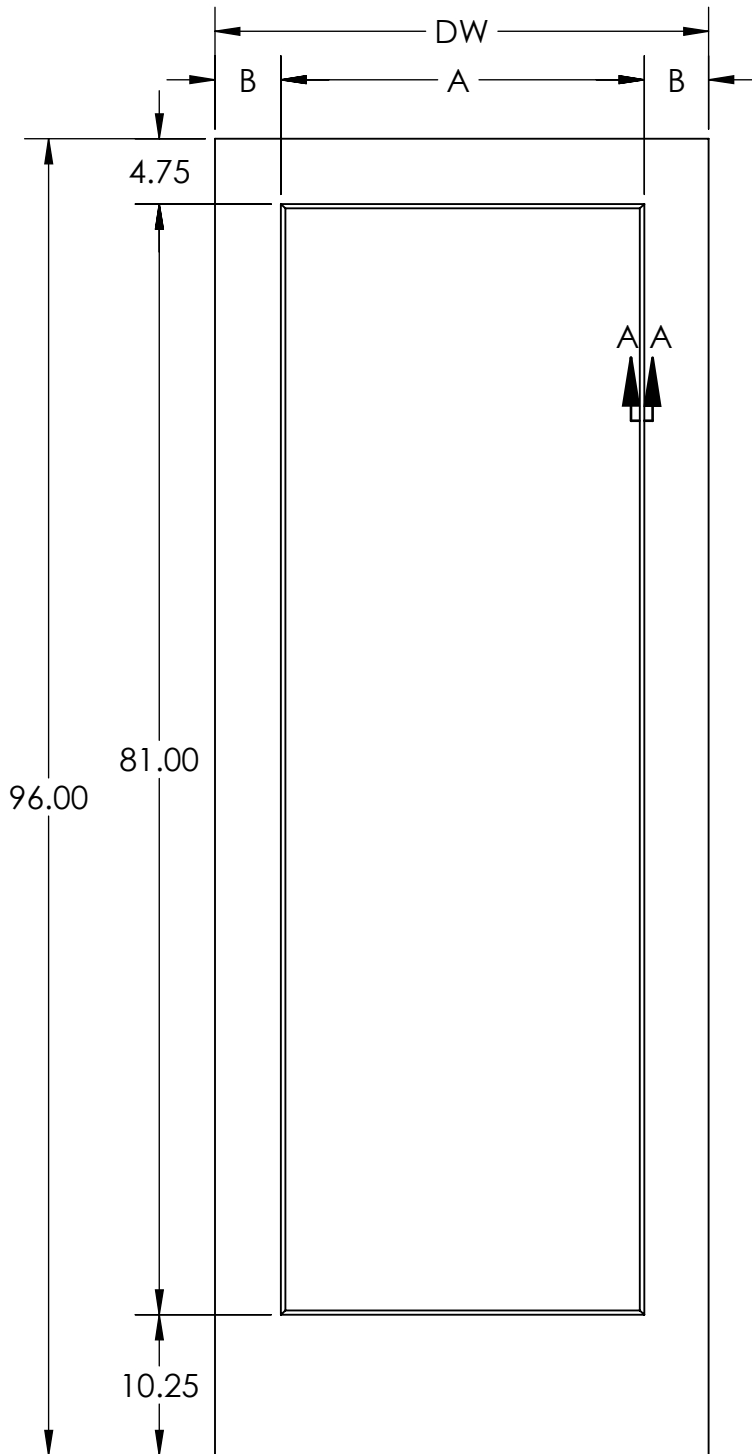
Molded Profile Door



DIMENSIONS ARE IN: inches
 DOOR TOLERANCES
 WIDTH (FULL WIDTH): $\pm 1/16$
 WIDTH (PREFIT): $\pm 1/32$
 HEIGHT: $\pm 1/16$
 SQUARE: $\pm 1/8$

THE INFORMATION CONTAINED IN THIS DRAWING IS THE
 SOLE PROPERTY OF Lynden Door, Inc. ANY
 REPRODUCTION IN PART OR AS A WHOLE WITHOUT THE
 WRITTEN PERMISSION OF Lynden Door, Inc. IS PROHIBITED.

A04-00040 03/08/18



Mercer 8'0"		
All dimensions nominal before prefit and bevel.		
DW	A	B
3-0	26.50	4.75
2-10	22.50	5.75
2-8	22.50	4.75
2-6	20.50	4.75
2-4	18.50	4.75
2-2*	18.50	3.75
2-0	15.50	4.25
1-10*	15.50	3.25
1-8*	15.50	2.25
1-6	7.81	5.09
Bottom rail dimension complies with ADA requirements.		
*Contact factory regarding availability of wider stile options.		

Mercer

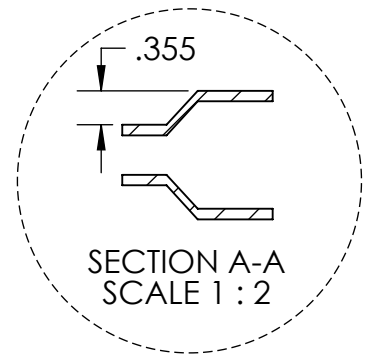
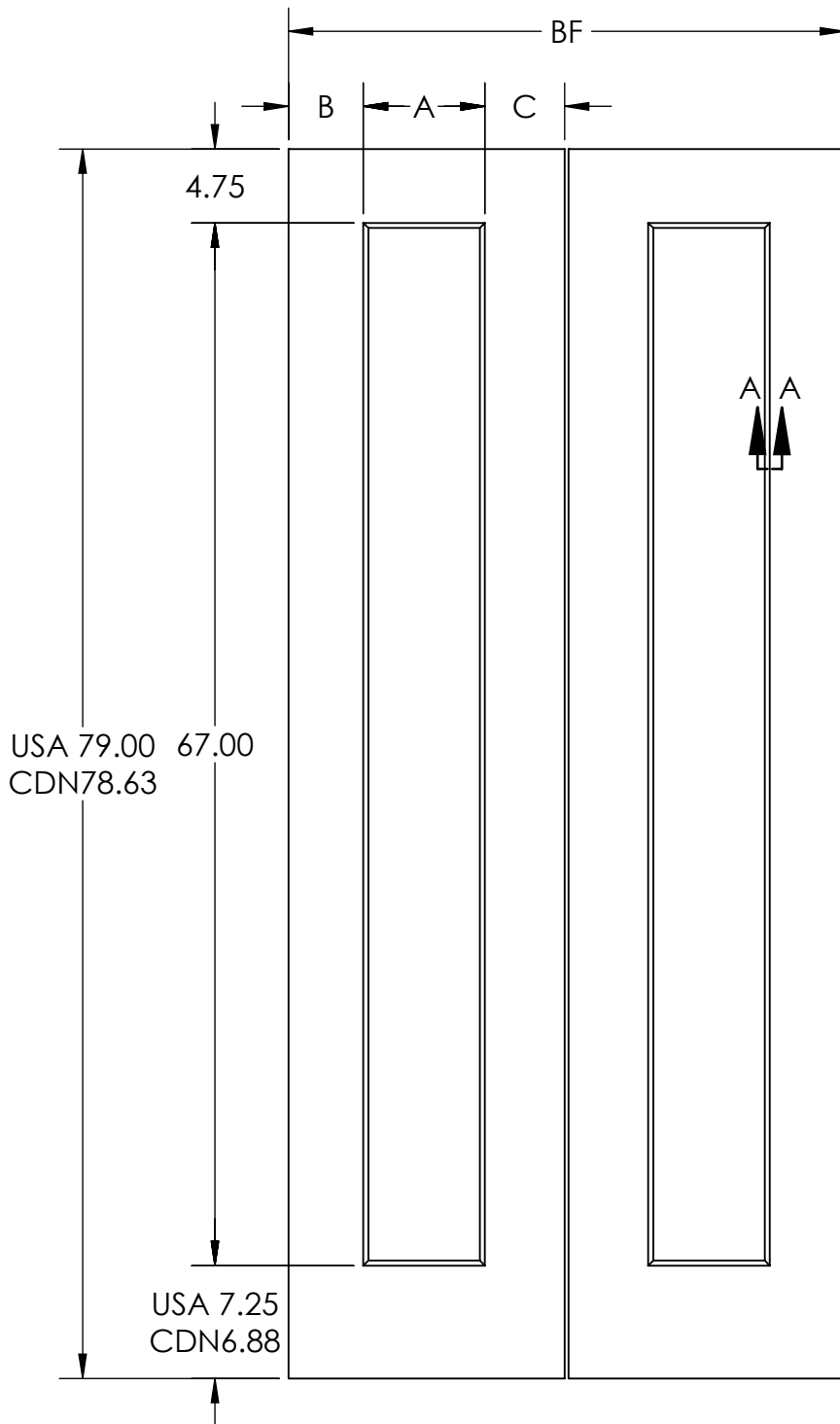
Molded Profile Door



DIMENSIONS ARE IN: inches
 DOOR TOLERANCES
 WIDTH (FULL WIDTH): $\pm 1/16$
 WIDTH (PREFIT): $\pm 1/32$
 HEIGHT: $\pm 1/16$
 SQUARE: $\pm 1/8$

THE INFORMATION CONTAINED IN THIS DRAWING IS THE SOLE PROPERTY OF Lynden Door, Inc. ANY REPRODUCTION IN PART OR AS A WHOLE WITHOUT THE WRITTEN PERMISSION OF Lynden Door, Inc. IS PROHIBITED.

A04-00040 03/08/18



Mercer Bifold 6'8"			
BF	A	B	C
3-0	7.81	4.82	5.12
2-8	7.81	5.12	2.82
2-6	5.37	4.54	4.84
2-4	5.37	4.84	3.54
2-0	4.25	3.59	3.91
1-8	4.25	3.91	1.59
1-6	4.25	3.16	1.34

Use of heavy duty hardware may require additional undercut. Lynden Door standard is 3/4"

Mercer

Molded Profile Bifold



DIMENSIONS ARE IN: inches
DOOR TOLERANCES
WIDTH (FULL WIDTH): $\pm 1/16$
WIDTH (PREFIT): $\pm 1/32$
HEIGHT: $\pm 1/16$
SQUARE: $\pm 1/8$

THE INFORMATION CONTAINED IN THIS DRAWING IS THE SOLE PROPERTY OF Lynden Door, Inc. ANY REPRODUCTION IN PART OR AS A WHOLE WITHOUT THE WRITTEN PERMISSION OF Lynden Door, Inc. IS PROHIBITED.

A04-00040 03/08/18