

Rosario 6'8"		
All dimensions nominal before prefit and bevel.		
DW	A	B
3-0	23.69	6.15
2-10	21.69	6.15
2-8	21.69	5.15
2-6	19.69	5.15
2-4	17.69	5.15
2-2	15.69	5.15
2-0	15.69	4.15
1-10	15.69	3.15
1-8	11.96	4.02
1-6	11.96	3.02
1-4	7.08	4.46
Bottom rail dimension does not comply with ADA requirements.		

# Rosario

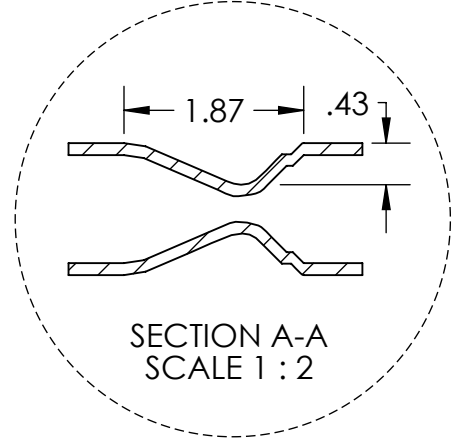
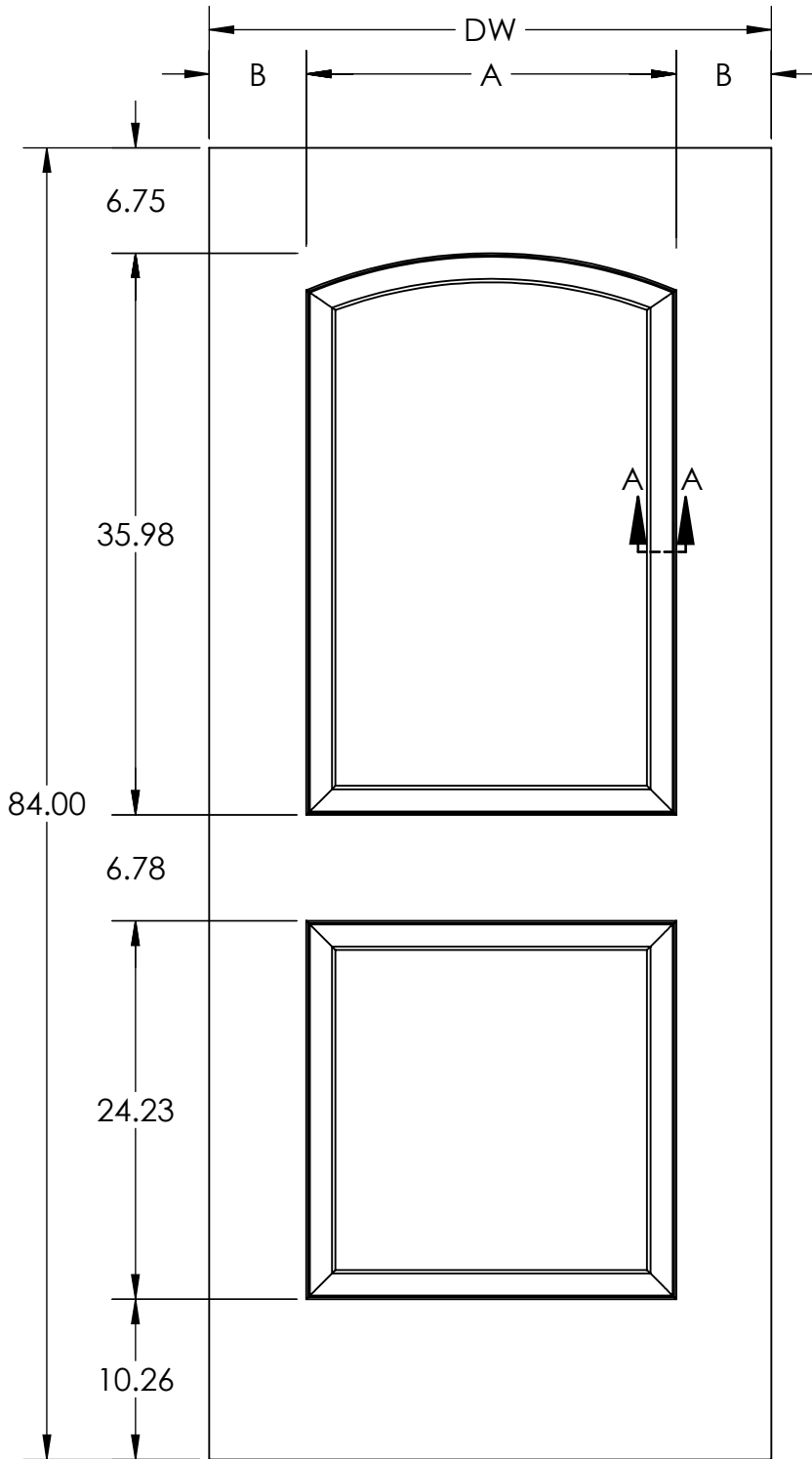
## Molded Profile Door



DIMENSIONS ARE IN: inches  
 DOOR TOLERANCES  
 WIDTH (FULL WIDTH): ±1/16  
 WIDTH (PREFIT): ±1/32  
 HEIGHT: ±1/16  
 SQUARE: ±1/8

THE INFORMATION CONTAINED IN THIS DRAWING IS THE SOLE PROPERTY OF Lynden Door, Inc. ANY REPRODUCTION IN PART OR AS A WHOLE WITHOUT THE WRITTEN PERMISSION OF Lynden Door, Inc. IS PROHIBITED.

A04-00042 | 11/30/17



Rosario 7'0"		
All dimensions nominal before prefit and bevel.		
DW	A	B
3-0	23.69	6.15
2-10	21.69	6.15
2-8	21.69	5.15
2-6	19.69	5.15
2-4	17.69	5.15
2-2*	17.69	4.15
2-0	15.69	4.15
1-10	15.69	3.15
1-8	11.96	4.02
1-6	11.96	3.02
1-4**	7.08	4.46
Bottom rail dimension complies with ADA requirements.		
* Contact factory regarding availability of wider stile options.		
** Non-Stock, Contact factory for pricing and availability.		

# Rosario

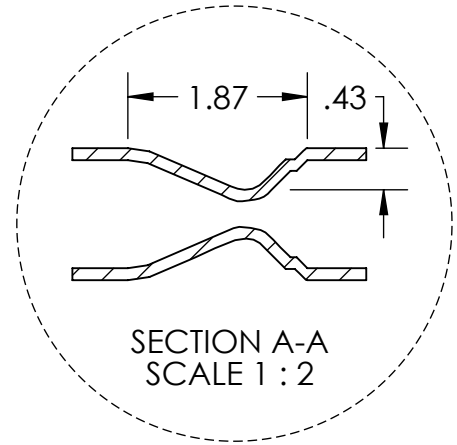
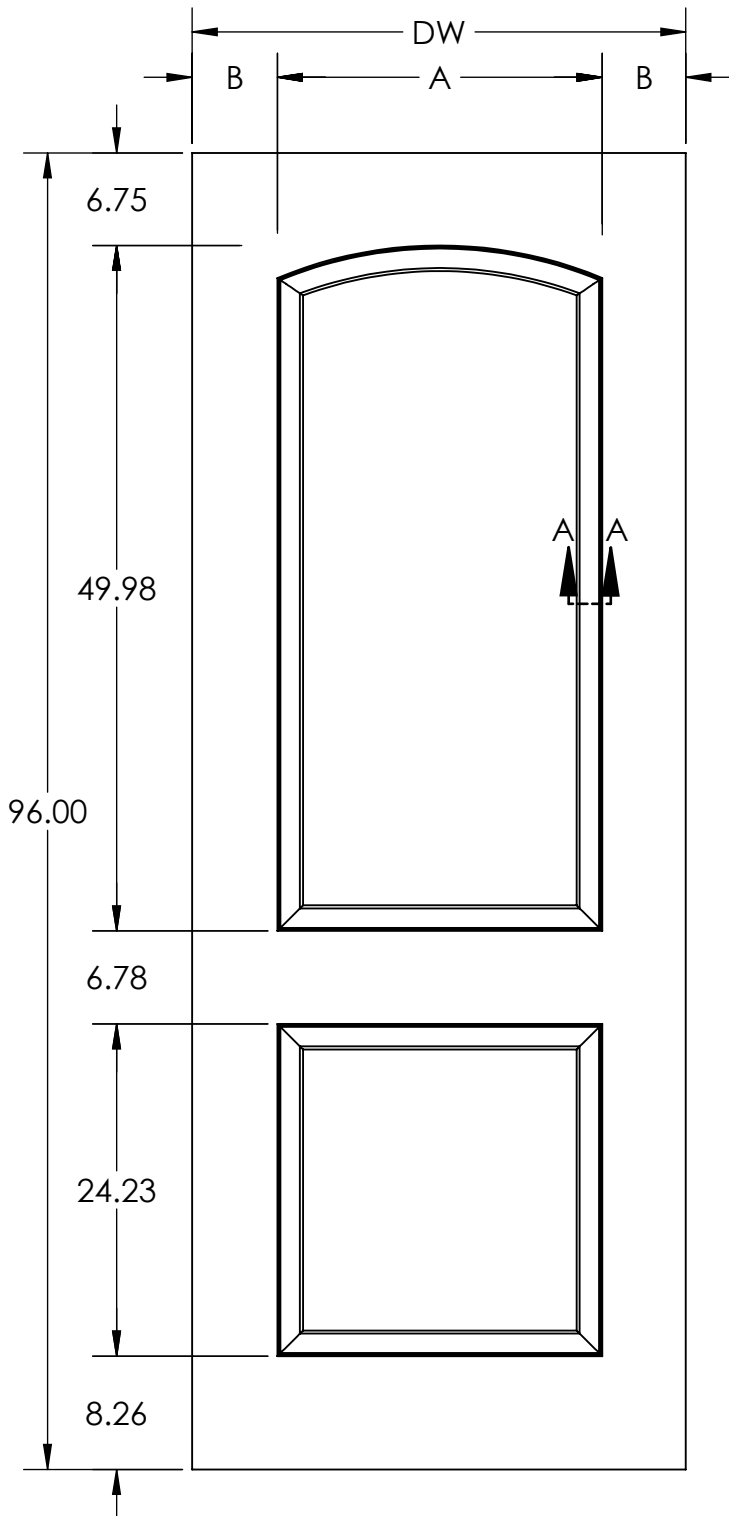
## Molded Profile Door



DIMENSIONS ARE IN: Inches  
 DOOR TOLERANCES  
 WIDTH (FULL WIDTH): ±1/16  
 WIDTH (PREFIT): ±1/32  
 HEIGHT: ±1/16  
 SQUARE: ±1/8

THE INFORMATION CONTAINED IN THIS DRAWING IS THE SOLE PROPERTY OF Lynden Door, Inc. ANY REPRODUCTION IN PART OR AS A WHOLE WITHOUT THE WRITTEN PERMISSION OF Lynden Door, Inc. IS PROHIBITED.

A04-00042 | 11/30/17



Rosario 8'0"		
All dimensions nominal before prefit and bevel.		
DW	A	B
3-0	23.69	6.15
2-10	21.69	6.15
2-8	21.69	5.15
2-6	19.69	5.15
2-4	17.69	5.15
2-2	15.69	5.15
2-0	15.69	4.15
1-10	15.69	3.15
1-8	11.96	4.02
1-6	11.96	3.02
Bottom rail dimension does not comply with ADA requirements.		

# Rosario

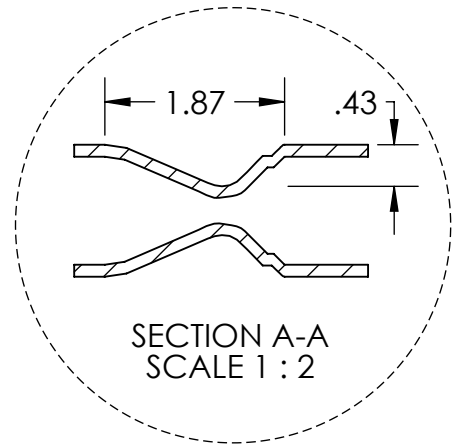
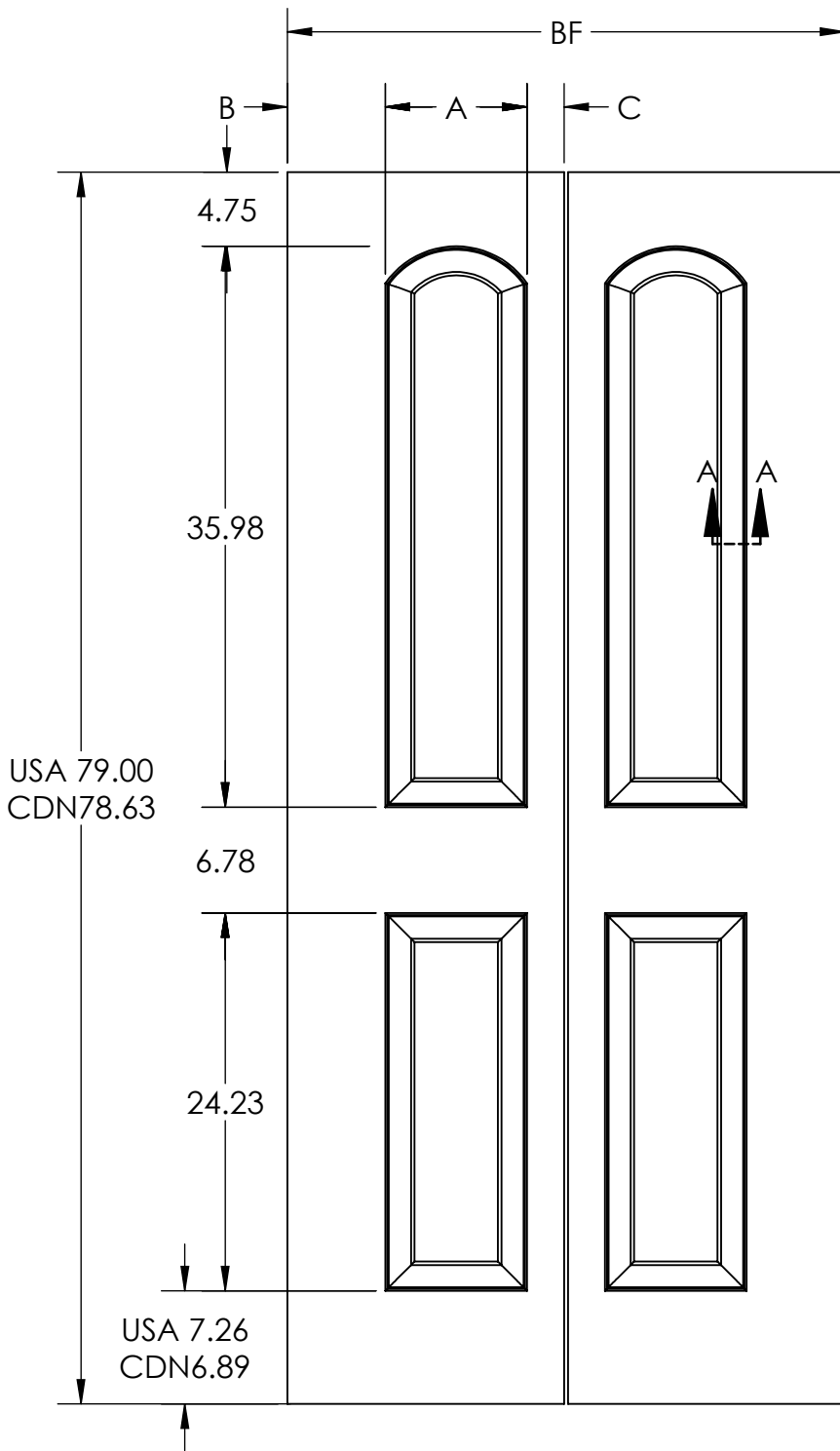
## Molded Profile Door



DIMENSIONS ARE IN: inches  
 DOOR TOLERANCES  
 WIDTH (FULL WIDTH):  $\pm 1/16$   
 WIDTH (PREFIT):  $\pm 1/32$   
 HEIGHT:  $\pm 1/16$   
 SQUARE:  $\pm 1/8$

THE INFORMATION CONTAINED IN THIS DRAWING IS THE SOLE PROPERTY OF Lynden Door, Inc. ANY REPRODUCTION IN PART OR AS A WHOLE WITHOUT THE WRITTEN PERMISSION OF Lynden Door, Inc. IS PROHIBITED.

A04-00042 | 11/30/17



Rosario Bifold 6'8"			
BF	A	B	C
3-0	9.09	6.29	2.37
2-8	9.09	4.29	2.37
2-6	9.09	3.29	2.37
2-4	9.09	2.29	2.37
2-0	6.79	3.18	1.78
1-8	6.79	1.78	1.18
1-6	6.79	1.03	0.93

Use of heavy duty hardware may require additional undercut. Lynden Door standard is 3/4"

# Rosario

## Molded Profile Bifold



DIMENSIONS ARE IN: Inches  
 DOOR TOLERANCES  
 WIDTH (FULL WIDTH): ±1/16  
 WIDTH (PREFIT): ±1/32  
 HEIGHT: ±1/16  
 SQUARE: ±1/8

THE INFORMATION CONTAINED IN THIS DRAWING IS THE SOLE PROPERTY OF Lynden Door, Inc. ANY REPRODUCTION IN PART OR AS A WHOLE WITHOUT THE WRITTEN PERMISSION OF Lynden Door, Inc. IS PROHIBITED.

A04-00042 | 11/30/17