

| Mercer 6'8" | | |
|--|-------|------|
| All dimensions nominal before prefit and bevel. | | |
| DW | A | B |
| 3-0 | 26.50 | 4.75 |
| 2-10 | 22.50 | 5.75 |
| 2-8 | 22.50 | 4.75 |
| 2-6 | 20.50 | 4.75 |
| 2-4 | 18.50 | 4.75 |
| 2-2 | 15.50 | 5.25 |
| 2-0 | 15.50 | 4.25 |
| 1-10 | 15.50 | 3.25 |
| 1-8 | 11.50 | 4.25 |
| 1-6 | 7.81 | 5.09 |
| Bottom rail dimension does not comply with ADA requirements. | | |

Mercer (Madison)

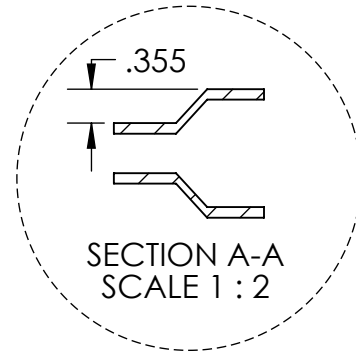
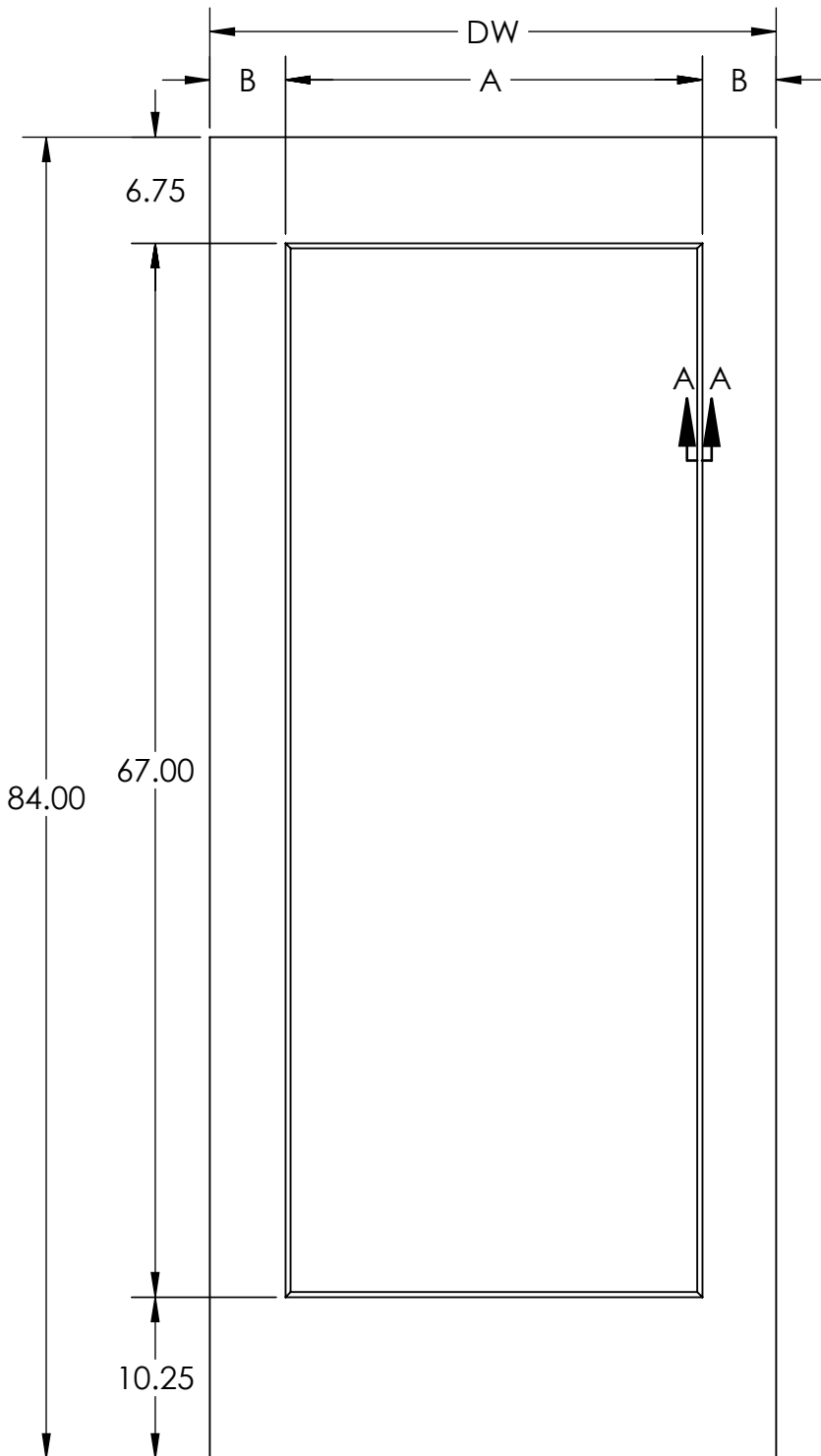
Molded Profile Door



DIMENSIONS ARE IN: inches
 DOOR TOLERANCES
 WIDTH (FULL WIDTH): ±1/16
 WIDTH (PREFIT): ±1/32
 HEIGHT: ±1/16
 SQUARE: ±1/8

THE INFORMATION CONTAINED IN THIS DRAWING IS THE SOLE PROPERTY OF Lynden Door, Inc. ANY REPRODUCTION IN PART OR AS A WHOLE WITHOUT THE WRITTEN PERMISSION OF Lynden Door, Inc. IS PROHIBITED.

A04-00040.01/15/19



| Mercer 7'0" | | |
|---|-------|------|
| All dimensions nominal before prefit and bevel. | | |
| DW | A | B |
| 3-0 | 26.50 | 4.75 |
| 2-10 | 22.50 | 5.75 |
| 2-8 | 22.50 | 4.75 |
| 2-6 | 20.50 | 4.75 |
| 2-4 | 18.50 | 4.75 |
| 2-2 | 15.50 | 5.25 |
| 2-0 | 15.50 | 4.25 |
| 1-10 | 11.50 | 5.25 |
| 1-8 | 11.50 | 4.25 |
| 1-6 | 7.81 | 5.09 |
| Bottom rail dimension complies with ADA requirements. | | |

Mercer (Madison)

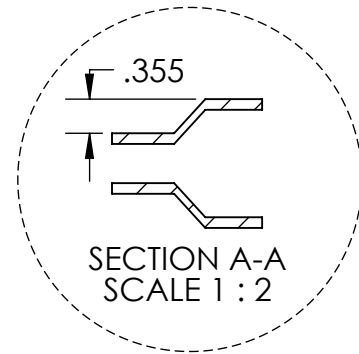
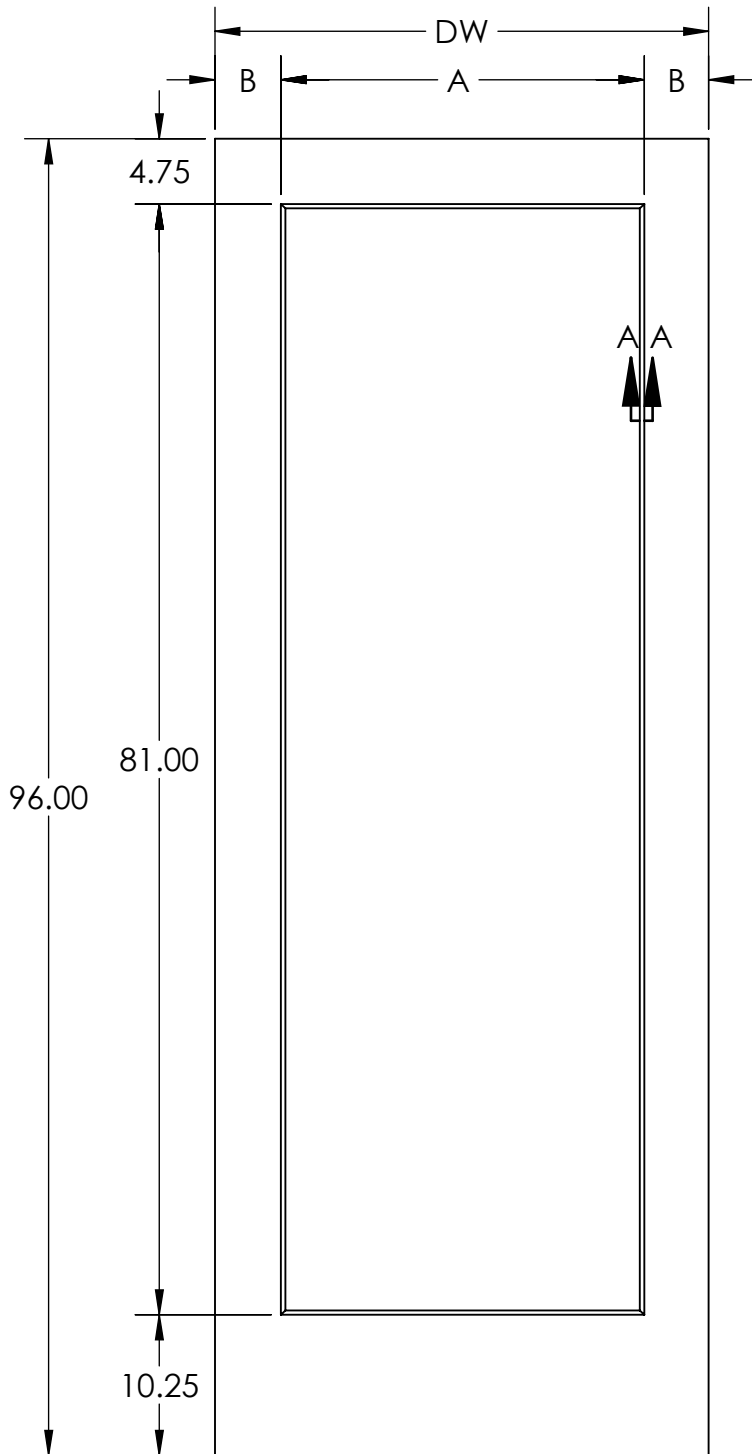
Molded Profile Door



DIMENSIONS ARE IN: inches
 DOOR TOLERANCES
 WIDTH (FULL WIDTH): $\pm 1/16$
 WIDTH (PREFIT): $\pm 1/32$
 HEIGHT: $\pm 1/16$
 SQUARE: $\pm 1/8$

THE INFORMATION CONTAINED IN THIS DRAWING IS THE SOLE PROPERTY OF Lynden Door, Inc. ANY REPRODUCTION IN PART OR AS A WHOLE WITHOUT THE WRITTEN PERMISSION OF Lynden Door, Inc. IS PROHIBITED.

A04-00040.01/15/19



| Mercer 8'0" | | |
|---|-------|------|
| All dimensions nominal before prefit and bevel. | | |
| DW | A | B |
| 3-0 | 26.50 | 4.75 |
| 2-10 | 22.50 | 5.75 |
| 2-8 | 22.50 | 4.75 |
| 2-6 | 20.50 | 4.75 |
| 2-4 | 18.50 | 4.75 |
| 2-2* | 18.50 | 3.75 |
| 2-0 | 15.50 | 4.25 |
| 1-10* | 15.50 | 3.25 |
| 1-8* | 15.50 | 2.25 |
| 1-6 | 7.81 | 5.09 |
| Bottom rail dimension complies with ADA requirements. | | |
| *Contact factory regarding availability of wider stile options. | | |

Mercer (Madison)

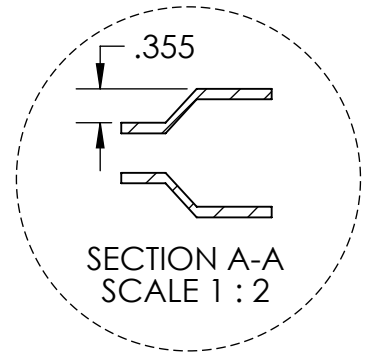
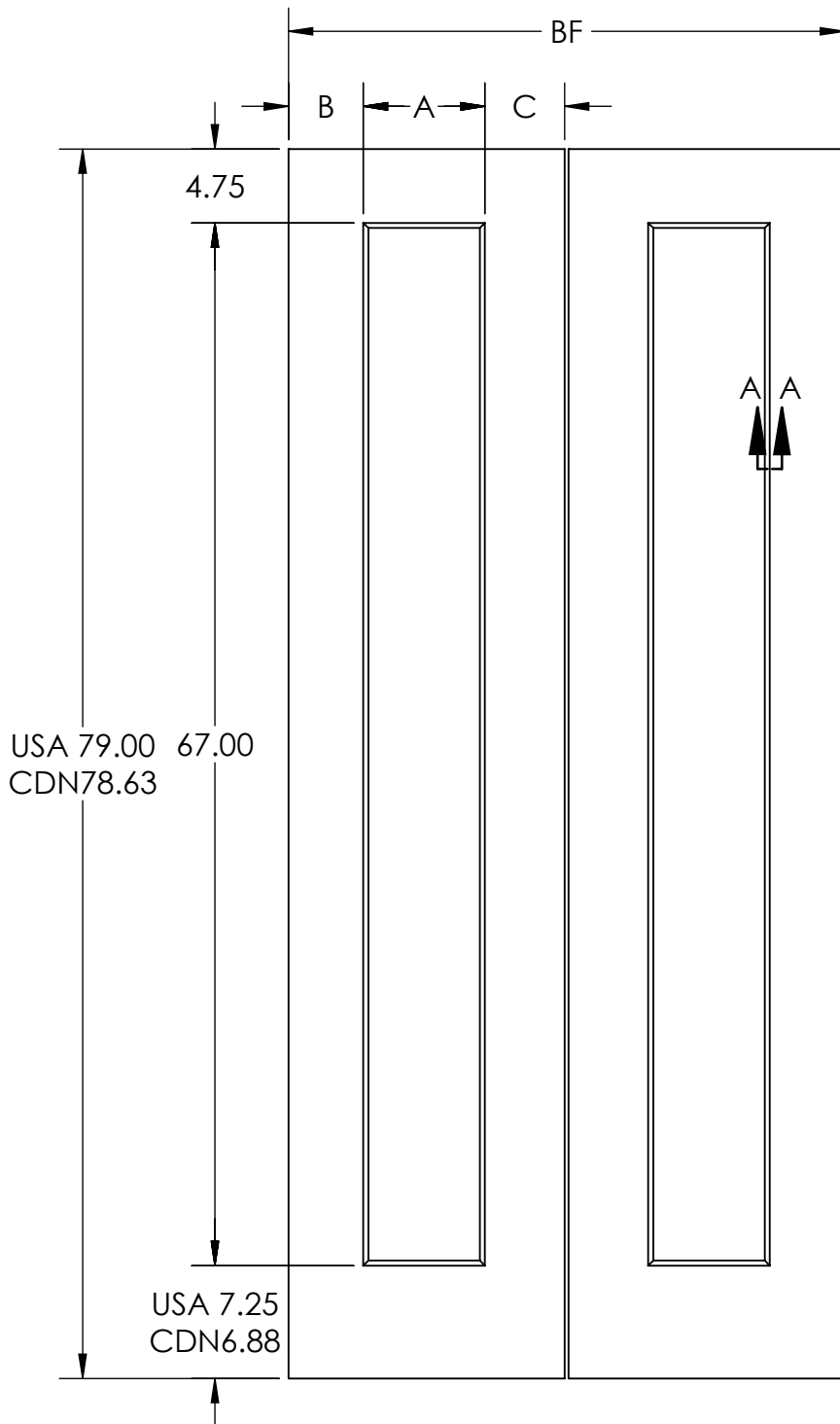
Molded Profile Door



DIMENSIONS ARE IN: inches
 DOOR TOLERANCES
 WIDTH (FULL WIDTH): ±1/16
 WIDTH (PREFIT): ±1/32
 HEIGHT: ±1/16
 SQUARE: ±1/8

THE INFORMATION CONTAINED IN THIS DRAWING IS THE SOLE PROPERTY OF Lynden Door, Inc. ANY REPRODUCTION IN PART OR AS A WHOLE WITHOUT THE WRITTEN PERMISSION OF Lynden Door, Inc. IS PROHIBITED.

A04-00040.01/15/19



| Mercer Bifold 6'8" | | | |
|--------------------|------|------|------|
| BF | A | B | C |
| 3-0 | 7.81 | 4.82 | 5.12 |
| 2-8 | 7.81 | 5.12 | 2.82 |
| 2-6 | 5.37 | 4.54 | 4.84 |
| 2-4 | 5.37 | 4.84 | 3.54 |
| 2-0 | 4.25 | 3.59 | 3.91 |
| 1-8 | 4.25 | 3.91 | 1.59 |
| 1-6 | 4.25 | 3.16 | 1.34 |

Use of heavy duty hardware may require additional undercut. Lynden Door standard is 3/4"

Mercer (Madison)

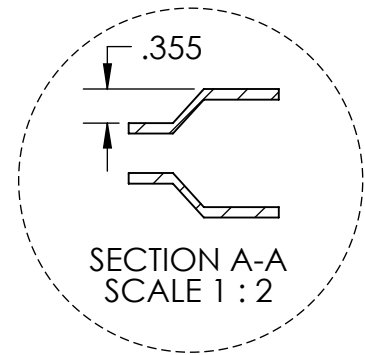
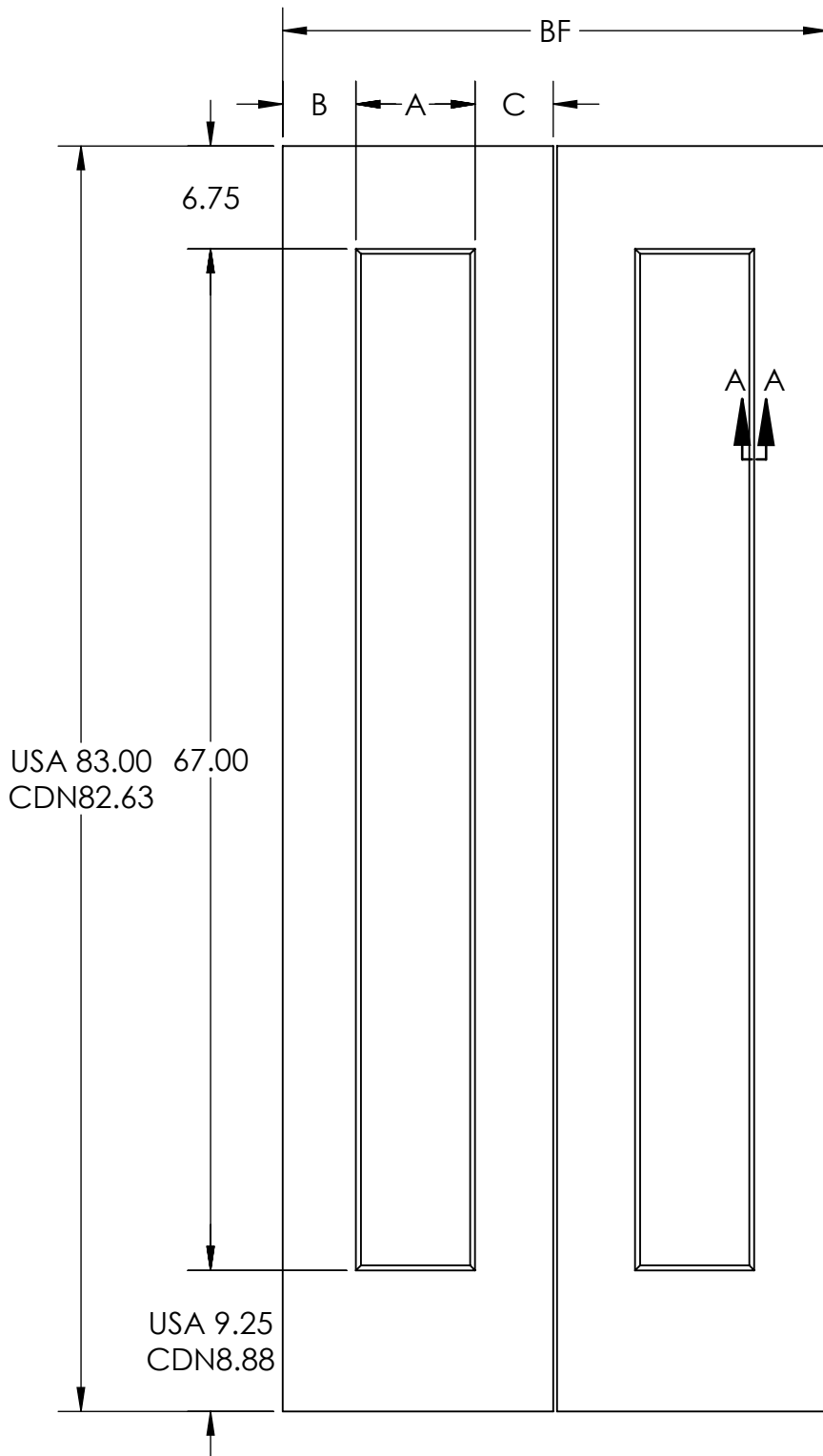
Molded Profile Bifold



DIMENSIONS ARE IN: inches
 DOOR TOLERANCES
 WIDTH (FULL WIDTH): ±1/16
 WIDTH (PREFIT): ±1/32
 HEIGHT: ±1/16
 SQUARE: ±1/8

THE INFORMATION CONTAINED IN THIS DRAWING IS THE SOLE PROPERTY OF Lynden Door, Inc. ANY REPRODUCTION IN PART OR AS A WHOLE WITHOUT THE WRITTEN PERMISSION OF Lynden Door, Inc. IS PROHIBITED.

A04-00040.01/15/19



| Mercer Bifold 7'0" | | | |
|--|------|------|------|
| BF | A | B | C |
| 3-0* | 7.81 | 4.82 | 5.12 |
| 2-8* | 7.81 | 5.12 | 2.82 |
| 2-6* | 5.37 | 4.54 | 4.84 |
| 2-4* | 5.37 | 4.84 | 3.54 |
| 2-0* | 4.25 | 3.59 | 3.91 |
| 1-8* | 4.25 | 3.91 | 1.59 |
| 1-6* | 4.25 | 3.16 | 1.34 |
| Use of heavy duty hardware may require additional undercut. Lynden Door standard is 3/4" | | | |
| * Non-Stock, Contact factory for pricing and availability. | | | |

Mercer (Madison)

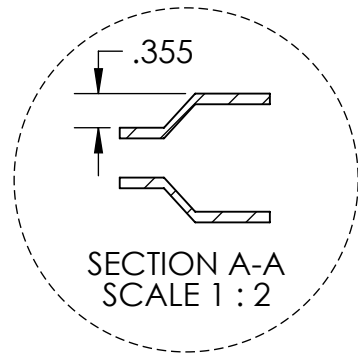
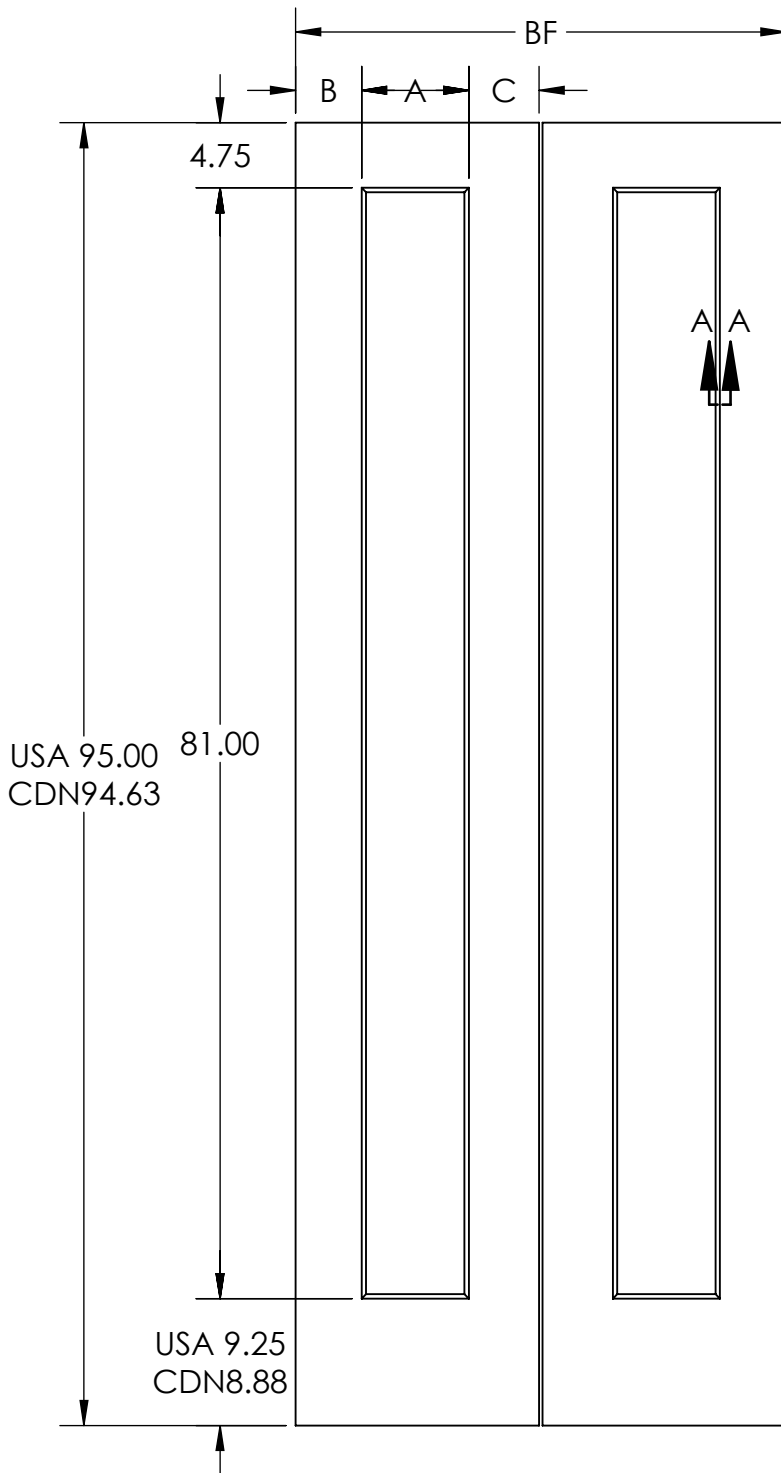
Molded Profile Bifold



DIMENSIONS ARE IN: inches
 DOOR TOLERANCES
 WIDTH (FULL WIDTH): $\pm 1/16$
 WIDTH (PREFIT): $\pm 1/32$
 HEIGHT: $\pm 1/16$
 SQUARE: $\pm 1/8$

THE INFORMATION CONTAINED IN THIS DRAWING IS THE SOLE PROPERTY OF Lynden Door, Inc. ANY REPRODUCTION IN PART OR AS A WHOLE WITHOUT THE WRITTEN PERMISSION OF Lynden Door, Inc. IS PROHIBITED.

A04-00040 01/15/19



| Mercer Bifold 8'0" | | | |
|--|------|------|------|
| BF | A | B | C |
| 3-0* | 7.81 | 4.82 | 5.12 |
| 2-8* | 7.81 | 5.12 | 2.82 |
| 2-6* | 5.37 | 4.54 | 4.84 |
| 2-4* | 5.37 | 4.84 | 3.54 |
| 2-0* | 4.25 | 3.59 | 3.91 |
| 1-8* | 4.25 | 3.91 | 1.59 |
| 1-6* | 4.25 | 3.16 | 1.34 |
| Use of heavy duty hardware may require additional undercut. Lynden Door standard is 3/4" | | | |
| * Non-Stock, Contact factory for pricing and availability. | | | |

Mercer (Madison)

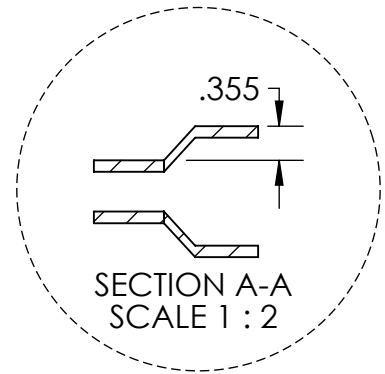
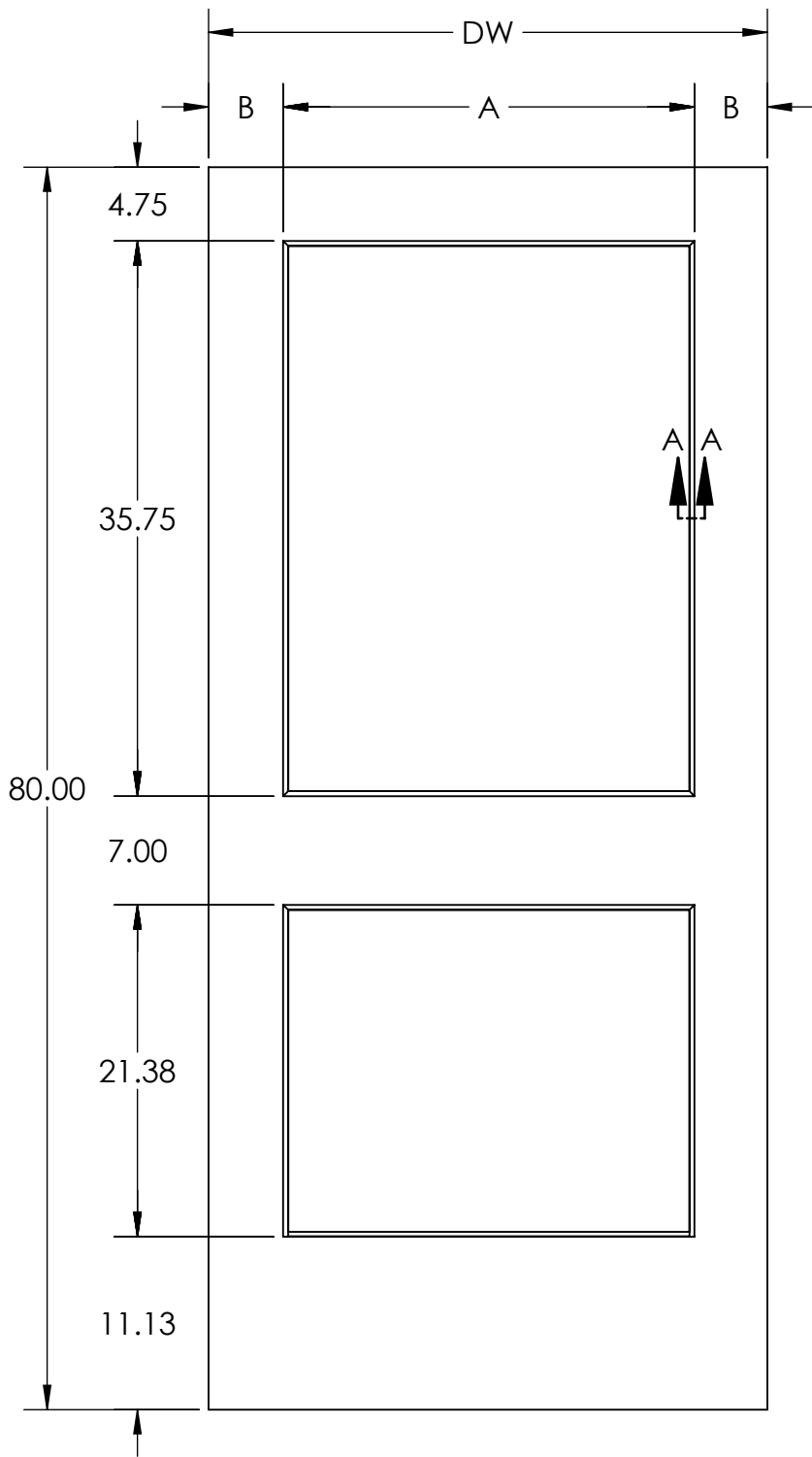
Molded Profile Bifold



DIMENSIONS ARE IN: Inches
 DOOR TOLERANCES
 WIDTH (FULL WIDTH): ±1/16
 WIDTH (PREFIT): ±1/32
 HEIGHT: ±1/16
 SQUARE: ±1/8

THE INFORMATION CONTAINED IN THIS DRAWING IS THE SOLE PROPERTY OF Lynden Door, Inc. ANY REPRODUCTION IN PART OR AS A WHOLE WITHOUT THE WRITTEN PERMISSION OF Lynden Door, Inc. IS PROHIBITED.

A04-00040.01/15/19



| Whitman 6'8" | | |
|---|-------|------|
| All dimensions nominal before prefit and bevel. | | |
| DW | A | B |
| 3-0 | 26.50 | 4.75 |
| 2-10 | 22.50 | 5.75 |
| 2-8 | 22.50 | 4.75 |
| 2-6 | 20.50 | 4.75 |
| 2-4 | 18.50 | 4.75 |
| 2-2 | 15.50 | 5.25 |
| 2-0 | 15.50 | 4.25 |
| 1-10 | 11.50 | 5.25 |
| 1-8 | 11.50 | 4.25 |
| 1-6 | 9.25 | 4.38 |
| Bottom Rail Dimension Complies with ADA Requirements. | | |

Whitman

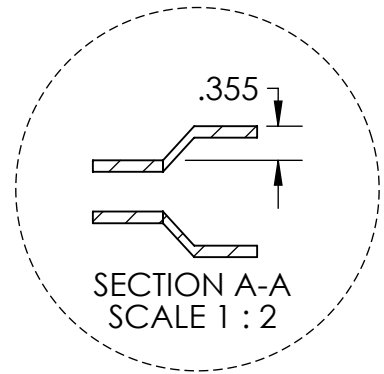
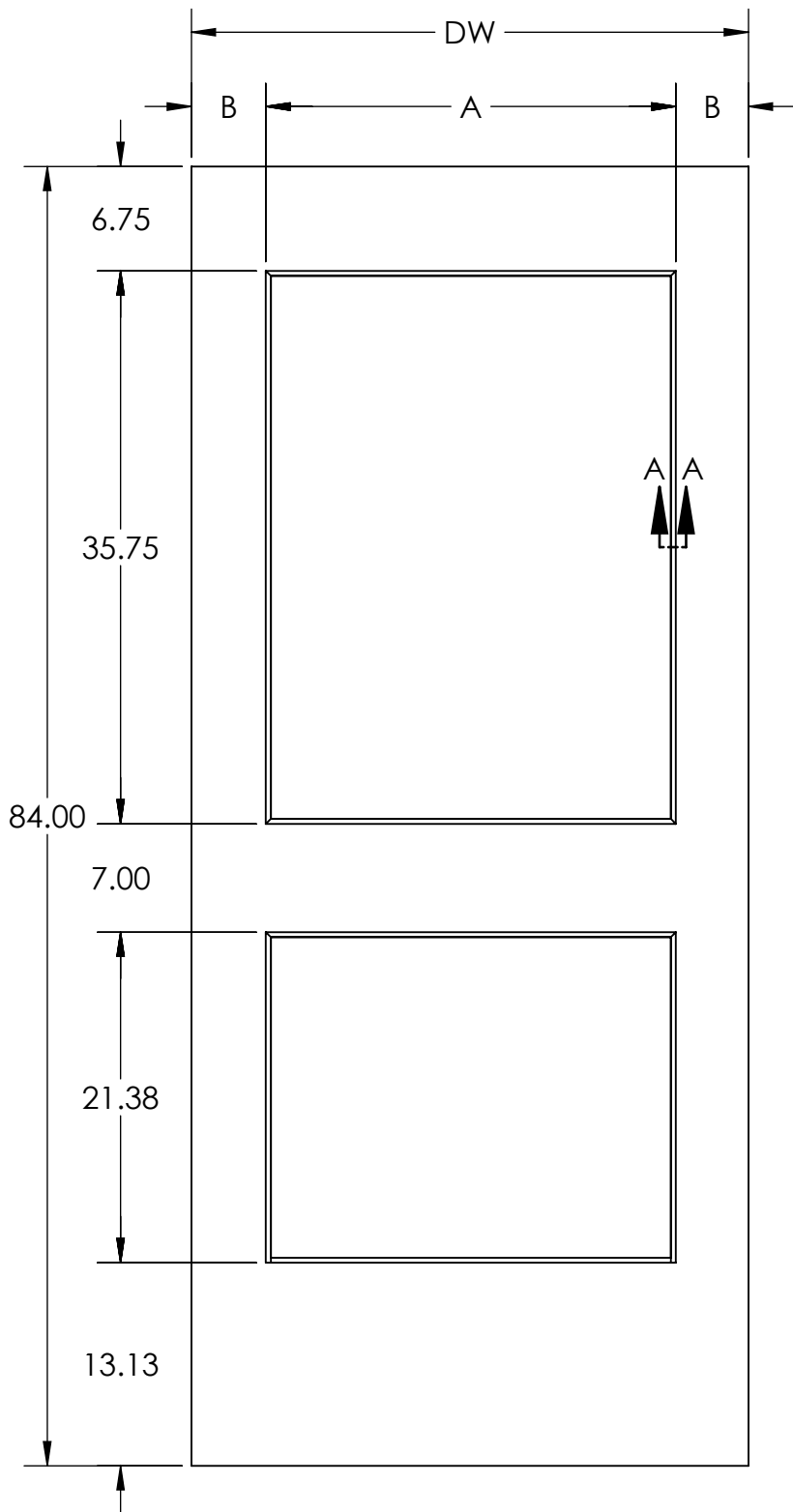
Molded Profile Door

LD Lynden Door
Open Your Future

DIMENSIONS ARE IN: inches
DOOR TOLERANCES
WIDTH (FULL WIDTH): $\pm 1/16$
WIDTH (PREFIT): $\pm 1/32$
HEIGHT: $\pm 1/16$
SQUARE: $\pm 1/8$

THE INFORMATION CONTAINED IN THIS DRAWING IS THE SOLE PROPERTY OF Lynden Door, Inc. ANY REPRODUCTION IN PART OR AS A WHOLE WITHOUT THE WRITTEN PERMISSION OF Lynden Door, Inc. IS PROHIBITED.

A04-00041 02/12/18



| Whitman 7'0" | | |
|---|-------|------|
| All dimensions nominal before prefit and bevel. | | |
| DW | A | B |
| 3-0 | 26.50 | 4.75 |
| 2-10 | 22.50 | 5.75 |
| 2-8 | 22.50 | 4.75 |
| 2-6 | 20.50 | 4.75 |
| 2-4 | 18.50 | 4.75 |
| 2-2 | 15.50 | 5.25 |
| 2-0 | 15.50 | 4.25 |
| 1-10 | 11.50 | 5.25 |
| 1-8 | 11.50 | 4.25 |
| 1-6 | 9.25 | 4.38 |
| Bottom Rail Dimension Complies with ADA Requirements. | | |

Whitman

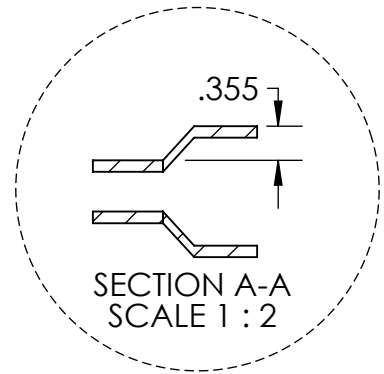
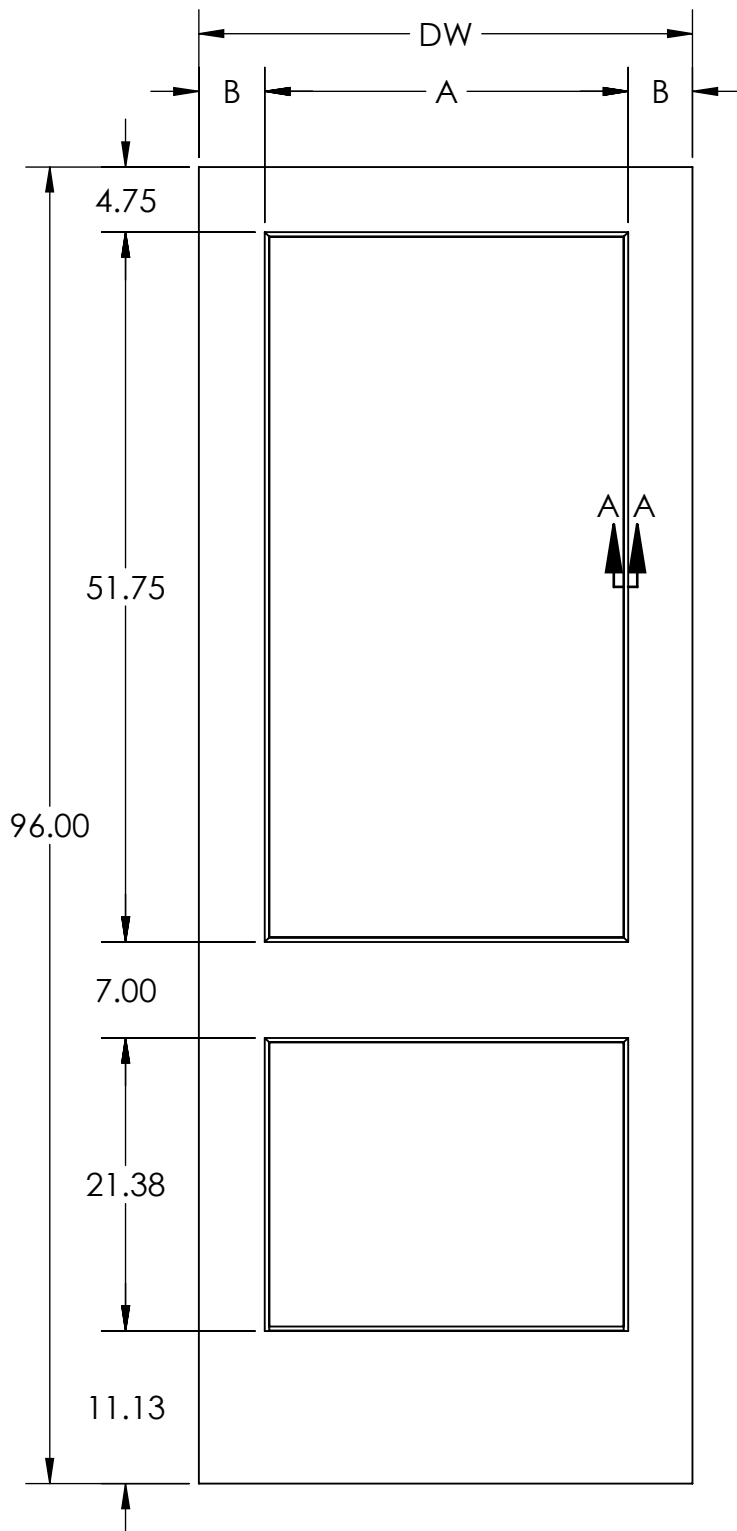
Molded Profile Door



DIMENSIONS ARE IN: inches
DOOR TOLERANCES
WIDTH (FULL WIDTH): $\pm 1/16$
WIDTH (PREFIT): $\pm 1/32$
HEIGHT: $\pm 1/16$
SQUARE: $\pm 1/8$

THE INFORMATION CONTAINED IN THIS DRAWING IS THE SOLE PROPERTY OF Lynden Door, Inc. ANY REPRODUCTION IN PART OR AS A WHOLE WITHOUT THE WRITTEN PERMISSION OF Lynden Door, Inc. IS PROHIBITED.

A04-00041 | 02/12/18



| Whitman 8'0" | | |
|---|-------|------|
| All dimensions nominal before prefit and bevel. | | |
| DW | A | B |
| 3-0 | 26.50 | 4.75 |
| 2-10 | 22.50 | 5.75 |
| 2-8 | 22.50 | 4.75 |
| 2-6 | 20.50 | 4.75 |
| 2-4 | 18.50 | 4.75 |
| 2-2* | 18.50 | 3.75 |
| 2-0 | 15.50 | 4.25 |
| 1-10* | 15.50 | 3.25 |
| 1-8* | 15.50 | 2.25 |
| 1-6 | 9.25 | 4.38 |
| Bottom Rail Dimension Complies with ADA Requirements. | | |
| *Contact factory regarding availability of wider stile options. | | |

Whitman

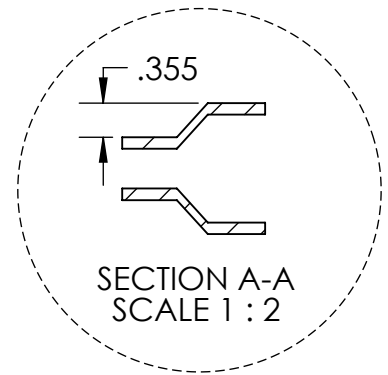
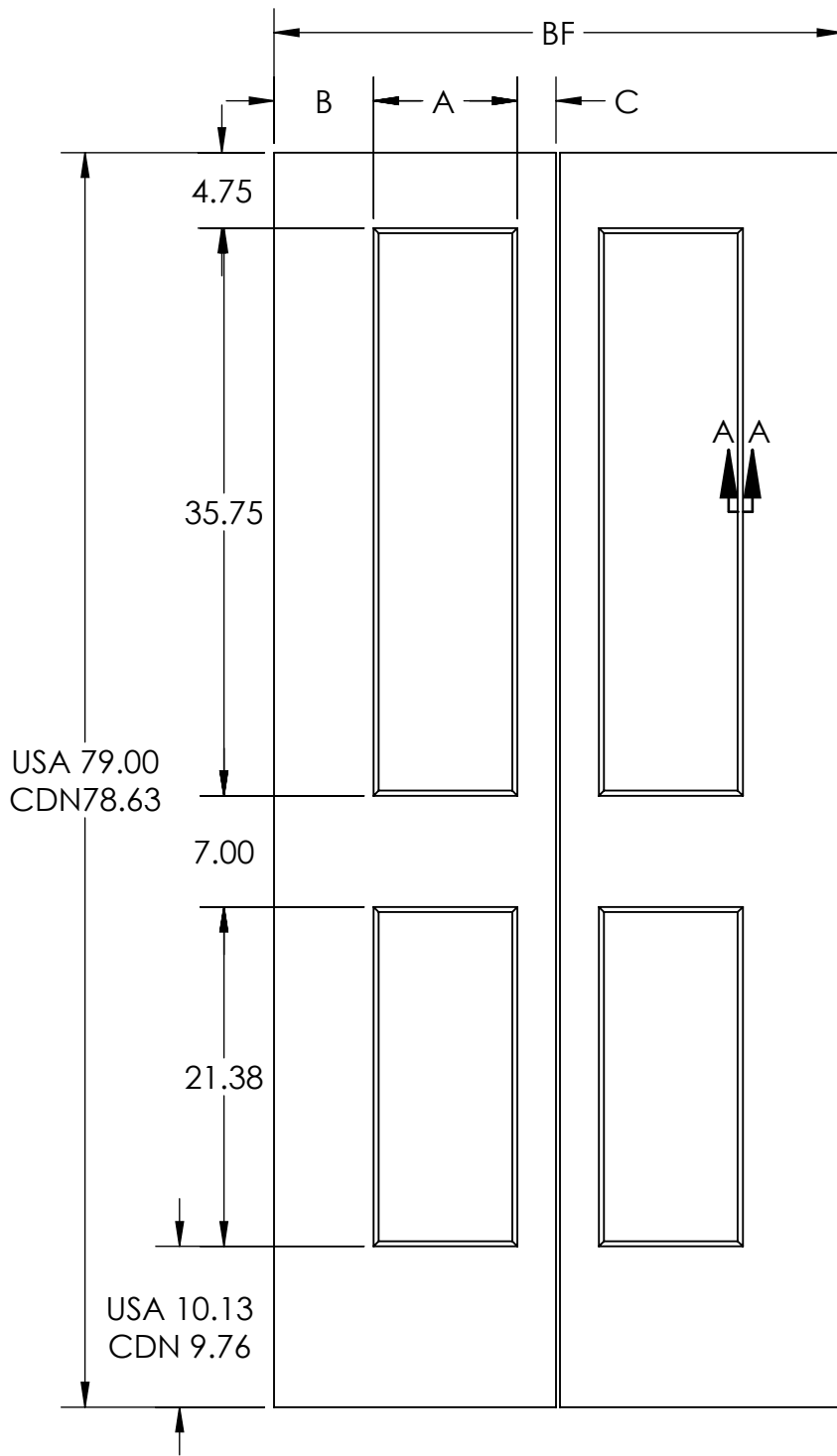
Molded Profile Door



DIMENSIONS ARE IN: inches
 DOOR TOLERANCES
 WIDTH (FULL WIDTH): $\pm 1/16$
 WIDTH (PREFIT): $\pm 1/32$
 HEIGHT: $\pm 1/16$
 SQUARE: $\pm 1/8$

THE INFORMATION CONTAINED IN THIS DRAWING IS THE SOLE PROPERTY OF Lynden Door, Inc. ANY REPRODUCTION IN PART OR AS A WHOLE WITHOUT THE WRITTEN PERMISSION OF Lynden Door, Inc. IS PROHIBITED.

A04-00041 | 02/12/18



| Whitman Bifold 6'8" | | | |
|--|------|------|------|
| BF | A | B | C |
| 3-0 | 9.12 | 6.19 | 2.44 |
| 2-8 | 9.12 | 4.19 | 2.44 |
| 2-6 | 7.38 | 5.21 | 2.16 |
| 2-4 | 7.38 | 4.21 | 2.16 |
| 2-0 | 5.94 | 4.16 | 1.65 |
| 1-8 | 5.94 | 2.16 | 1.65 |
| 1-6 | 5.94 | 1.91 | 0.90 |
| Use of heavy duty hardware may require additional undercut. Lynden Door standard is 3/4" | | | |

Whitman

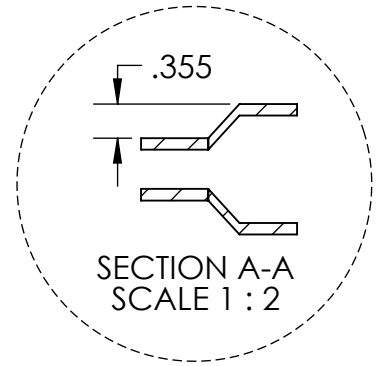
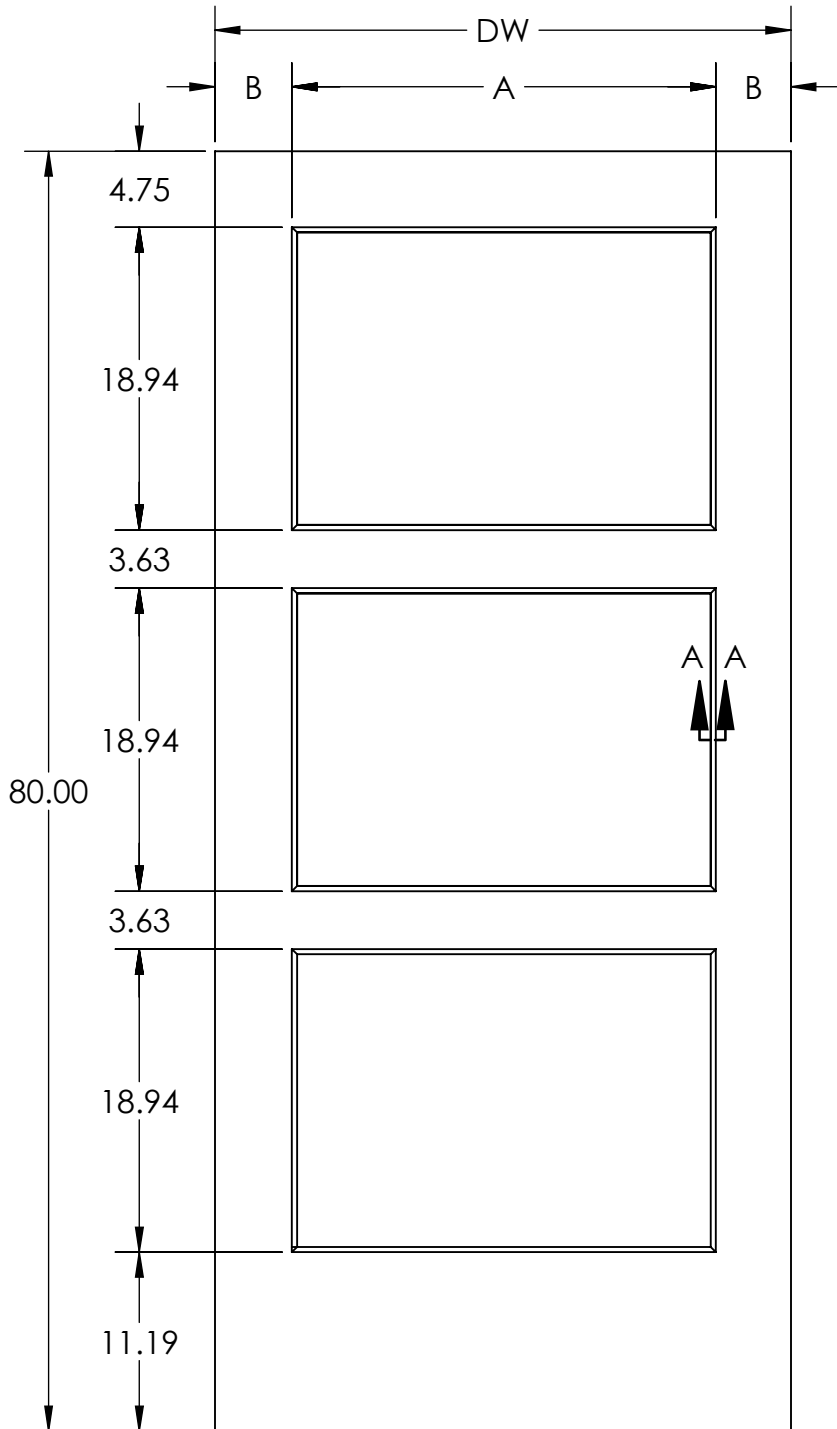
Molded Profile Bifold



DIMENSIONS ARE IN: inches
DOOR TOLERANCES
WIDTH (FULL WIDTH): ±1/16
WIDTH (PREFIT): ±1/32
HEIGHT: ±1/16
SQUARE: ±1/8

THE INFORMATION CONTAINED IN THIS DRAWING IS THE SOLE PROPERTY OF Lynden Door, Inc. ANY REPRODUCTION IN PART OR AS A WHOLE WITHOUT THE WRITTEN PERMISSION OF Lynden Door, Inc. IS PROHIBITED.

A04-00041 02/12/18



| Aberdeen 6'8" | | |
|---|-------|------|
| All dimensions nominal before prefit and bevel. | | |
| DW | A | B |
| 3-0 | 26.50 | 4.75 |
| 2-10 | 22.50 | 5.75 |
| 2-8 | 22.50 | 4.75 |
| 2-6 | 20.50 | 4.75 |
| 2-4 | 18.50 | 4.75 |
| 2-2 | 15.50 | 5.25 |
| 2-0 | 15.50 | 4.25 |
| 1-10 | 11.50 | 5.25 |
| 1-8 | 11.50 | 4.25 |
| 1-6 | 9.25 | 4.38 |
| Bottom rail dimension complies with ADA requirements. | | |

Aberdeen

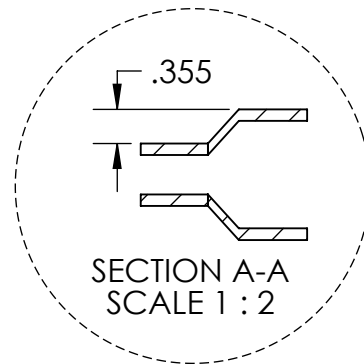
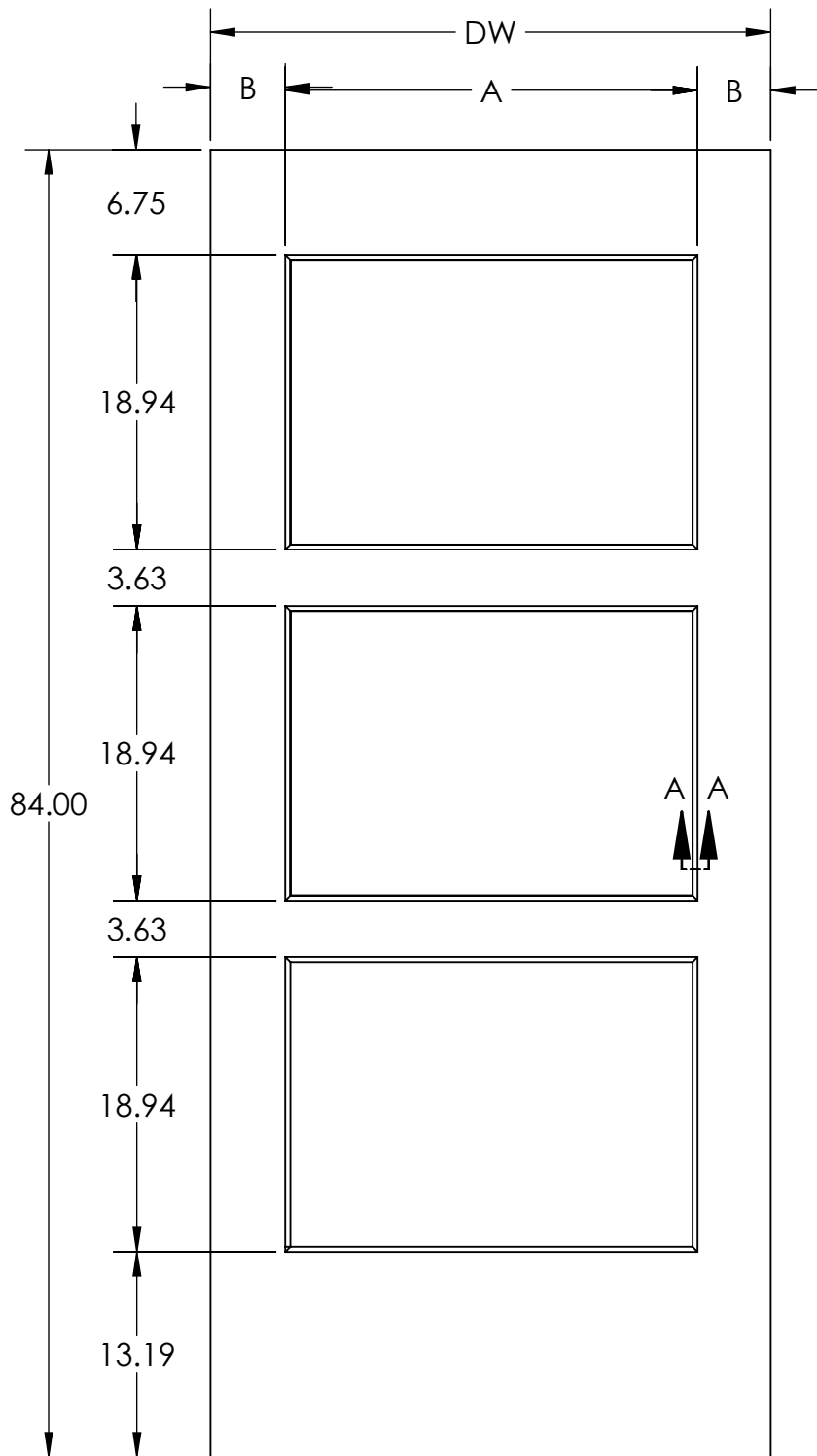
Molded Profile Door



DIMENSIONS ARE IN: inches
 DOOR TOLERANCES
 WIDTH (FULL WIDTH): ±1/16
 WIDTH (PREFIT): ±1/32
 HEIGHT: ±1/16
 SQUARE: ±1/8

THE INFORMATION CONTAINED IN THIS DRAWING IS THE SOLE PROPERTY OF Lynden Door, Inc. ANY REPRODUCTION IN PART OR AS A WHOLE WITHOUT THE WRITTEN PERMISSION OF Lynden Door, Inc. IS PROHIBITED.

A04-00058 | 11/27/18



| Aberdeen 7'0" | | |
|---|-------|------|
| All dimensions nominal before prefit and bevel. | | |
| DW | A | B |
| 3-0 | 26.50 | 4.75 |
| 2-10 | 22.50 | 5.75 |
| 2-8 | 22.50 | 4.75 |
| 2-6 | 20.50 | 4.75 |
| 2-4 | 18.50 | 4.75 |
| 2-2 | 15.50 | 5.25 |
| 2-0 | 15.50 | 4.25 |
| 1-10 | 11.50 | 5.25 |
| 1-8 | 11.50 | 4.25 |
| 1-6 | 9.25 | 4.38 |
| Bottom rail dimension complies with ADA requirements. | | |

Aberdeen

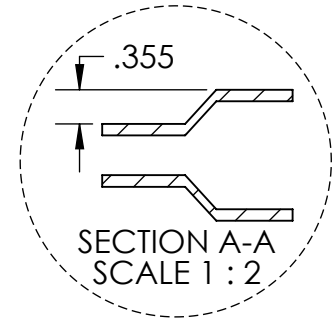
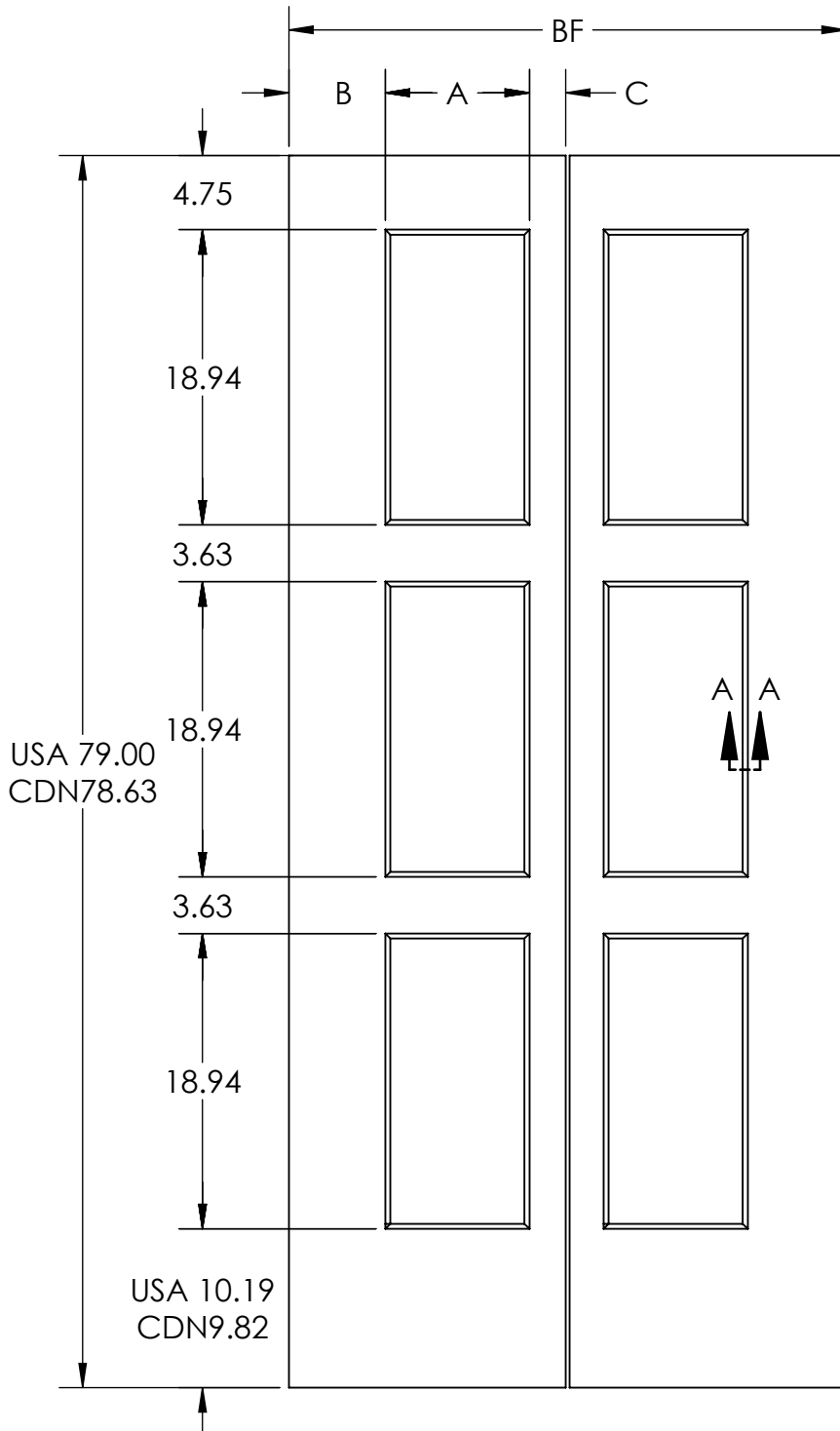
Molded Profile Door



DIMENSIONS ARE IN: inches
 DOOR TOLERANCES
 WIDTH (FULL WIDTH): ±1/16
 WIDTH (PREFIT): ±1/32
 HEIGHT: ±1/16
 SQUARE: ±1/8

THE INFORMATION CONTAINED IN THIS DRAWING IS THE SOLE PROPERTY OF Lynden Door, Inc. ANY REPRODUCTION IN PART OR AS A WHOLE WITHOUT THE WRITTEN PERMISSION OF Lynden Door, Inc. IS PROHIBITED.

A04-00058 | 11/27/18



| Aberdeen Bifold 6'8" | | | |
|--|------|------|------|
| BF | A | B | C |
| 3-0 | 9.25 | 6.18 | 2.32 |
| 2-8 | 9.25 | 3.18 | 2.32 |
| 2-6 | 7.50 | 5.18 | 2.07 |
| 2-4 | 7.50 | 4.18 | 2.07 |
| 2-0 | 6.00 | 4.18 | 1.57 |
| 1-8 | 6.00 | 2.18 | 1.57 |
| 1-6 | 6.00 | 1.87 | 0.88 |
| Use of heavy duty hardware may require additional undercut. Lynden Door standard is 3/4" | | | |

Aberdeen

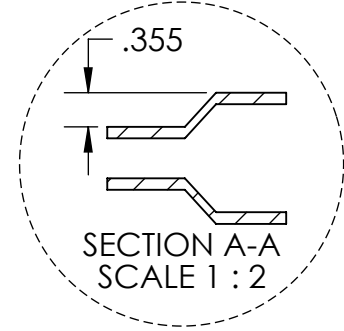
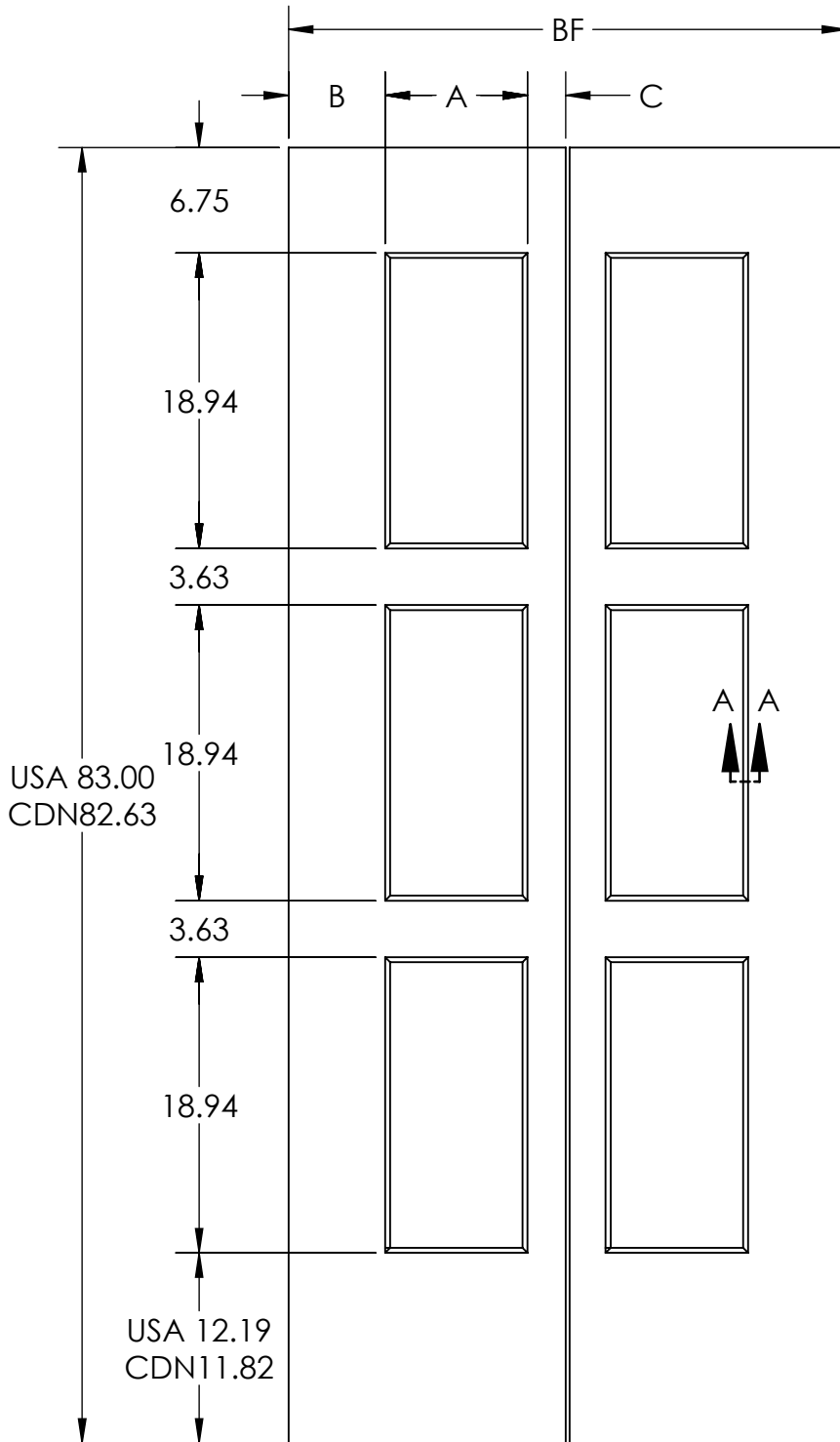
Molded Profile Bifold



DIMENSIONS ARE IN: Inches
 DOOR TOLERANCES
 WIDTH (FULL WIDTH): ±1/16
 WIDTH (PREFIT): ±1/32
 HEIGHT: ±1/16
 SQUARE: ±1/8

THE INFORMATION CONTAINED IN THIS DRAWING IS THE SOLE PROPERTY OF Lynden Door, Inc. ANY REPRODUCTION IN PART OR AS A WHOLE WITHOUT THE WRITTEN PERMISSION OF Lynden Door, Inc. IS PROHIBITED.

A04-00058 11/27/18



| Aberdeen Bifold 7'0" | | | |
|--|------|------|------|
| BF | A | B | C |
| 3-0* | 9.25 | 6.18 | 2.32 |
| 2-8* | 9.25 | 3.18 | 2.32 |
| 2-6* | 7.50 | 5.18 | 2.07 |
| 2-4* | 7.50 | 4.18 | 2.07 |
| 2-0* | 6.00 | 4.18 | 1.57 |
| 1-8* | 6.00 | 2.18 | 1.57 |
| 1-6* | 6.00 | 1.87 | 0.88 |
| Use of heavy duty hardware may require additional undercut. Lynden Door standard is 3/4" | | | |
| * Non-Stock, Contact factory for pricing and availability. | | | |

Aberdeen

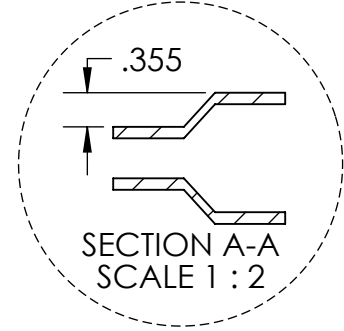
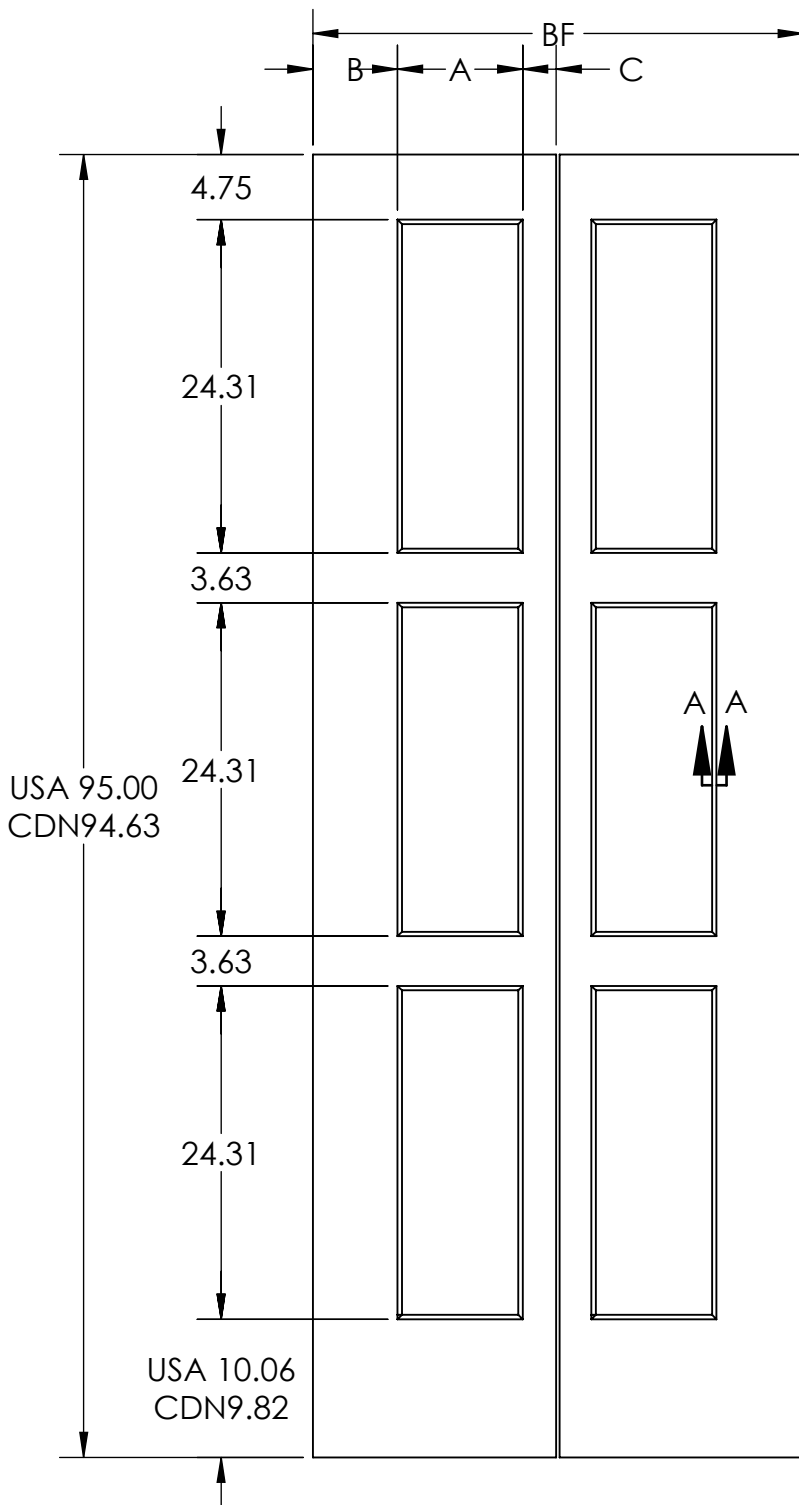
Molded Profile Bifold



DIMENSIONS ARE IN: inches
 DOOR TOLERANCES
 WIDTH (FULL WIDTH): ±1/16
 WIDTH (PREFIT): ±1/32
 HEIGHT: ±1/16
 SQUARE: ±1/8

THE INFORMATION CONTAINED IN THIS DRAWING IS THE SOLE PROPERTY OF Lynden Door, Inc. ANY REPRODUCTION IN PART OR AS A WHOLE WITHOUT THE WRITTEN PERMISSION OF Lynden Door, Inc. IS PROHIBITED.

A04-00058 11/27/18



| Aberdeen Bifold 8'0" | | | |
|--|------|------|------|
| BF | A | B | C |
| 3-0* | 9.25 | 6.18 | 2.32 |
| 2-8* | 9.25 | 3.18 | 2.32 |
| 2-6* | 7.50 | 5.18 | 2.07 |
| 2-4* | 7.50 | 4.18 | 2.07 |
| 2-0* | 6.00 | 4.18 | 1.57 |
| 1-8* | 6.00 | 2.18 | 1.57 |
| 1-6* | 6.00 | 1.87 | 0.88 |
| Use of heavy duty hardware may require additional undercut. Lynden Door standard is 3/4" | | | |
| * Non-Stock, Contact factory for pricing and availability. | | | |

Aberdeen

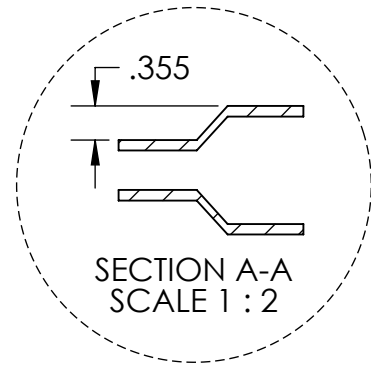
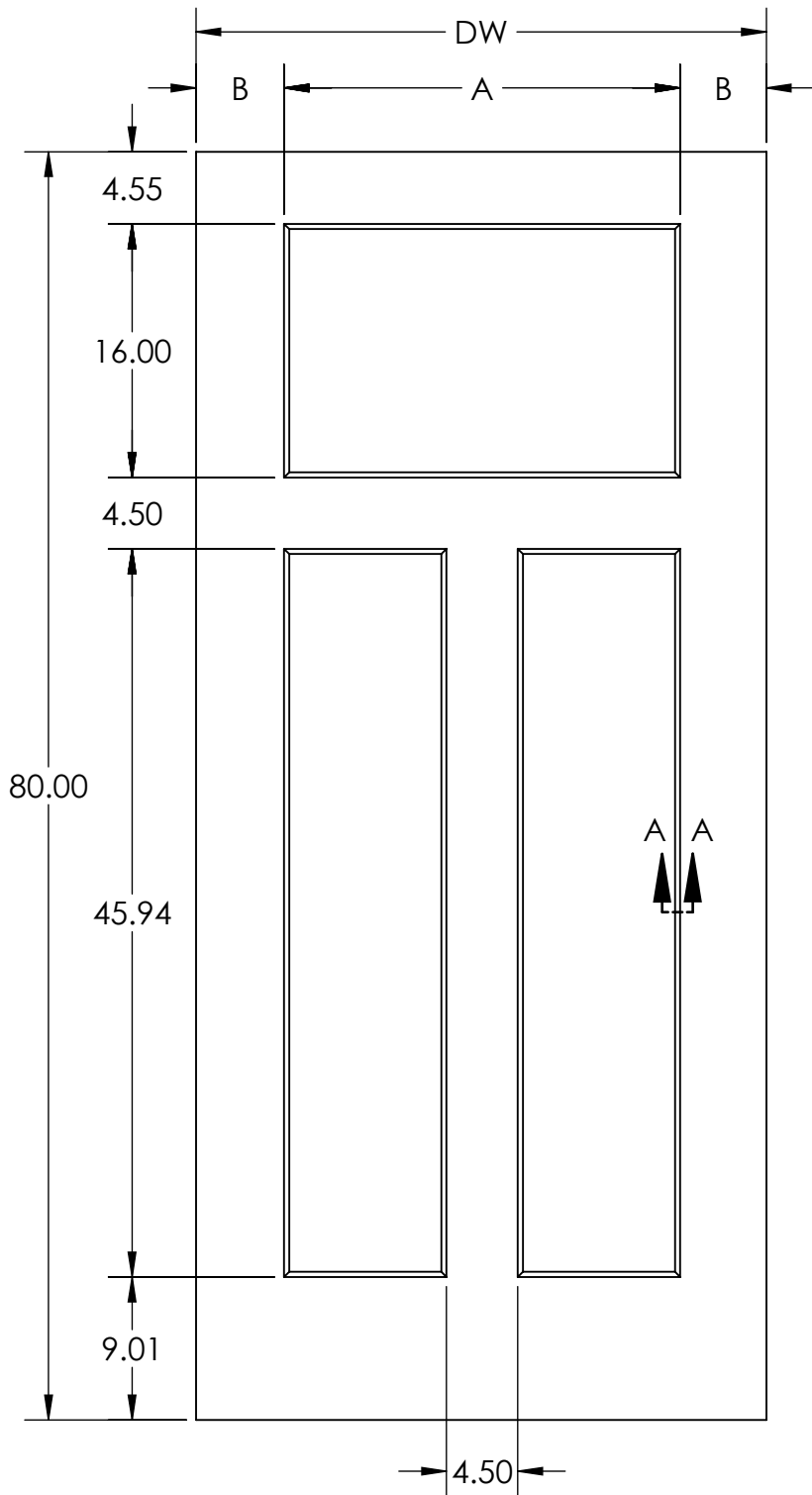
Molded Profile Bifold



DIMENSIONS ARE IN: Inches
 DOOR TOLERANCES
 WIDTH (FULL WIDTH): ±1/16
 WIDTH (PREFIT): ±1/32
 HEIGHT: ±1/16
 SQUARE: ±1/8

THE INFORMATION CONTAINED IN THIS DRAWING IS THE SOLE PROPERTY OF Lynden Door, Inc. ANY REPRODUCTION IN PART OR AS A WHOLE WITHOUT THE WRITTEN PERMISSION OF Lynden Door, Inc. IS PROHIBITED.

A04-00058 11/27/18



| Yarrow 6'8" | | |
|--|-------|------|
| All dimensions nominal before prefit and bevel. | | |
| DW | A | B |
| 3-0 | 25.00 | 5.50 |
| 2-10 | 25.00 | 4.50 |
| 2-8 | 21.00 | 5.50 |
| 2-6 | 21.00 | 4.50 |
| 2-4 | 17.00 | 5.50 |
| 2-2 | 17.00 | 4.50 |
| 2-0 | 15.00 | 4.50 |
| 1-10 | 15.00 | 3.50 |
| Bottom rail dimension does not comply with ADA requirements. | | |

Yarrow (Craftsman)

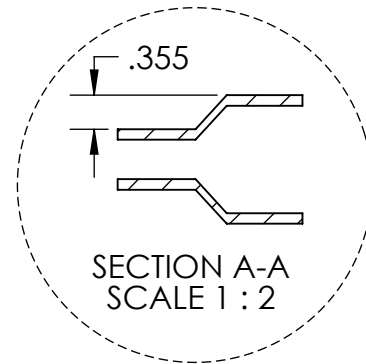
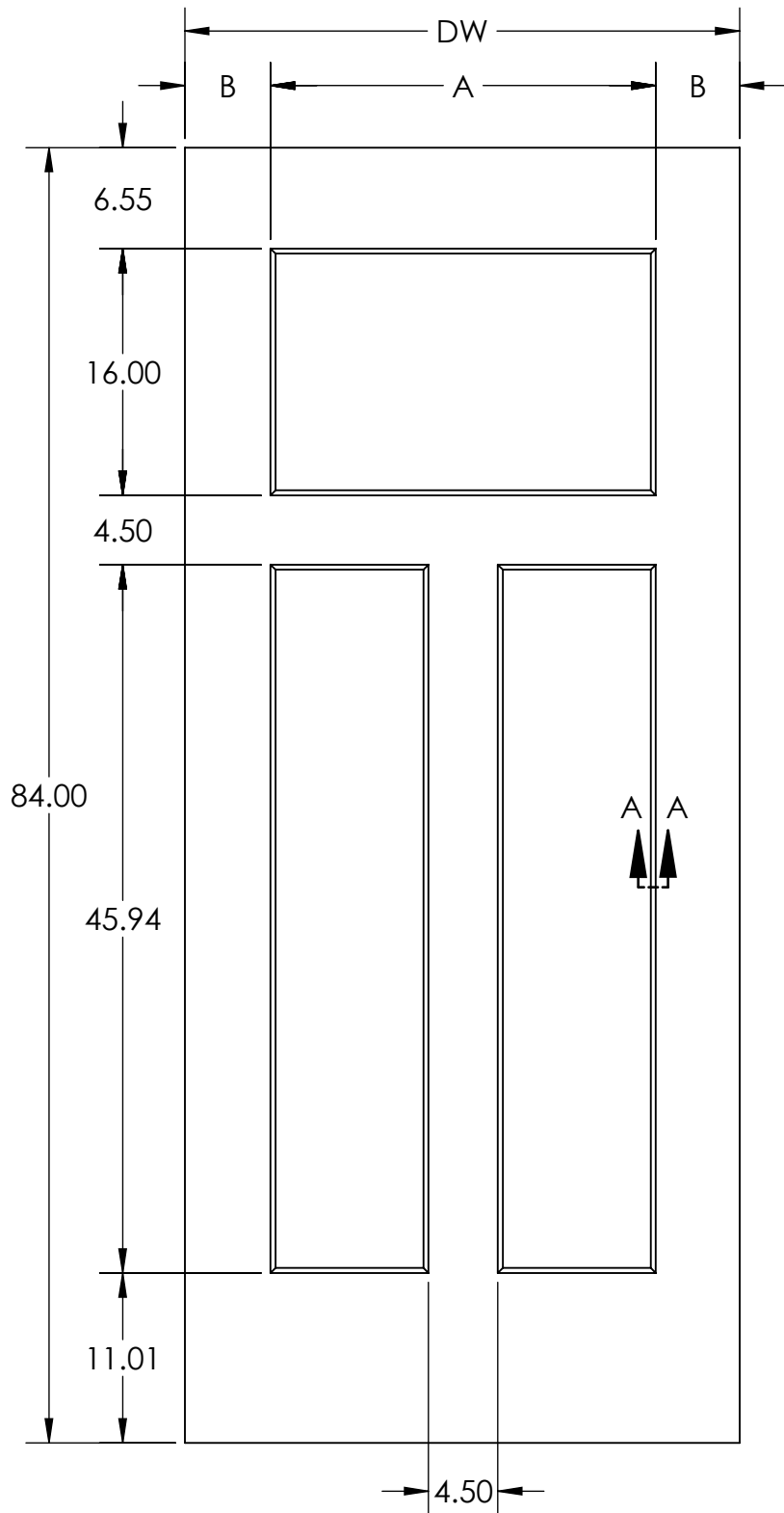
Molded Profile Door



DIMENSIONS ARE IN: inches
 DOOR TOLERANCES
 WIDTH (FULL WIDTH): $\pm 1/16$
 WIDTH (PREFIT): $\pm 1/32$
 HEIGHT: $\pm 1/16$
 SQUARE: $\pm 1/8$

THE INFORMATION CONTAINED IN THIS DRAWING IS THE SOLE PROPERTY OF Lynden Door, Inc. ANY REPRODUCTION IN PART OR AS A WHOLE WITHOUT THE WRITTEN PERMISSION OF Lynden Door, Inc. IS PROHIBITED.

A04-00049 01/15/19



| Yarrow 7'0" | | |
|---|-------|------|
| All dimensions nominal before prefit and bevel. | | |
| DW | A | B |
| 3-0 | 25.00 | 5.50 |
| 2-10 | 25.00 | 4.50 |
| 2-8 | 21.00 | 5.50 |
| 2-6 | 21.00 | 4.50 |
| 2-4 | 17.00 | 5.50 |
| 2-2 | 17.00 | 4.50 |
| 2-0 | 15.00 | 4.50 |
| 1-10 | 15.00 | 3.50 |
| Bottom rail dimension complies with ADA requirements. | | |

Yarrow (Craftsman)

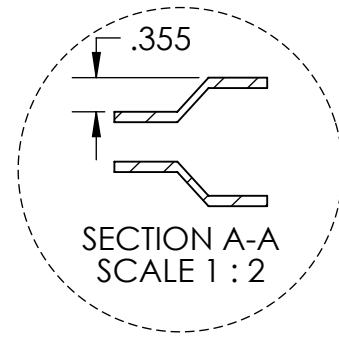
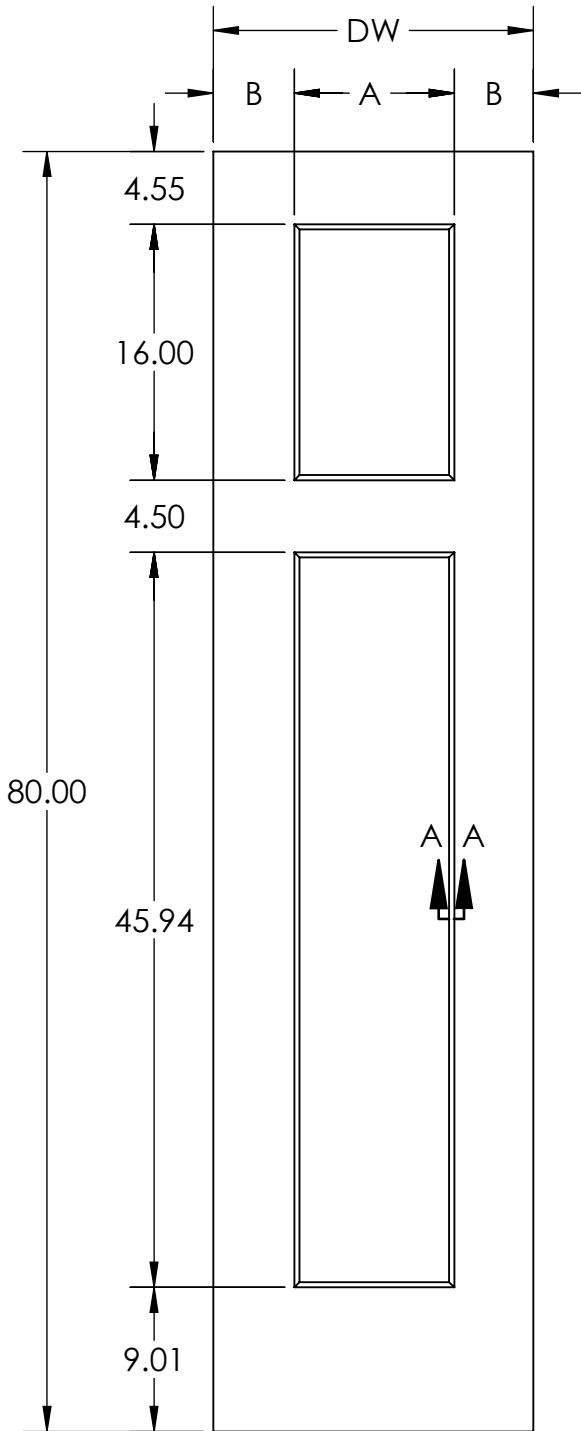
Molded Profile Door



DIMENSIONS ARE IN: inches
 DOOR TOLERANCES
 WIDTH (FULL WIDTH): $\pm 1/16$
 WIDTH (PREFIT): $\pm 1/32$
 HEIGHT: $\pm 1/16$
 SQUARE: $\pm 1/8$

THE INFORMATION CONTAINED IN THIS DRAWING IS THE SOLE PROPERTY OF Lynden Door, Inc. ANY REPRODUCTION IN PART OR AS A WHOLE WITHOUT THE WRITTEN PERMISSION OF Lynden Door, Inc. IS PROHIBITED.

A04-00049 01/15/19



| 2-Panel Yarrow 6'8" | | |
|--|-------|------|
| All dimensions nominal before prefit and bevel. | | |
| DW | A | B |
| 1-8 | 10.00 | 5.00 |
| 1-6 | 10.00 | 4.00 |
| Bottom rail dimension does not comply with ADA requirements. | | |

Yarrow (Craftsman)

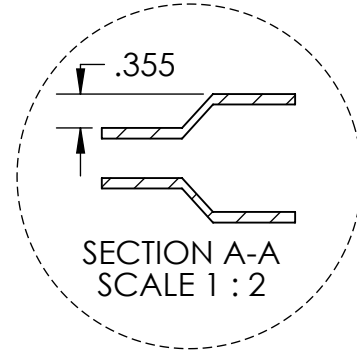
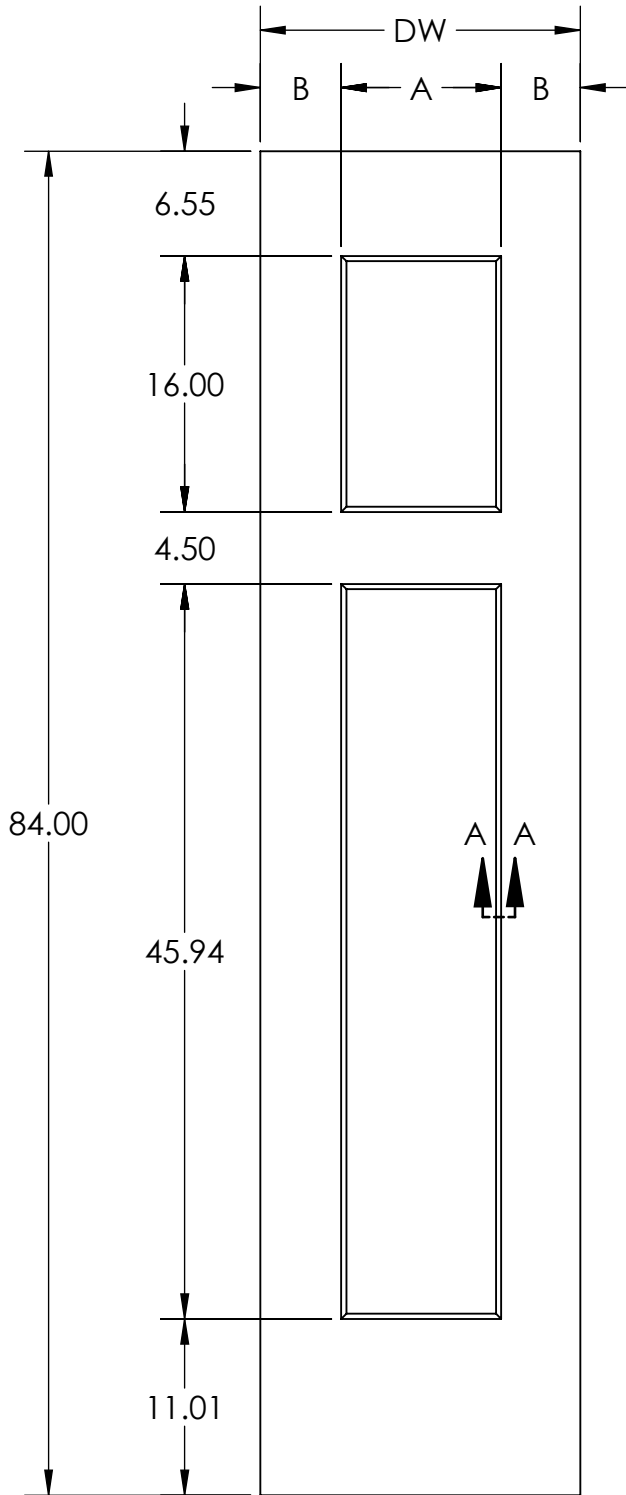
Molded Profile Door



DIMENSIONS ARE IN: inches
 DOOR TOLERANCES
 WIDTH (FULL WIDTH): $\pm 1/16$
 WIDTH (PREFIT): $\pm 1/32$
 HEIGHT: $\pm 1/16$
 SQUARE: $\pm 1/8$

THE INFORMATION CONTAINED IN THIS DRAWING IS THE
 SOLE PROPERTY OF Lynden Door, Inc. ANY
 REPRODUCTION IN PART OR AS A WHOLE WITHOUT THE
 WRITTEN PERMISSION OF Lynden Door, Inc. IS PROHIBITED.

A04-00049 01/15/19



| | | |
|--|-------|------|
| 2-Panel Yarrow 7'0" | | |
| All dimensions nominal before prefit and bevel. | | |
| DW | A | B |
| 1-8* | 10.00 | 5.00 |
| 1-6* | 10.00 | 4.00 |
| Bottom rail dimension complies with ADA requirements. | | |
| * Non-Stock, Contact factory for pricing and availability. | | |

Yarrow (Craftsman)

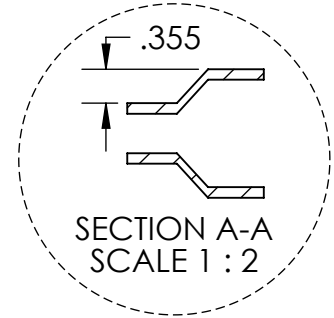
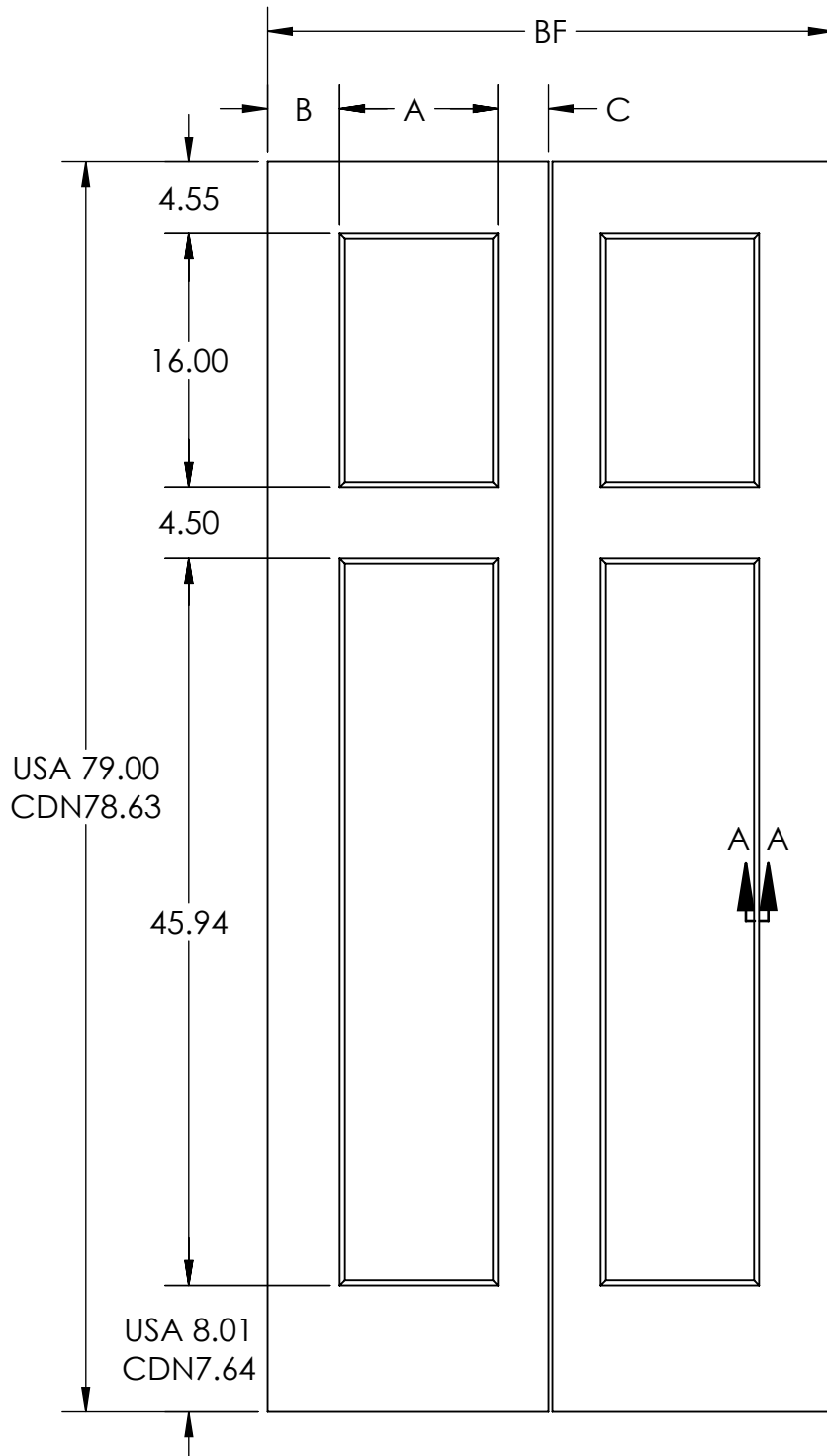
Molded Profile Door



DIMENSIONS ARE IN: inches
 DOOR TOLERANCES
 WIDTH (FULL WIDTH): $\pm 1/16$
 WIDTH (PREFIT): $\pm 1/32$
 HEIGHT: $\pm 1/16$
 SQUARE: $\pm 1/8$

THE INFORMATION CONTAINED IN THIS DRAWING IS THE SOLE PROPERTY OF Lynden Door, Inc. ANY REPRODUCTION IN PART OR AS A WHOLE WITHOUT THE WRITTEN PERMISSION OF Lynden Door, Inc. IS PROHIBITED.

A04-00049 01/15/19



| Yarrow Bifold 6'8" | | | |
|--------------------|------|------|------|
| BF | A | B | C |
| 3-0 | 8.25 | 4.80 | 4.70 |
| 2-8 | 8.25 | 4.70 | 2.80 |
| 2-6 | 6.00 | 4.38 | 4.38 |
| 2-4 | 6.00 | 4.38 | 3.38 |
| 2-0 | 4.00 | 3.88 | 3.88 |
| 1-8 | 4.00 | 3.88 | 1.88 |
| 1-6 | 4.00 | 3.12 | 1.63 |

Use of heavy duty hardware may require additional undercut. Lynden Door standard is 3/4"

Yarrow (Craftsman)

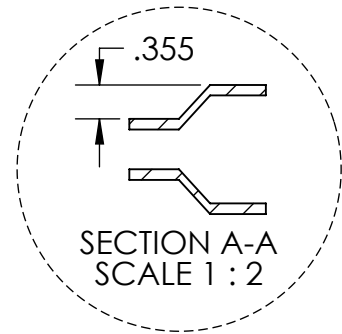
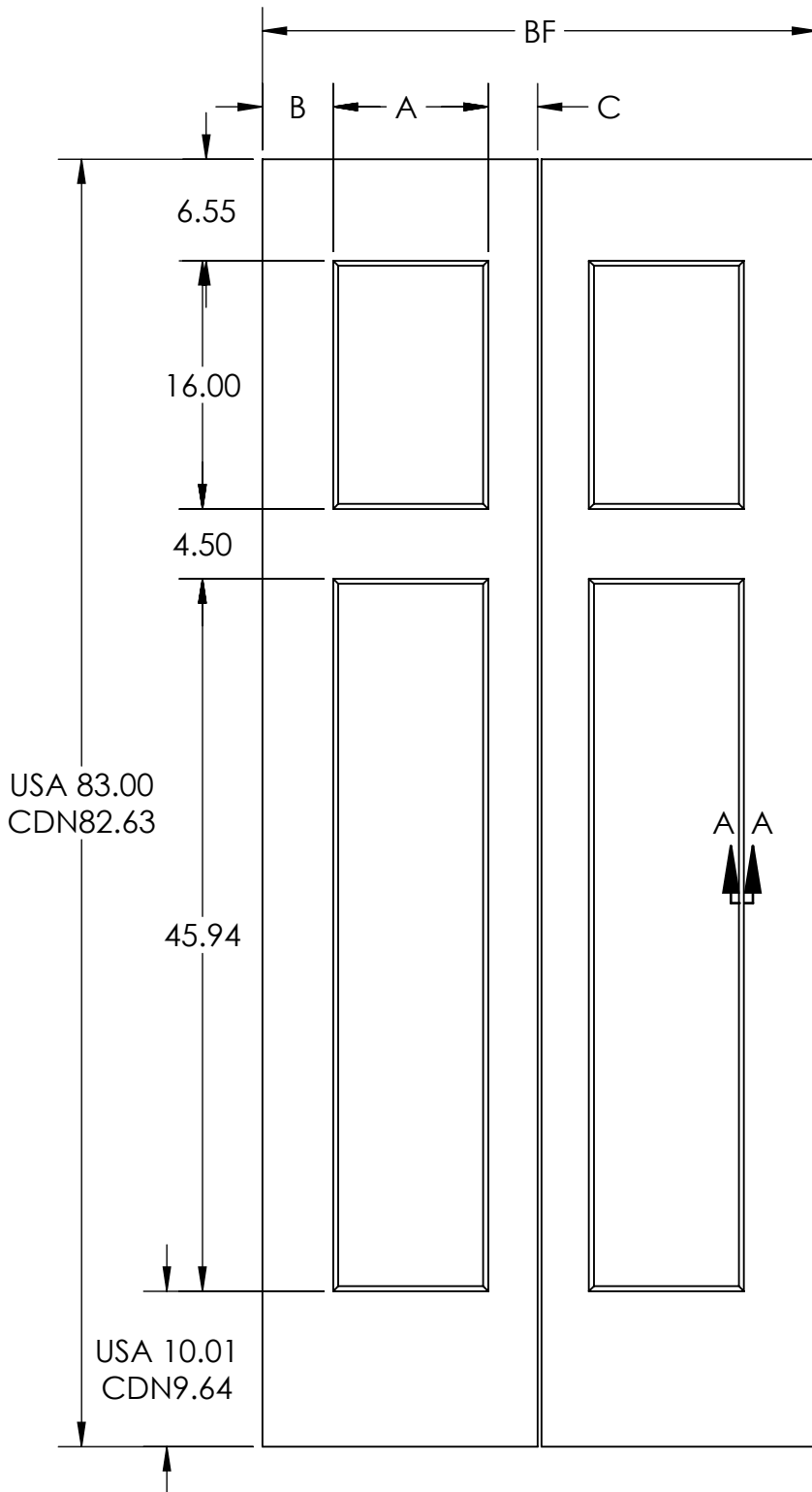
Molded Profile Bifold



DIMENSIONS ARE IN: Inches
DOOR TOLERANCES
WIDTH (FULL WIDTH): $\pm 1/16$
WIDTH (PREFIT): $\pm 1/32$
HEIGHT: $\pm 1/16$
SQUARE: $\pm 1/8$

THE INFORMATION CONTAINED IN THIS DRAWING IS THE SOLE PROPERTY OF Lynden Door, Inc. ANY REPRODUCTION IN PART OR AS A WHOLE WITHOUT THE WRITTEN PERMISSION OF Lynden Door, Inc. IS PROHIBITED.

A04-00049 01/15/19



| Yarrow Bifold 7'0" | | | |
|--------------------|------|------|------|
| BF | A | B | C |
| 3-0* | 8.25 | 4.80 | 4.70 |
| 2-8* | 8.25 | 4.70 | 2.80 |
| 2-6* | 6.00 | 4.38 | 4.38 |
| 2-4* | 6.00 | 4.38 | 3.38 |
| 2-0* | 4.00 | 3.88 | 3.88 |
| 1-8* | 4.00 | 3.88 | 1.88 |
| 1-6* | 4.00 | 3.12 | 1.63 |

Use of heavy duty hardware may require additional undercut. Lynden Door standard is 3/4"

*** Non-Stock, Contact factory for pricing and availability.**

Yarrow (Craftsman)

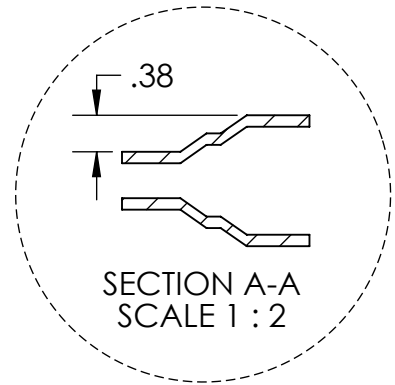
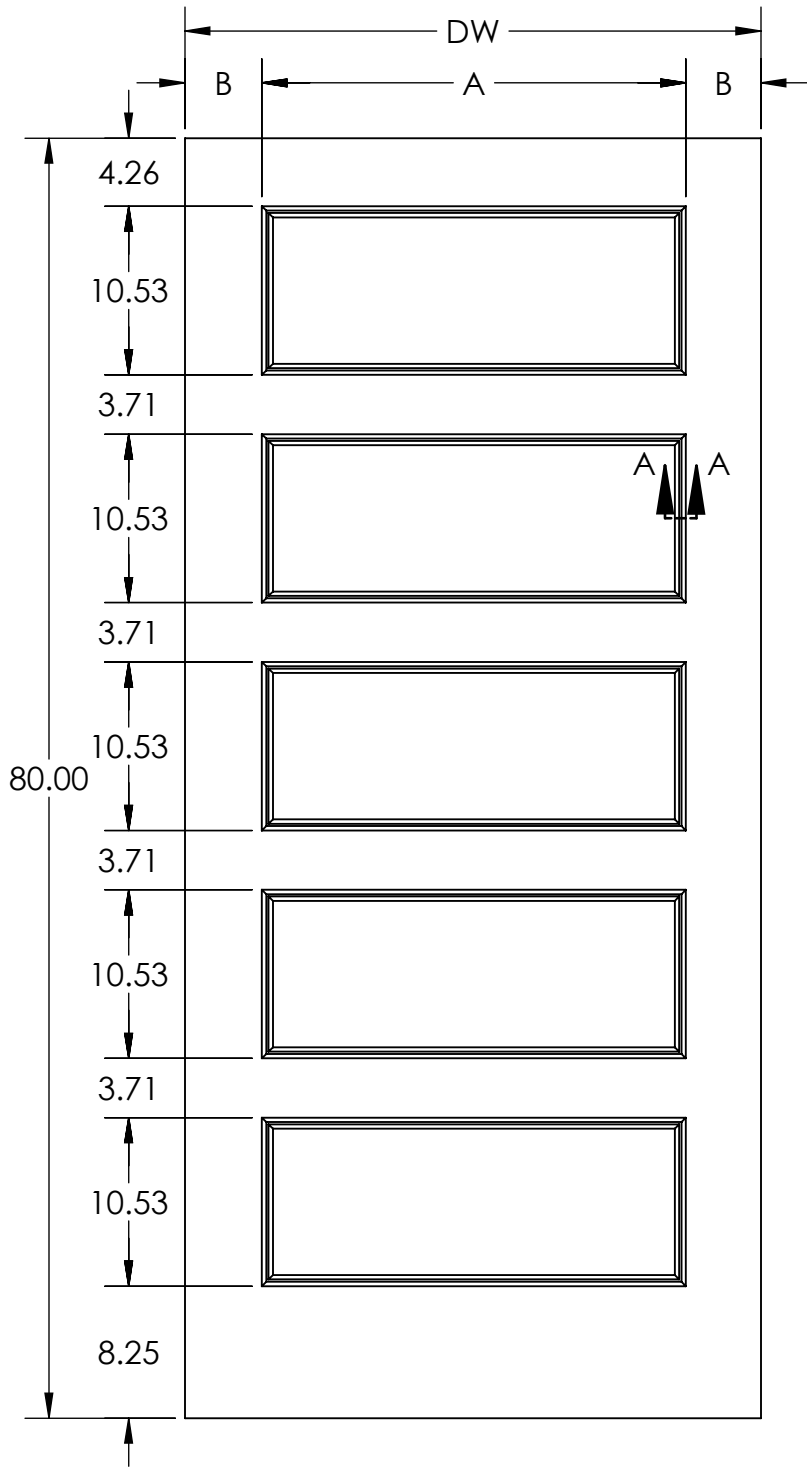
Molded Profile Bifold



DIMENSIONS ARE IN: Inches
 DOOR TOLERANCES
 WIDTH (FULL WIDTH): ±1/16
 WIDTH (PREFIT): ±1/32
 HEIGHT: ±1/16
 SQUARE: ±1/8

THE INFORMATION CONTAINED IN THIS DRAWING IS THE SOLE PROPERTY OF Lynden Door, Inc. ANY REPRODUCTION IN PART OR AS A WHOLE WITHOUT THE WRITTEN PERMISSION OF Lynden Door, Inc. IS PROHIBITED.

A04-00049 01/15/19



| Winthrop 6'8" | | |
|--|-------|------|
| All dimensions nominal before prefit and bevel. | | |
| DW | A | B |
| 3-0 | 25.70 | 5.15 |
| 2-10 | 23.70 | 5.15 |
| 2-8 | 23.70 | 4.15 |
| 2-6 | 21.70 | 4.15 |
| 2-4 | 19.70 | 4.15 |
| 2-2 | 15.70 | 5.15 |
| 2-0 | 15.70 | 4.15 |
| 1-10 | 15.70 | 3.15 |
| 1-8 | 9.70 | 5.15 |
| 1-6 | 9.70 | 4.15 |
| Bottom rail dimension does not comply with ADA requirements. | | |

Winthrop (Conmore)

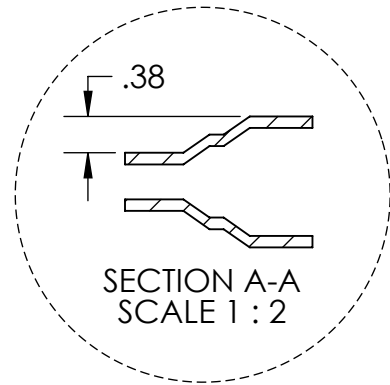
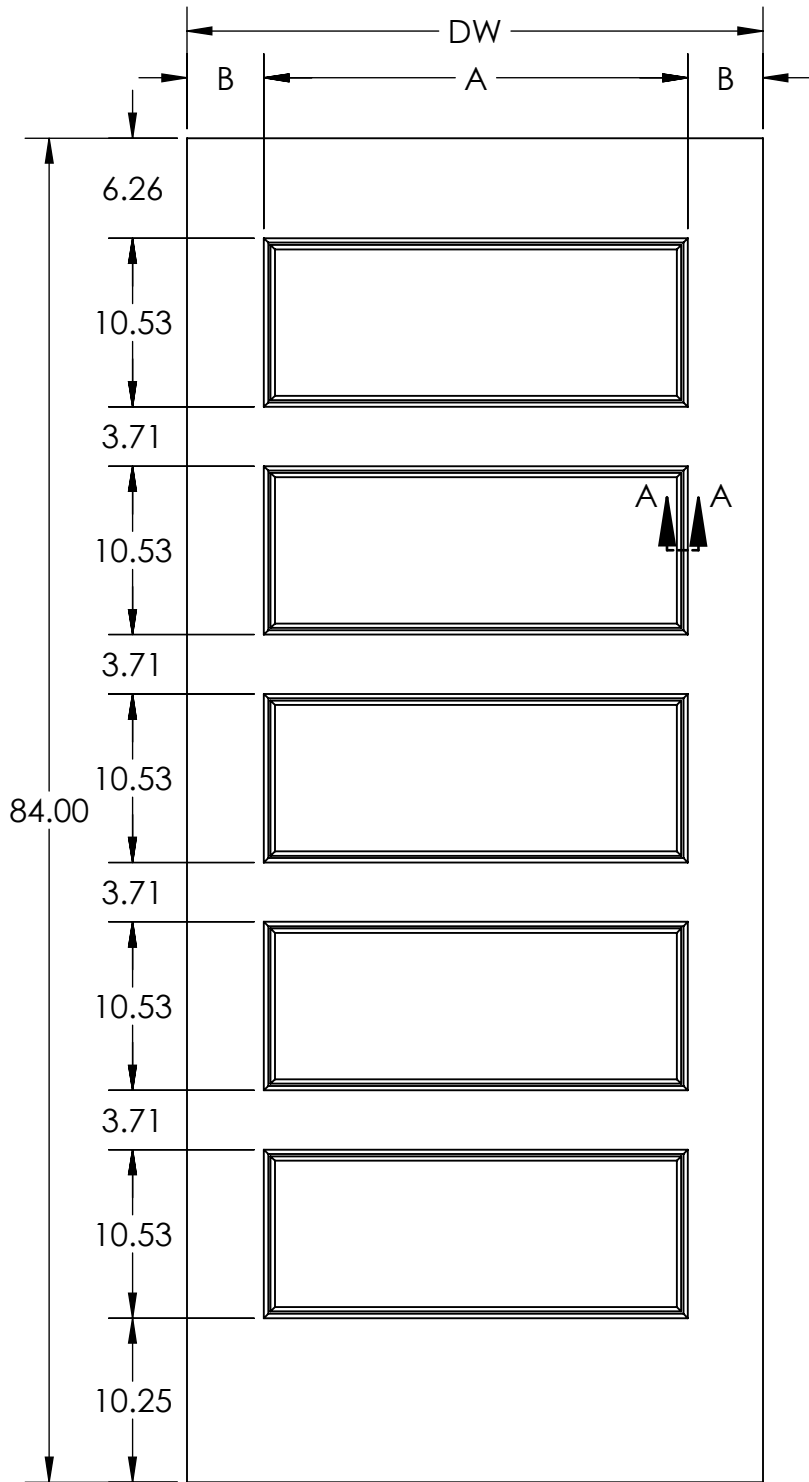
Molded Profile Door



DIMENSIONS ARE IN: inches
 DOOR TOLERANCES
 WIDTH (FULL WIDTH): ±1/16
 WIDTH (PREFIT): ±1/32
 HEIGHT: ±1/16
 SQUARE: ±1/8

THE INFORMATION CONTAINED IN THIS DRAWING IS THE SOLE PROPERTY OF Lynden Door, Inc. ANY REPRODUCTION IN PART OR AS A WHOLE WITHOUT THE WRITTEN PERMISSION OF Lynden Door, Inc. IS PROHIBITED.

A04-00046 01/15/19



| Winthrop 7'0" | | |
|--|------|------|
| All dimensions nominal before prefit and bevel. | | |
| DW | A | B |
| 3-0 | 25.7 | 5.15 |
| 2-10 | 23.7 | 5.15 |
| 2-8 | 23.7 | 4.15 |
| 2-6 | 21.7 | 4.15 |
| 2-4 | 19.7 | 4.15 |
| 2-2* | 15.7 | 5.15 |
| 2-0* | 15.7 | 4.15 |
| 1-10* | 15.7 | 3.15 |
| 1-8* | 9.7 | 5.15 |
| 1-6* | 9.7 | 4.15 |
| Bottom rail dimension complies with ADA requirements. | | |
| * Non-Stock, Contact factory for pricing and availability. | | |

Winthrop (Conmore)

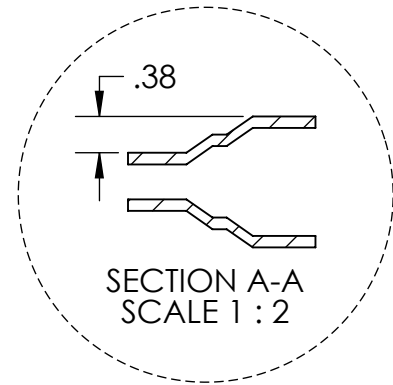
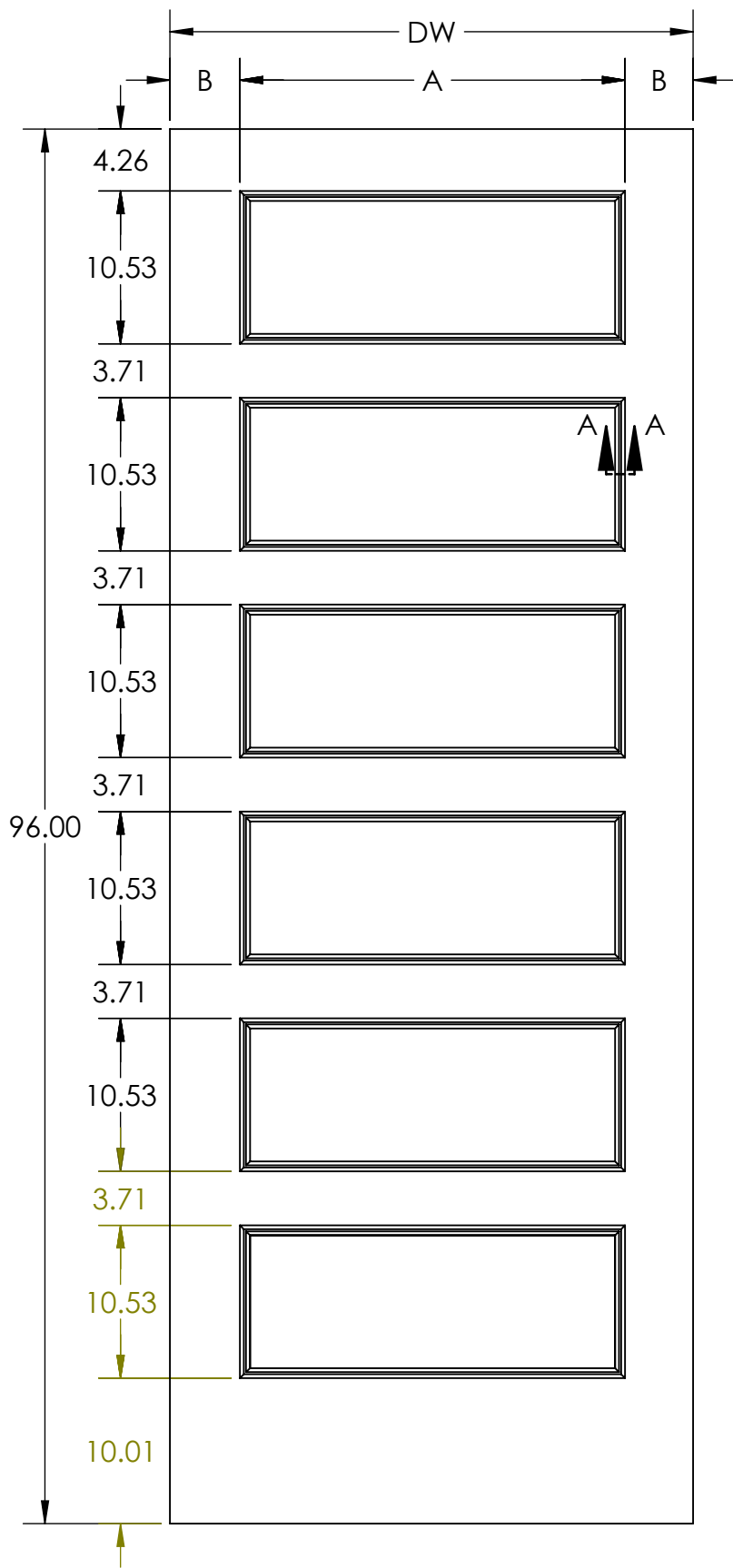
Molded Profile Door



DIMENSIONS ARE IN: Inches
 DOOR TOLERANCES
 WIDTH (FULL WIDTH): ±1/16
 WIDTH (PREFIT): ±1/32
 HEIGHT: ±1/16
 SQUARE: ±1/8

THE INFORMATION CONTAINED IN THIS DRAWING IS THE SOLE PROPERTY OF Lynden Door, Inc. ANY REPRODUCTION IN PART OR AS A WHOLE WITHOUT THE WRITTEN PERMISSION OF Lynden Door, Inc. IS PROHIBITED.

A04-00046 01/15/19



| Winthrop 8'0" | | |
|---|------|------|
| All dimensions nominal before prefit and bevel. | | |
| DW | A | B |
| 3-0 | 25.7 | 5.15 |
| 2-10 | 23.7 | 5.15 |
| 2-8 | 23.7 | 4.15 |
| 2-6 | 21.7 | 4.15 |
| 2-4 | 19.7 | 4.15 |
| 2-2 | 15.7 | 5.15 |
| 2-0 | 15.7 | 4.15 |
| 1-10 | 15.7 | 3.15 |
| 1-8 | 9.7 | 5.15 |
| 1-6 | 9.7 | 4.15 |
| Bottom rail dimension complies with ADA requirements. | | |

Winthrop (Conmore)

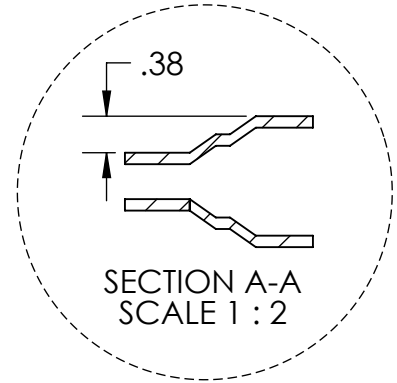
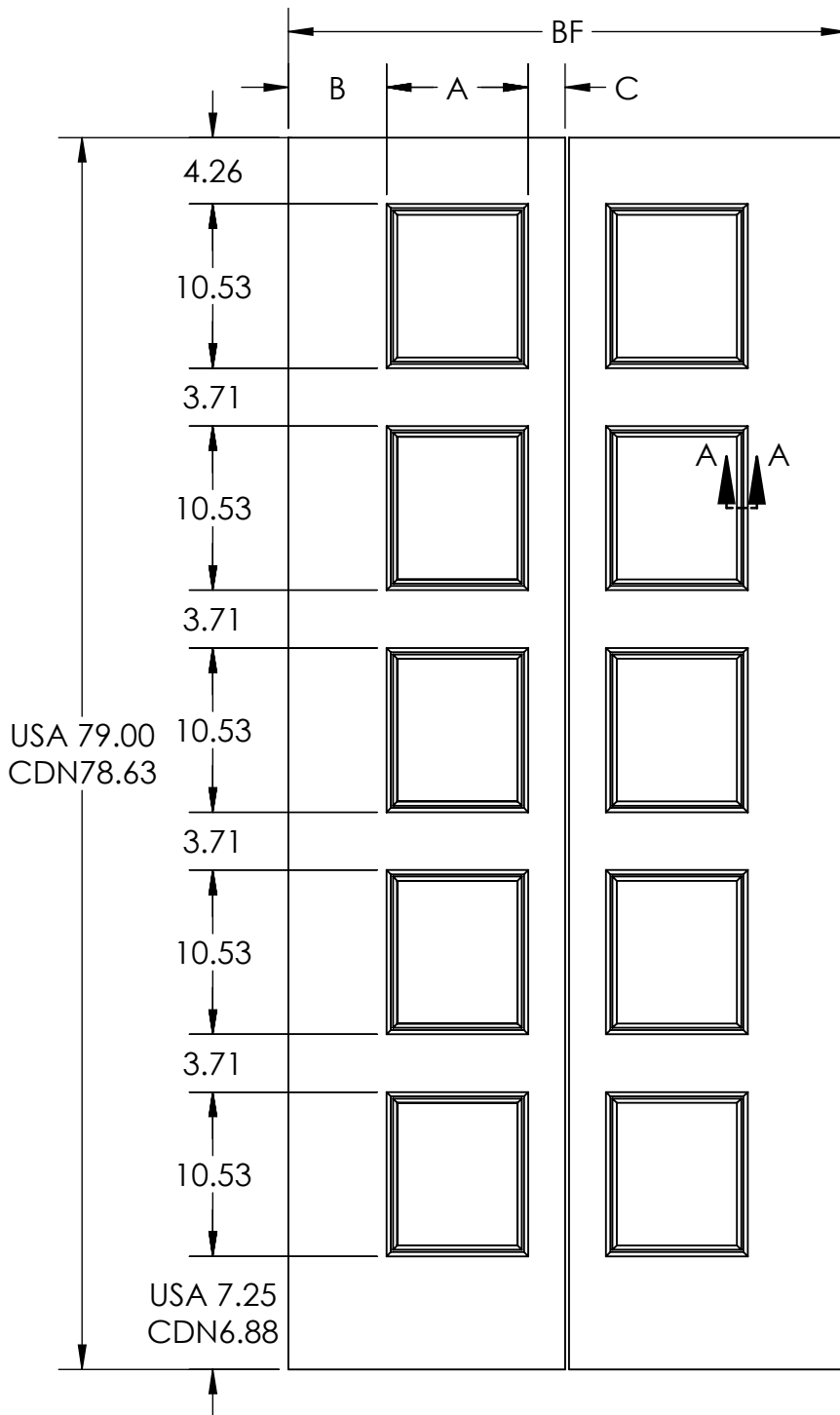
Molded Profile Door



DIMENSIONS ARE IN: inches
 DOOR TOLERANCES
 WIDTH (FULL WIDTH): ±1/16
 WIDTH (PREFIT): ±1/32
 HEIGHT: ±1/16
 SQUARE: ±1/8

THE INFORMATION CONTAINED IN THIS DRAWING IS THE SOLE PROPERTY OF Lynden Door, Inc. ANY REPRODUCTION IN PART OR AS A WHOLE WITHOUT THE WRITTEN PERMISSION OF Lynden Door, Inc. IS PROHIBITED.

A04-00046 01/15/19



| Winthrop Bifold 6'8" | | | |
|----------------------|------|------|------|
| BF | A | B | C |
| 3-0 | 9.09 | 6.41 | 2.25 |
| 2-8 | 9.09 | 4.41 | 2.25 |
| 2-6 | 9.09 | 3.41 | 2.25 |
| 2-4 | 9.09 | 2.41 | 2.25 |
| 2-0 | 6.79 | 3.30 | 1.66 |
| 1-8 | 6.79 | 1.66 | 1.30 |
| 1-6 | 6.79 | 1.05 | 0.91 |

Use of heavy duty hardware may require additional undercut. Lynden Door standard is 3/4"

Winthrop (Conmore)

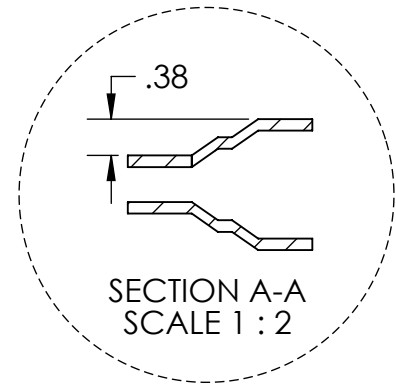
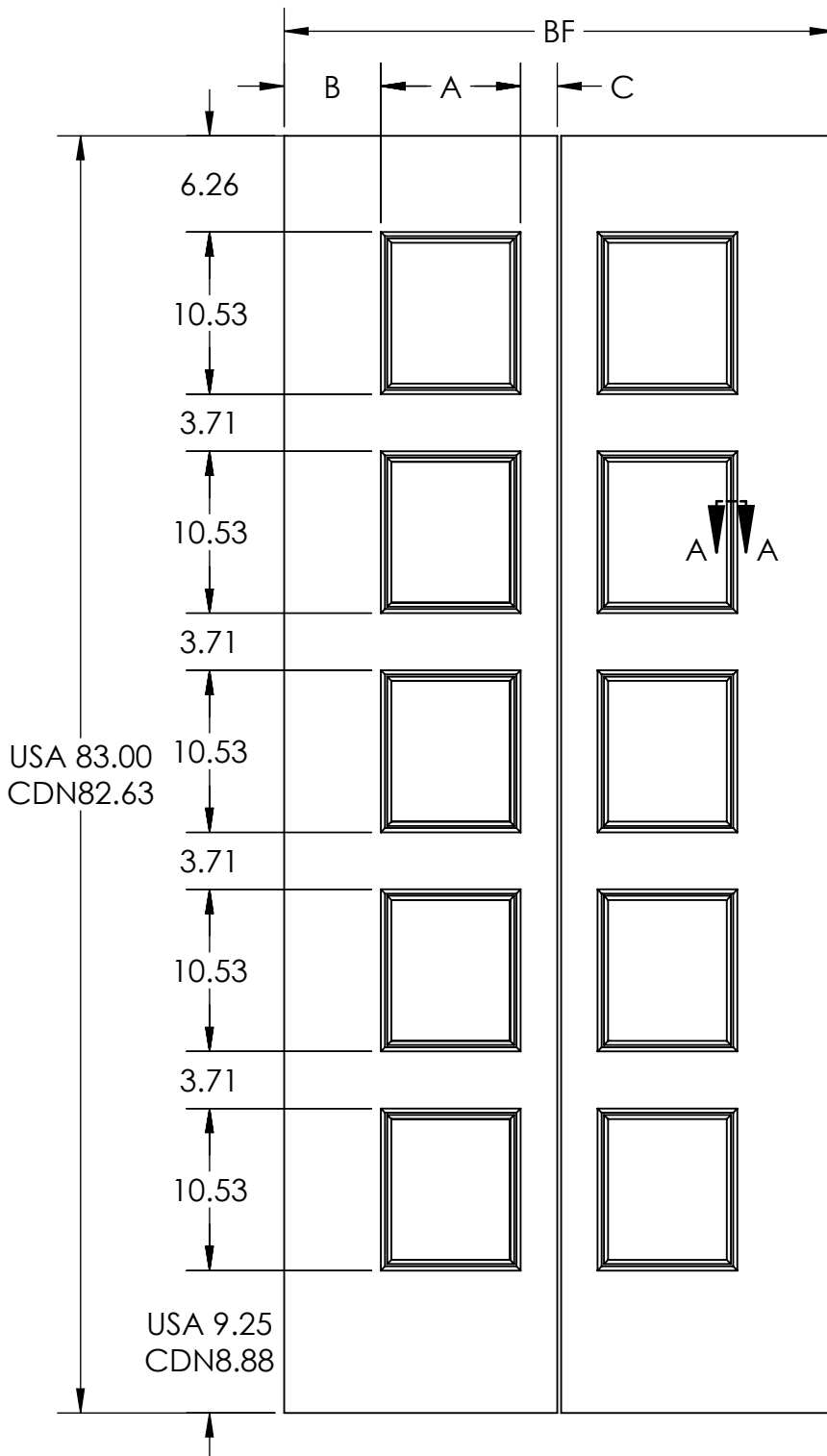
Molded Profile Bifold



DIMENSIONS ARE IN: Inches
 DOOR TOLERANCES
 WIDTH (FULL WIDTH): ±1/16
 WIDTH (PREFIT): ±1/32
 HEIGHT: ±1/16
 SQUARE: ±1/8

THE INFORMATION CONTAINED IN THIS DRAWING IS THE SOLE PROPERTY OF Lynden Door, Inc. ANY REPRODUCTION IN PART OR AS A WHOLE WITHOUT THE WRITTEN PERMISSION OF Lynden Door, Inc. IS PROHIBITED.

A04-00046 01/15/19



| Winthrop Bifold 7'0" | | | |
|--|------|------|------|
| BF | A | B | C |
| 3-0* | 9.09 | 6.41 | 2.25 |
| 2-8* | 9.09 | 4.41 | 2.25 |
| 2-6* | 9.09 | 3.41 | 2.25 |
| 2-4* | 9.09 | 2.41 | 2.25 |
| 2-0* | 6.79 | 3.30 | 1.66 |
| 1-8* | 6.79 | 1.66 | 1.30 |
| 1-6* | 6.79 | 1.05 | 0.91 |
| Use of heavy duty hardware may require additional undercut. Lynden Door standard is 3/4" | | | |
| * Non-Stock, Contact factory for pricing and availability. | | | |

Winthrop (Conmore)

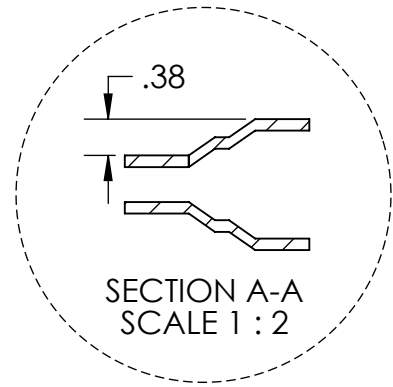
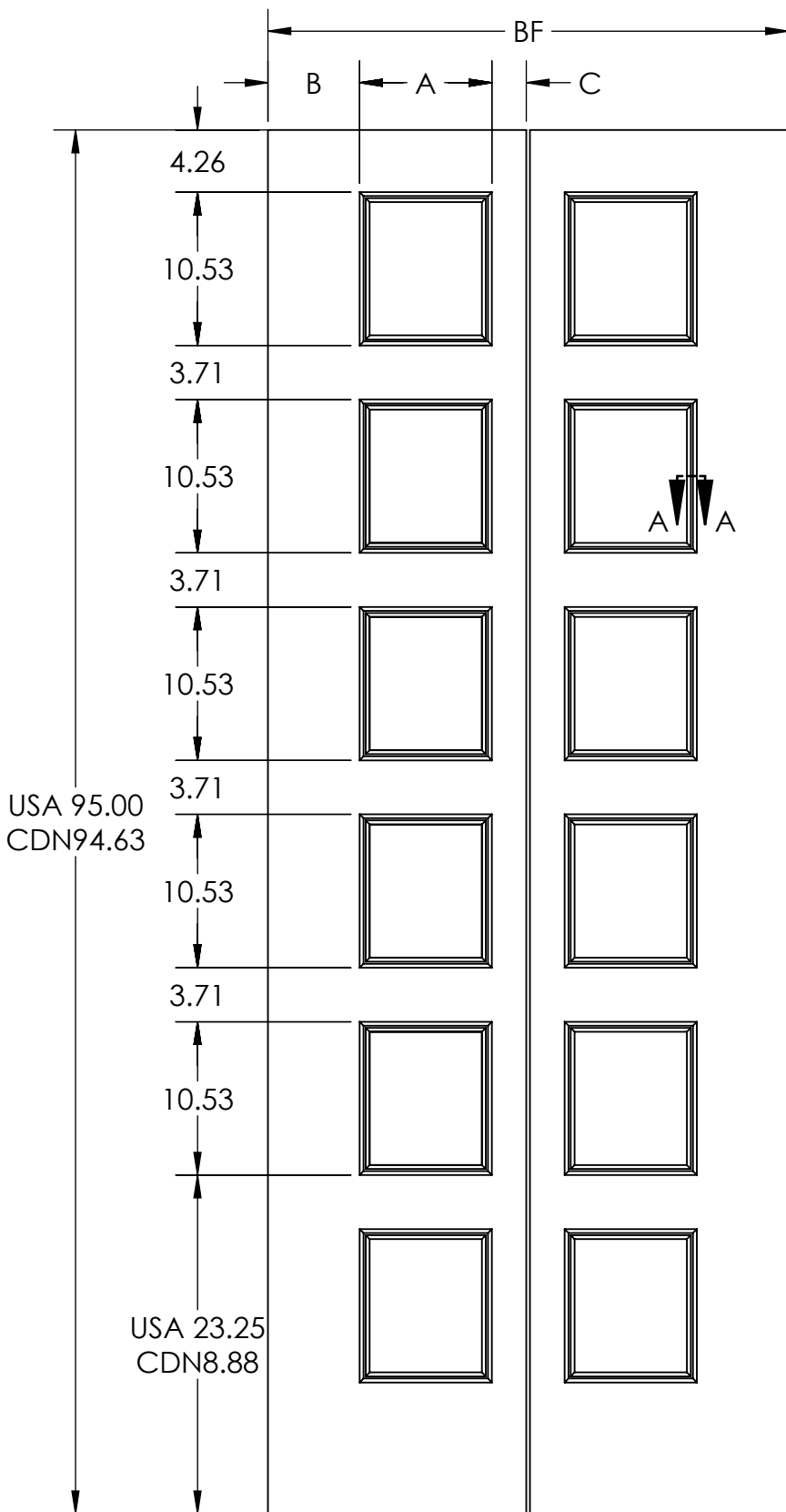
Molded Profile Bifold



DIMENSIONS ARE IN: Inches
 DOOR TOLERANCES
 WIDTH (FULL WIDTH): ±1/16
 WIDTH (PREFIT): ±1/32
 HEIGHT: ±1/16
 SQUARE: ±1/8

THE INFORMATION CONTAINED IN THIS DRAWING IS THE SOLE PROPERTY OF Lynden Door, Inc. ANY REPRODUCTION IN PART OR AS A WHOLE WITHOUT THE WRITTEN PERMISSION OF Lynden Door, Inc. IS PROHIBITED.

A04-00046 01/15/19



| Winthrop Bifold 8'0" | | | |
|--|------|------|------|
| BF | A | B | C |
| 3-0* | 9.09 | 6.41 | 2.25 |
| 2-8* | 9.09 | 4.41 | 2.25 |
| 2-6* | 9.09 | 3.41 | 2.25 |
| 2-4* | 9.09 | 2.41 | 2.25 |
| 2-0* | 6.79 | 3.30 | 1.66 |
| 1-8* | 6.79 | 1.66 | 1.30 |
| 1-6* | 6.79 | 1.05 | 0.91 |
| Use of heavy duty hardware may require additional undercut. Lynden Door standard is 3/4" | | | |
| * Non-Stock, Contact factory for pricing and availability. | | | |

Winthrop (Conmore)

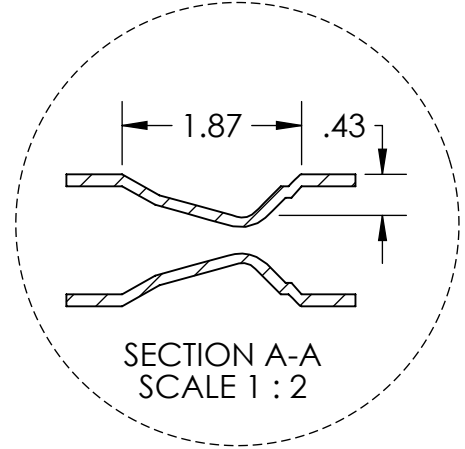
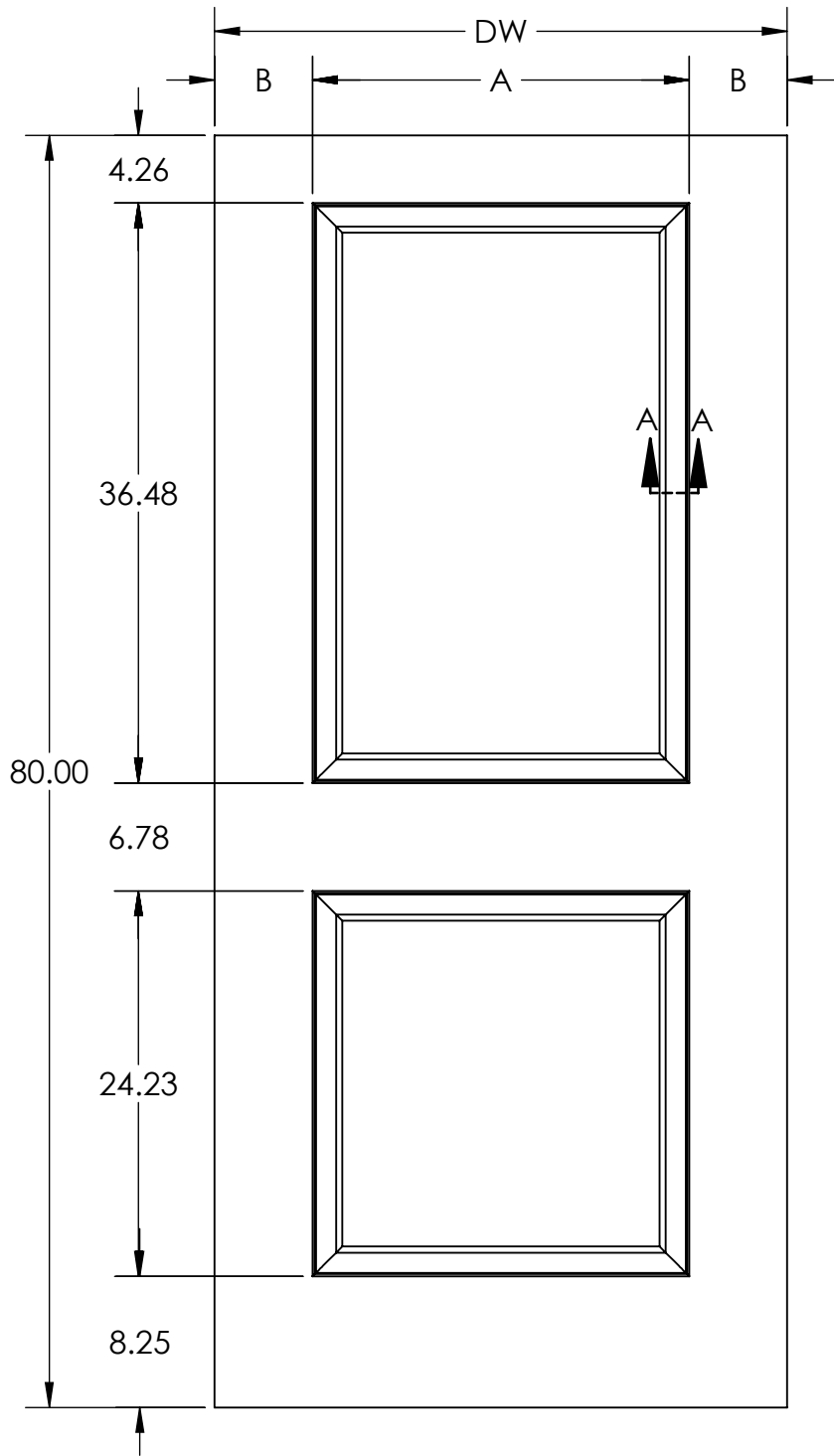
Molded Profile Bifold



DIMENSIONS ARE IN: Inches
DOOR TOLERANCES
WIDTH (FULL WIDTH): ±1/16
WIDTH (PREFIT): ±1/32
HEIGHT: ±1/16
SQUARE: ±1/8

THE INFORMATION CONTAINED IN THIS DRAWING IS THE SOLE PROPERTY OF Lynden Door, Inc. ANY REPRODUCTION IN PART OR AS A WHOLE WITHOUT THE WRITTEN PERMISSION OF Lynden Door, Inc. IS PROHIBITED.

A04-00046 01/15/19



| Kingston 6'8" | | |
|---|-------|------|
| All dimensions nominal before prefit and bevel. | | |
| DW | A | B |
| 3-0 | 23.69 | 6.15 |
| 2-10 | 21.69 | 6.15 |
| 2-8 | 21.69 | 5.15 |
| 2-6 | 19.69 | 5.15 |
| 2-4 | 17.69 | 5.15 |
| 2-2 | 15.69 | 5.15 |
| 2-0 | 15.69 | 4.15 |
| 1-10 | 15.69 | 3.15 |
| 1-8 | 11.96 | 4.02 |
| 1-6 | 11.96 | 3.02 |
| 1-4 | 7.08 | 4.46 |

Bottom rail dimension does not comply with ADA requirements.

Kingston (Carrara)

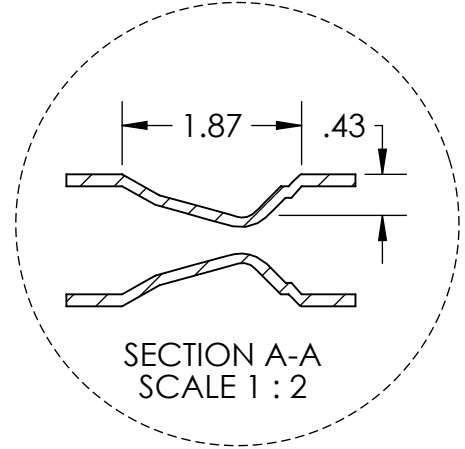
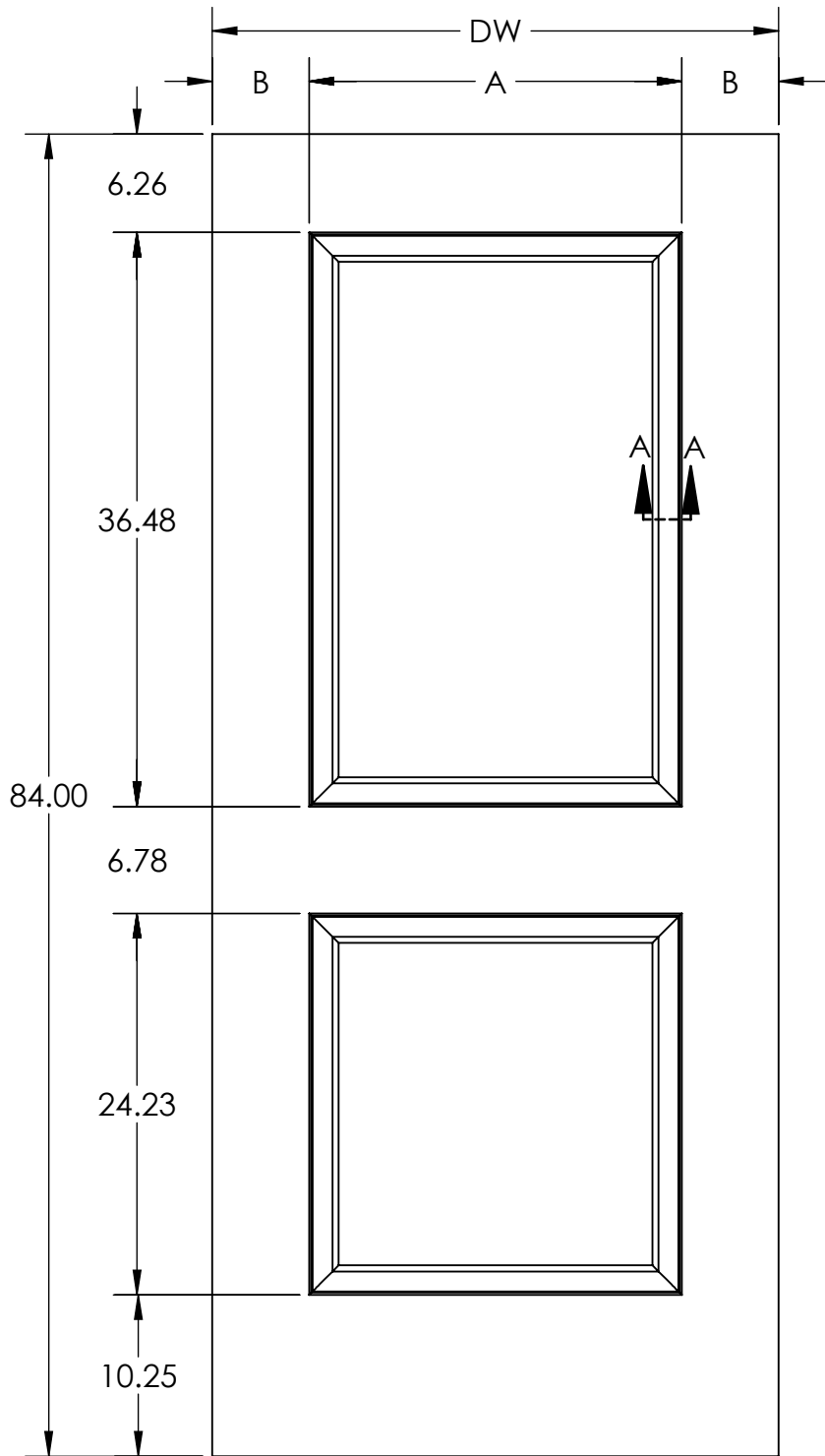
Molded Profile Door



DIMENSIONS ARE IN: inches
 DOOR TOLERANCES
 WIDTH (FULL WIDTH): $\pm 1/16$
 WIDTH (PREFIT): $\pm 1/32$
 HEIGHT: $\pm 1/16$
 SQUARE: $\pm 1/8$

THE INFORMATION CONTAINED IN THIS DRAWING IS THE SOLE PROPERTY OF Lynden Door, Inc. ANY REPRODUCTION IN PART OR AS A WHOLE WITHOUT THE WRITTEN PERMISSION OF Lynden Door, Inc. IS PROHIBITED.

A04-00043 02/07/19



| Kingston 7'0" | | |
|--|-------|------|
| All dimensions nominal before prefit and bevel. | | |
| DW | A | B |
| 3-0 | 23.69 | 6.15 |
| 2-10 | 21.69 | 6.15 |
| 2-8 | 21.69 | 5.15 |
| 2-6 | 19.69 | 5.15 |
| 2-4 | 17.69 | 5.15 |
| 2-2 | 15.69 | 5.15 |
| 2-0 | 15.69 | 4.15 |
| 1-10 | 15.69 | 3.15 |
| 1-8 | 11.96 | 4.02 |
| 1-6 | 11.96 | 3.02 |
| 1-4* | 7.08 | 4.46 |
| Bottom rail dimension complies with ADA requirements. | | |
| * Non-Stock, Contact factory for pricing and availability. | | |

Kingston (Carrara)

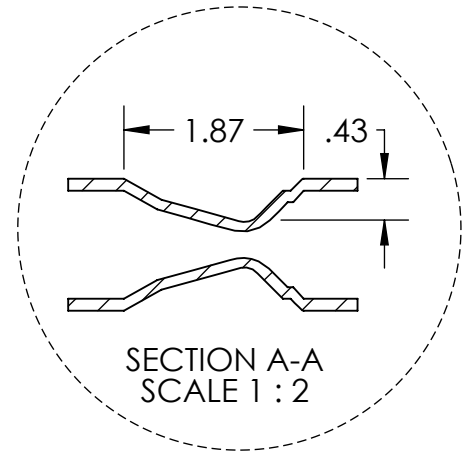
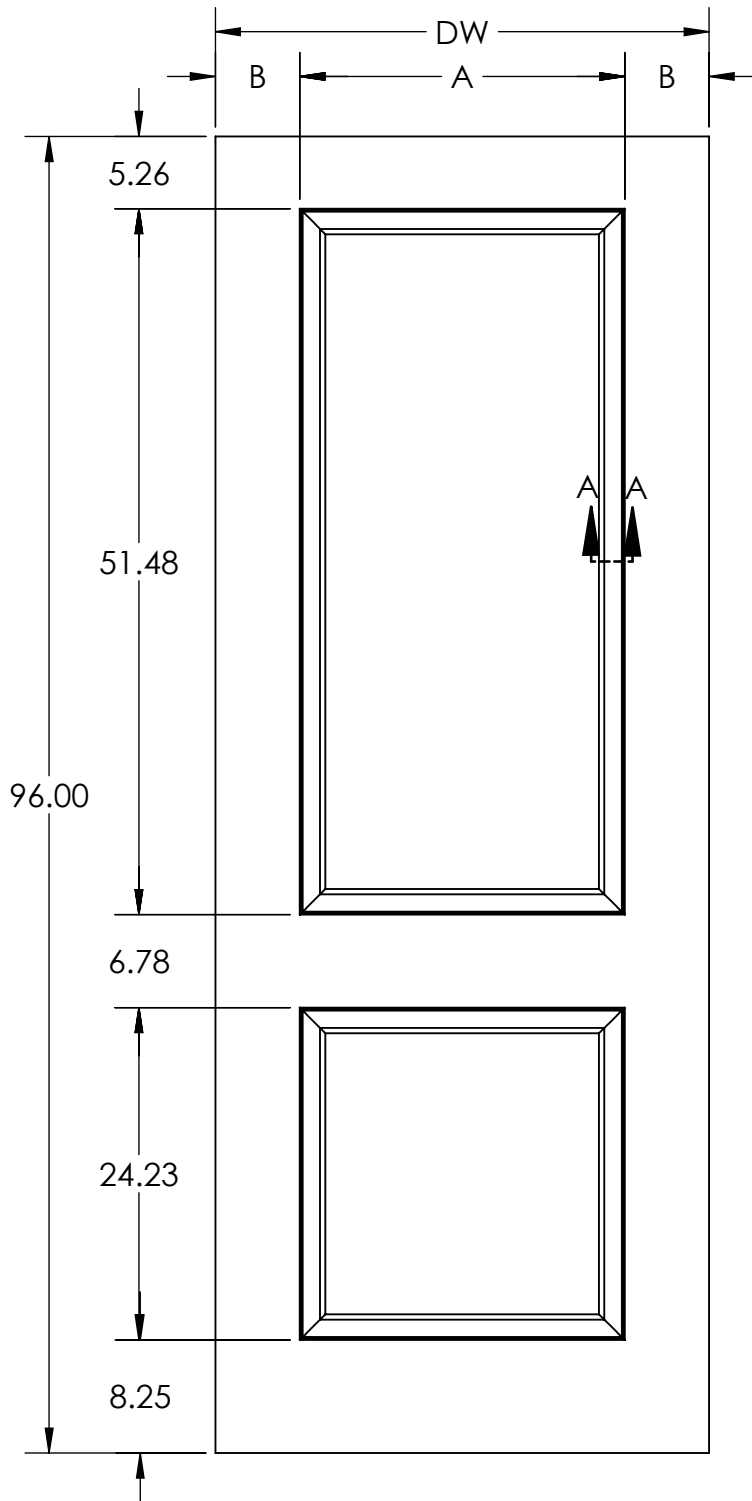
Molded Profile Door



DIMENSIONS ARE IN: inches
 DOOR TOLERANCES
 WIDTH (FULL WIDTH): ±1/16
 WIDTH (PREFIT): ±1/32
 HEIGHT: ±1/16
 SQUARE: ±1/8

THE INFORMATION CONTAINED IN THIS DRAWING IS THE SOLE PROPERTY OF Lynden Door, Inc. ANY REPRODUCTION IN PART OR AS A WHOLE WITHOUT THE WRITTEN PERMISSION OF Lynden Door, Inc. IS PROHIBITED.

A04-00043 02/07/19



| Kingston 8'0" | | |
|--|-------|------|
| All dimensions nominal before prefit and bevel. | | |
| DW | A | B |
| 3-0 | 23.69 | 6.15 |
| 2-10* | 23.69 | 5.15 |
| 2-8 | 21.69 | 5.15 |
| 2-6 | 19.69 | 5.15 |
| 2-4 | 17.69 | 5.15 |
| 2-2 | 17.69 | 4.15 |
| 2-0 | 15.69 | 4.15 |
| 1-10 | 15.69 | 3.15 |
| 1-8 | 11.96 | 4.02 |
| 1-6 | 11.96 | 3.02 |
| Bottom rail dimension does not comply with ADA requirements. | | |
| * Contact factory regarding availability of wider stile options. | | |

Kingston (Carrara)

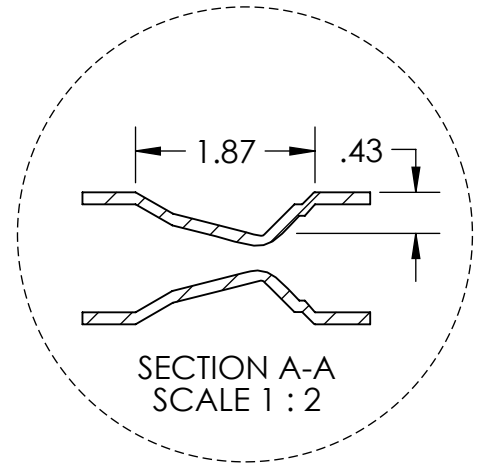
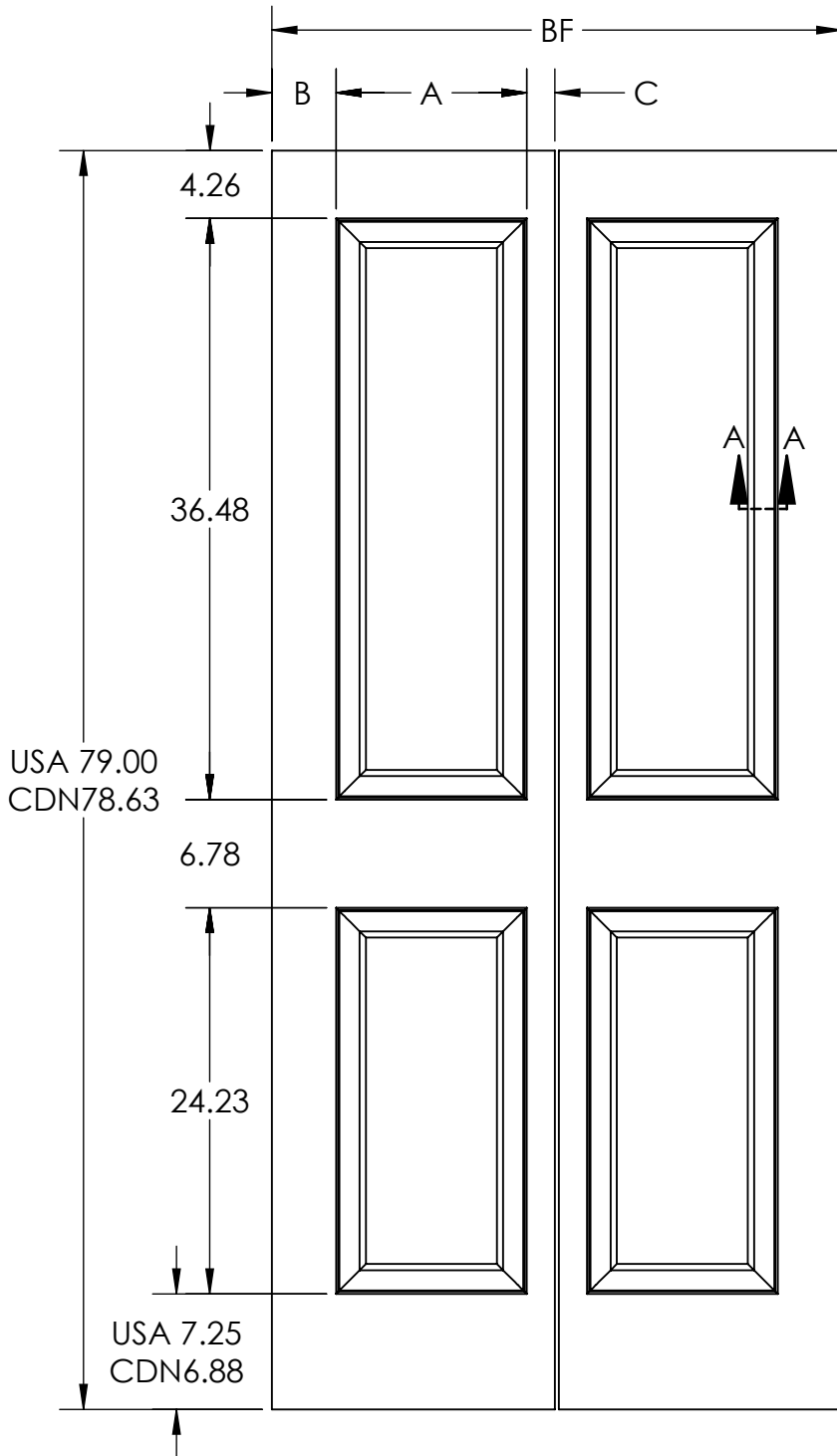
Molded Profile Door



DIMENSIONS ARE IN: inches
 DOOR TOLERANCES
 WIDTH (FULL WIDTH): ±1/16
 WIDTH (PREFIT): ±1/32
 HEIGHT: ±1/16
 SQUARE: ±1/8

THE INFORMATION CONTAINED IN THIS DRAWING IS THE SOLE PROPERTY OF Lynden Door, Inc. ANY REPRODUCTION IN PART OR AS A WHOLE WITHOUT THE WRITTEN PERMISSION OF Lynden Door, Inc. IS PROHIBITED.

A04-00043 02/07/19



| Kingston Bifold 6'8" | | | |
|----------------------|-------|------|------|
| BF | A | B | C |
| 3-0 | 11.96 | 4.02 | 1.77 |
| 2-8 | 9.96 | 4.02 | 1.77 |
| 2-6 | 8.96 | 4.02 | 1.77 |
| 2-4 | 7.96 | 4.02 | 1.77 |
| 2-0 | 5.96 | 4.02 | 1.77 |
| 1-8 | 5.96 | 2.02 | 1.77 |
| 1-6 | 5.96 | 1.77 | 1.02 |

Use of heavy duty hardware may require additional undercut. Lynden Door standard is 3/4"

Kingston (Carrara)

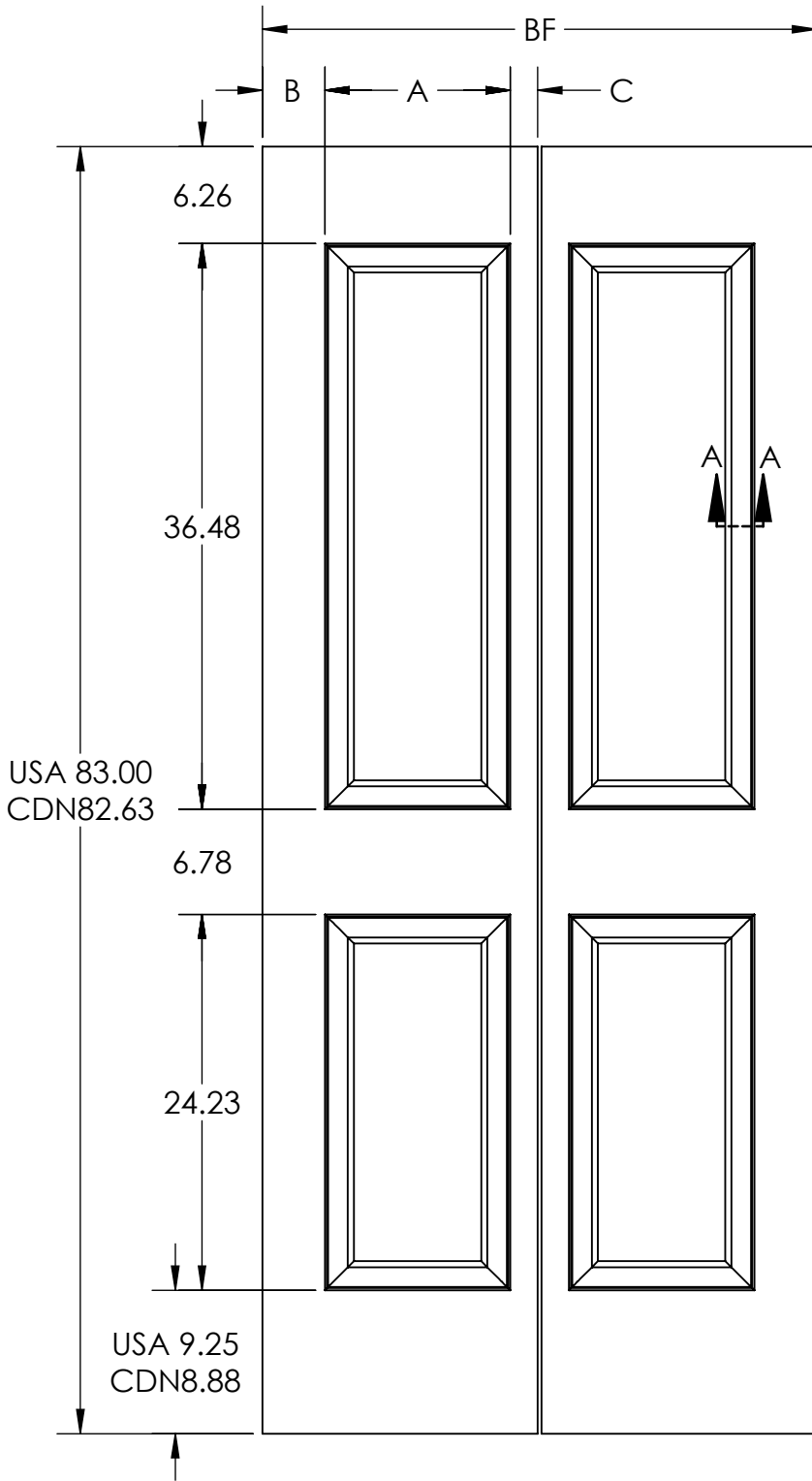
Molded Profile Bifold



DIMENSIONS ARE IN: Inches
 DOOR TOLERANCES
 WIDTH (FULL WIDTH): ±1/16
 WIDTH (PREFIT): ±1/32
 HEIGHT: ±1/16
 SQUARE: ±1/8

THE INFORMATION CONTAINED IN THIS DRAWING IS THE SOLE PROPERTY OF Lynden Door, Inc. ANY REPRODUCTION IN PART OR AS A WHOLE WITHOUT THE WRITTEN PERMISSION OF Lynden Door, Inc. IS PROHIBITED.

A04-00043 02/07/19



| Kingston Bifold 7'0" | | | |
|----------------------|-------|------|------|
| BF | A | B | C |
| 3-0 | 11.96 | 4.02 | 1.77 |
| 2-8 | 9.96 | 4.02 | 1.77 |
| 2-6 | 8.96 | 4.02 | 1.77 |
| 2-4 | 7.96 | 4.02 | 1.77 |
| 2-0 | 5.96 | 4.02 | 1.77 |
| 1-8 | 5.96 | 2.02 | 1.77 |
| 1-6 | 5.96 | 1.77 | 1.02 |

Use of heavy duty hardware may require additional undercut. Lynden Door standard is 3/4"

Kingston (Carrara)

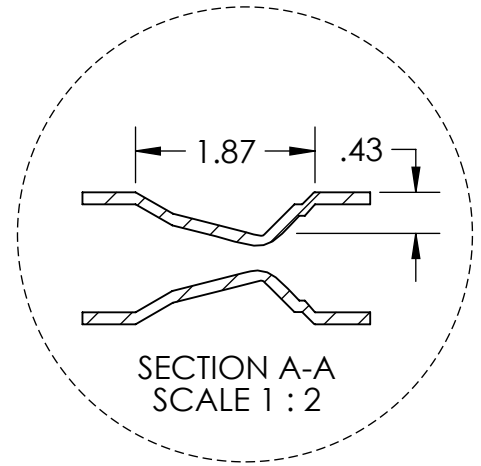
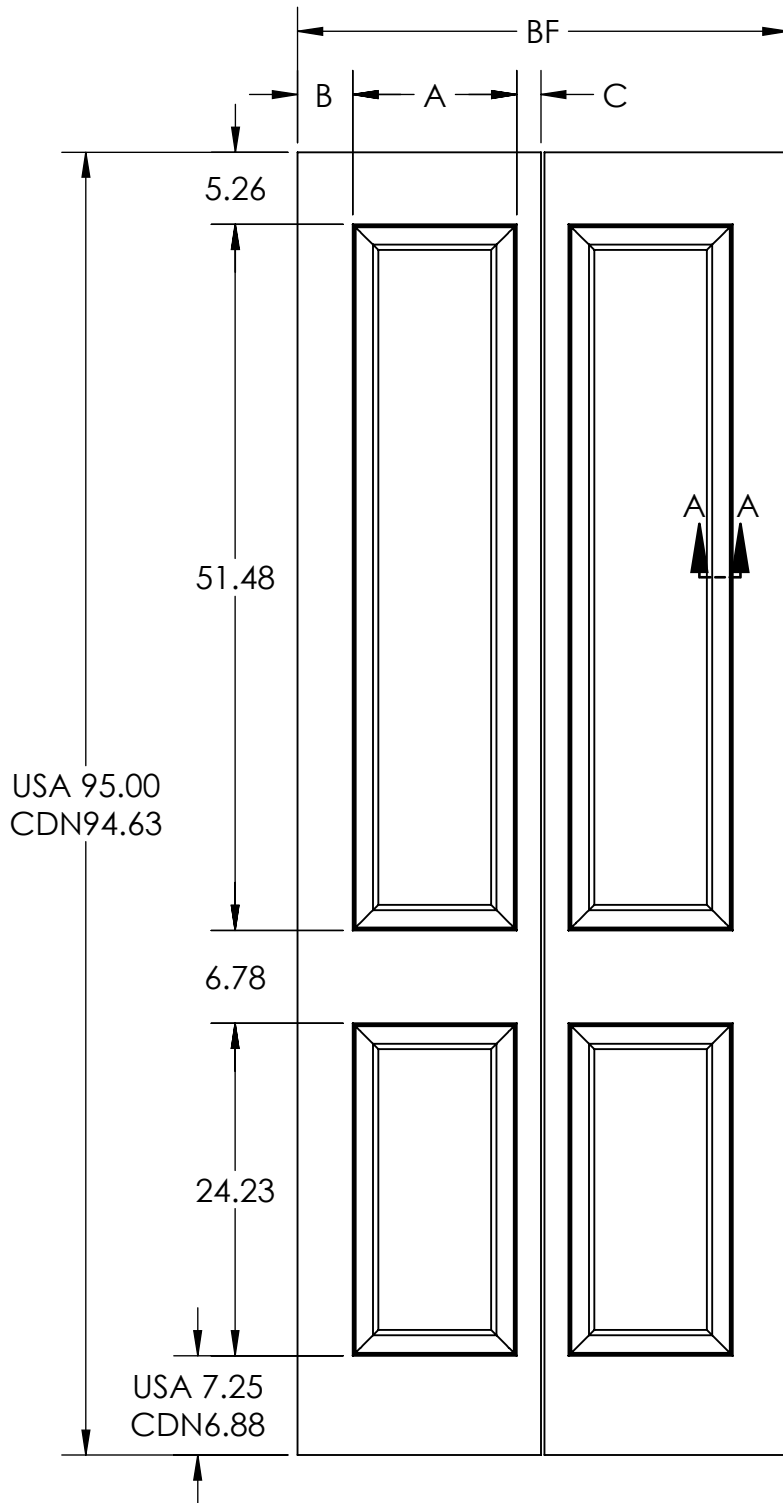
Molded Profile Bifold

Lynden Door
Open Your Future

DIMENSIONS ARE IN: inches
DOOR TOLERANCES
WIDTH (FULL WIDTH): $\pm 1/16$
WIDTH (PREFIT): $\pm 1/32$
HEIGHT: $\pm 1/16$
SQUARE: $\pm 1/8$

THE INFORMATION CONTAINED IN THIS DRAWING IS THE SOLE PROPERTY OF Lynden Door, Inc. ANY REPRODUCTION IN PART OR AS A WHOLE WITHOUT THE WRITTEN PERMISSION OF Lynden Door, Inc. IS PROHIBITED.

A04-00043.02/07/19



| Kingston Bifold 8'0" | | | |
|--|-------|------|------|
| BF | A | B | C |
| 3-0 | 11.96 | 4.02 | 1.77 |
| 2-8 | 9.96 | 4.02 | 1.77 |
| 2-6 | 8.96 | 4.02 | 1.77 |
| 2-4 | 7.96 | 4.02 | 1.77 |
| 2-0 | 5.96 | 4.02 | 1.77 |
| 1-8 | 5.96 | 2.02 | 1.77 |
| 1-6 | 5.96 | 1.77 | 1.02 |
| Use of heavy duty hardware may require additional undercut. Lynden Door standard is 3/4" | | | |

Kingston (Carrara)

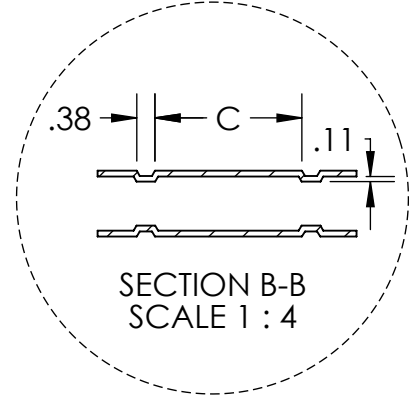
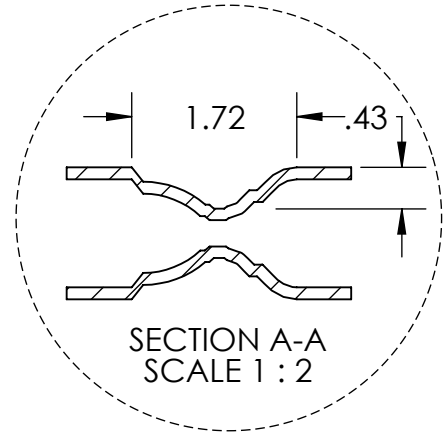
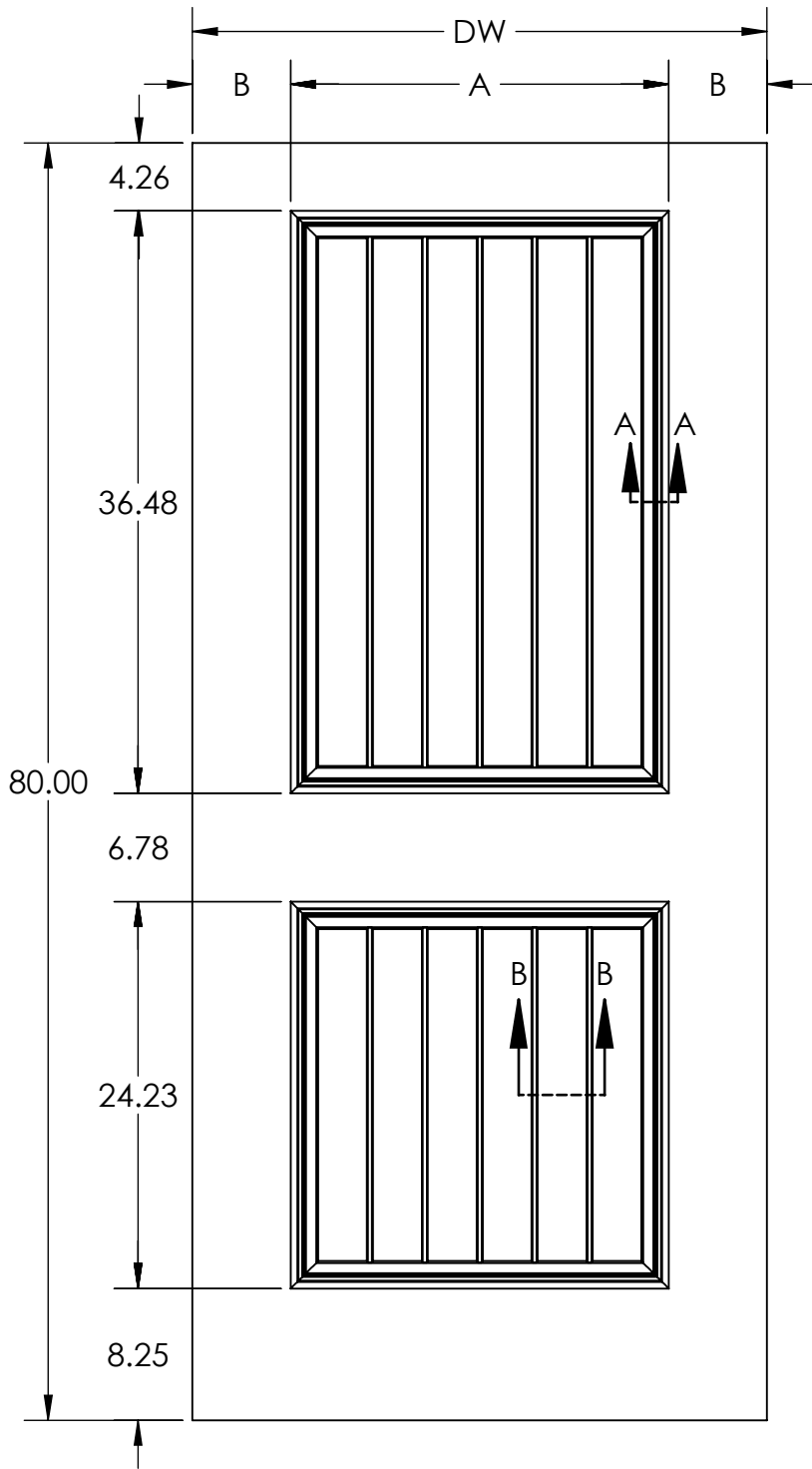
Molded Profile Bifold



DIMENSIONS ARE IN: Inches
 DOOR TOLERANCES
 WIDTH (FULL WIDTH): ±1/16
 WIDTH (PREFIT): ±1/32
 HEIGHT: ±1/16
 SQUARE: ±1/8

THE INFORMATION CONTAINED IN THIS DRAWING IS THE SOLE PROPERTY OF Lynden Door, Inc. ANY REPRODUCTION IN PART OR AS A WHOLE WITHOUT THE WRITTEN PERMISSION OF Lynden Door, Inc. IS PROHIBITED.

A04-00043 02/07/19



San Juan 6'8"

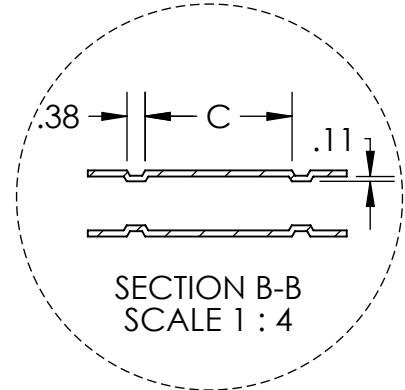
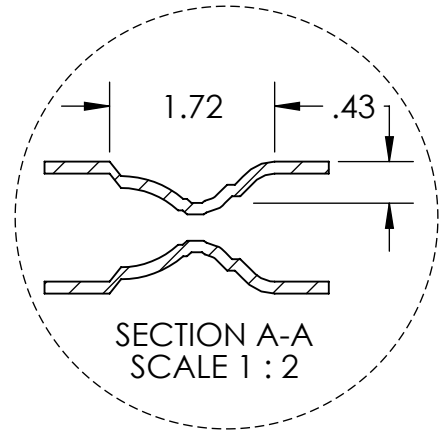
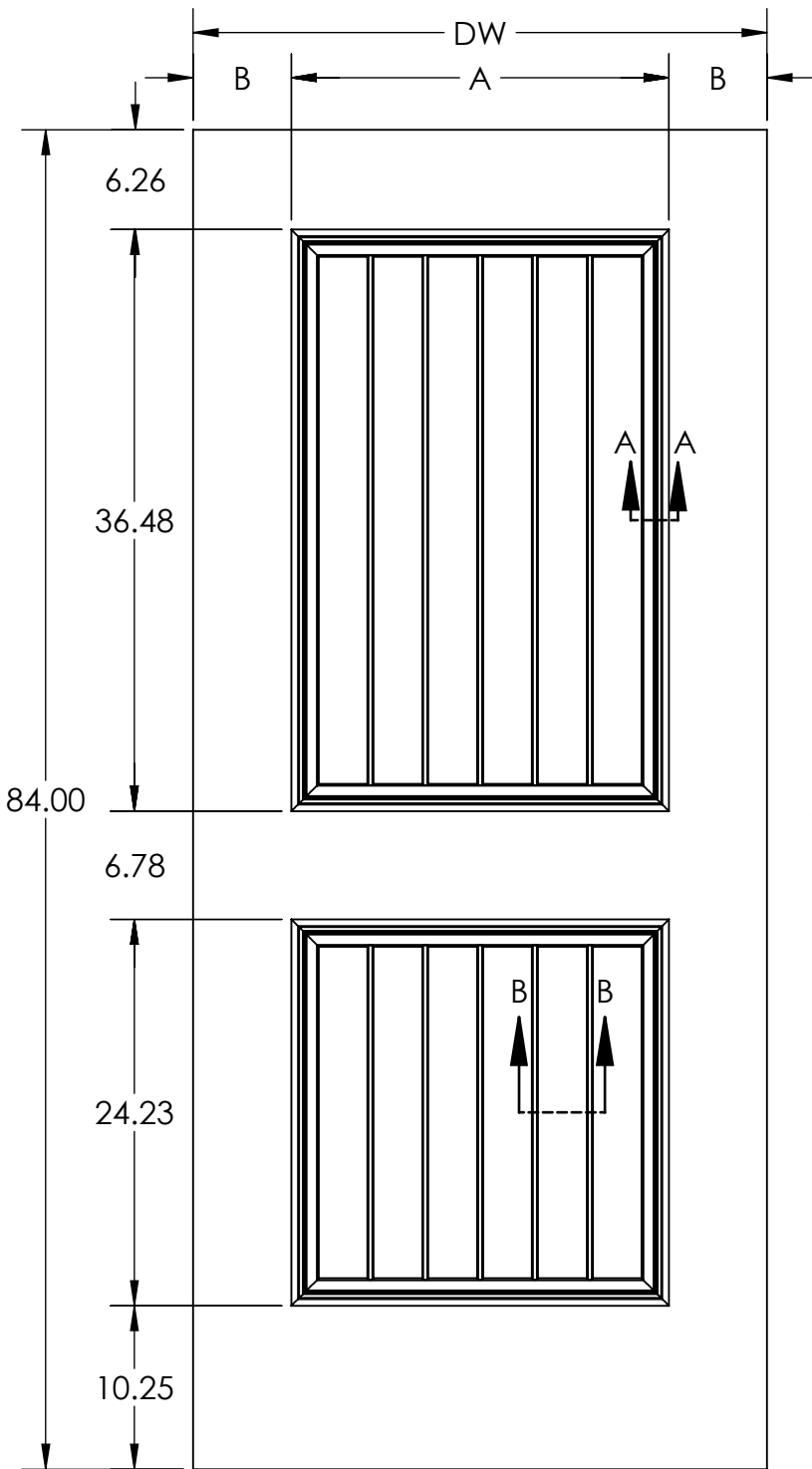
All dimensions nominal before prefit and bevel.

| DW | A | B | C | # of Planks |
|------|-------|------|------|-------------|
| 3-0 | 23.69 | 6.15 | 3.06 | 6 |
| 2-10 | 21.69 | 6.15 | 2.73 | 6 |
| 2-8 | 21.69 | 5.15 | 2.73 | 6 |
| 2-6 | 19.69 | 5.15 | 2.95 | 5 |
| 2-4 | 17.69 | 5.15 | 2.55 | 5 |
| 2-2 | 15.69 | 5.15 | 2.78 | 4 |
| 2-0 | 15.69 | 4.15 | 2.78 | 4 |
| 1-10 | 15.69 | 3.15 | 2.78 | 4 |
| 1-8 | 11.96 | 4.02 | 2.59 | 3 |
| 1-6 | 11.96 | 3.02 | 2.59 | 3 |

Bottom rail dimension does not comply with ADA requirements.

San Juan (Corvado)

Molded Profile Door

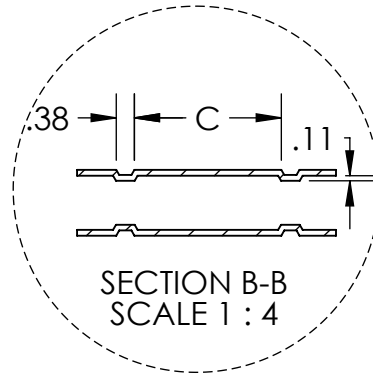
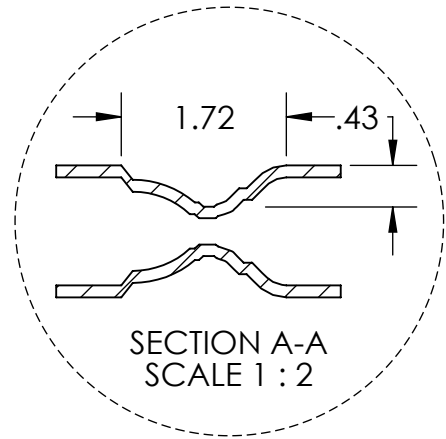
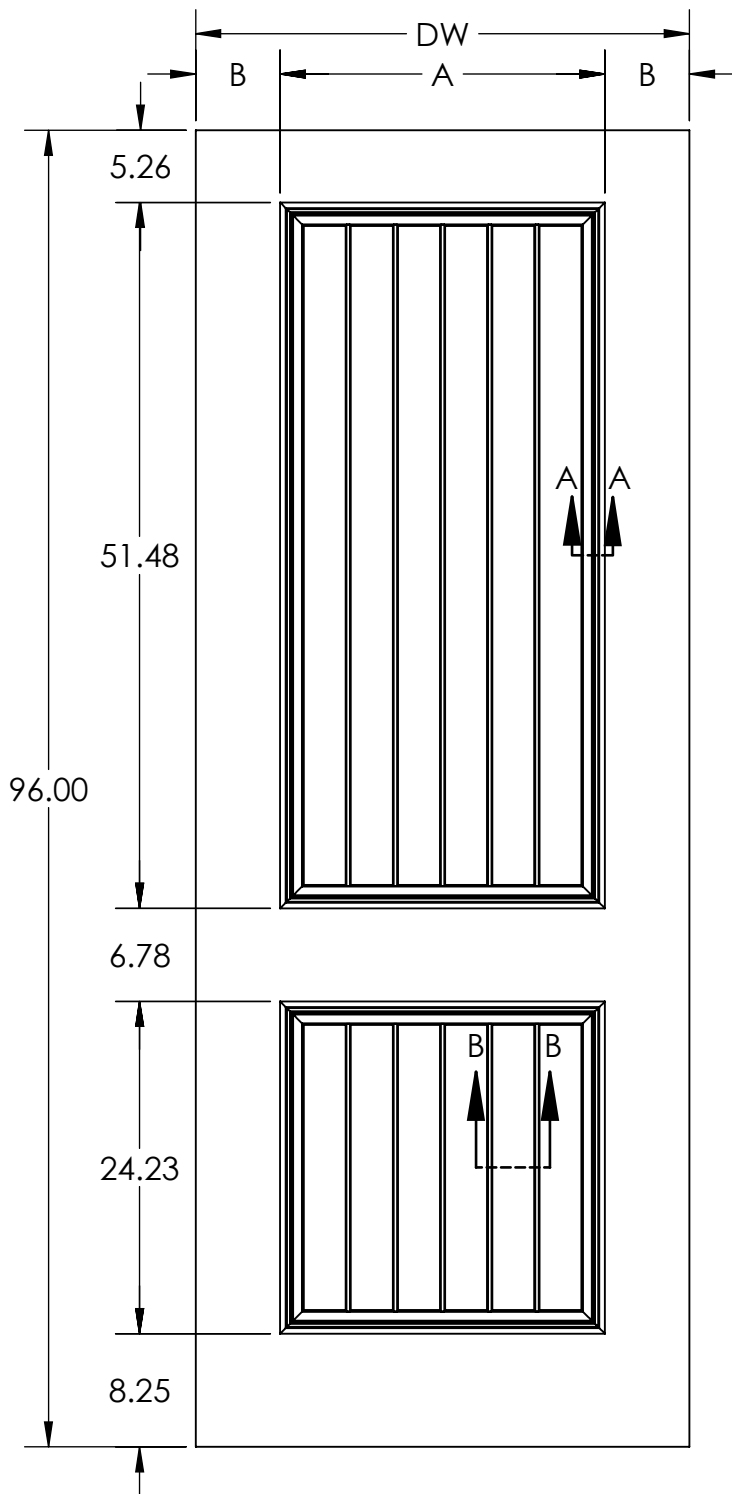


| San Juan 7'0" | | | | |
|---|-------|------|------|-------------|
| All dimensions nominal before prefit and bevel. | | | | |
| DW | A | B | C | # of Planks |
| 3-0 | 23.69 | 6.15 | 3.06 | 6 |
| 2-10 | 21.69 | 6.15 | 2.73 | 6 |
| 2-8 | 21.69 | 5.15 | 2.73 | 6 |
| 2-6 | 19.69 | 5.15 | 2.95 | 5 |
| 2-4 | 17.69 | 5.15 | 2.55 | 5 |
| 2-2 | 15.69 | 5.15 | 2.78 | 4 |
| 2-0 | 15.69 | 4.15 | 2.78 | 4 |
| 1-10 | 15.69 | 3.15 | 2.78 | 4 |
| 1-8 | 11.96 | 4.02 | 2.59 | 3 |
| 1-6 | 11.96 | 3.02 | 2.59 | 3 |

Bottom rail dimension complies with ADA requirements.

San Juan (Corvado)

Molded Profile Door



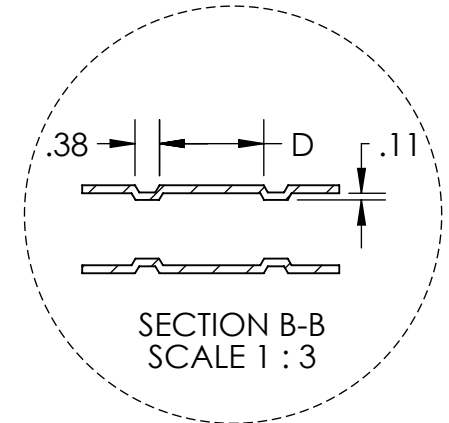
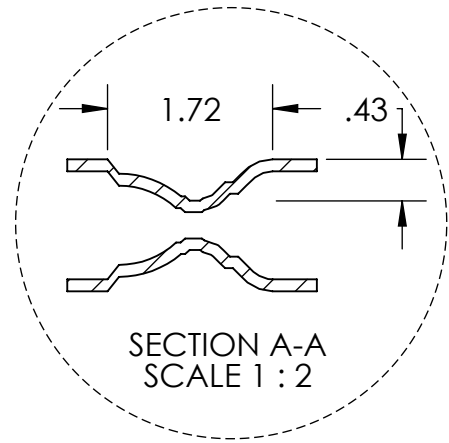
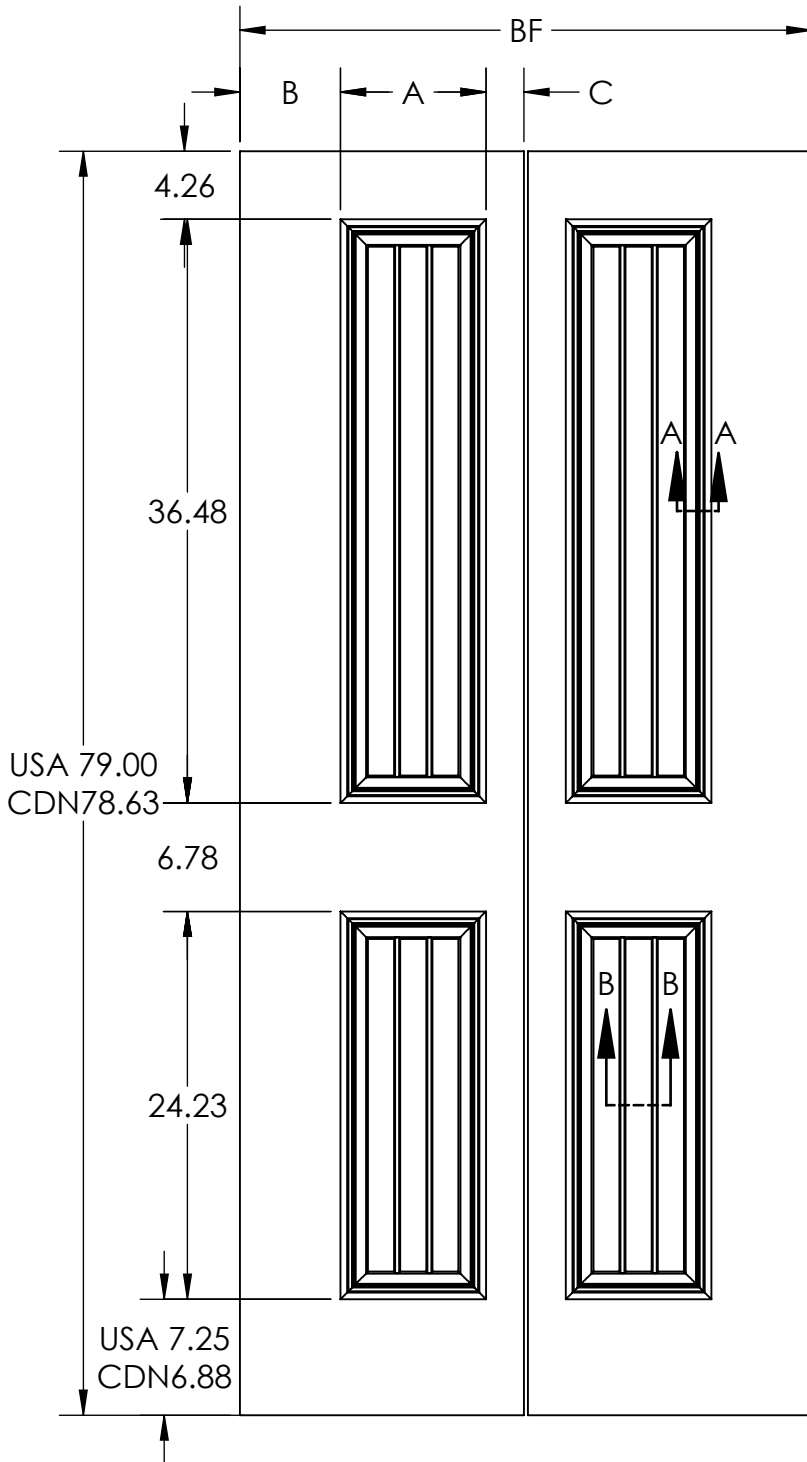
| San Juan 8'0" | | | | |
|---|-------|------|------|-------------|
| All dimensions nominal before prefit and bevel. | | | | |
| DW | A | B | C | # of Planks |
| 3-0 | 23.69 | 6.15 | 3.06 | 6 |
| 2-10* | 23.69 | 5.15 | 3.06 | 6 |
| 2-8 | 21.69 | 5.15 | 2.73 | 6 |
| 2-6 | 19.69 | 5.15 | 2.95 | 5 |
| 2-4 | 17.69 | 5.15 | 2.55 | 5 |
| 2-2* | 17.69 | 4.15 | 2.55 | 5 |
| 2-0 | 15.69 | 4.15 | 2.78 | 4 |
| 1-10 | 15.69 | 3.15 | 2.78 | 4 |
| 1-8 | 11.96 | 4.02 | 2.59 | 3 |
| 1-6 | 11.96 | 3.02 | 2.59 | 3 |

Bottom rail dimension does not comply with ADA requirements.

*Contact factory regarding availability of wider stile options.

San Juan (Corvado)

Molded Profile Door

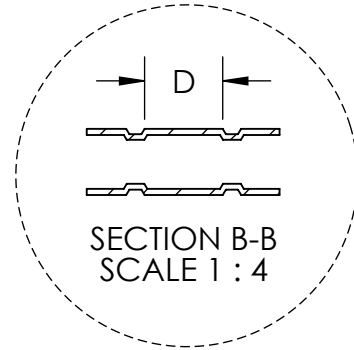
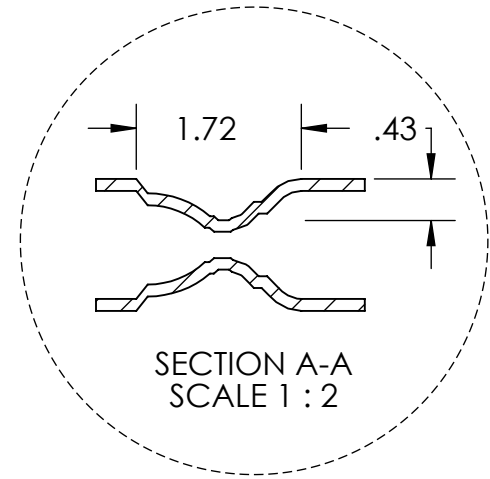
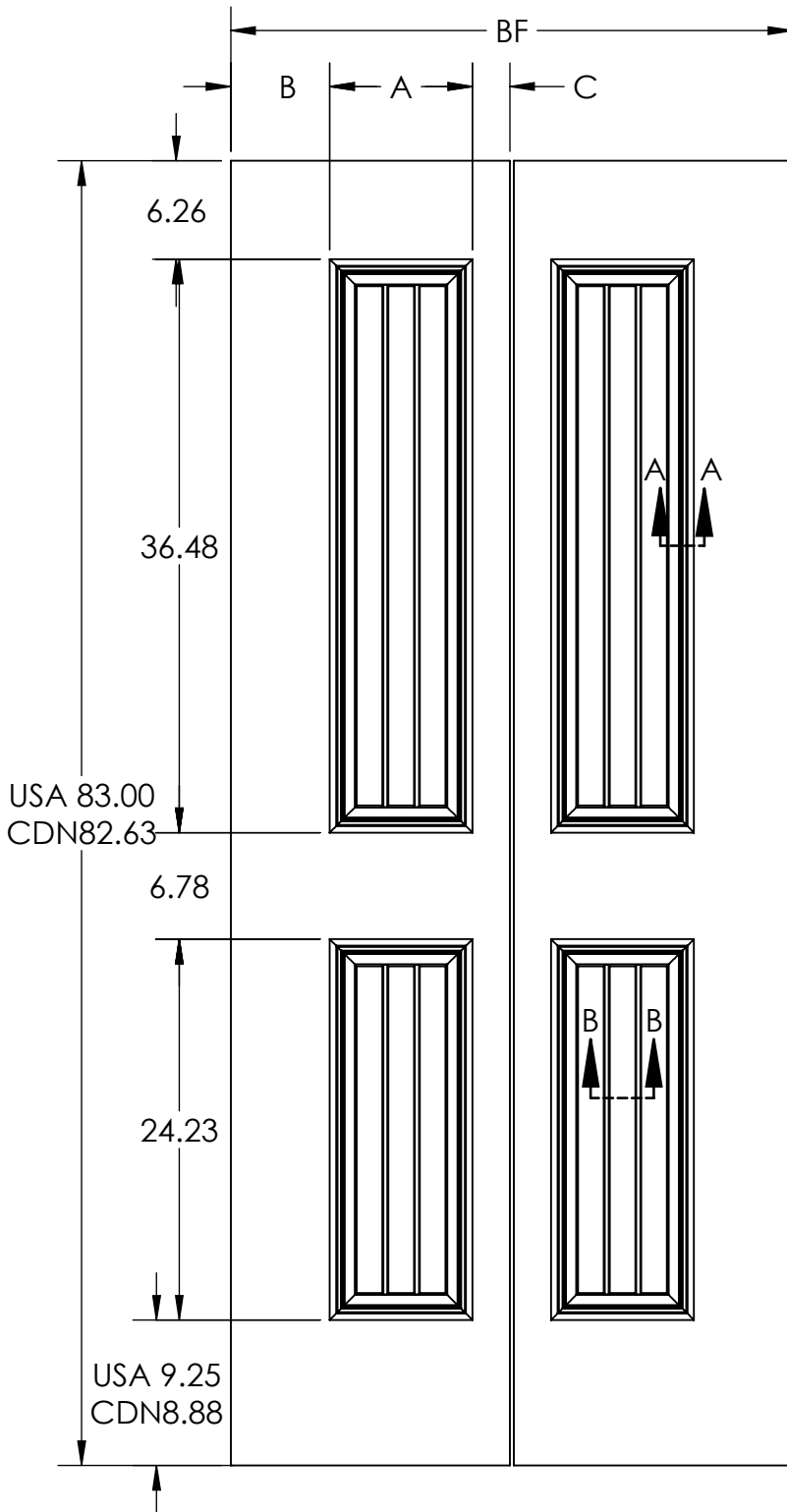


| San Juan Bifold 6'8" | | | | | |
|----------------------|------|------|------|------|-------------|
| BF | A | B | C | D | # of Planks |
| 3-0 | 9.09 | 6.29 | 2.37 | 1.63 | 3 |
| 2-8 | 9.09 | 4.29 | 2.37 | 1.63 | 3 |
| 2-6 | 9.09 | 3.29 | 2.37 | 1.63 | 3 |
| 2-4 | 9.09 | 2.29 | 2.37 | 1.63 | 3 |
| 2-0 | 6.79 | 3.18 | 1.78 | 1.49 | 2 |
| 1-8 | 6.79 | 1.78 | 1.18 | 1.49 | 2 |
| 1-6 | 6.79 | 1.03 | 0.93 | 1.49 | 2 |

Use of heavy duty hardware may require additional undercut. Lynden Door standard is 3/4"

San Juan (Corvado)

Molded Profile Bifold



| San Juan Bifold 7'0" | | | | | |
|----------------------|------|------|------|------|-------------|
| BF | A | B | C | D | # of Planks |
| 3-0* | 9.09 | 6.29 | 2.37 | 1.63 | 3 |
| 2-8* | 9.09 | 4.29 | 2.37 | 1.63 | 3 |
| 2-6* | 9.09 | 3.29 | 2.37 | 1.63 | 3 |
| 2-4* | 9.09 | 2.29 | 2.37 | 1.63 | 3 |
| 2-0* | 6.79 | 3.18 | 1.78 | 1.49 | 2 |
| 1-8* | 6.79 | 1.78 | 1.18 | 1.49 | 2 |
| 1-6* | 6.79 | 1.03 | 0.93 | 1.49 | 2 |

Use of heavy duty hardware may require additional undercut. Lynden Door standard is 3/4"

*** Non-Stock, Contact factory for pricing and availability.**

San Juan (Corvado)

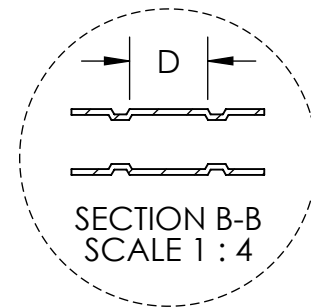
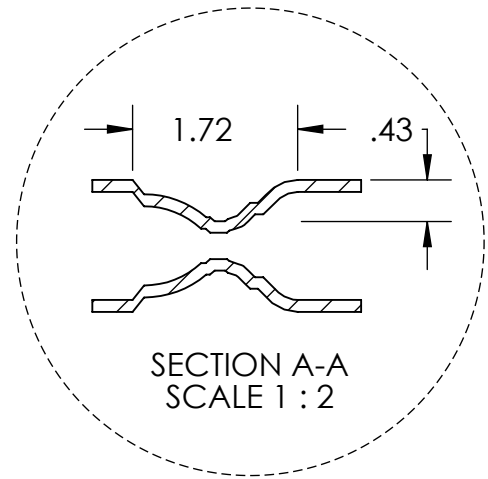
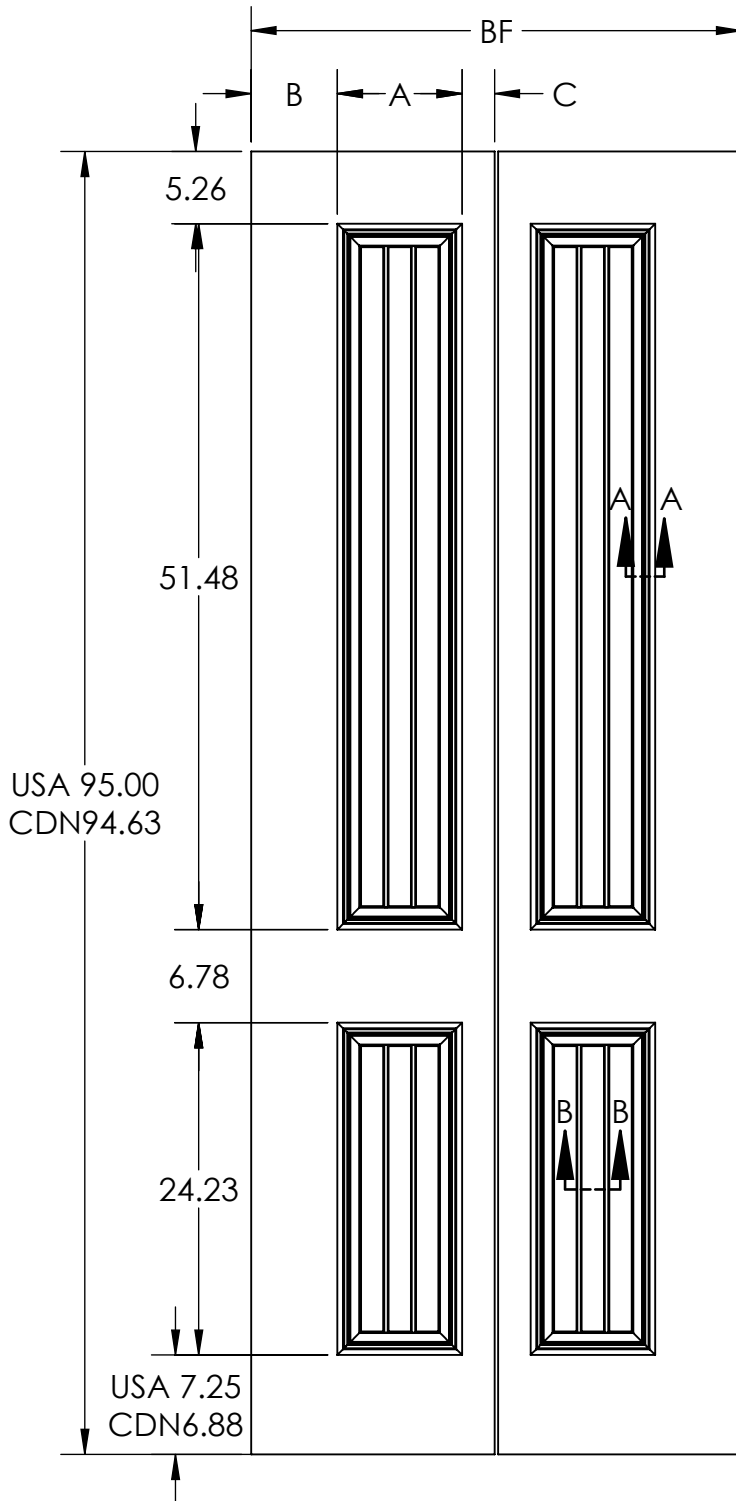
Molded Profile Bifold



DIMENSIONS ARE IN: Inches
 DOOR TOLERANCES
 WIDTH (FULL WIDTH): ±1/16
 WIDTH (PREFIT): ±1/32
 HEIGHT: ±1/16
 SQUARE: ±1/8

THE INFORMATION CONTAINED IN THIS DRAWING IS THE SOLE PROPERTY OF Lynden Door, Inc. ANY REPRODUCTION IN PART OR AS A WHOLE WITHOUT THE WRITTEN PERMISSION OF Lynden Door, Inc. IS PROHIBITED.

A04-00047 01/15/19



| San Juan Bifold 8'0" | | | | | |
|----------------------|------|------|------|------|-------------|
| BF | A | B | C | D | # of Planks |
| 3-0* | 9.09 | 6.29 | 2.37 | 1.63 | 3 |
| 2-8* | 9.09 | 4.29 | 2.37 | 1.63 | 3 |
| 2-6* | 9.09 | 3.29 | 2.37 | 1.63 | 3 |
| 2-4* | 9.09 | 2.29 | 2.37 | 1.63 | 3 |
| 2-0* | 6.79 | 3.18 | 1.78 | 1.49 | 2 |
| 1-8* | 6.79 | 1.78 | 1.18 | 1.49 | 2 |
| 1-6* | 6.79 | 1.03 | 0.93 | 1.49 | 2 |

Use of heavy duty hardware may require additional undercut. Lynden Door standard is 3/4"

*** Non-Stock, Contact factory for pricing and availability.**

San Juan (Corvado)

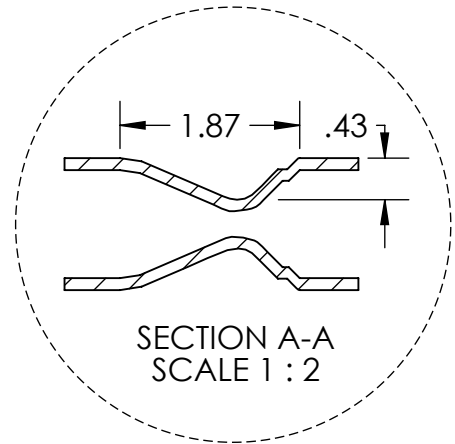
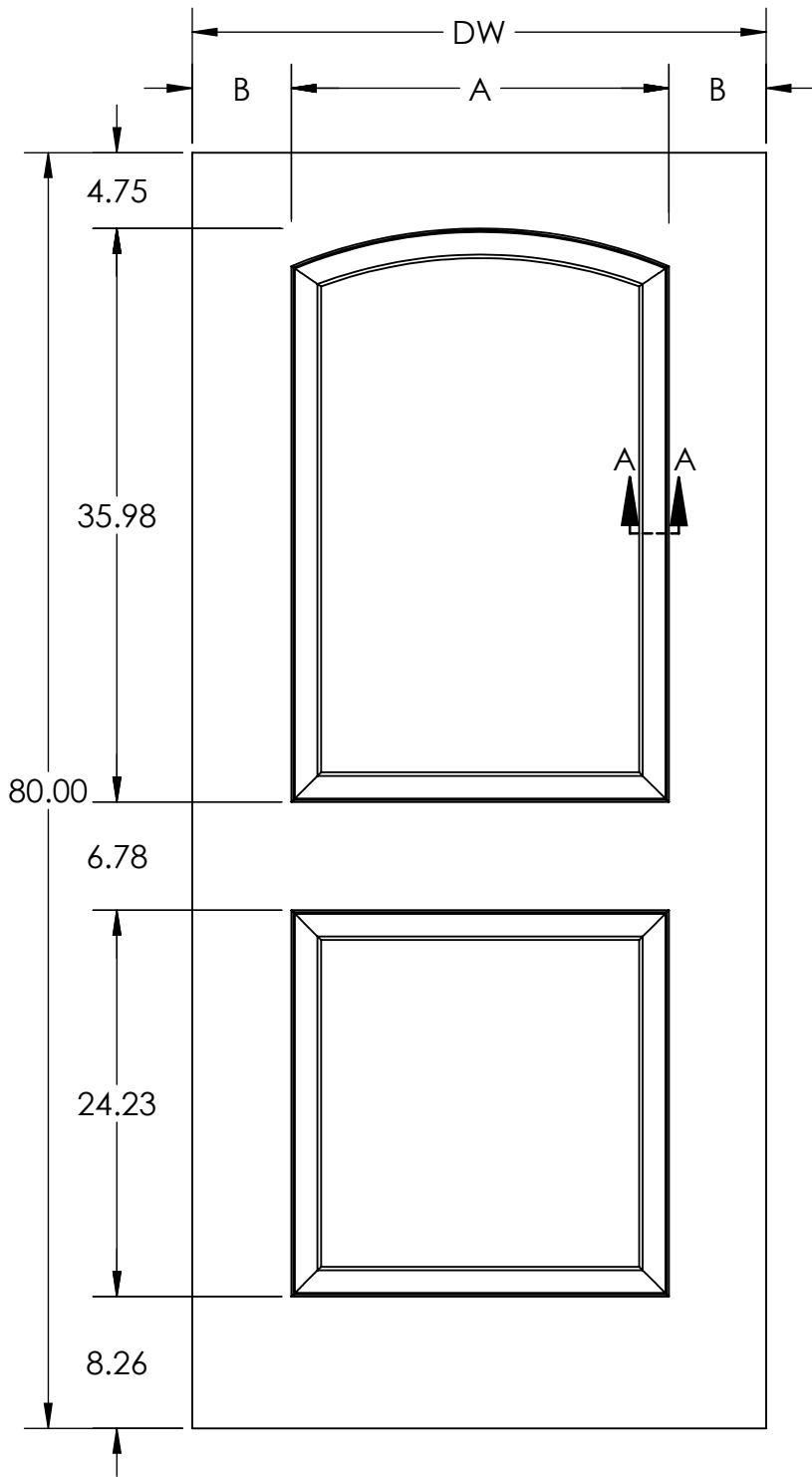
Molded Profile Bifold



DIMENSIONS ARE IN: Inches
DOOR TOLERANCES
WIDTH (FULL WIDTH): ±1/16
WIDTH (PREFIT): ±1/32
HEIGHT: ±1/16
SQUARE: ±1/8

THE INFORMATION CONTAINED IN THIS DRAWING IS THE SOLE PROPERTY OF Lynden Door, Inc. ANY REPRODUCTION IN PART OR AS A WHOLE WITHOUT THE WRITTEN PERMISSION OF Lynden Door, Inc. IS PROHIBITED.

A04-00047 01/15/19



| Rosario 6'8" | | |
|--|-------|------|
| All dimensions nominal before prefit and bevel. | | |
| DW | A | B |
| 3-0 | 23.69 | 6.15 |
| 2-10 | 21.69 | 6.15 |
| 2-8 | 21.69 | 5.15 |
| 2-6 | 19.69 | 5.15 |
| 2-4 | 17.69 | 5.15 |
| 2-2 | 15.69 | 5.15 |
| 2-0 | 15.69 | 4.15 |
| 1-10 | 15.69 | 3.15 |
| 1-8 | 11.96 | 4.02 |
| 1-6 | 11.96 | 3.02 |
| 1-4 | 7.08 | 4.46 |
| Bottom rail dimension does not comply with ADA requirements. | | |

Rosario (Caiman)

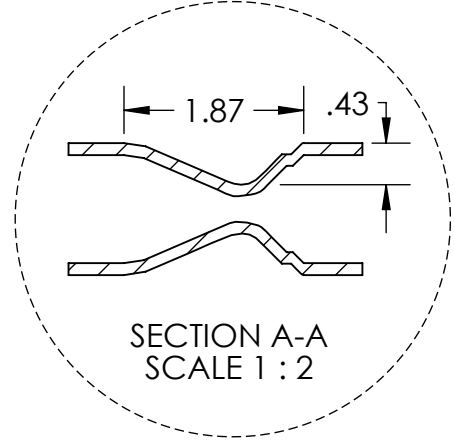
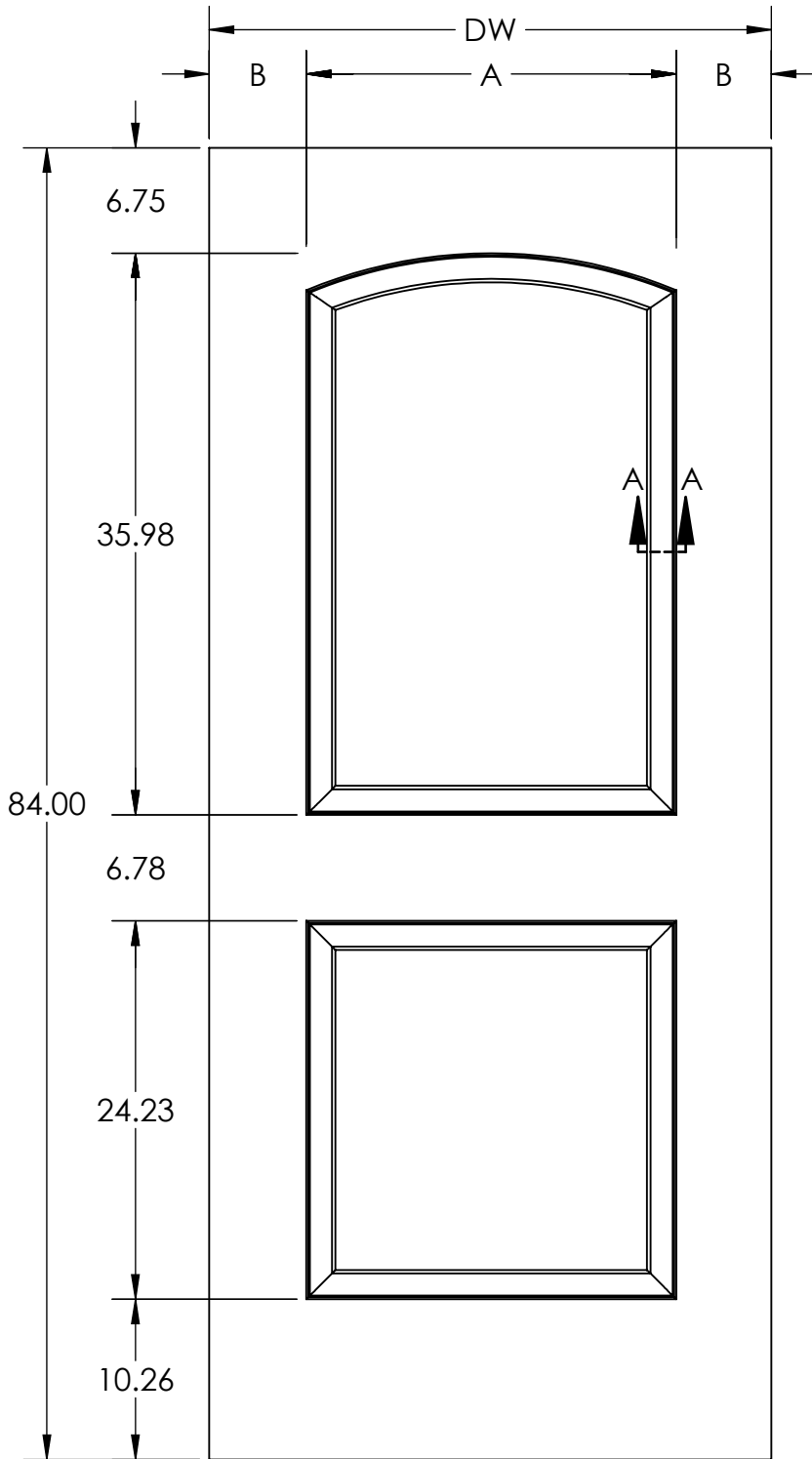
Molded Profile Door



DIMENSIONS ARE IN: inches
 DOOR TOLERANCES
 WIDTH (FULL WIDTH): ±1/16
 WIDTH (PREFIT): ±1/32
 HEIGHT: ±1/16
 SQUARE: ±1/8

THE INFORMATION CONTAINED IN THIS DRAWING IS THE SOLE PROPERTY OF Lynden Door, Inc. ANY REPRODUCTION IN PART OR AS A WHOLE WITHOUT THE WRITTEN PERMISSION OF Lynden Door, Inc. IS PROHIBITED.

A04-00042 01/15/19



| Rosario 7'0" | | |
|--|-------|------|
| All dimensions nominal before prefit and bevel. | | |
| DW | A | B |
| 3-0 | 23.69 | 6.15 |
| 2-10 | 21.69 | 6.15 |
| 2-8 | 21.69 | 5.15 |
| 2-6 | 19.69 | 5.15 |
| 2-4 | 17.69 | 5.15 |
| 2-2* | 17.69 | 4.15 |
| 2-0 | 15.69 | 4.15 |
| 1-10 | 15.69 | 3.15 |
| 1-8 | 11.96 | 4.02 |
| 1-6 | 11.96 | 3.02 |
| 1-4** | 7.08 | 4.46 |
| Bottom rail dimension complies with ADA requirements. | | |
| * Contact factory regarding availability of wider stile options. | | |
| ** Non-Stock, Contact factory for pricing and availability. | | |

Rosario (Caiman)

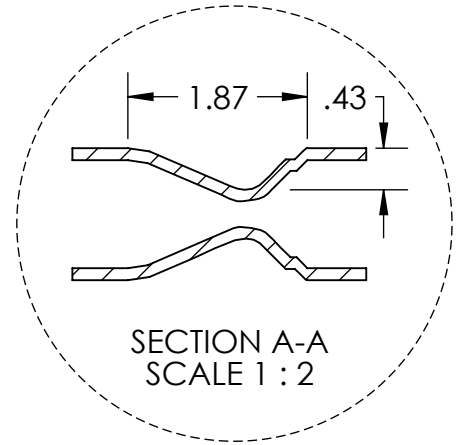
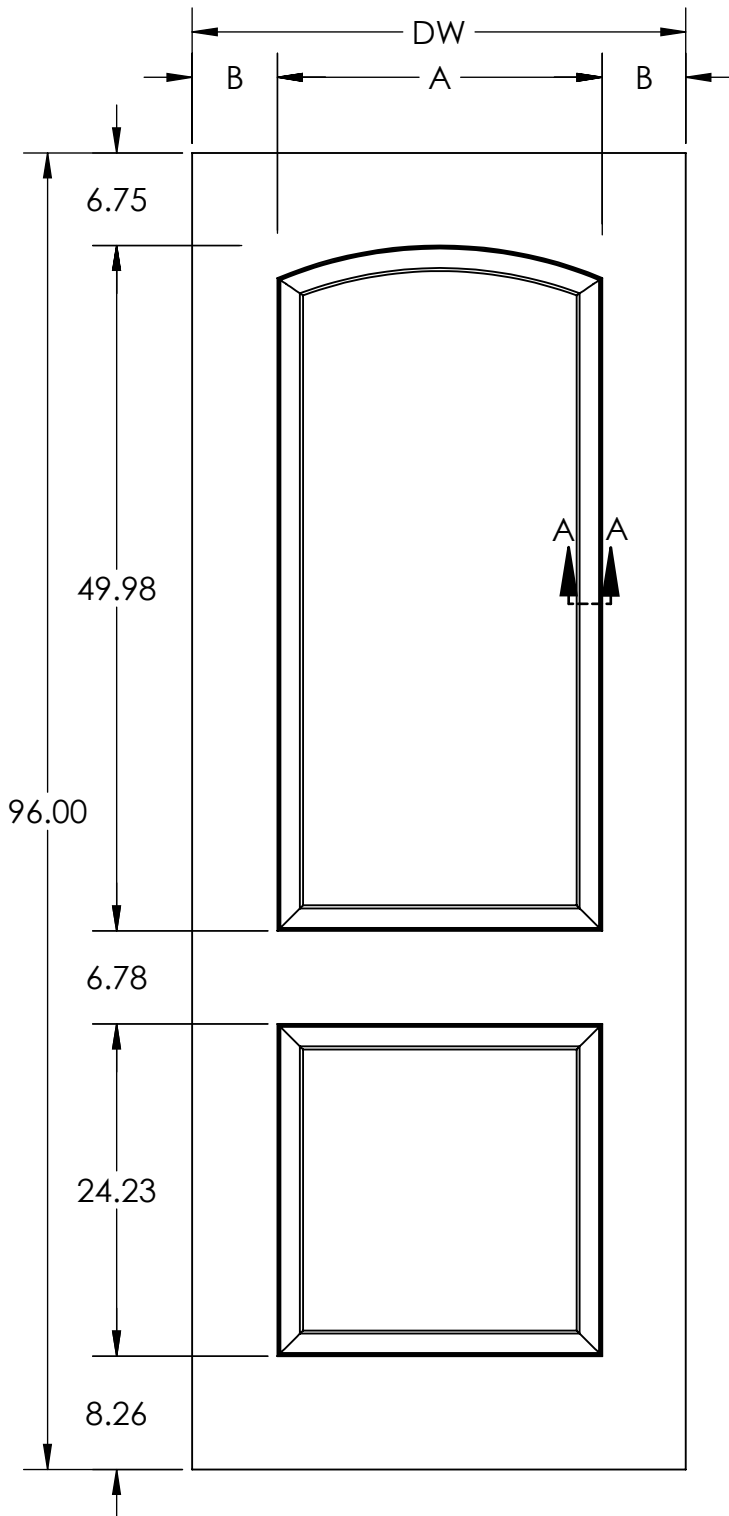
Molded Profile Door



DIMENSIONS ARE IN: Inches
 DOOR TOLERANCES
 WIDTH (FULL WIDTH): ±1/16
 WIDTH (PREFIT): ±1/32
 HEIGHT: ±1/16
 SQUARE: ±1/8

THE INFORMATION CONTAINED IN THIS DRAWING IS THE SOLE PROPERTY OF Lynden Door, Inc. ANY REPRODUCTION IN PART OR AS A WHOLE WITHOUT THE WRITTEN PERMISSION OF Lynden Door, Inc. IS PROHIBITED.

A04-00042 01/15/19



| Rosario 8'0" | | |
|--|-------|------|
| All dimensions nominal before prefit and bevel. | | |
| DW | A | B |
| 3-0 | 23.69 | 6.15 |
| 2-10 | 21.69 | 6.15 |
| 2-8 | 21.69 | 5.15 |
| 2-6 | 19.69 | 5.15 |
| 2-4 | 17.69 | 5.15 |
| 2-2 | 17.69 | 4.15 |
| 2-0 | 15.69 | 4.15 |
| 1-10 | 15.69 | 3.15 |
| 1-8 | 11.96 | 4.02 |
| 1-6 | 11.96 | 3.02 |
| Bottom rail dimension does not comply with ADA requirements. | | |

Rosario (Caiman)

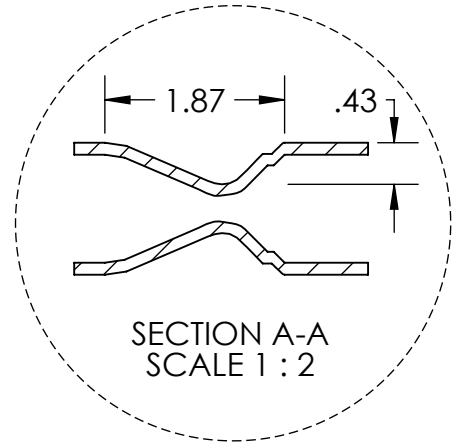
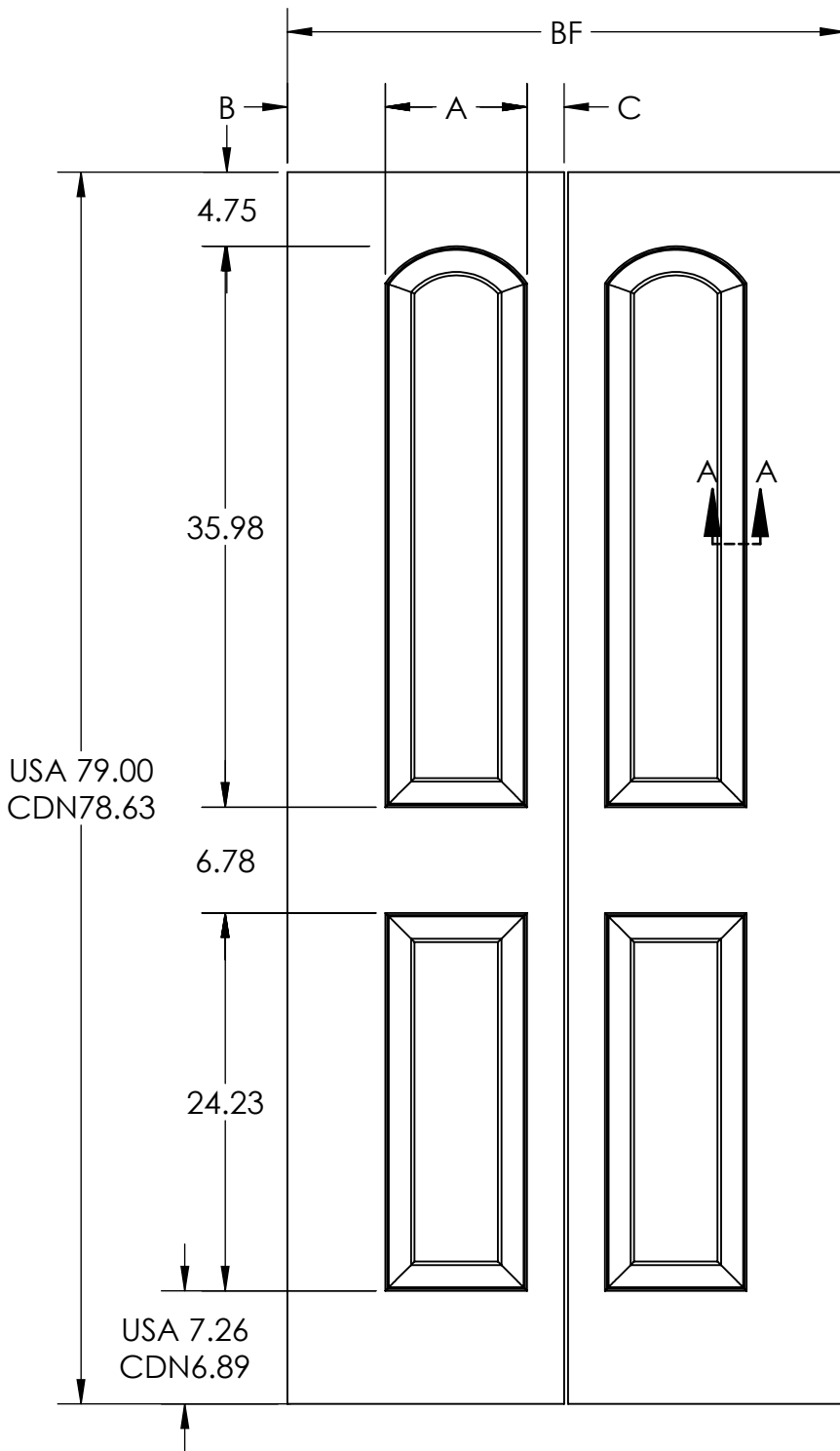
Molded Profile Door



DIMENSIONS ARE IN: inches
 DOOR TOLERANCES
 WIDTH (FULL WIDTH): ±1/16
 WIDTH (PREFIT): ±1/32
 HEIGHT: ±1/16
 SQUARE: ±1/8

THE INFORMATION CONTAINED IN THIS DRAWING IS THE SOLE PROPERTY OF Lynden Door, Inc. ANY REPRODUCTION IN PART OR AS A WHOLE WITHOUT THE WRITTEN PERMISSION OF Lynden Door, Inc. IS PROHIBITED.

A04-00042 01/15/19



| Rosario Bifold 6'8" | | | |
|---------------------|------|------|------|
| BF | A | B | C |
| 3-0 | 9.09 | 6.29 | 2.37 |
| 2-8 | 9.09 | 4.29 | 2.37 |
| 2-6 | 9.09 | 3.29 | 2.37 |
| 2-4 | 9.09 | 2.29 | 2.37 |
| 2-0 | 6.79 | 3.18 | 1.78 |
| 1-8 | 6.79 | 1.78 | 1.18 |
| 1-6 | 6.79 | 1.03 | 0.93 |

Use of heavy duty hardware may require additional undercut. Lynden Door standard is 3/4"

Rosario (Caiman)

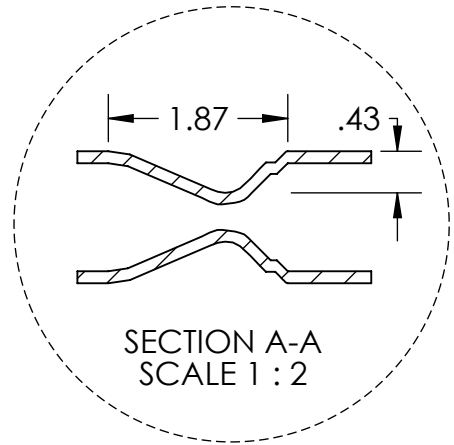
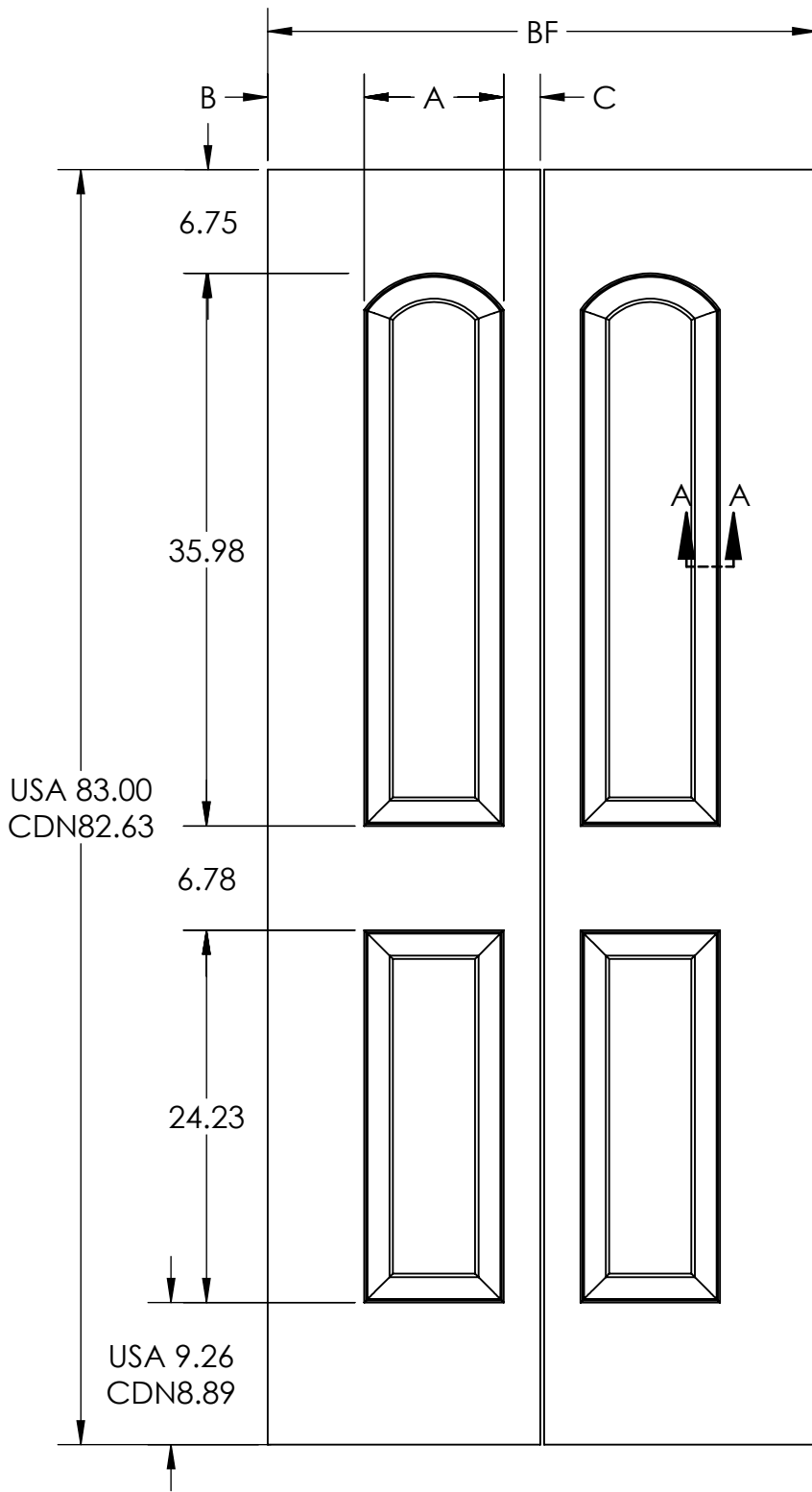
Molded Profile Bifold



DIMENSIONS ARE IN: inches
 DOOR TOLERANCES
 WIDTH (FULL WIDTH): ±1/16
 WIDTH (PREFIT): ±1/32
 HEIGHT: ±1/16
 SQUARE: ±1/8

THE INFORMATION CONTAINED IN THIS DRAWING IS THE SOLE PROPERTY OF Lynden Door, Inc. ANY REPRODUCTION IN PART OR AS A WHOLE WITHOUT THE WRITTEN PERMISSION OF Lynden Door, Inc. IS PROHIBITED.

A04-00042 01/15/19



| Rosario Bifold 7'0" | | | |
|---------------------|------|------|------|
| BF | A | B | C |
| 3-0* | 9.09 | 6.29 | 2.37 |
| 2-8* | 9.09 | 4.29 | 2.37 |
| 2-6* | 9.09 | 3.29 | 2.37 |
| 2-4* | 9.09 | 2.29 | 2.37 |
| 2-0* | 6.79 | 3.18 | 1.78 |
| 1-8* | 6.79 | 1.78 | 1.18 |
| 1-6* | 6.79 | 1.03 | 0.93 |

Use of heavy duty hardware may require additional undercut. Lynden Door standard is 3/4"

*** Non-Stock, Contact factory for pricing and availability.**

Rosario (Caiman)

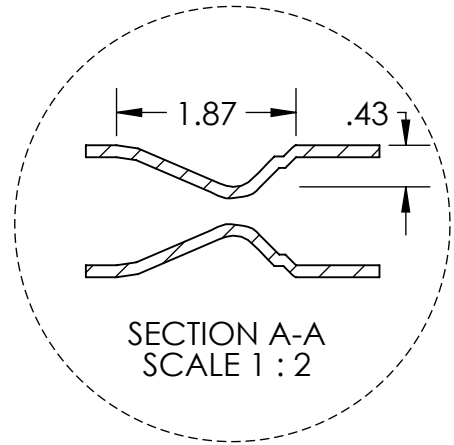
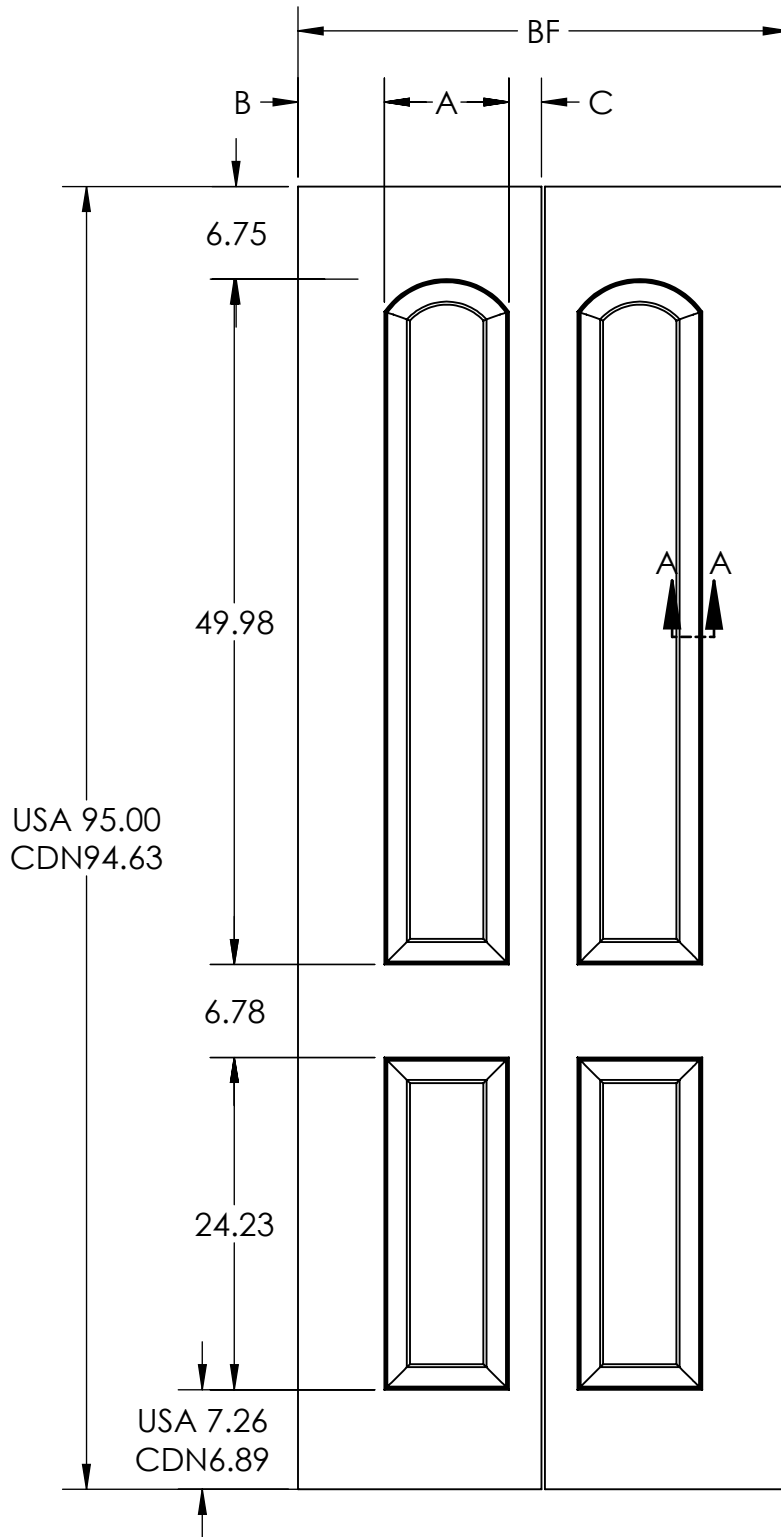
Molded Profile Bifold



DIMENSIONS ARE IN: Inches
 DOOR TOLERANCES
 WIDTH (FULL WIDTH): ±1/16
 WIDTH (PREFIT): ±1/32
 HEIGHT: ±1/16
 SQUARE: ±1/8

THE INFORMATION CONTAINED IN THIS DRAWING IS THE SOLE PROPERTY OF Lynden Door, Inc. ANY REPRODUCTION IN PART OR AS A WHOLE WITHOUT THE WRITTEN PERMISSION OF Lynden Door, Inc. IS PROHIBITED.

A04-00042 01/15/19



| Rosario Bifold 8'0" | | | |
|--|------|------|------|
| BF | A | B | C |
| 3-0* | 9.09 | 6.29 | 2.37 |
| 2-8* | 9.09 | 4.29 | 2.37 |
| 2-6* | 9.09 | 3.29 | 2.37 |
| 2-4* | 9.09 | 2.29 | 2.37 |
| 2-0* | 6.79 | 3.18 | 1.78 |
| 1-8* | 6.79 | 1.78 | 1.18 |
| 1-6* | 6.79 | 1.03 | 0.93 |
| Use of heavy duty hardware may require additional undercut. Lynden Door standard is 3/4" | | | |
| * Non-Stock, Contact factory for pricing and availability. | | | |

Rosario (Caiman)

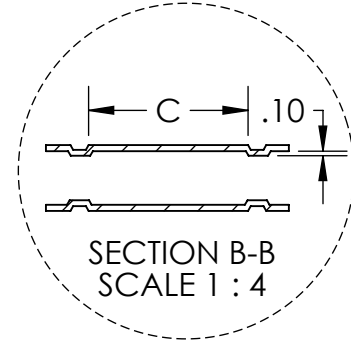
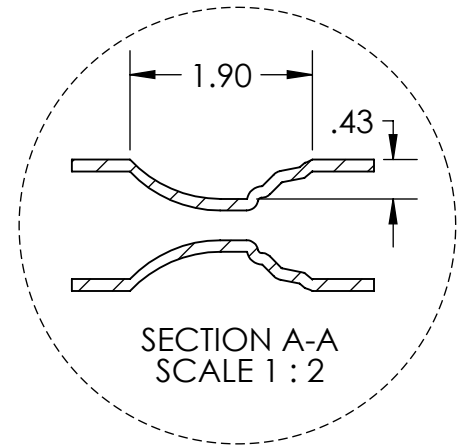
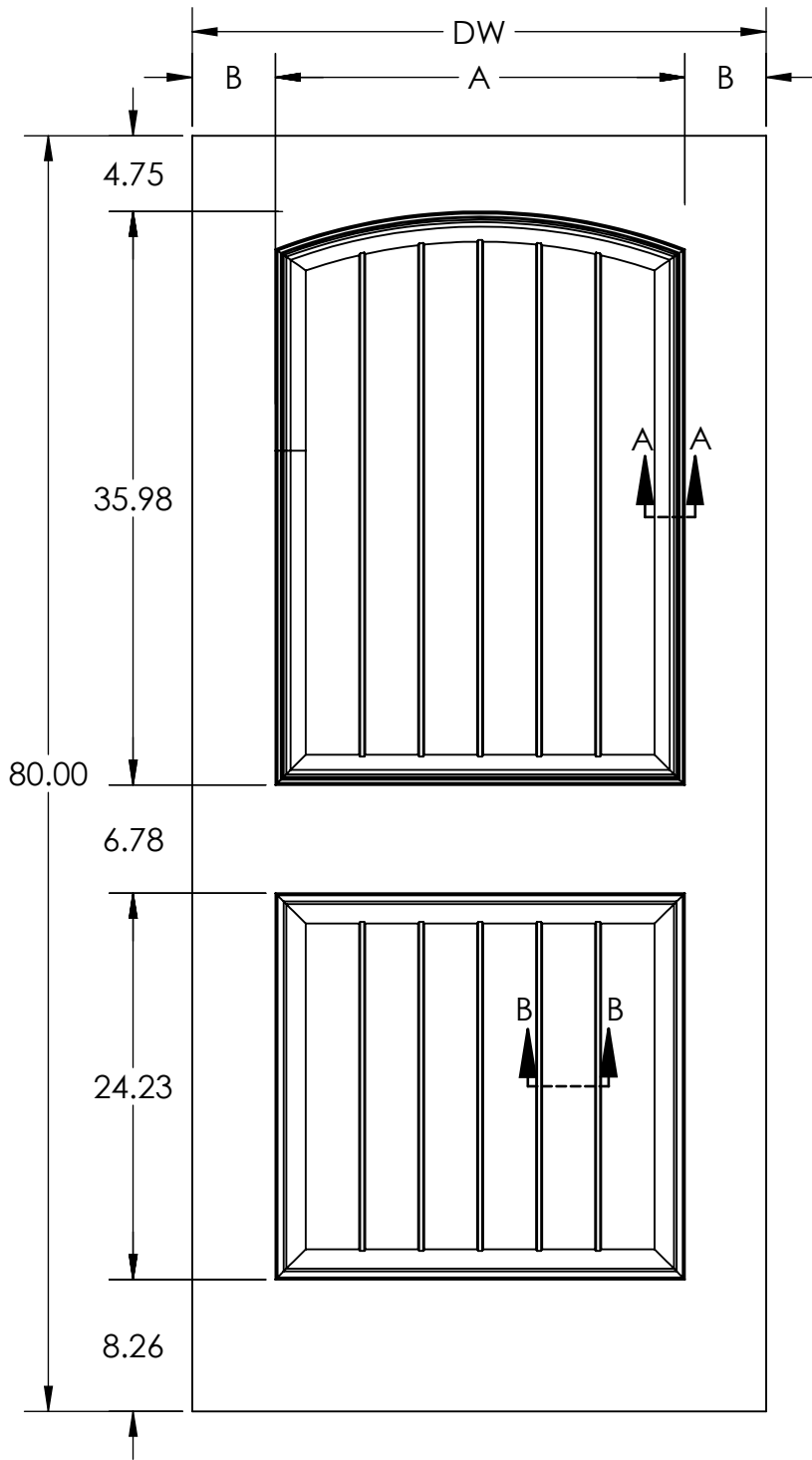
Molded Profile Bifold



DIMENSIONS ARE IN: Inches
DOOR TOLERANCES
WIDTH (FULL WIDTH): ±1/16
WIDTH (PREFIT): ±1/32
HEIGHT: ±1/16
SQUARE: ±1/8

THE INFORMATION CONTAINED IN THIS DRAWING IS THE SOLE PROPERTY OF Lynden Door, Inc. ANY REPRODUCTION IN PART OR AS A WHOLE WITHOUT THE WRITTEN PERMISSION OF Lynden Door, Inc. IS PROHIBITED.

A04-00042 01/15/19



| Chelan 6'8" | | | | |
|---|-------|------|------|-------------|
| All dimensions nominal before prefit and bevel. | | | | |
| DW | A | B | C | # of Planks |
| 3-0 | 25.69 | 6.15 | 3.32 | 6 |
| 2-10 | 23.69 | 6.15 | 2.99 | 6 |
| 2-8 | 23.69 | 5.15 | 2.99 | 6 |
| 2-6 | 21.69 | 5.15 | 3.26 | 5 |
| 2-4 | 19.69 | 5.15 | 2.86 | 5 |
| 2-2 | 15.69 | 5.15 | 2.68 | 4 |
| 2-0 | 15.69 | 4.15 | 2.68 | 4 |
| 1-10 | 15.69 | 3.15 | 2.68 | 4 |
| 1-8 | 11.96 | 4.02 | 2.46 | 3 |
| 1-6 | 11.96 | 3.02 | 2.46 | 3 |

Bottom rail dimension does not comply with ADA requirements.

Chelan (Cashal)

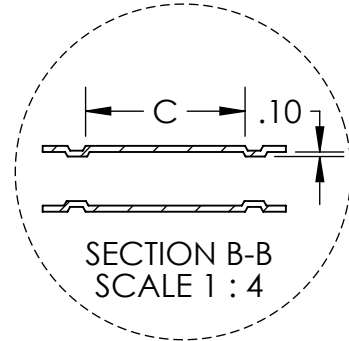
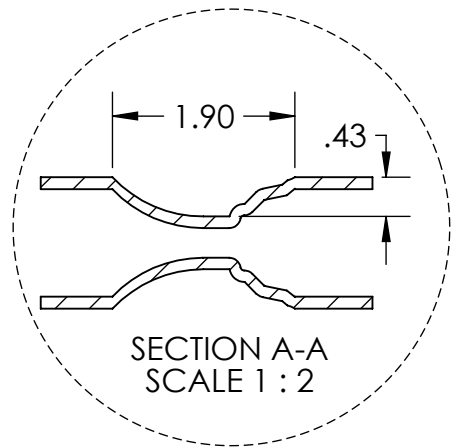
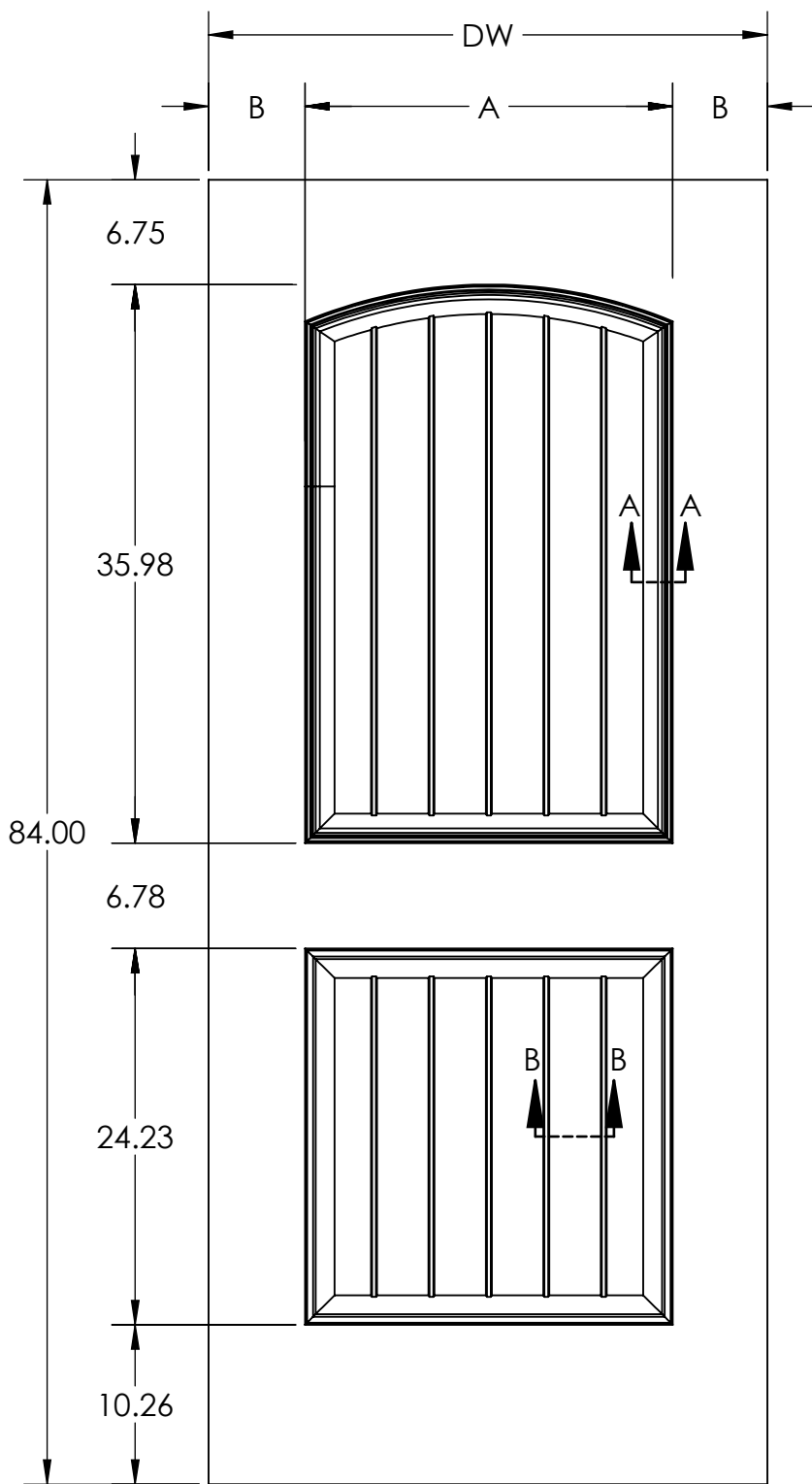
Molded Profile Door



DIMENSIONS ARE IN: Inches
 DOOR TOLERANCES
 WIDTH (FULL WIDTH): ±1/16
 WIDTH (PREFIT): ±1/32
 HEIGHT: ±1/16
 SQUARE: ±1/8

THE INFORMATION CONTAINED IN THIS DRAWING IS THE SOLE PROPERTY OF Lynden Door, Inc. ANY REPRODUCTION IN PART OR AS A WHOLE WITHOUT THE WRITTEN PERMISSION OF Lynden Door, Inc. IS PROHIBITED.

A04-00048 01/10/19



Chelan 7'0"

All dimensions nominal before prefit and bevel.

| DW | A | B | C | # of Planks |
|------|-------|------|------|-------------|
| 3-0 | 25.69 | 6.15 | 3.32 | 6 |
| 2-10 | 23.69 | 6.15 | 2.99 | 6 |
| 2-8 | 23.69 | 5.15 | 2.99 | 6 |
| 2-6 | 21.69 | 5.15 | 3.26 | 5 |
| 2-4 | 19.69 | 5.15 | 2.86 | 5 |
| 2-2 | 15.69 | 5.15 | 2.68 | 4 |
| 2-0 | 15.69 | 4.15 | 2.68 | 4 |
| 1-10 | 15.69 | 3.15 | 2.68 | 4 |
| 1-8 | 11.96 | 4.02 | 2.46 | 3 |
| 1-6 | 11.96 | 3.02 | 2.46 | 3 |

Bottom rail dimension complies with ADA requirements.

Chelan (Cashal)

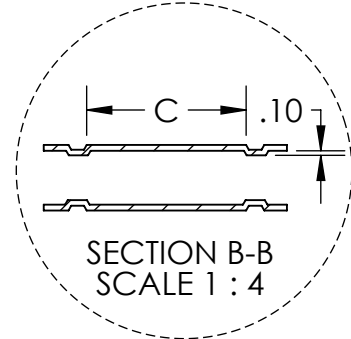
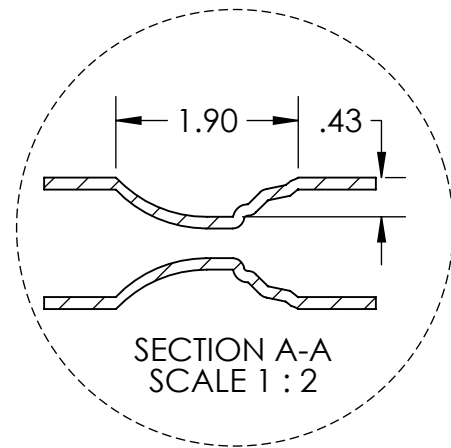
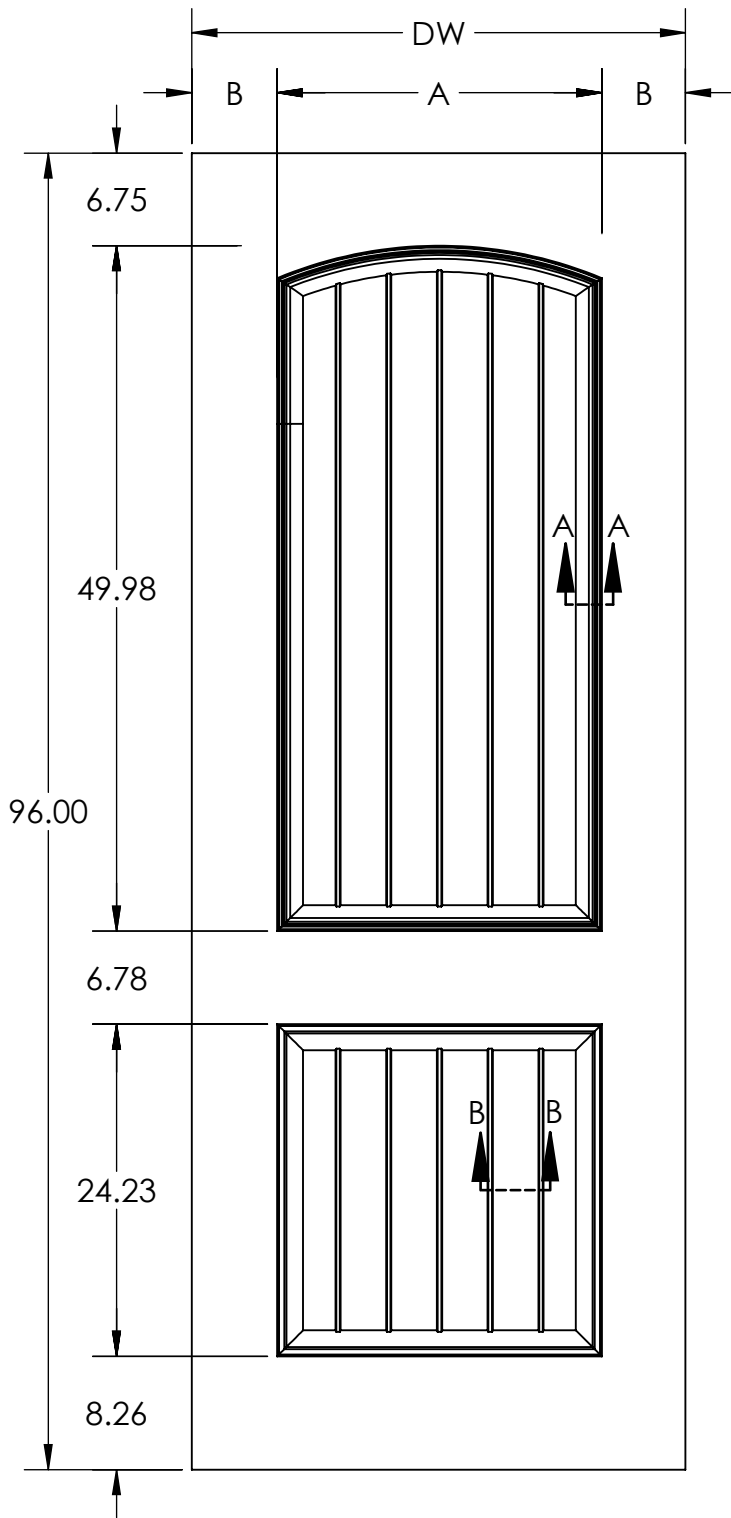
Molded Profile Door



DIMENSIONS ARE IN: inches
DOOR TOLERANCES
WIDTH (FULL WIDTH): ±1/16
WIDTH (PREFIT): ±1/32
HEIGHT: ±1/16
SQUARE: ±1/8

THE INFORMATION CONTAINED IN THIS DRAWING IS THE SOLE PROPERTY OF Lynden Door, Inc. ANY REPRODUCTION IN PART OR AS A WHOLE WITHOUT THE WRITTEN PERMISSION OF Lynden Door, Inc. IS PROHIBITED.

A04-00048.01/10/19



| Chelan 8'0" | | | | |
|---|-------|------|------|-------------|
| All dimensions nominal before prefit and bevel. | | | | |
| DW | A | B | C | # of Planks |
| 3-0 | 25.69 | 5.15 | 3.32 | 6 |
| 2-10* | 25.69 | 4.15 | 2.99 | 6 |
| 2-8 | 23.69 | 4.15 | 2.99 | 6 |
| 2-6 | 21.69 | 4.15 | 3.26 | 5 |
| 2-4 | 19.69 | 4.15 | 2.86 | 5 |
| 2-2* | 19.69 | 3.15 | 2.68 | 4 |
| 2-0 | 15.69 | 4.15 | 2.68 | 4 |
| 1-10 | 15.69 | 3.15 | 2.68 | 4 |
| 1-8 | 11.96 | 4.02 | 2.46 | 3 |
| 1-6 | 11.96 | 3.02 | 2.46 | 3 |
| Bottom rail dimension does not comply with ADA requirements. | | | | |
| *Contact factory regarding availability of wider stile options. | | | | |

Chelan (Cashal)

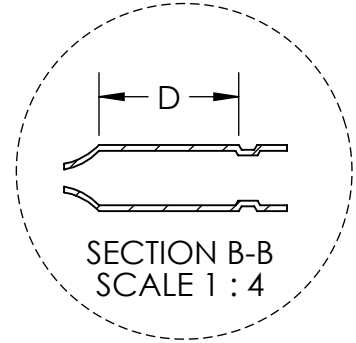
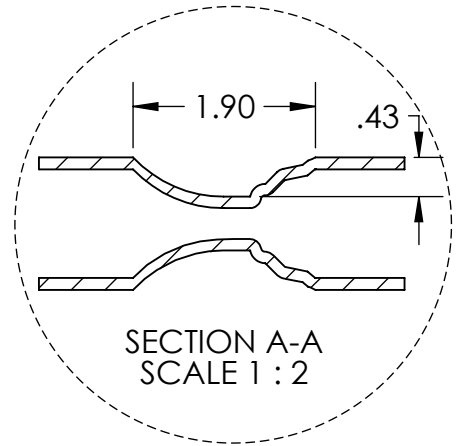
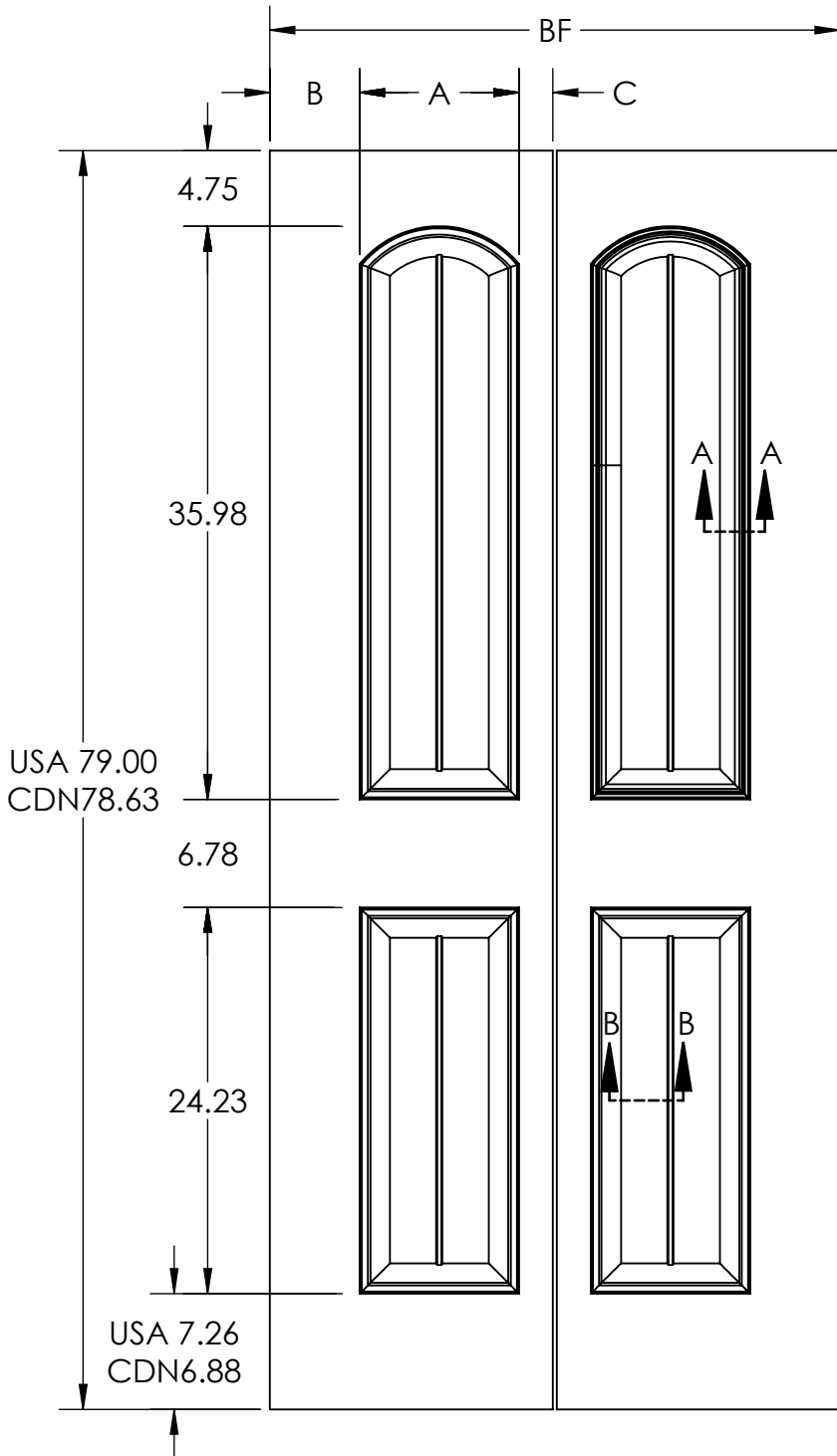
Molded Profile Door



DIMENSIONS ARE IN: inches
DOOR TOLERANCES
WIDTH (FULL WIDTH): ±1/16
WIDTH (PREFIT): ±1/32
HEIGHT: ±1/16
SQUARE: ±1/8

THE INFORMATION CONTAINED IN THIS DRAWING IS THE SOLE PROPERTY OF Lynden Door, Inc. ANY REPRODUCTION IN PART OR AS A WHOLE WITHOUT THE WRITTEN PERMISSION OF Lynden Door, Inc. IS PROHIBITED.

A04-00048.01/10/19



| Chelan Bifold 6'8" | | | | |
|--------------------|-------|------|------|------|
| BF | A | B | C | D |
| 3-0 | 10.00 | 5.63 | 2.12 | 2.90 |
| 2-8 | 10.00 | 3.63 | 2.12 | 2.90 |
| 2-6 | 10.00 | 2.63 | 2.12 | 2.90 |
| 2-4 | 10.00 | 2.12 | 1.63 | 2.90 |
| 2-0 | 8.20 | 2.17 | 1.38 | 2.01 |

Use of heavy duty hardware may require additional undercut. Lynden Door standard is 3/4"

Chelan (Cashal)

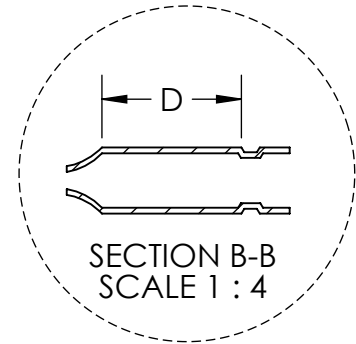
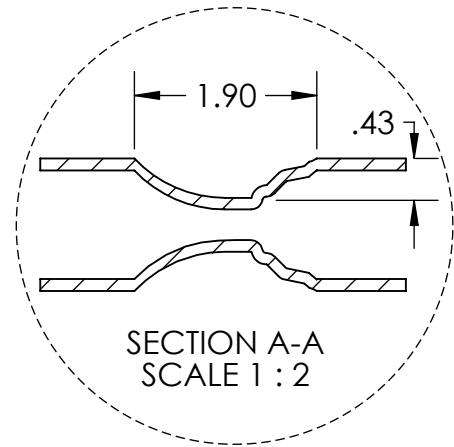
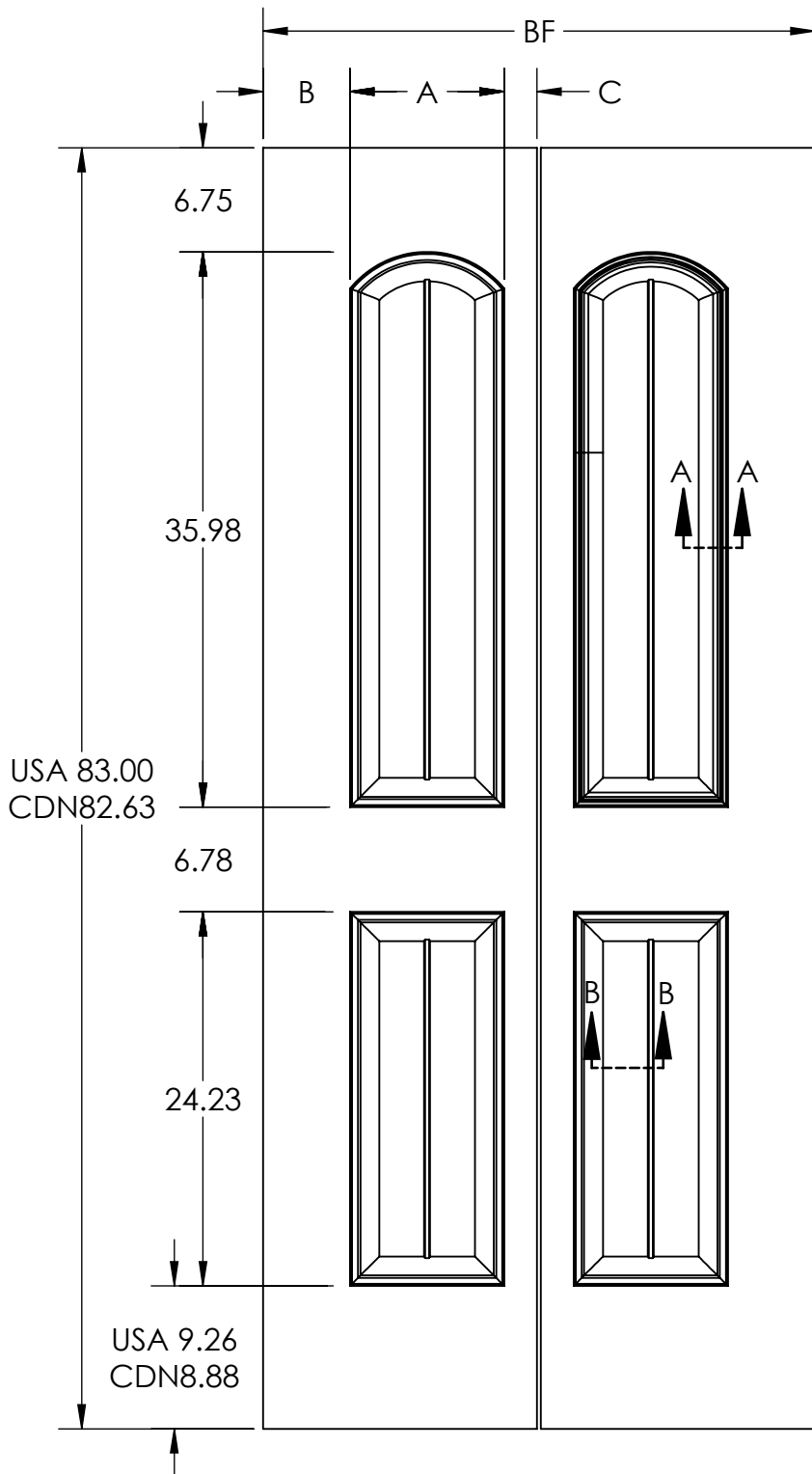
Molded Profile Bifold



DIMENSIONS ARE IN: Inches
 DOOR TOLERANCES
 WIDTH (FULL WIDTH): ±1/16
 WIDTH (PREFIT): ±1/32
 HEIGHT: ±1/16
 SQUARE: ±1/8

THE INFORMATION CONTAINED IN THIS DRAWING IS THE SOLE PROPERTY OF Lynden Door, Inc. ANY REPRODUCTION IN PART OR AS A WHOLE WITHOUT THE WRITTEN PERMISSION OF Lynden Door, Inc. IS PROHIBITED.

A04-00048 01/10/19



| Chelan Bifold 7'0" | | | | |
|--------------------|-------|------|------|------|
| BF | A | B | C | D |
| 3-0* | 10.00 | 5.63 | 2.12 | 2.90 |
| 2-8* | 10.00 | 3.63 | 2.12 | 2.90 |
| 2-6* | 10.00 | 2.63 | 2.12 | 2.90 |
| 2-4* | 10.00 | 2.12 | 1.63 | 2.90 |
| 2-0* | 8.20 | 2.17 | 1.38 | 2.01 |

Use of heavy duty hardware may require additional undercut. Lynden Door standard is 3/4"

*** Non-Stock, Contact factory for pricing and availability.**

Chelan (Cashal)

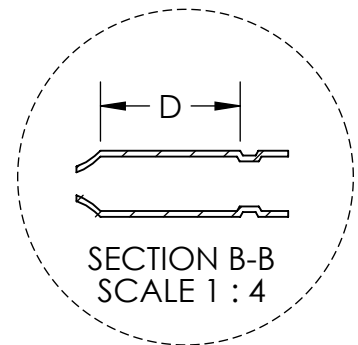
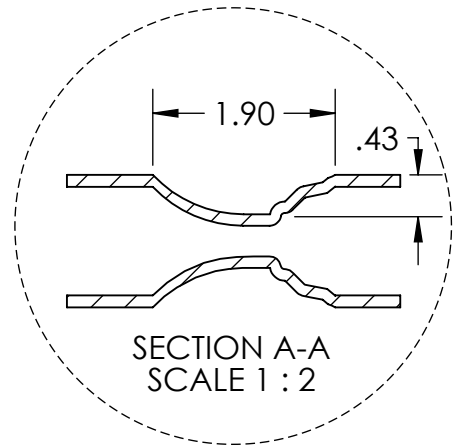
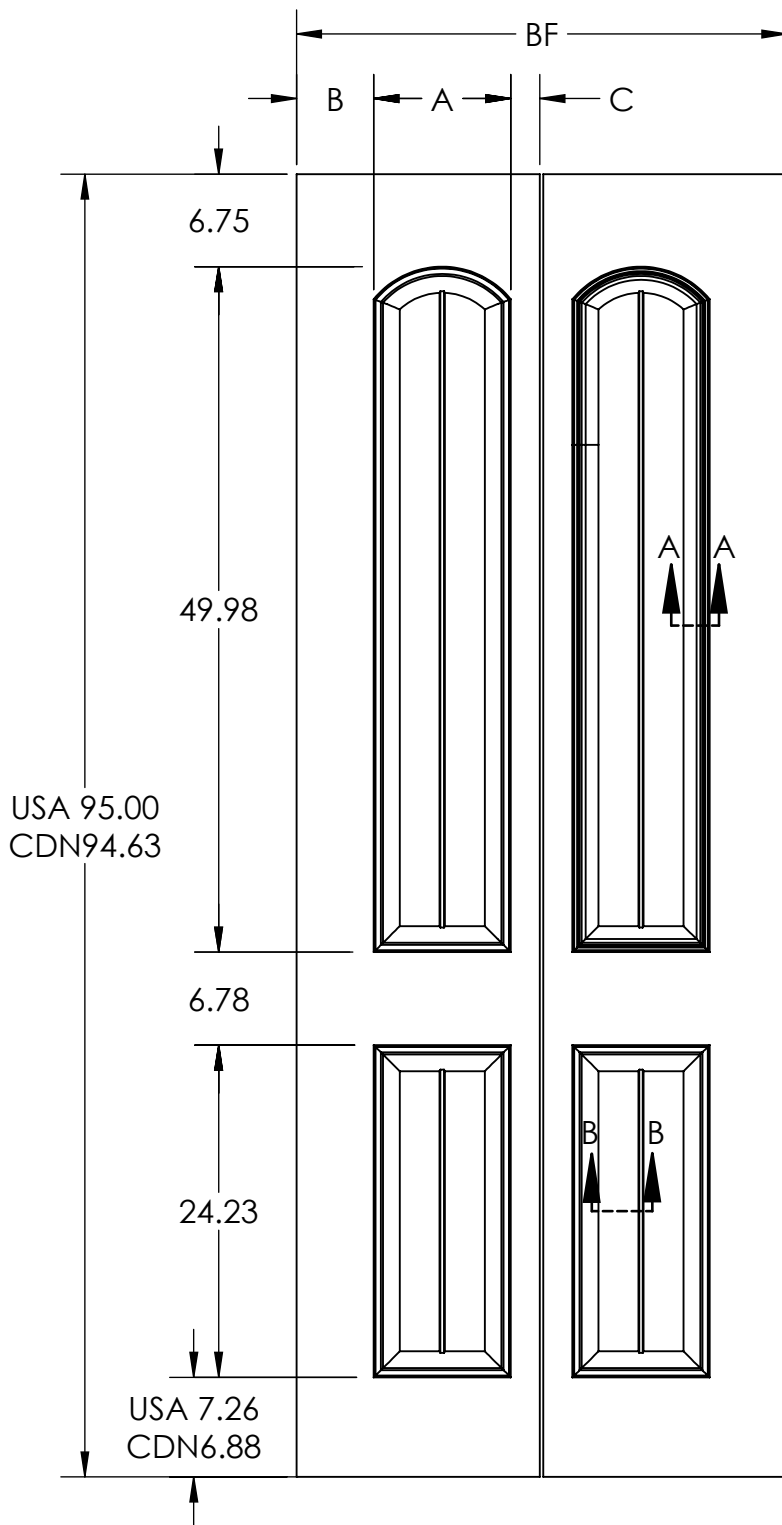
Molded Profile Bifold



DIMENSIONS ARE IN: inches
DOOR TOLERANCES
WIDTH (FULL WIDTH): ±1/16
WIDTH (PREFIT): ±1/32
HEIGHT: ±1/16
SQUARE: ±1/8

THE INFORMATION CONTAINED IN THIS DRAWING IS THE SOLE PROPERTY OF Lynden Door, Inc. ANY REPRODUCTION IN PART OR AS A WHOLE WITHOUT THE WRITTEN PERMISSION OF Lynden Door, Inc. IS PROHIBITED.

A04-00048 01/10/19



| Chelan Bifold 8'0" | | | | |
|--------------------|-------|------|------|------|
| BF | A | B | C | D |
| 3-0* | 10.00 | 5.63 | 2.12 | 2.90 |
| 2-8* | 10.00 | 3.63 | 2.12 | 2.90 |
| 2-6* | 10.00 | 2.63 | 2.12 | 2.90 |
| 2-4* | 10.00 | 2.12 | 1.63 | 2.90 |
| 2-0* | 8.20 | 2.17 | 1.38 | 2.01 |

Use of heavy duty hardware may require additional undercut. Lynden Door standard is 3/4"

*** Non-Stock, Contact factory for pricing and availability.**

Chelan (Cashal)

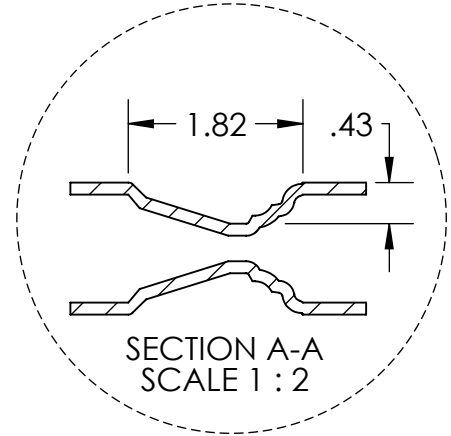
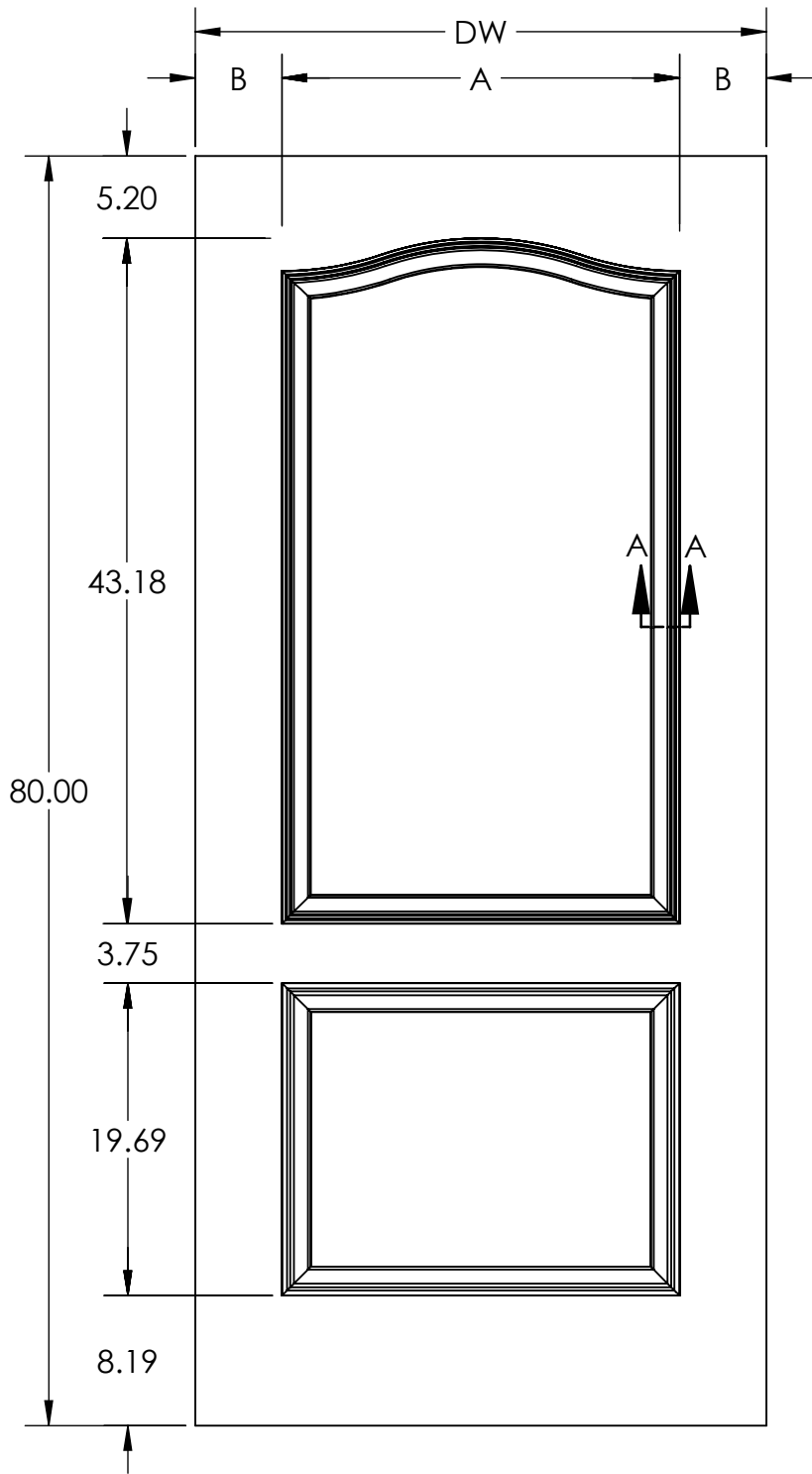
Molded Profile Bifold



DIMENSIONS ARE IN: Inches
DOOR TOLERANCES
WIDTH (FULL WIDTH): ±1/16
WIDTH (PREFIT): ±1/32
HEIGHT: ±1/16
SQUARE: ±1/8

THE INFORMATION CONTAINED IN THIS DRAWING IS THE SOLE PROPERTY OF Lynden Door, Inc. ANY REPRODUCTION IN PART OR AS A WHOLE WITHOUT THE WRITTEN PERMISSION OF Lynden Door, Inc. IS PROHIBITED.

A04-00048 01/10/19



| Samish 6'8" | | |
|--|-------|------|
| All dimensions nominal before prefit and bevel. | | |
| DW | A | B |
| 3-0 | 25.00 | 5.50 |
| 2-10 | 22.81 | 5.59 |
| 2-8 | 22.81 | 4.59 |
| 2-6 | 19.56 | 5.21 |
| 2-4 | 18.12 | 4.93 |
| 2-2 | 18.12 | 3.93 |
| 2-0 | 14.93 | 4.53 |
| 1-10 | 14.93 | 3.53 |
| 1-8 | 9.50 | 5.25 |
| 1-6 | 9.50 | 4.25 |
| Bottom rail dimension does not comply with ADA requirements. | | |

Samish (Cremona)

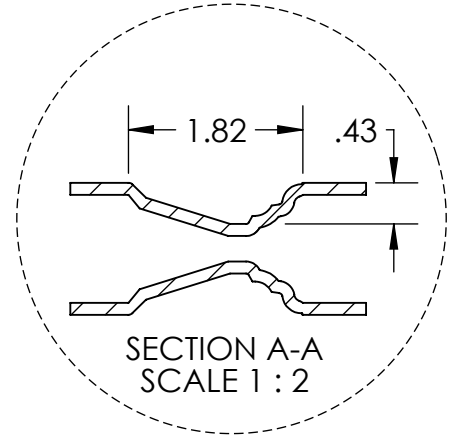
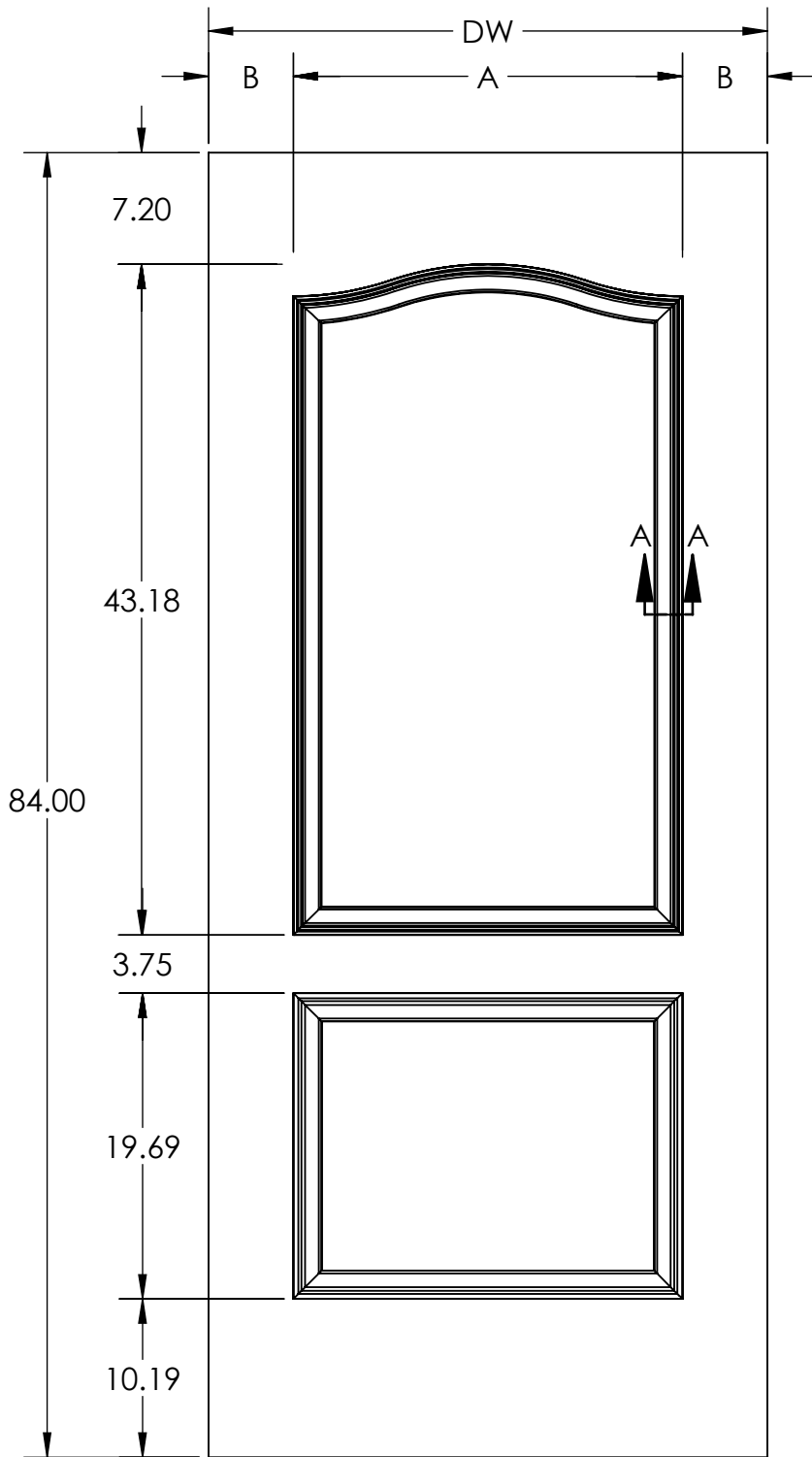
Molded Profile Door



DIMENSIONS ARE IN: inches
 DOOR TOLERANCES
 WIDTH (FULL WIDTH): $\pm 1/16$
 WIDTH (PREFIT): $\pm 1/32$
 HEIGHT: $\pm 1/16$
 SQUARE: $\pm 1/8$

THE INFORMATION CONTAINED IN THIS DRAWING IS THE
 SOLE PROPERTY OF Lynden Door, Inc. ANY
 REPRODUCTION IN PART OR AS A WHOLE WITHOUT THE
 WRITTEN PERMISSION OF Lynden Door, Inc. IS PROHIBITED.

A04-00039 01/14/19



| Samish 7'0" | | |
|--|-------|------|
| All dimensions nominal before prefit and bevel. | | |
| DW | A | B |
| 3-0 | 25.00 | 5.50 |
| 2-10 | 22.81 | 5.59 |
| 2-8 | 22.81 | 4.59 |
| 2-6 | 19.56 | 5.21 |
| 2-4 | 18.12 | 4.93 |
| 2-2 | 18.12 | 3.93 |
| 2-0* | 14.93 | 4.53 |
| 1-10* | 14.93 | 3.53 |
| 1-8* | 9.50 | 5.25 |
| 1-6* | 9.50 | 4.25 |
| Bottom rail dimension complies with ADA requirements. | | |
| * Non-Stock, Contact factory for pricing and availability. | | |

Samish (Cremona)

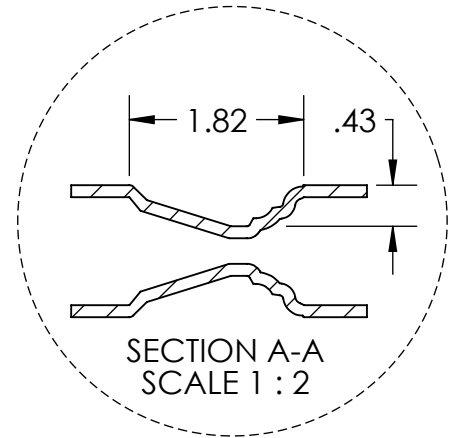
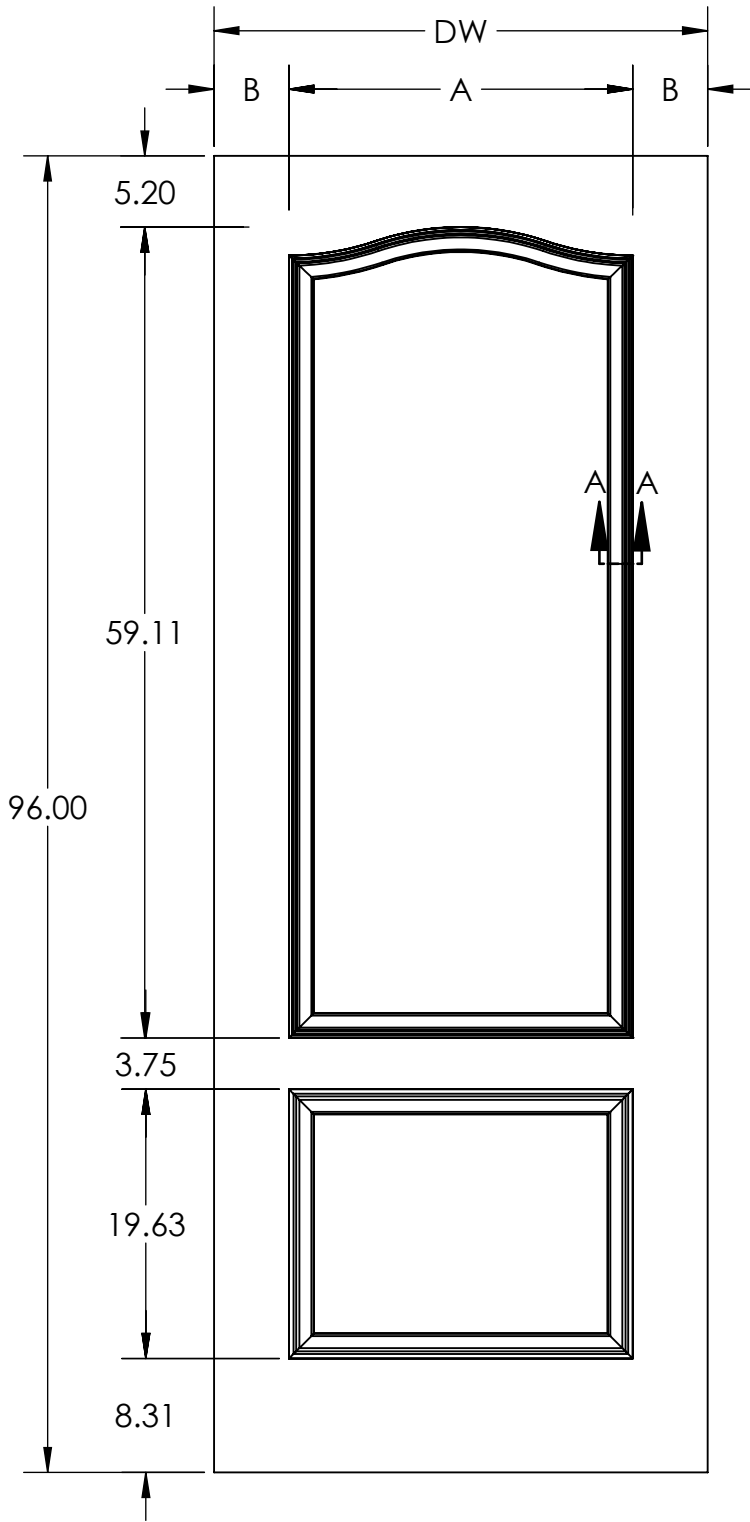
Molded Profile Door



DIMENSIONS ARE IN: inches
 DOOR TOLERANCES
 WIDTH (FULL WIDTH): ±1/16
 WIDTH (PREFIT): ±1/32
 HEIGHT: ±1/16
 SQUARE: ±1/8

THE INFORMATION CONTAINED IN THIS DRAWING IS THE SOLE PROPERTY OF Lynden Door, Inc. ANY REPRODUCTION IN PART OR AS A WHOLE WITHOUT THE WRITTEN PERMISSION OF Lynden Door, Inc. IS PROHIBITED.

A04-00039 01/14/19



| Samish 8'0" | | |
|---|-------|------|
| All dimensions nominal before prefit and bevel. | | |
| DW | A | B |
| 3-0 | 25.00 | 5.50 |
| 2-10* | 25.00 | 4.50 |
| 2-8 | 22.81 | 4.59 |
| 2-6 | 19.56 | 5.21 |
| 2-4 | 18.12 | 4.93 |
| 2-2 | 18.12 | 3.93 |
| 2-0 | 14.93 | 4.53 |
| 1-10 | 14.93 | 3.53 |
| 1-8 | 9.50 | 5.25 |
| 1-6 | 9.50 | 4.25 |
| Bottom rail dimension does not comply with ADA requirements. | | |
| *Contact factory regarding availability of wider stile options. | | |

Samish (Cremona)

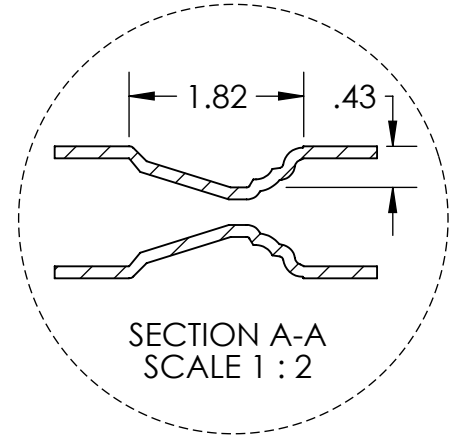
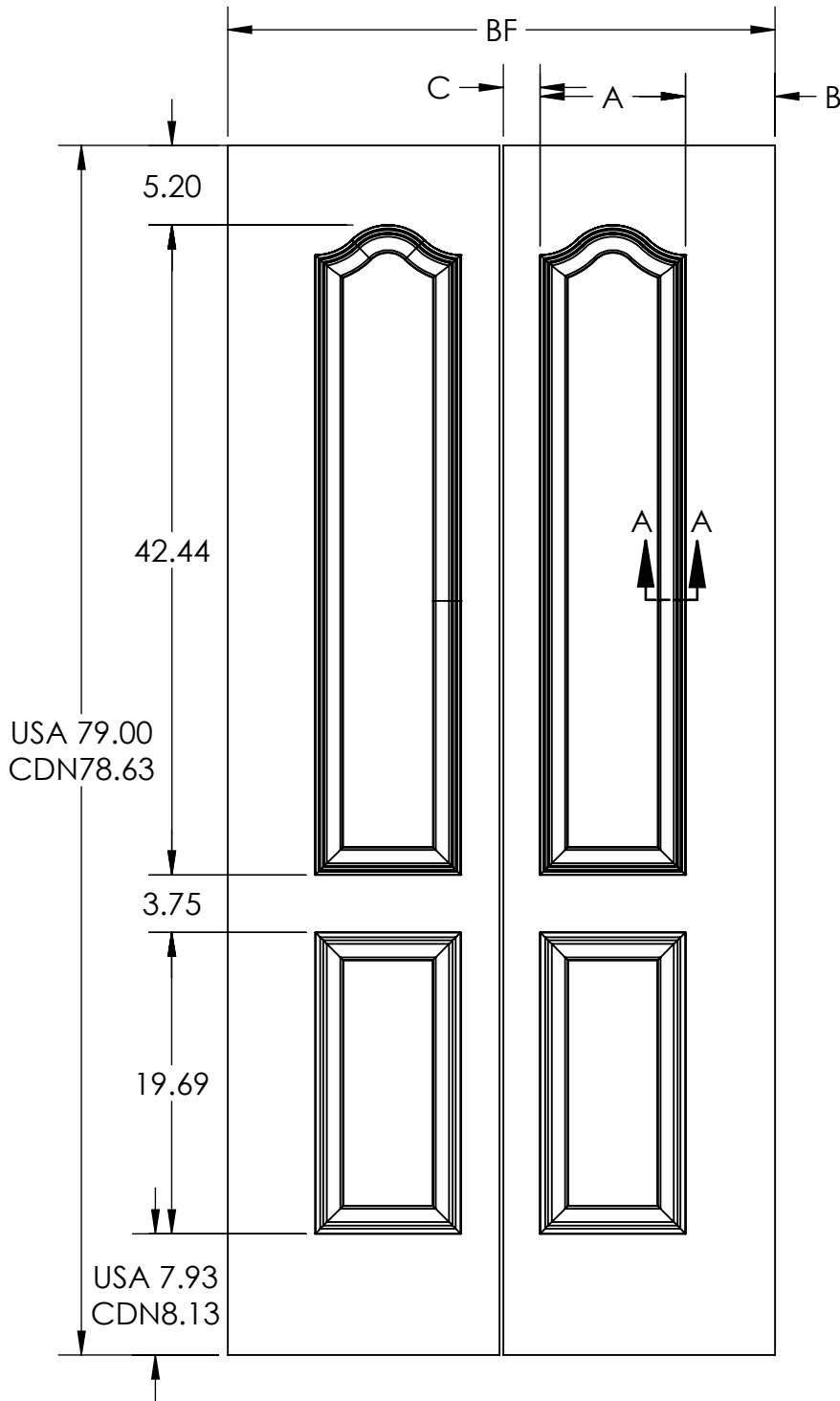
Molded Profile Door



DIMENSIONS ARE IN: inches
 DOOR TOLERANCES
 WIDTH (FULL WIDTH): ±1/16
 WIDTH (PREFIT): ±1/32
 HEIGHT: ±1/16
 SQUARE: ±1/8

THE INFORMATION CONTAINED IN THIS DRAWING IS THE SOLE PROPERTY OF Lynden Door, Inc. ANY REPRODUCTION IN PART OR AS A WHOLE WITHOUT THE WRITTEN PERMISSION OF Lynden Door, Inc. IS PROHIBITED.

A04-00039 01/14/19



| Samish Bifold 6'8" | | | |
|--------------------|------|------|------|
| BF | A | B | C |
| 3-0 | 9.50 | 5.87 | 2.38 |
| 2-8 | 9.50 | 3.87 | 2.38 |
| 2-6 | 8.63 | 4.37 | 1.75 |
| 2-4 | 8.63 | 2.37 | 1.75 |
| 2-0 | 6.75 | 3.25 | 1.75 |
| 1-8 | 6.75 | 1.75 | 1.25 |
| 1-6 | 6.75 | 1.00 | 1.00 |

Use of heavy duty hardware may require additional undercut. Lynden Door standard is 3/4"

Samish (Cremona)

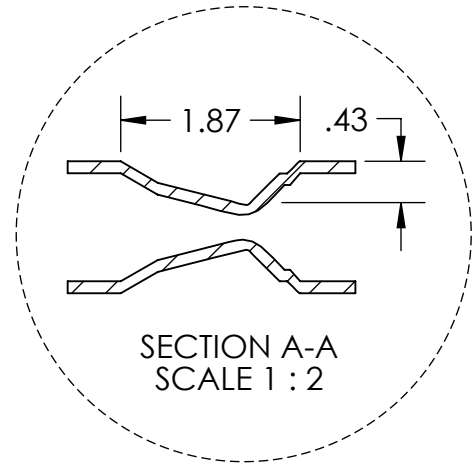
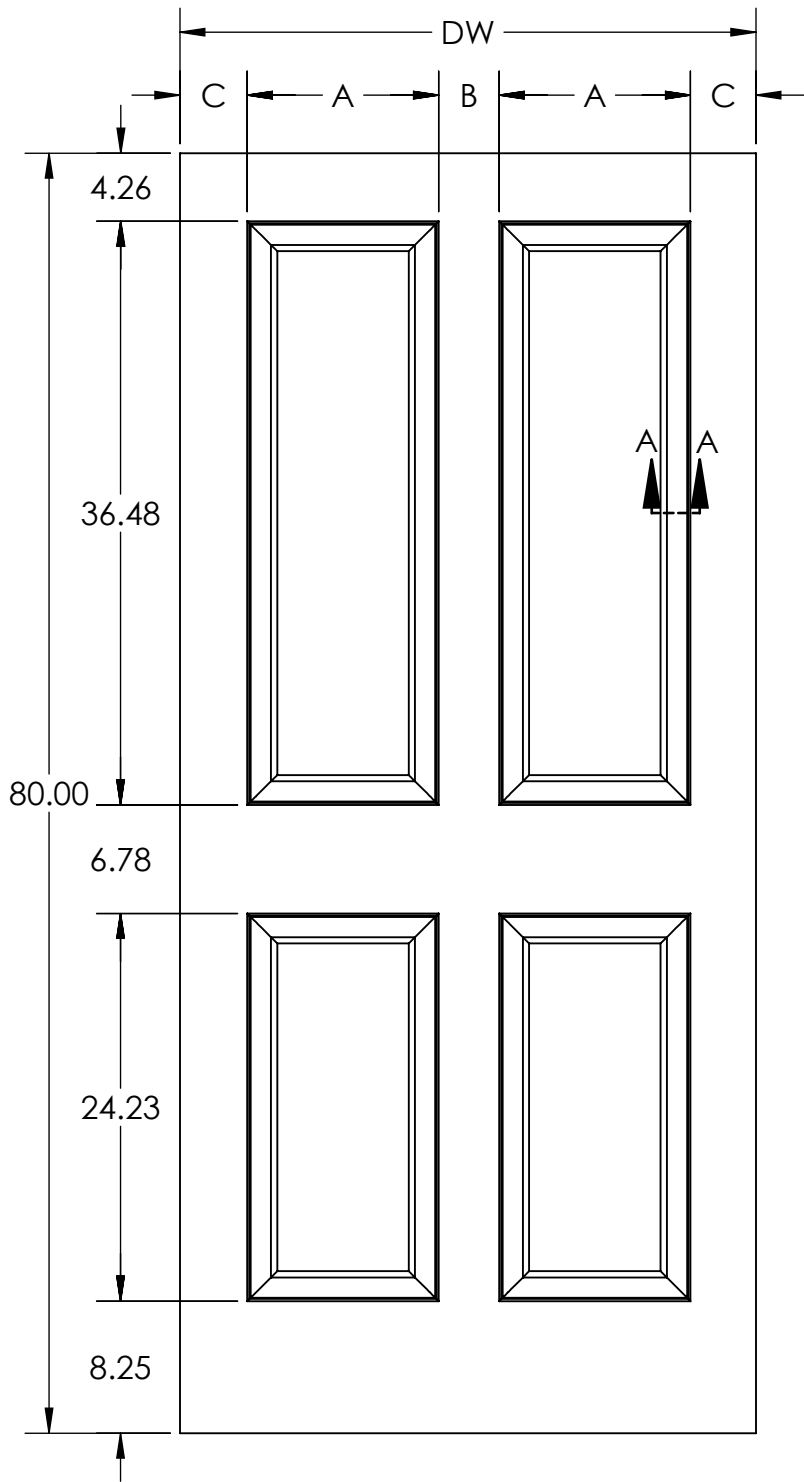
Molded Profile Bifold



DIMENSIONS ARE IN: inches
 DOOR TOLERANCES
 WIDTH (FULL WIDTH): $\pm 1/16$
 WIDTH (PREFIT): $\pm 1/32$
 HEIGHT: $\pm 1/16$
 SQUARE: $\pm 1/8$

THE INFORMATION CONTAINED IN THIS DRAWING IS THE SOLE PROPERTY OF Lynden Door, Inc. ANY REPRODUCTION IN PART OR AS A WHOLE WITHOUT THE WRITTEN PERMISSION OF Lynden Door, Inc. IS PROHIBITED.

A04-00039 01/14/19



| Bainbridge 6'8" | | | |
|--|-------|------|------|
| All dimensions nominal before prefit and bevel. | | | |
| DW | A | B | C |
| 3-0 | 11.96 | 3.78 | 4.15 |
| 2-10 | 9.96 | 3.78 | 5.15 |
| 2-8 | 9.96 | 3.78 | 4.15 |
| 2-6 | 8.96 | 3.78 | 4.15 |
| 2-4 | 7.96 | 3.78 | 4.15 |
| 2-2 | 5.96 | 3.78 | 5.15 |
| 2-0 | 5.96 | 3.78 | 4.15 |
| 1-10 | 5.96 | 3.78 | 3.15 |
| Bottom rail dimension does not comply with ADA requirements. | | | |

Bainbridge (Coventry)

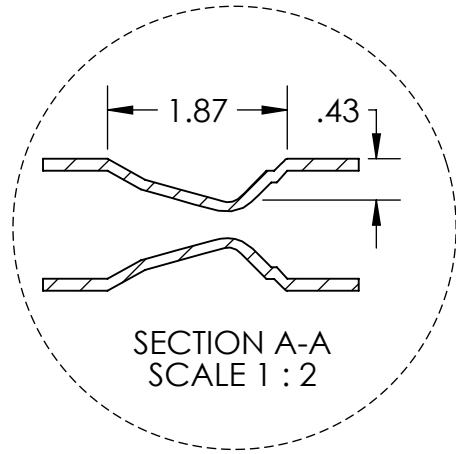
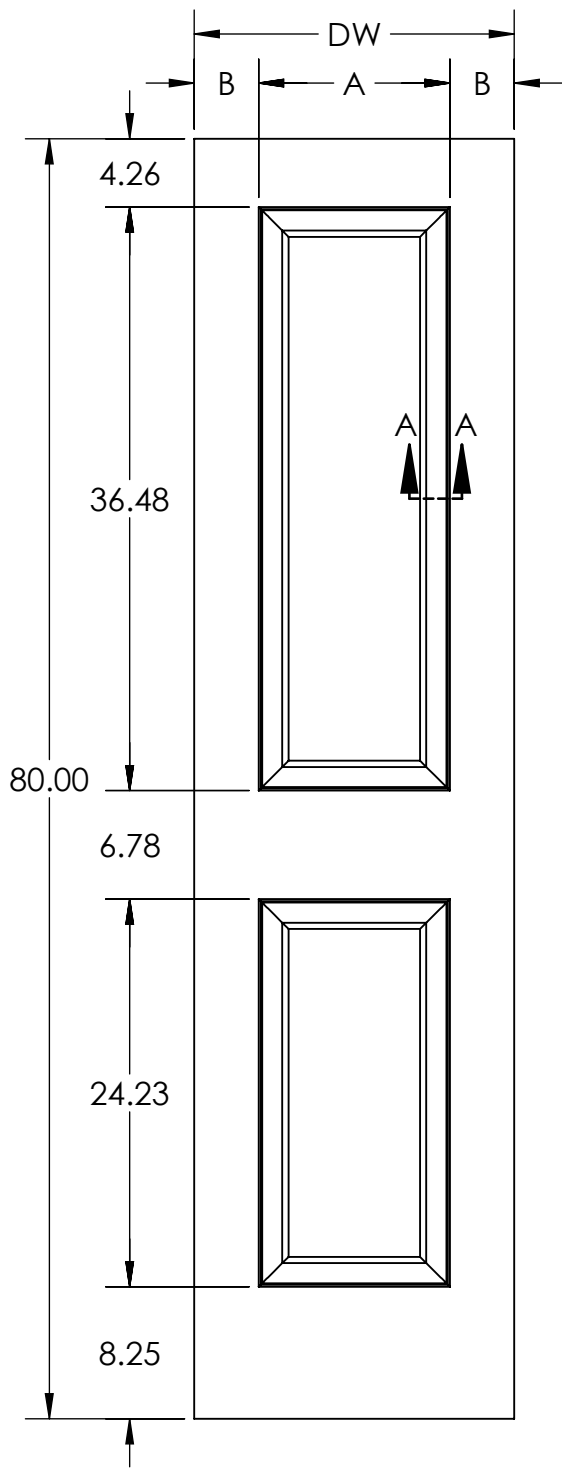
Molded Profile Door

LD Lynden Door
Open Your Future

DIMENSIONS ARE IN: Inches
DOOR TOLERANCES
WIDTH (FULL WIDTH): $\pm 1/16$
WIDTH (PREFIT): $\pm 1/32$
HEIGHT: $\pm 1/16$
SQUARE: $\pm 1/8$

THE INFORMATION CONTAINED IN THIS DRAWING IS THE SOLE PROPERTY OF Lynden Door, Inc. ANY REPRODUCTION IN PART OR AS A WHOLE WITHOUT THE WRITTEN PERMISSION OF Lynden Door, Inc. IS PROHIBITED.

A04-00045 01/15/19



| Bainbridge 6'8" | | |
|--|-------|------|
| All dimensions nominal before prefit and bevel. | | |
| DW | A | B |
| 1-8 | 11.96 | 4.02 |
| 1-6 | 11.96 | 3.02 |
| 1-4 | 7.08 | 4.46 |
| Bottom rail dimension does not comply with ADA requirements. | | |

Bainbridge (Coventry)

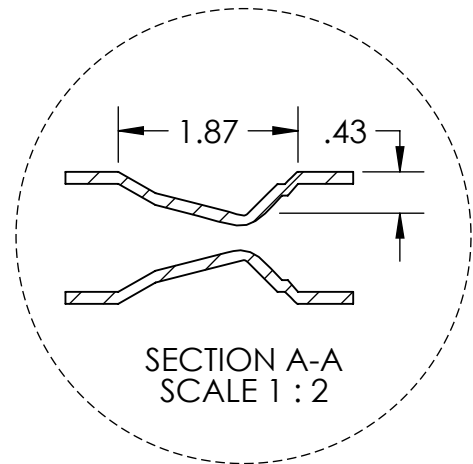
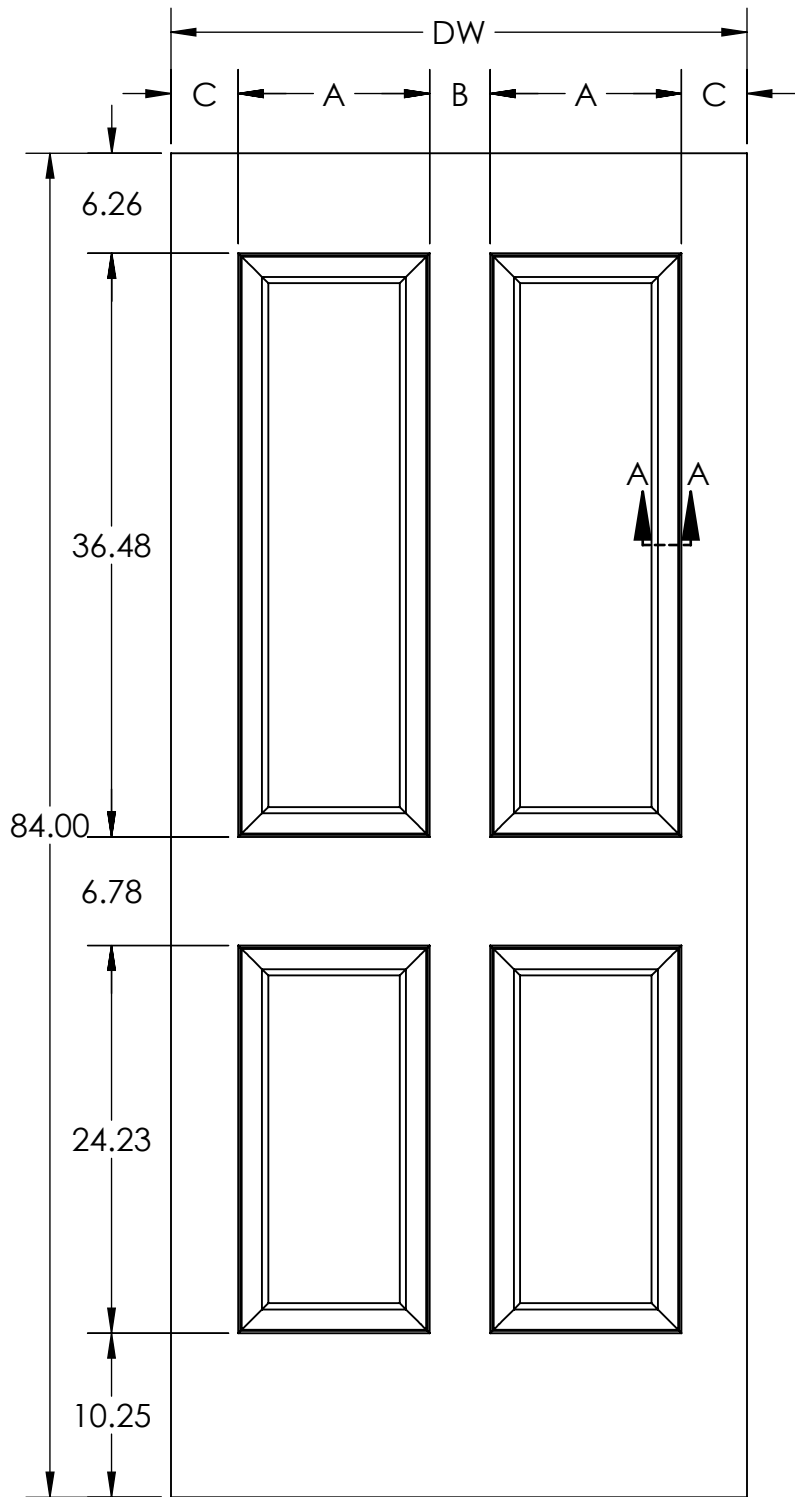
Molded Profile Door



DIMENSIONS ARE IN: inches
 DOOR TOLERANCES
 WIDTH (FULL WIDTH): ±1/16
 WIDTH (PREFIT): ±1/32
 HEIGHT: ±1/16
 SQUARE: ±1/8

THE INFORMATION CONTAINED IN THIS DRAWING IS THE SOLE PROPERTY OF Lynden Door, Inc. ANY REPRODUCTION IN PART OR AS A WHOLE WITHOUT THE WRITTEN PERMISSION OF Lynden Door, Inc. IS PROHIBITED.

A04-00045 01/15/19



| Bainbridge 7'0" | | | |
|---|-------|------|------|
| All dimensions nominal before prefit and bevel. | | | |
| DW | A | B | C |
| 3-0 | 11.96 | 3.78 | 4.15 |
| 2-10 | 9.96 | 3.78 | 5.15 |
| 2-8 | 9.96 | 3.78 | 4.15 |
| 2-6 | 8.96 | 3.78 | 4.15 |
| 2-4 | 7.96 | 3.78 | 4.15 |
| 2-2 | 5.96 | 3.78 | 5.15 |
| 2-0 | 5.96 | 3.78 | 4.15 |
| 1-10 | 5.96 | 3.78 | 3.15 |
| Bottom rail dimension complies with ADA requirements. | | | |

Bainbridge (Coventry)

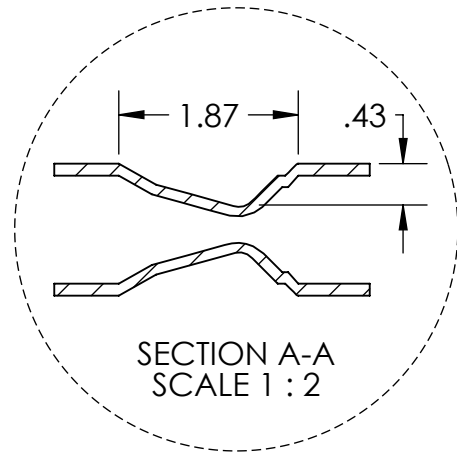
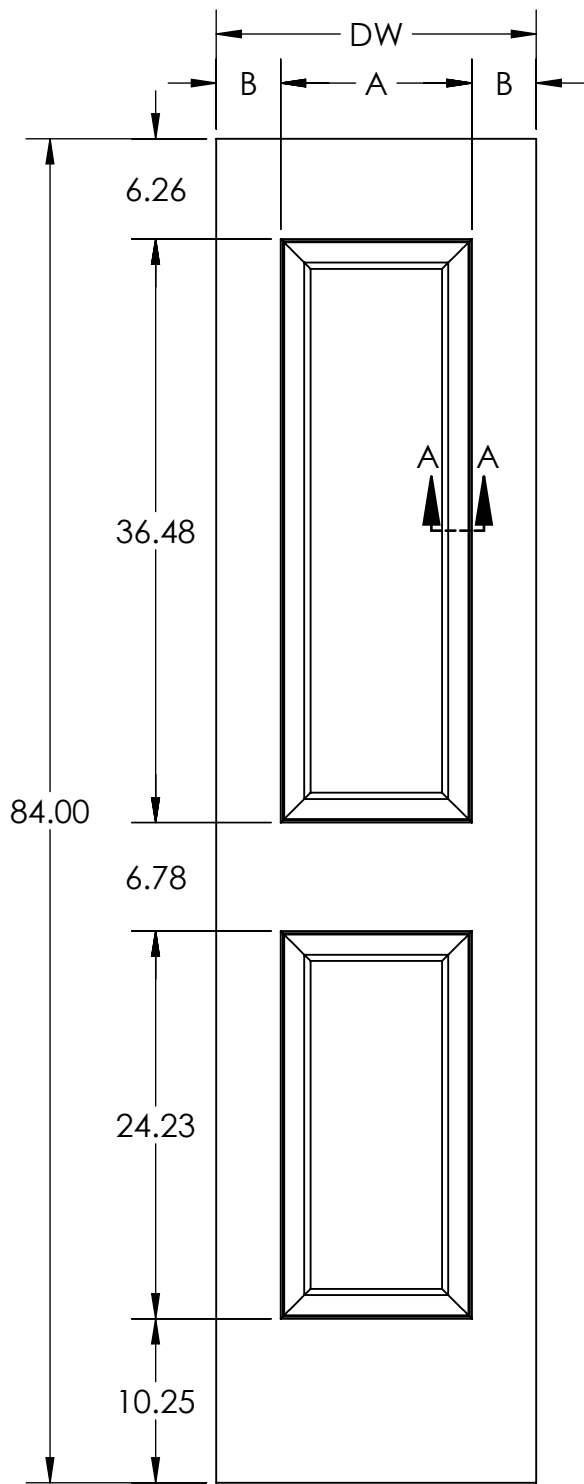
Molded Profile Door

LD Lynden Door
Open Your Future

DIMENSIONS ARE IN: Inches
DOOR TOLERANCES
WIDTH (FULL WIDTH): $\pm 1/16$
WIDTH (PREFIT): $\pm 1/32$
HEIGHT: $\pm 1/16$
SQUARE: $\pm 1/8$

THE INFORMATION CONTAINED IN THIS DRAWING IS THE SOLE PROPERTY OF Lynden Door, Inc. ANY REPRODUCTION IN PART OR AS A WHOLE WITHOUT THE WRITTEN PERMISSION OF Lynden Door, Inc. IS PROHIBITED.

A04-00045 01/15/19



| Bainbridge 7'0" | | |
|--|-------|------|
| All dimensions nominal before prefit and bevel. | | |
| DW | A | B |
| 1-8 | 11.96 | 4.02 |
| 1-6 | 11.96 | 3.02 |
| 1-4* | 7.08 | 4.46 |
| Bottom rail dimension complies with ADA requirements. | | |
| * Non-Stock, Contact factory for pricing and availability. | | |

Bainbridge (Coventry)

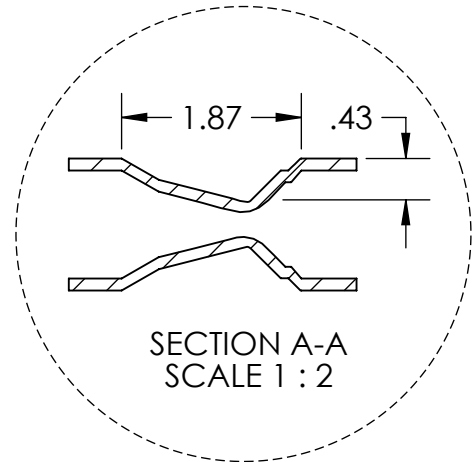
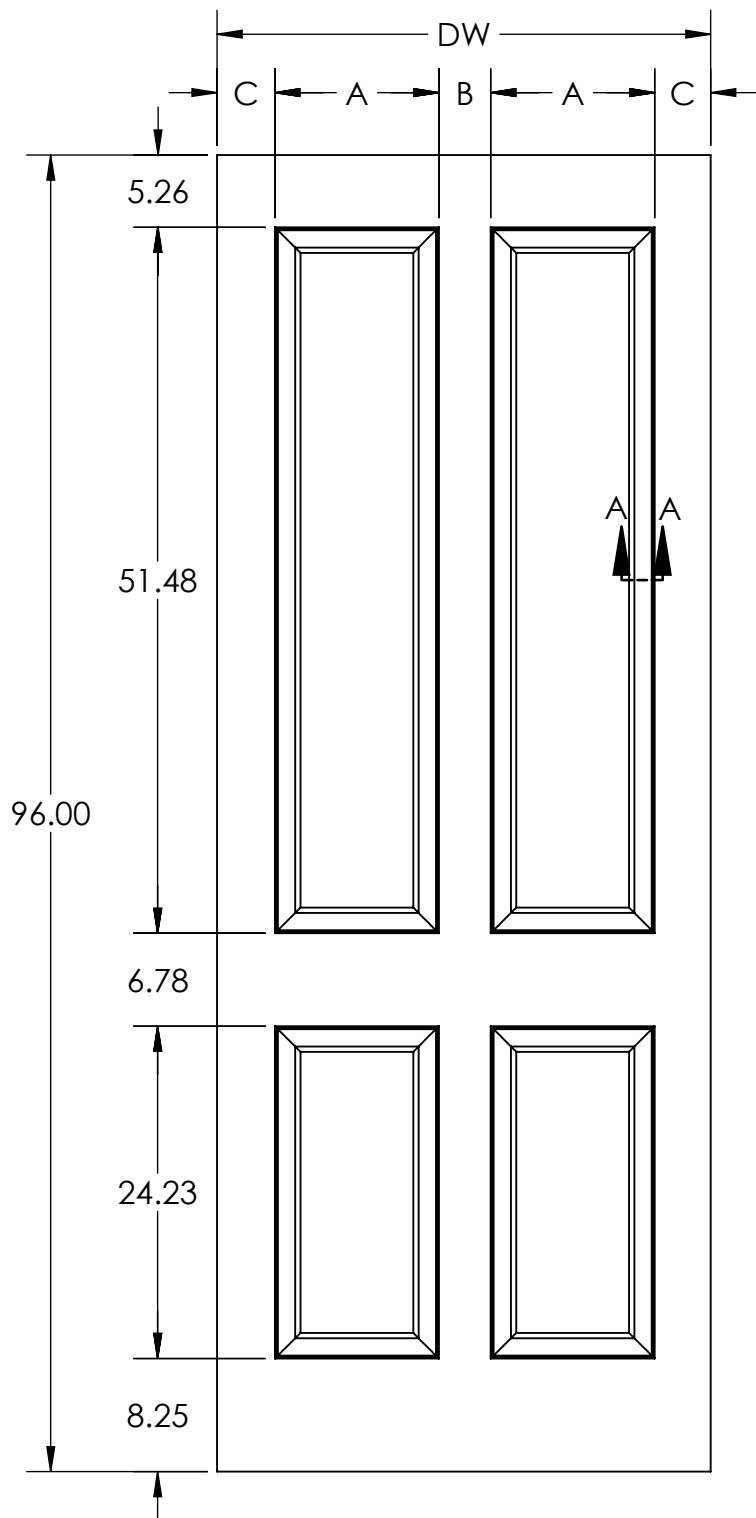
Molded Profile Door



DIMENSIONS ARE IN: inches
 DOOR TOLERANCES
 WIDTH (FULL WIDTH): $\pm 1/16$
 WIDTH (PREFIT): $\pm 1/32$
 HEIGHT: $\pm 1/16$
 SQUARE: $\pm 1/8$

THE INFORMATION CONTAINED IN THIS DRAWING IS THE
 SOLE PROPERTY OF Lynden Door, Inc. ANY
 REPRODUCTION IN PART OR AS A WHOLE WITHOUT THE
 WRITTEN PERMISSION OF Lynden Door, Inc. IS PROHIBITED.

A04-00045 01/15/19



| Bainbridge 8'0" | | | |
|--|-------|------|------|
| All dimensions nominal before prefit and bevel. | | | |
| DW | A | B | C |
| 3-0 | 11.96 | 3.78 | 4.15 |
| 2-10* | 11.96 | 3.78 | 3.15 |
| 2-8 | 9.96 | 3.78 | 4.15 |
| 2-6 | 8.96 | 3.78 | 4.15 |
| 2-4 | 7.96 | 3.78 | 4.15 |
| 2-2* | 7.96 | 3.78 | 3.15 |
| 2-0 | 5.96 | 3.78 | 4.15 |
| 1-10 | 5.96 | 3.78 | 3.15 |
| Bottom rail dimension does not comply with ADA requirements. | | | |
| * Contact factory regarding availability of wider stile options. | | | |

Bainbridge (Coventry)

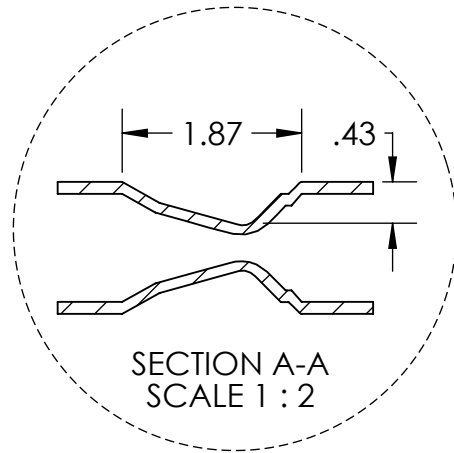
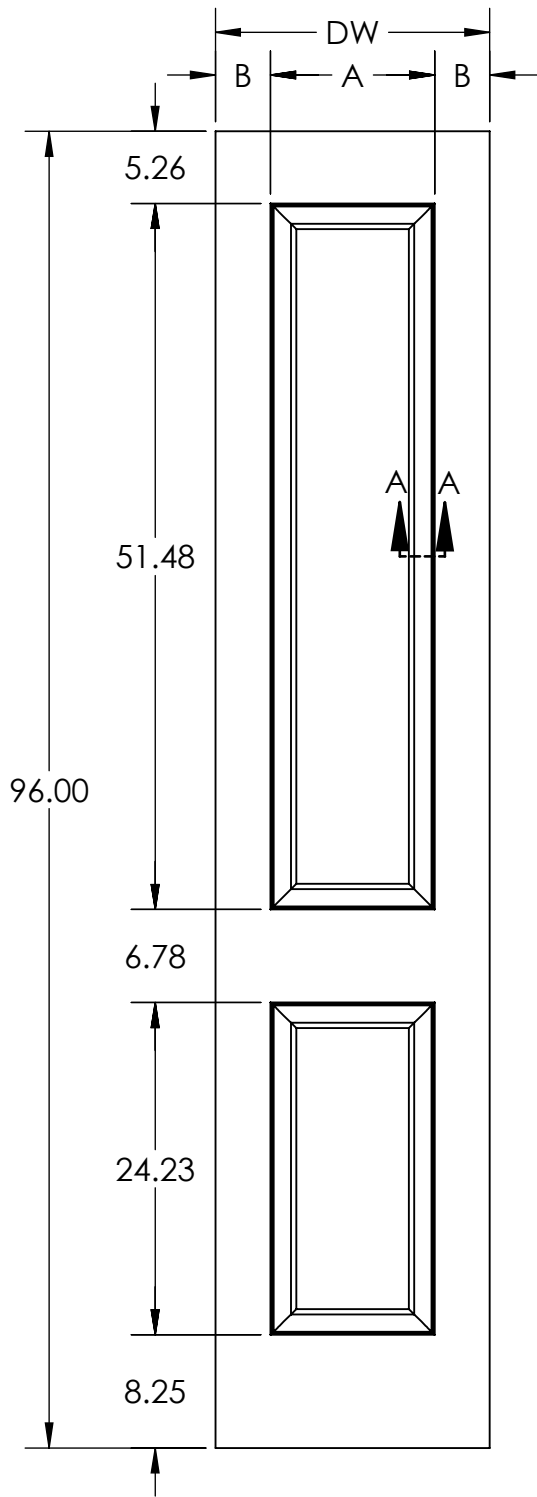
Molded Profile Door



DIMENSIONS ARE IN: inches
 DOOR TOLERANCES
 WIDTH (FULL WIDTH): ±1/16
 WIDTH (PREFIT): ±1/32
 HEIGHT: ±1/16
 SQUARE: ±1/8

THE INFORMATION CONTAINED IN THIS DRAWING IS THE SOLE PROPERTY OF Lynden Door, Inc. ANY REPRODUCTION IN PART OR AS A WHOLE WITHOUT THE WRITTEN PERMISSION OF Lynden Door, Inc. IS PROHIBITED.

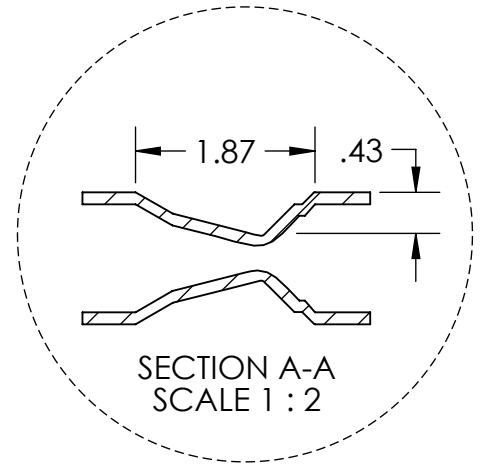
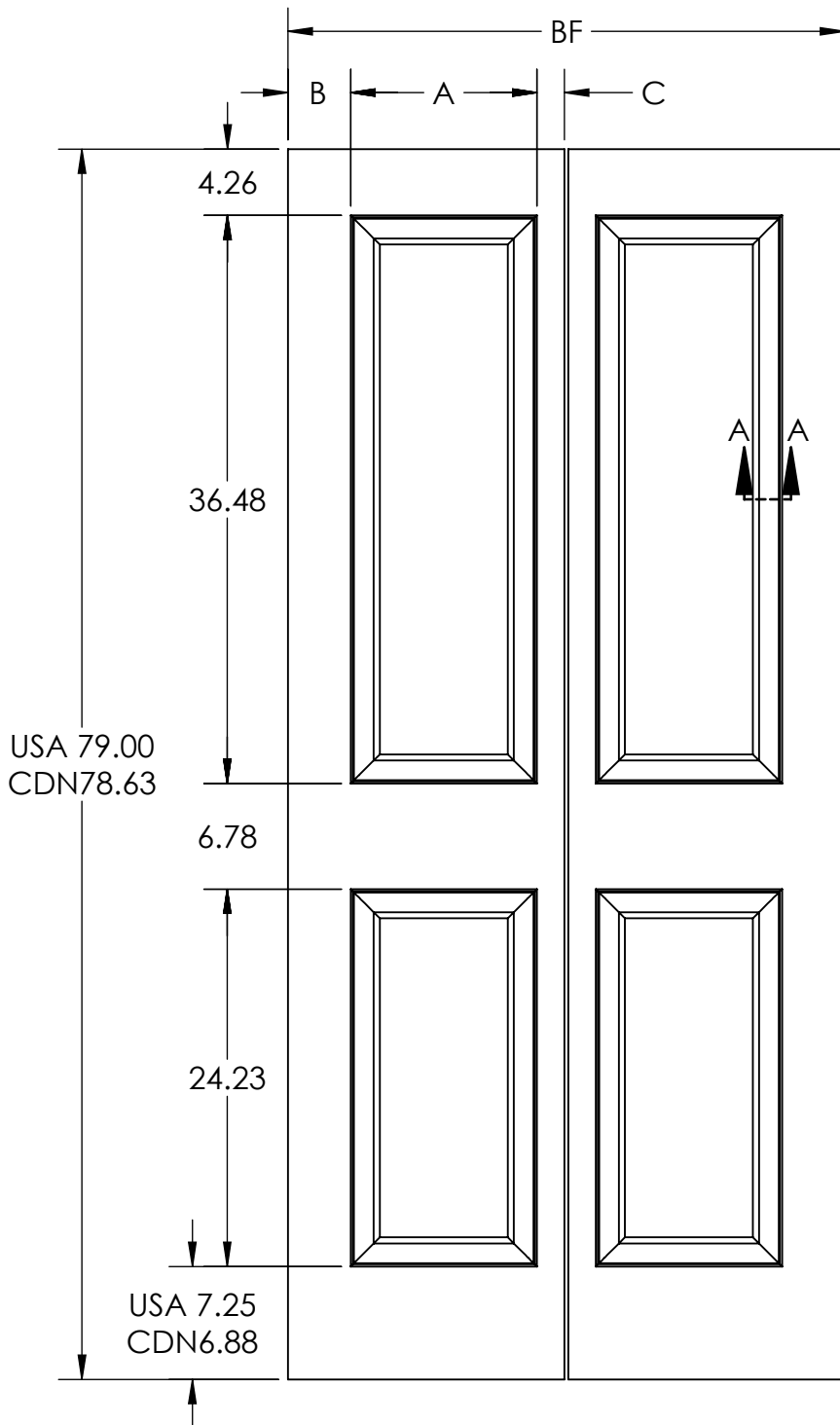
A04-00045 01/15/19



| Bainbridge 8'0" | | |
|--|-------|------|
| All dimensions nominal before prefit and bevel. | | |
| DW | A | B |
| 1-8 | 11.96 | 4.02 |
| 1-6 | 11.96 | 3.02 |
| 1-4* | 7.08 | 4.46 |
| Bottom rail dimension does not comply with ADA requirements. | | |
| * Non-Stock. Contact factory for pricing and availability. | | |

Bainbridge (Coventry)

Molded Profile Door



| Bainbridge Bifold 6'8" | | | |
|------------------------|-------|------|------|
| BF | A | B | C |
| 3-0 | 11.96 | 4.02 | 1.77 |
| 2-8 | 9.96 | 4.02 | 1.77 |
| 2-6 | 8.96 | 4.02 | 1.77 |
| 2-4 | 7.96 | 4.02 | 1.77 |
| 2-0 | 5.96 | 4.02 | 1.77 |
| 1-8 | 5.96 | 2.02 | 1.77 |
| 1-6 | 5.96 | 1.77 | 1.02 |

Use of heavy duty hardware may require additional undercut. Lynden Door standard is 3/4"

Bainbridge (Coventry)

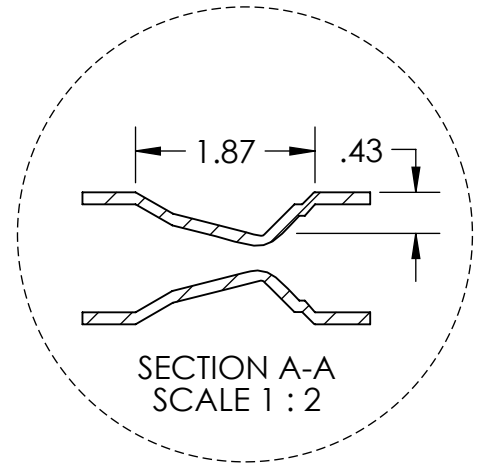
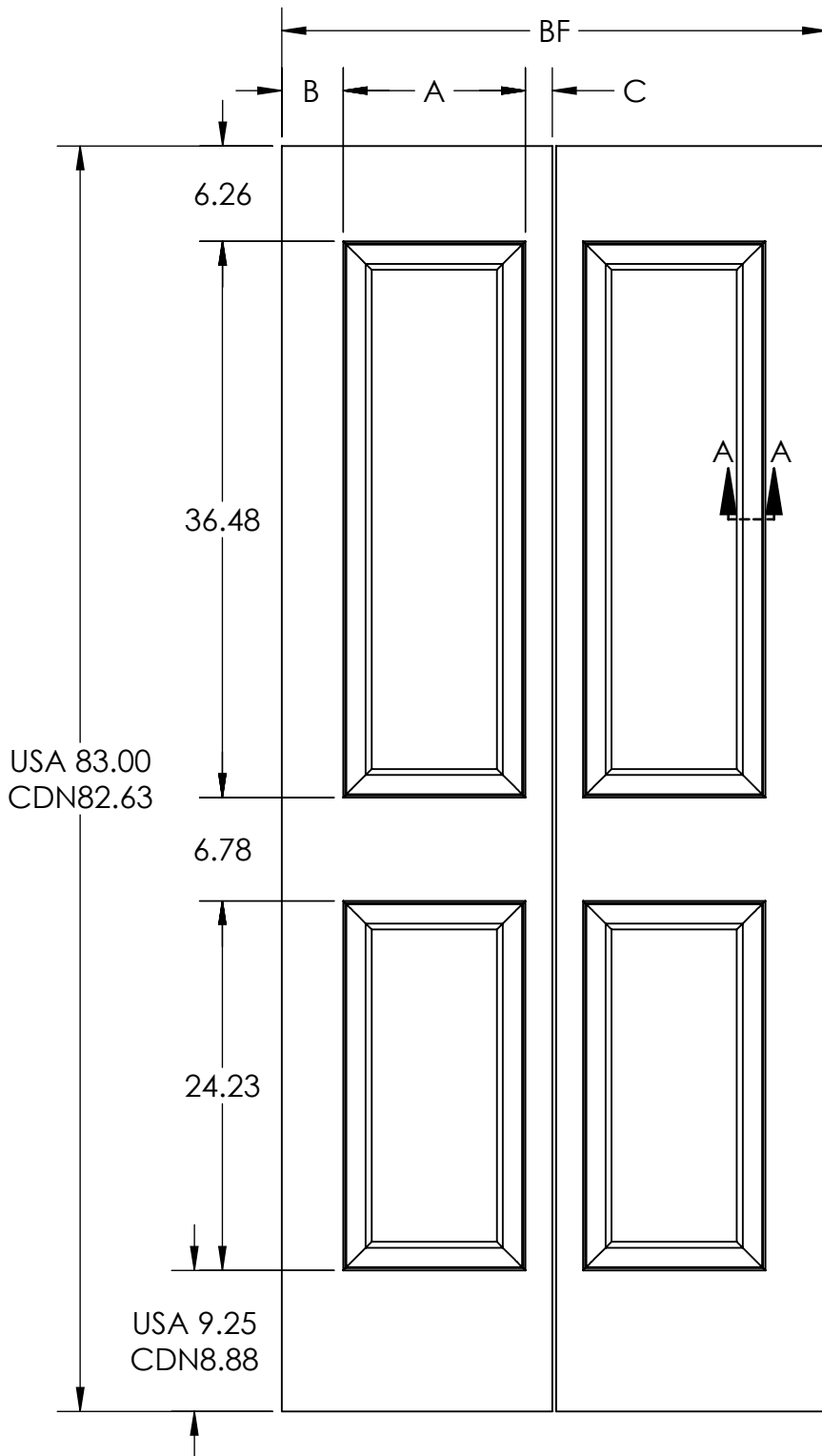
Molded Profile Bifold



DIMENSIONS ARE IN: Inches
 DOOR TOLERANCES
 WIDTH (FULL WIDTH): ±1/16
 WIDTH (PREFIT): ±1/32
 HEIGHT: ±1/16
 SQUARE: ±1/8

THE INFORMATION CONTAINED IN THIS DRAWING IS THE SOLE PROPERTY OF Lynden Door, Inc. ANY REPRODUCTION IN PART OR AS A WHOLE WITHOUT THE WRITTEN PERMISSION OF Lynden Door, Inc. IS PROHIBITED.

A04-00045 01/15/19



| Bainbridge Bifold 7'0" | | | |
|------------------------|-------|------|------|
| BF | A | B | C |
| 3-0 | 11.96 | 4.02 | 1.77 |
| 2-8 | 9.96 | 4.02 | 1.77 |
| 2-6 | 8.96 | 4.02 | 1.77 |
| 2-4 | 7.96 | 4.02 | 1.77 |
| 2-0 | 5.96 | 4.02 | 1.77 |
| 1-8 | 5.96 | 2.02 | 1.77 |
| 1-6 | 5.96 | 1.77 | 1.02 |

Use of heavy duty hardware may require additional undercut. Lynden Door standard is 3/4"

Bainbridge (Coventry)

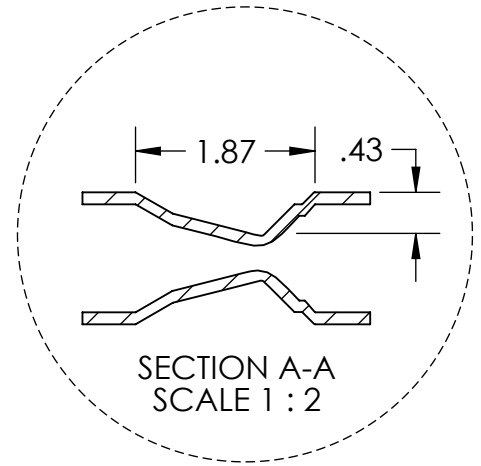
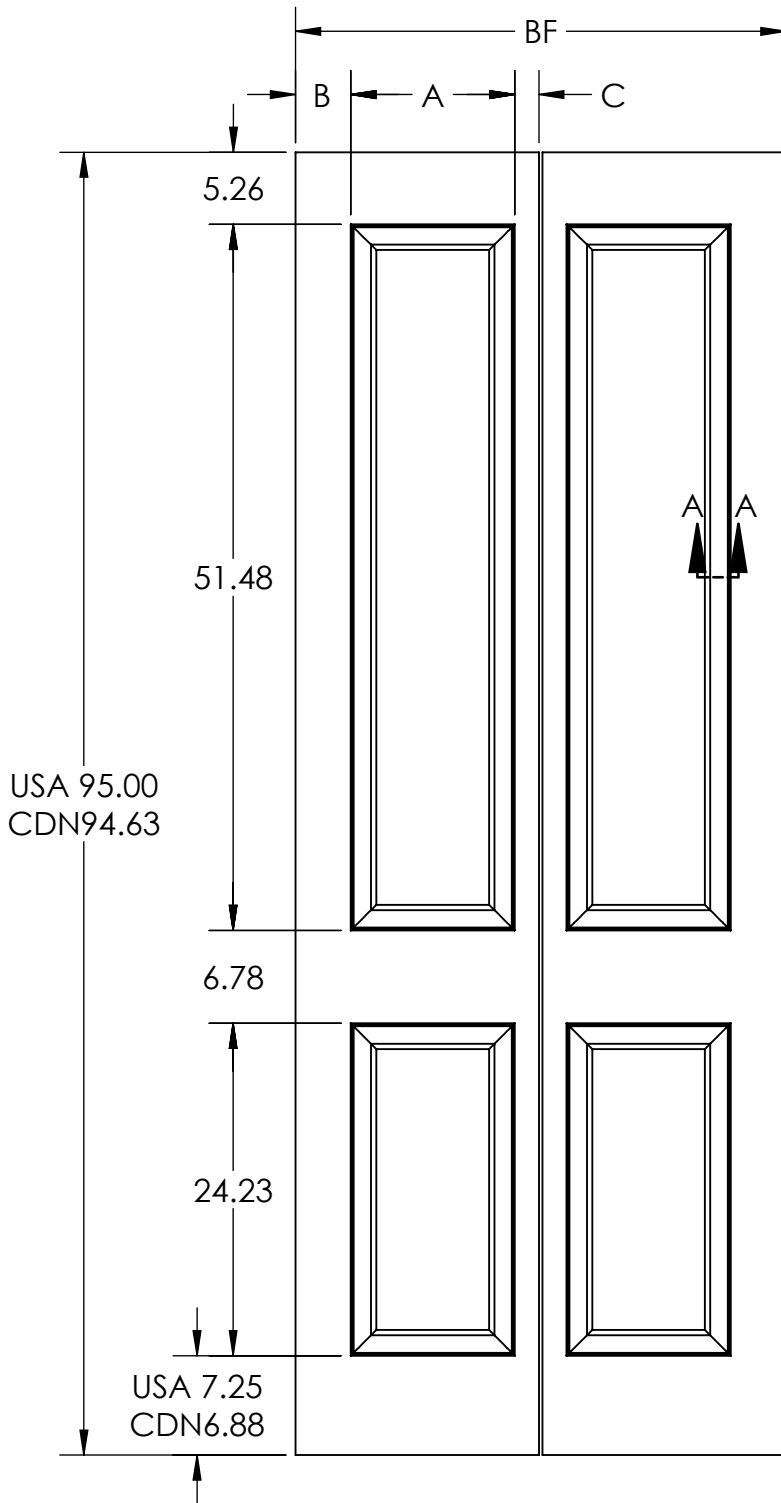
Molded Profile Bifold



DIMENSIONS ARE IN: inches
DOOR TOLERANCES
WIDTH (FULL WIDTH): ±1/16
WIDTH (PREFIT): ±1/32
HEIGHT: ±1/16
SQUARE: ±1/8

THE INFORMATION CONTAINED IN THIS DRAWING IS THE SOLE PROPERTY OF Lynden Door, Inc. ANY REPRODUCTION IN PART OR AS A WHOLE WITHOUT THE WRITTEN PERMISSION OF Lynden Door, Inc. IS PROHIBITED.

A04-00045 01/15/19



| Bainbridge Bifold 8'0" | | | |
|--|-------|------|------|
| BF | A | B | C |
| 3-0 | 11.96 | 4.02 | 1.77 |
| 2-8 | 9.96 | 4.02 | 1.77 |
| 2-6 | 8.96 | 4.02 | 1.77 |
| 2-4 | 7.96 | 4.02 | 1.77 |
| 2-0 | 5.96 | 4.02 | 1.77 |
| 1-8 | 5.96 | 2.02 | 1.77 |
| 1-6 | 5.96 | 1.77 | 1.02 |
| Use of heavy duty hardware may require additional undercut. Lynden Door standard is 3/4" | | | |

Bainbridge (Coventry)

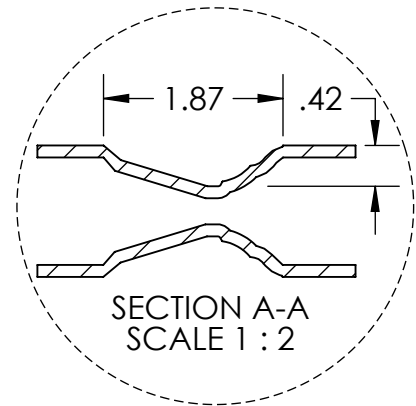
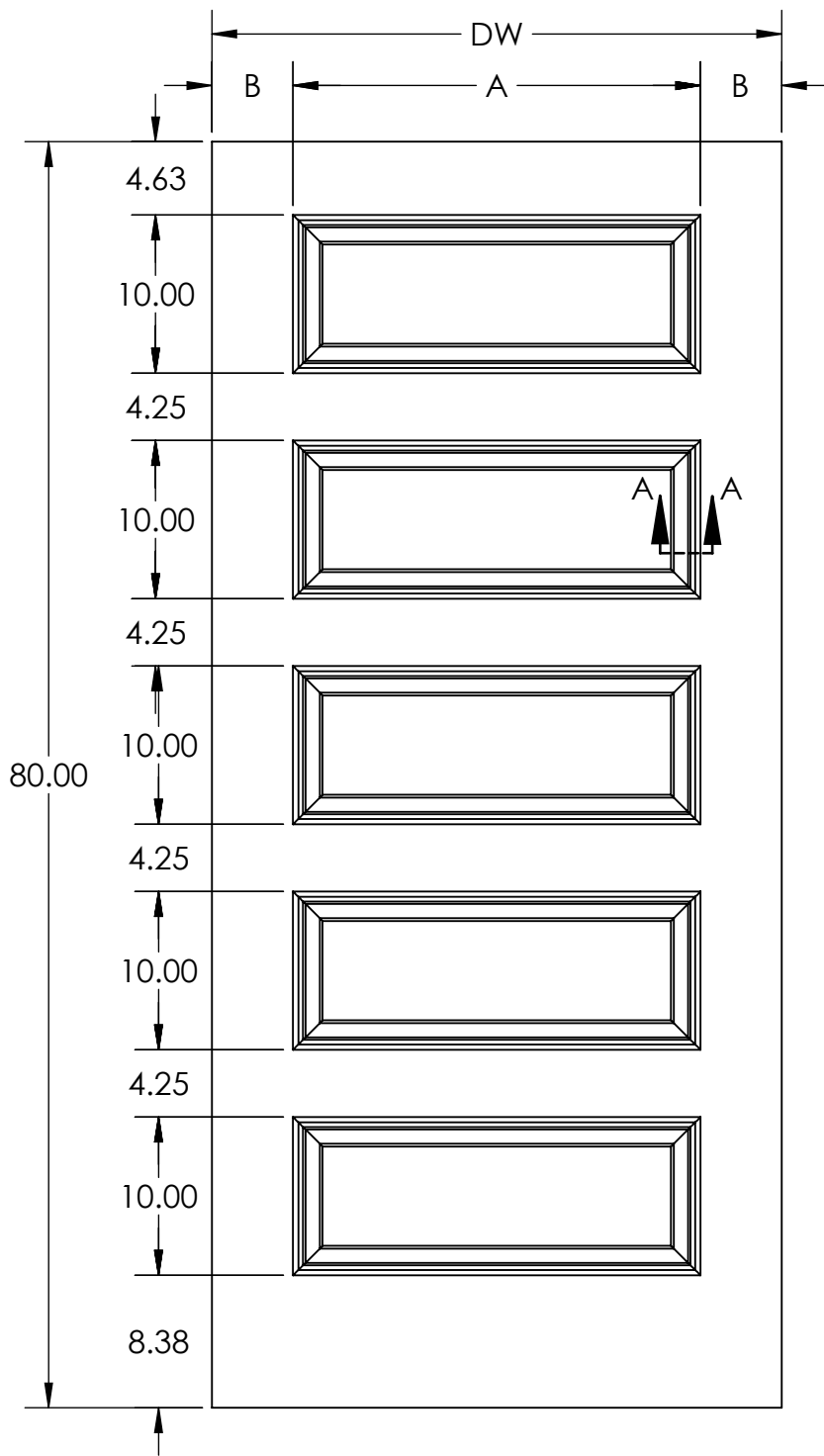
Molded Profile Bifold



DIMENSIONS ARE IN: Inches
DOOR TOLERANCES
WIDTH (FULL WIDTH): ±1/16
WIDTH (PREFIT): ±1/32
HEIGHT: ±1/16
SQUARE: ±1/8

THE INFORMATION CONTAINED IN THIS DRAWING IS THE SOLE PROPERTY OF Lynden Door, Inc. ANY REPRODUCTION IN PART OR AS A WHOLE WITHOUT THE WRITTEN PERMISSION OF Lynden Door, Inc. IS PROHIBITED.

A04-00045 01/15/19



| Benton 6'8" | | |
|--|-------|------|
| All dimensions nominal before prefit and bevel. | | |
| DW | A | B |
| 3-0 | 25.75 | 5.13 |
| 2-10 | 25.75 | 4.13 |
| 2-8 | 23.75 | 4.13 |
| 2-6 | 21.75 | 4.13 |
| 2-4 | 19.75 | 4.13 |
| 2-2 | 19.75 | 3.13 |
| 2-0 | 15.75 | 4.13 |
| 1-10 | 15.75 | 3.13 |
| 1-8 | 10.25 | 4.88 |
| 1-6 | 10.25 | 3.88 |
| Bottom rail dimension does not comply with ADA requirements. | | |

Benton

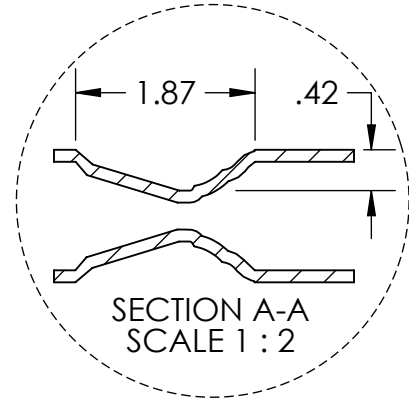
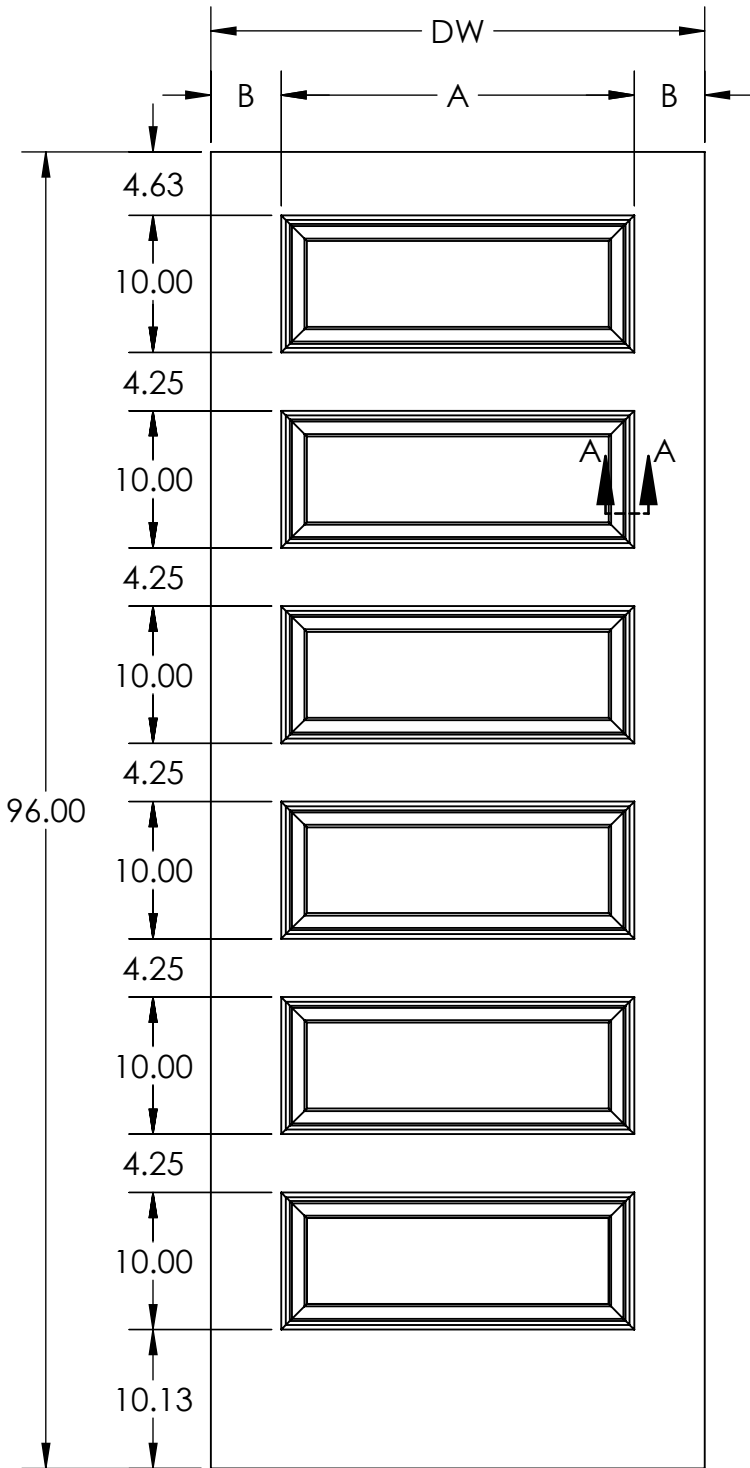
Molded Profile Door



DIMENSIONS ARE IN: Inches
 DOOR TOLERANCES
 WIDTH (FULL WIDTH): $\pm 1/16$
 WIDTH (PREFIT): $\pm 1/32$
 HEIGHT: $\pm 1/16$
 SQUARE: $\pm 1/8$

THE INFORMATION CONTAINED IN THIS DRAWING IS THE SOLE PROPERTY OF Lynden Door, Inc. ANY REPRODUCTION IN PART OR AS A WHOLE WITHOUT THE WRITTEN PERMISSION OF Lynden Door, Inc. IS PROHIBITED.

A04-00050.02/27/18



| Benton 8'0" | | |
|---|-------|------|
| All dimensions nominal before prefit and bevel. | | |
| DW | A | B |
| 3-0 | 25.75 | 5.13 |
| 2-10 | 22.5 | 5.75 |
| 2-8 | 22.5 | 4.75 |
| 2-6 | 20.5 | 4.75 |
| 2-4 | 18.5 | 4.75 |
| 2-2 | 14.5 | 5.75 |
| 2-0 | 14.5 | 4.75 |
| 1-10 | 14.5 | 3.75 |
| 1-8 | 8.5 | 5.75 |
| 1-6 | 8.5 | 4.75 |
| Bottom rail dimension complies with ADA requirements. | | |

Benton

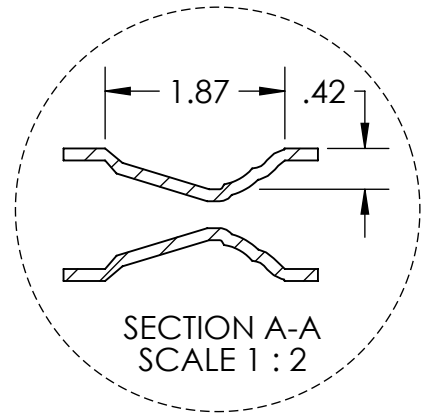
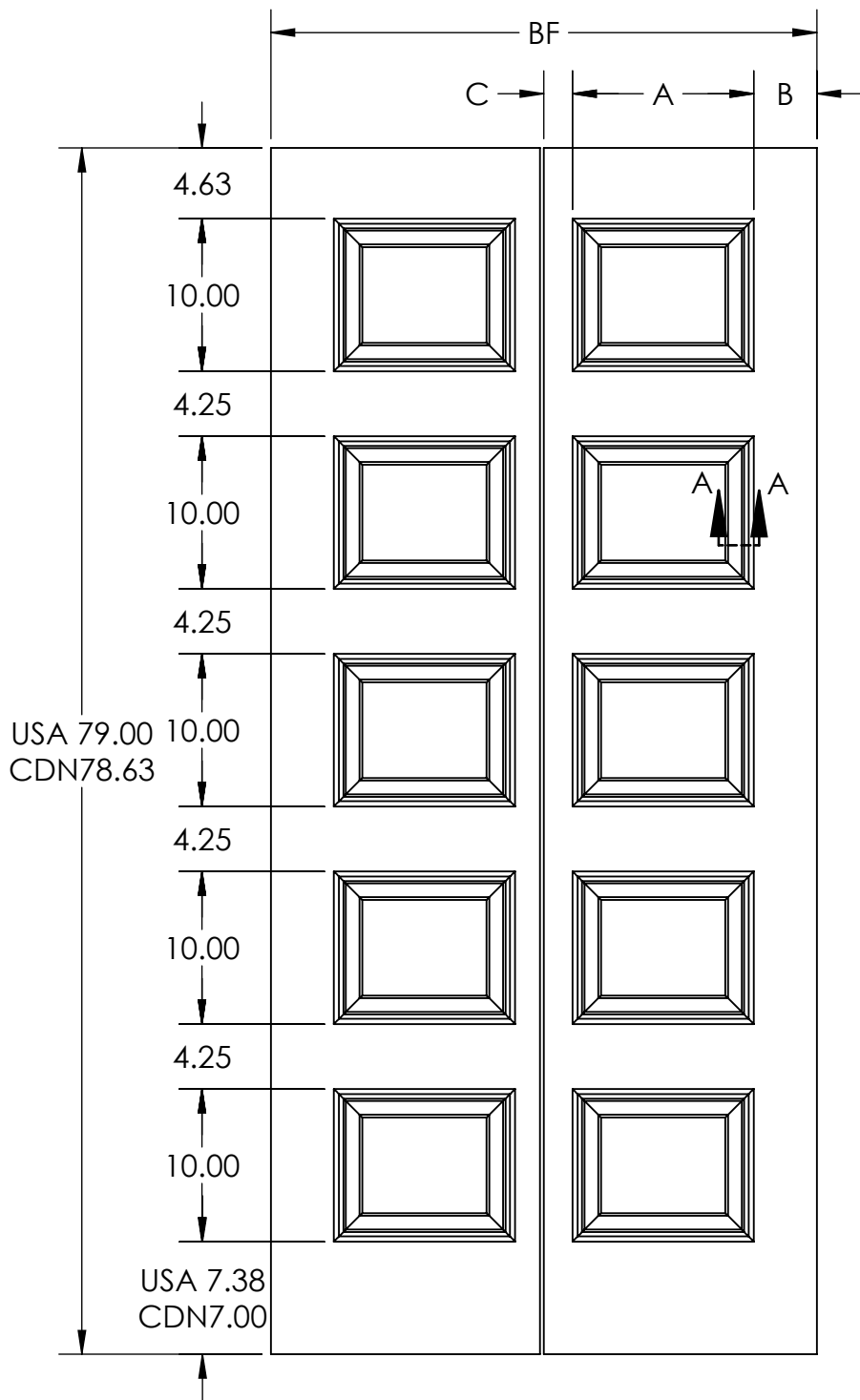
Molded Profile Door



DIMENSIONS ARE IN: Inches
 DOOR TOLERANCES
 WIDTH (FULL WIDTH): ±1/16
 WIDTH (PREFIT): ±1/32
 HEIGHT: ±1/16
 SQUARE: ±1/8

THE INFORMATION CONTAINED IN THIS DRAWING IS THE SOLE PROPERTY OF Lynden Door, Inc. ANY REPRODUCTION IN PART OR AS A WHOLE WITHOUT THE WRITTEN PERMISSION OF Lynden Door, Inc. IS PROHIBITED.

A04-00050.02/27/18



| Benton Bifold 6'8" | | | |
|--------------------|-------|------|------|
| BF | A | B | C |
| 3-0 | 11.88 | 4.12 | 1.88 |
| 2-8 | 11.88 | 2.12 | 1.88 |
| 2-6 | 8.88 | 4.12 | 1.88 |
| 2-4 | 8.88 | 3.12 | 1.88 |
| 2-0 | 5.88 | 4.12 | 1.88 |
| 1-8 | 5.88 | 2.12 | 1.88 |
| 1-6 | 5.88 | 1.63 | 1.37 |

Use of heavy duty hardware may require additional undercut. Lynden Door standard is 3/4"

Benton

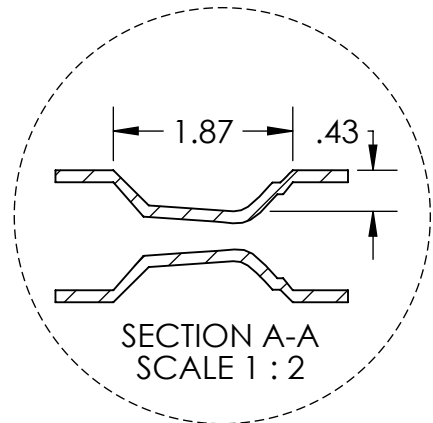
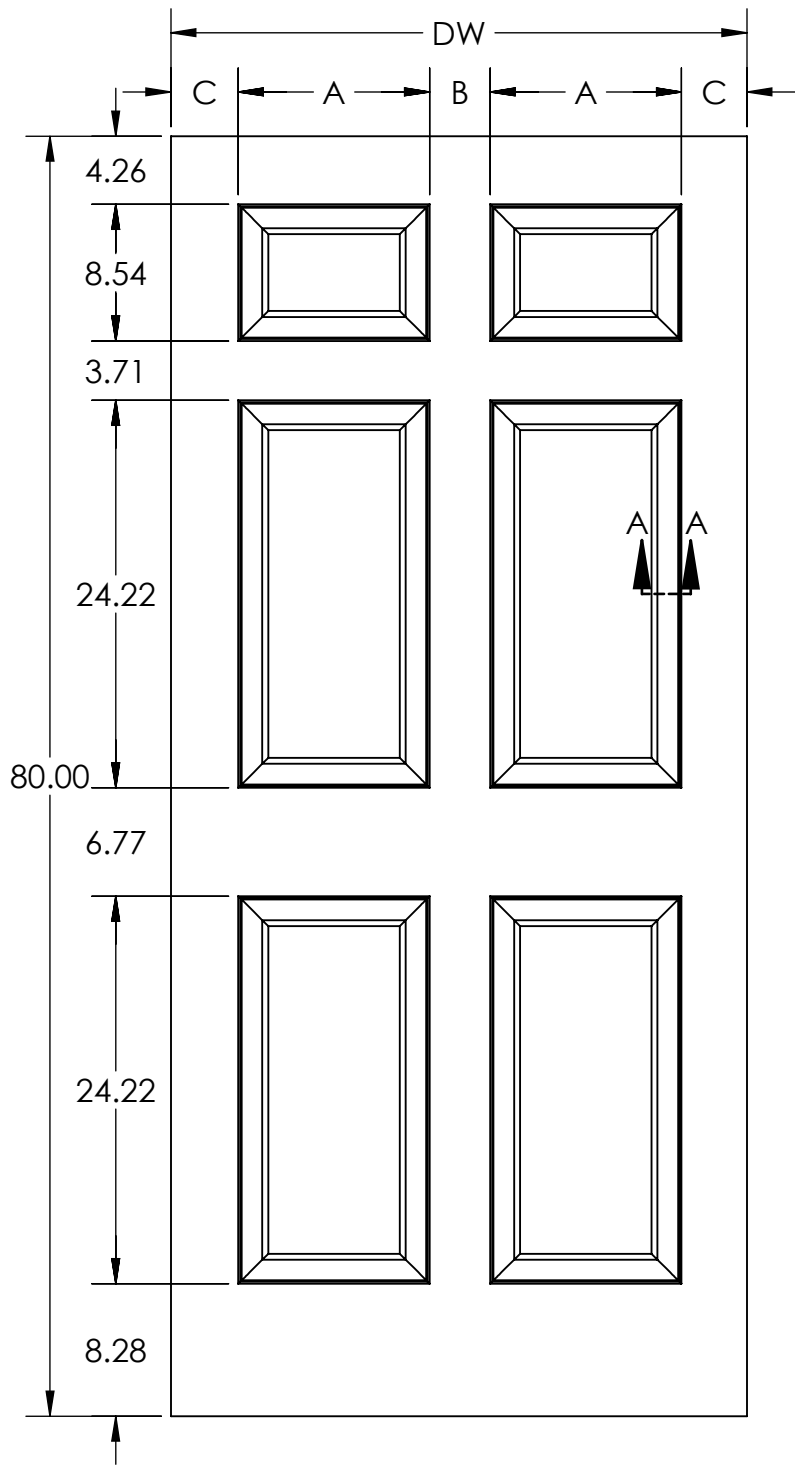
Molded Profile Bifold



DIMENSIONS ARE IN: inches
DOOR TOLERANCES
WIDTH (FULL WIDTH): ±1/16
WIDTH (PREFIT): ±1/32
HEIGHT: ±1/16
SQUARE: ±1/8

THE INFORMATION CONTAINED IN THIS DRAWING IS THE SOLE PROPERTY OF Lynden Door, Inc. ANY REPRODUCTION IN PART OR AS A WHOLE WITHOUT THE WRITTEN PERMISSION OF Lynden Door, Inc. IS PROHIBITED.

A04-00050.02/27/18



| Columbia 6'8" | | | |
|--|-------|------|------|
| All dimensions nominal before prefit and bevel. | | | |
| DW | A | B | C |
| 3-0 | 11.96 | 3.78 | 4.15 |
| 2-10 | 9.96 | 3.78 | 5.15 |
| 2-8 | 9.96 | 3.78 | 4.15 |
| 2-6 | 8.96 | 3.78 | 4.15 |
| 2-4 | 7.96 | 3.78 | 4.15 |
| 2-2 | 5.96 | 3.78 | 5.15 |
| 2-0 | 5.96 | 3.78 | 4.15 |
| 1-10 | 5.96 | 3.78 | 3.15 |
| Bottom rail dimension does not comply with ADA requirements. | | | |

Columbia (Smooth Colonist)

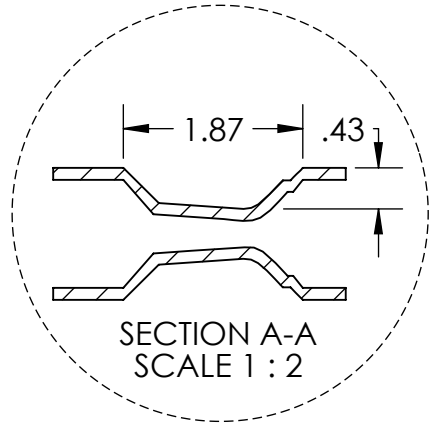
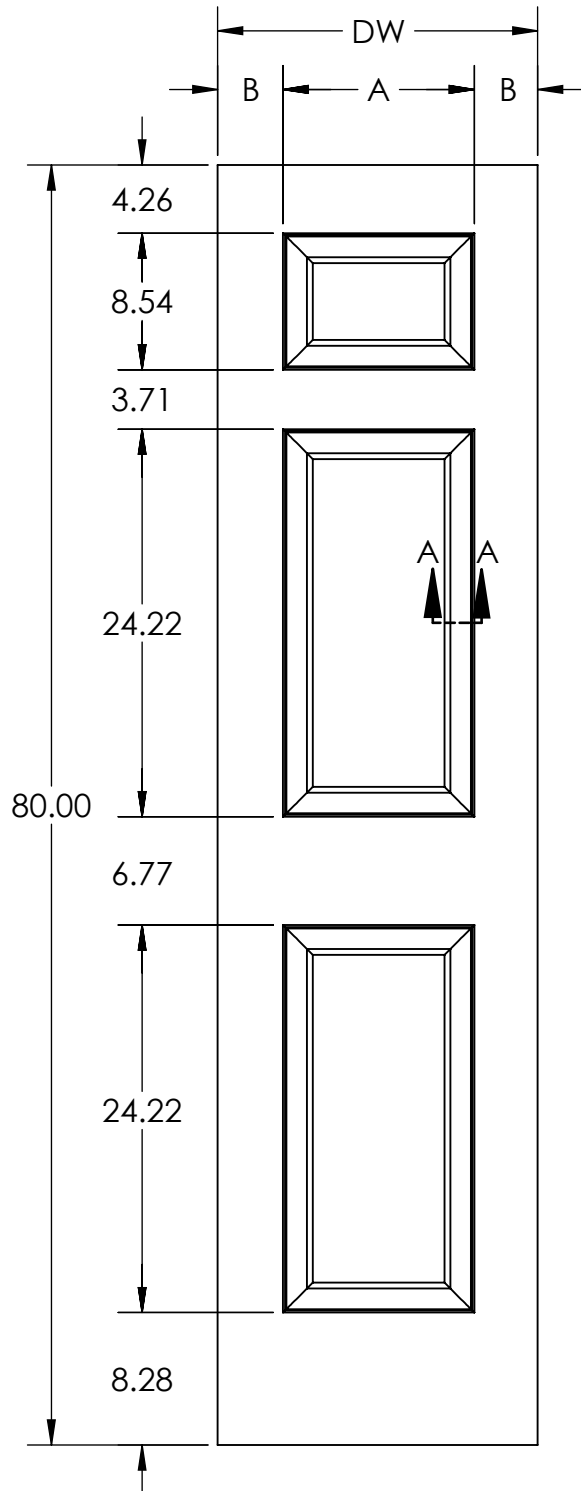
Molded Profile Door



DIMENSIONS ARE IN: Inches
 DOOR TOLERANCES
 WIDTH (FULL WIDTH): $\pm 1/16$
 WIDTH (PREFIT): $\pm 1/32$
 HEIGHT: $\pm 1/16$
 SQUARE: $\pm 1/8$

THE INFORMATION CONTAINED IN THIS DRAWING IS THE SOLE PROPERTY OF Lynden Door, Inc. ANY REPRODUCTION IN PART OR AS A WHOLE WITHOUT THE WRITTEN PERMISSION OF Lynden Door, Inc. IS PROHIBITED.

A04-00044 01/15/19



| Columbia 6'8" | | |
|--|-------|------|
| All dimensions nominal before prefit and bevel. | | |
| DW | A | B |
| 1-8 | 11.96 | 4.02 |
| 1-6 | 11.96 | 3.02 |
| 1-4 | 7.08 | 4.46 |
| Bottom rail dimension does not comply with ADA requirements. | | |

Columbia (Smooth Colonist)

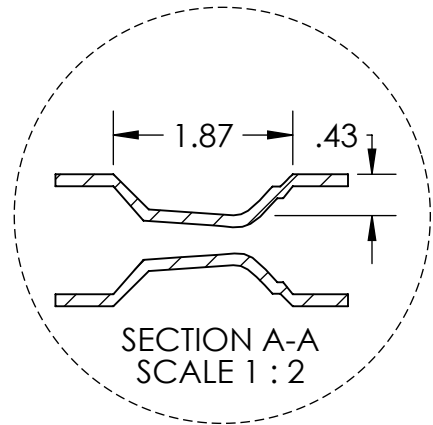
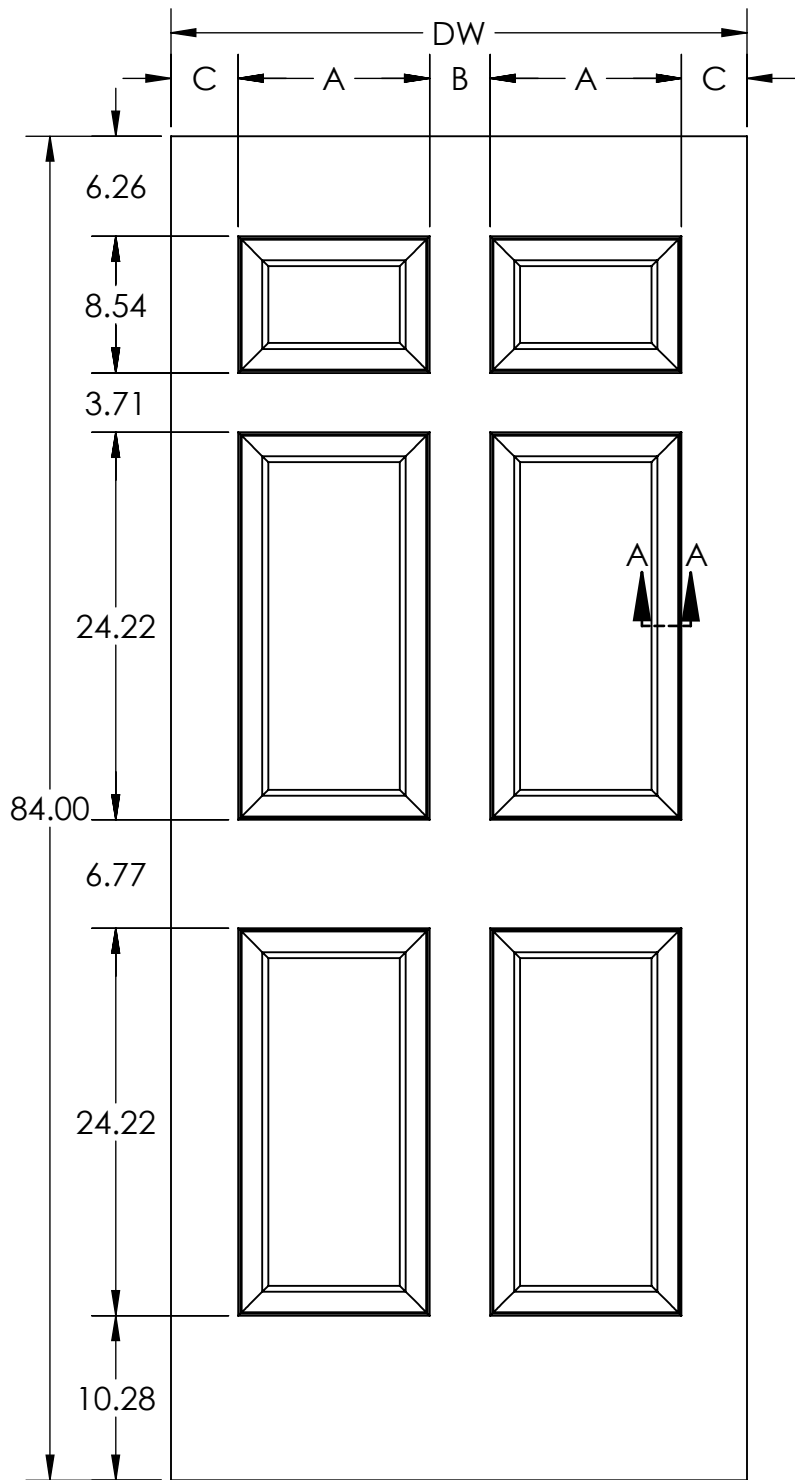
Molded Profile Door



DIMENSIONS ARE IN: inches
DOOR TOLERANCES
WIDTH (FULL WIDTH): ±1/16
WIDTH (PREFIT): ±1/32
HEIGHT: ±1/16
SQUARE: ±1/8

THE INFORMATION CONTAINED IN THIS DRAWING IS THE SOLE PROPERTY OF Lynden Door, Inc. ANY REPRODUCTION IN PART OR AS A WHOLE WITHOUT THE WRITTEN PERMISSION OF Lynden Door, Inc. IS PROHIBITED.

A04-00044 01/15/19



| Columbia 7'0" | | | |
|---|-------|------|------|
| All dimensions nominal before prefit and bevel. | | | |
| DW | A | B | C |
| 3-0 | 11.96 | 3.78 | 4.15 |
| 2-10 | 9.96 | 3.78 | 5.15 |
| 2-8 | 9.96 | 3.78 | 4.15 |
| 2-6 | 8.96 | 3.78 | 4.15 |
| 2-4 | 7.96 | 3.78 | 4.15 |
| 2-2 | 5.96 | 3.78 | 5.15 |
| 2-0 | 5.96 | 3.78 | 4.15 |
| 1-10 | 5.96 | 3.78 | 3.15 |
| Bottom rail dimension complies with ADA requirements. | | | |

Columbia (Smooth Colonist)

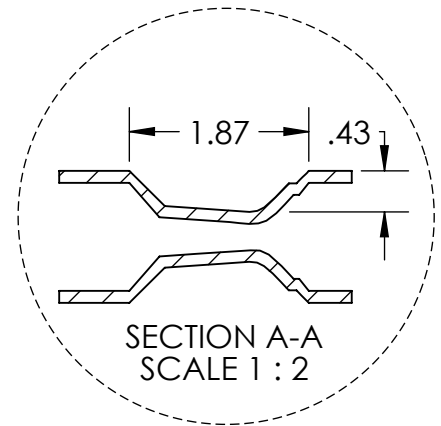
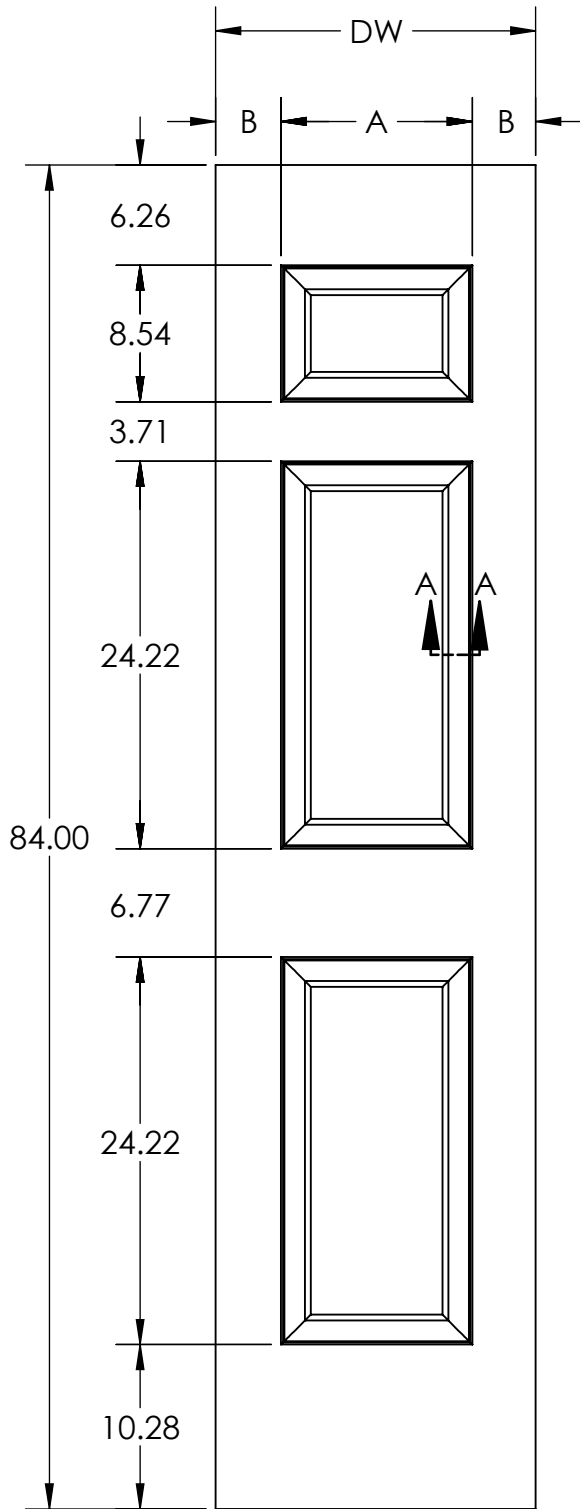
Molded Profile Door



DIMENSIONS ARE IN: Inches
 DOOR TOLERANCES
 WIDTH (FULL WIDTH): ±1/16
 WIDTH (PREFIT): ±1/32
 HEIGHT: ±1/16
 SQUARE: ±1/8

THE INFORMATION CONTAINED IN THIS DRAWING IS THE SOLE PROPERTY OF Lynden Door, Inc. ANY REPRODUCTION IN PART OR AS A WHOLE WITHOUT THE WRITTEN PERMISSION OF Lynden Door, Inc. IS PROHIBITED.

A04-00044 01/15/19



| Columbia 7'0" | | |
|---|-------|------|
| All dimensions nominal before prefit and bevel. | | |
| DW | A | B |
| 1-8 | 11.96 | 4.02 |
| 1-6 | 11.96 | 3.02 |
| 1-4* | 7.08 | 4.46 |
| Bottom rail dimension complies with ADA requirements. | | |
| *Non-Stock, Contact factory for pricing and availability. | | |

Columbia (Smooth Colonist)

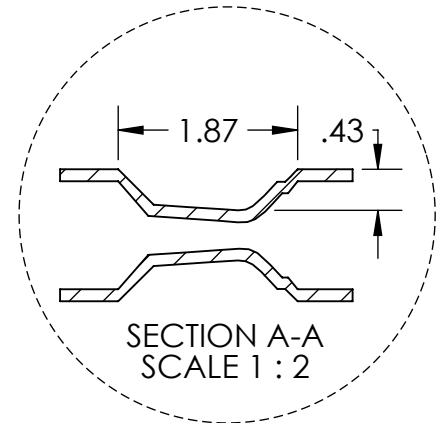
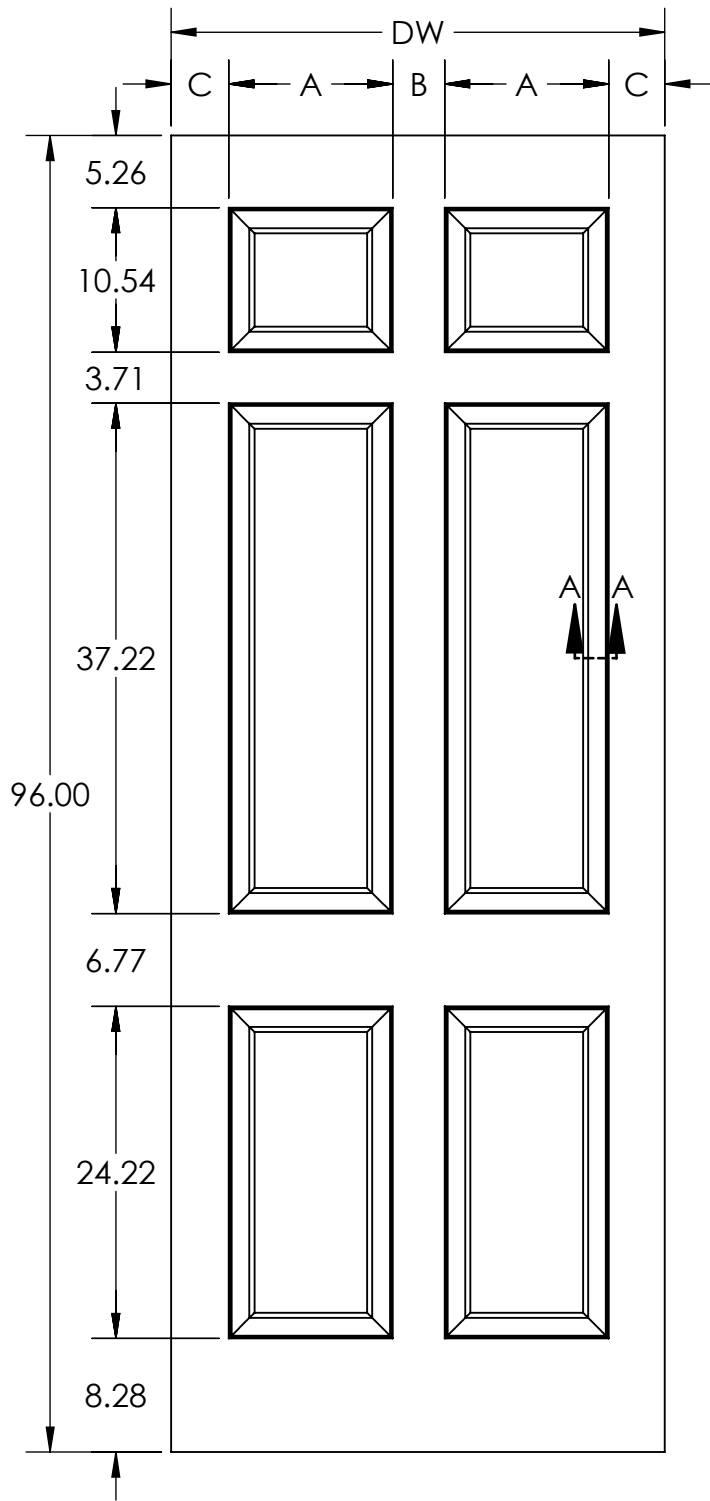
Molded Profile Door



DIMENSIONS ARE IN: Inches
 DOOR TOLERANCES
 WIDTH (FULL WIDTH): ±1/16
 WIDTH (PREFIT): ±1/32
 HEIGHT: ±1/16
 SQUARE: ±1/8

THE INFORMATION CONTAINED IN THIS DRAWING IS THE SOLE PROPERTY OF Lynden Door, Inc. ANY REPRODUCTION IN PART OR AS A WHOLE WITHOUT THE WRITTEN PERMISSION OF Lynden Door, Inc. IS PROHIBITED.

A04-00044 01/15/19



| Columbia 8'0" | | | |
|--|-------|------|------|
| All dimensions nominal before prefit and bevel. | | | |
| DW | A | B | C |
| 3-0 | 11.96 | 3.78 | 4.15 |
| 2-10* | 11.96 | 3.78 | 3.15 |
| 2-8 | 9.96 | 3.78 | 4.15 |
| 2-6 | 8.96 | 3.78 | 4.15 |
| 2-4 | 7.96 | 3.78 | 4.15 |
| 2-2* | 7.96 | 3.78 | 3.15 |
| 2-0 | 5.96 | 3.78 | 4.15 |
| 1-10 | 5.96 | 3.78 | 3.15 |
| Bottom rail dimension does not comply with ADA requirements. | | | |
| * Contact factory regarding availability of wider stile options. | | | |

Columbia (Smooth Colonist)

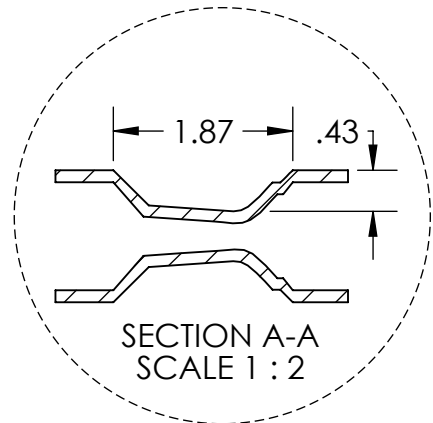
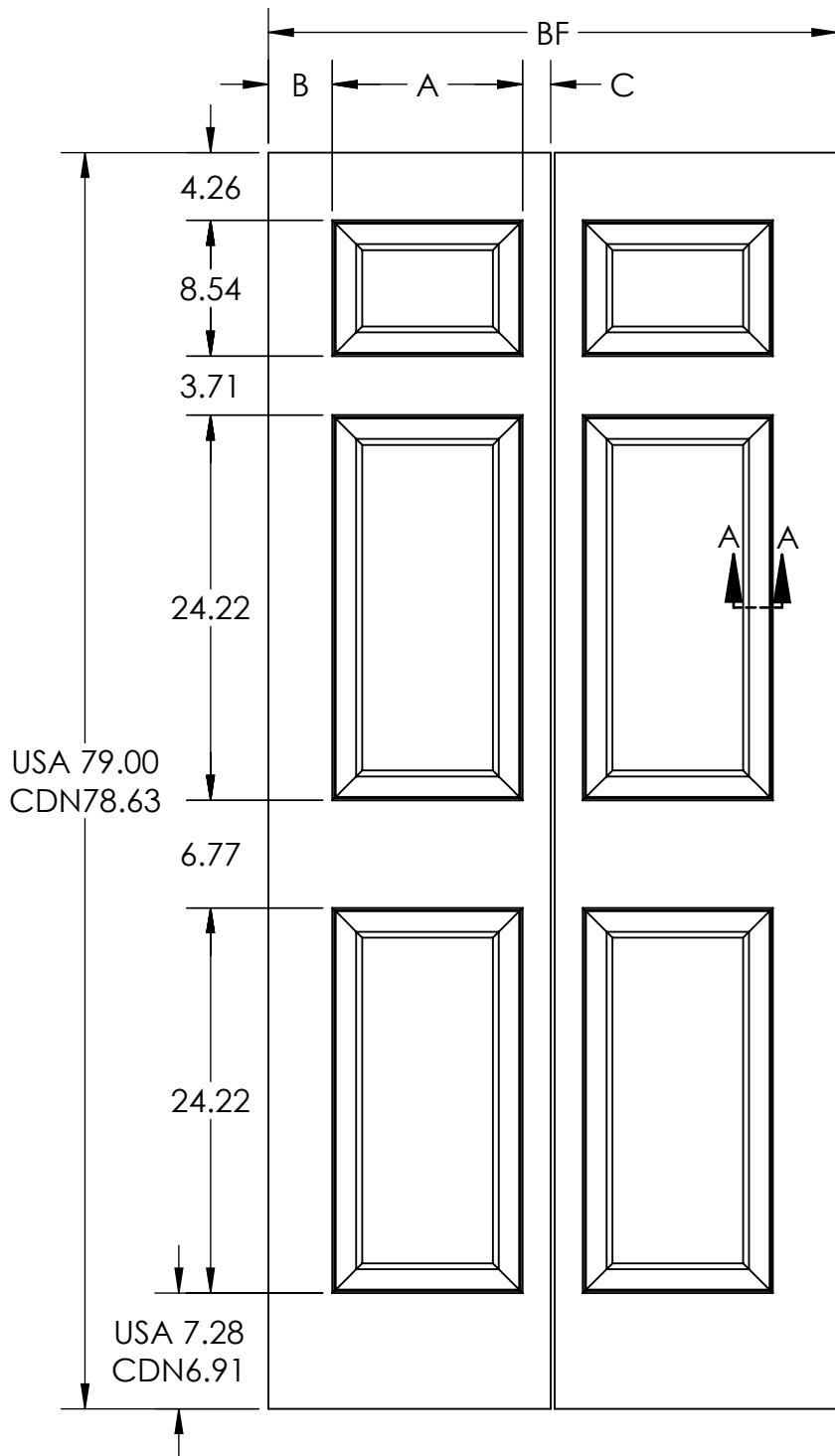
Molded Profile Door



DIMENSIONS ARE IN: inches
 DOOR TOLERANCES
 WIDTH (FULL WIDTH): ±1/16
 WIDTH (PREFIT): ±1/32
 HEIGHT: ±1/16
 SQUARE: ±1/8

THE INFORMATION CONTAINED IN THIS DRAWING IS THE SOLE PROPERTY OF Lynden Door, Inc. ANY REPRODUCTION IN PART OR AS A WHOLE WITHOUT THE WRITTEN PERMISSION OF Lynden Door, Inc. IS PROHIBITED.

A04-00044 01/15/19



| Columbia Bifold 6'8" | | | |
|----------------------|-------|------|------|
| BF | A | B | C |
| 3-0 | 11.96 | 4.02 | 1.77 |
| 2-8 | 9.96 | 4.02 | 1.77 |
| 2-6 | 8.96 | 4.02 | 1.77 |
| 2-4 | 7.96 | 4.02 | 1.77 |
| 2-0 | 5.96 | 4.02 | 1.77 |
| 1-8 | 5.96 | 2.02 | 1.77 |
| 1-6 | 5.96 | 1.77 | 1.02 |

Use of heavy duty hardware may require additional undercut. Lynden Door standard is 3/4"

Columbia (Smooth Colonist)

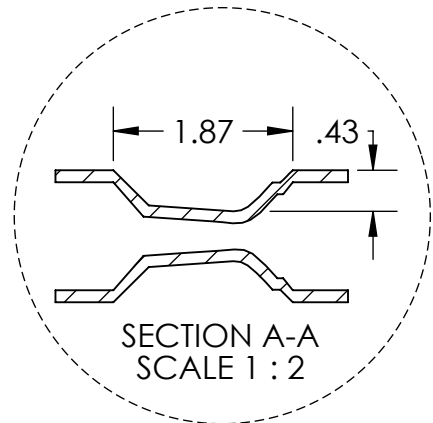
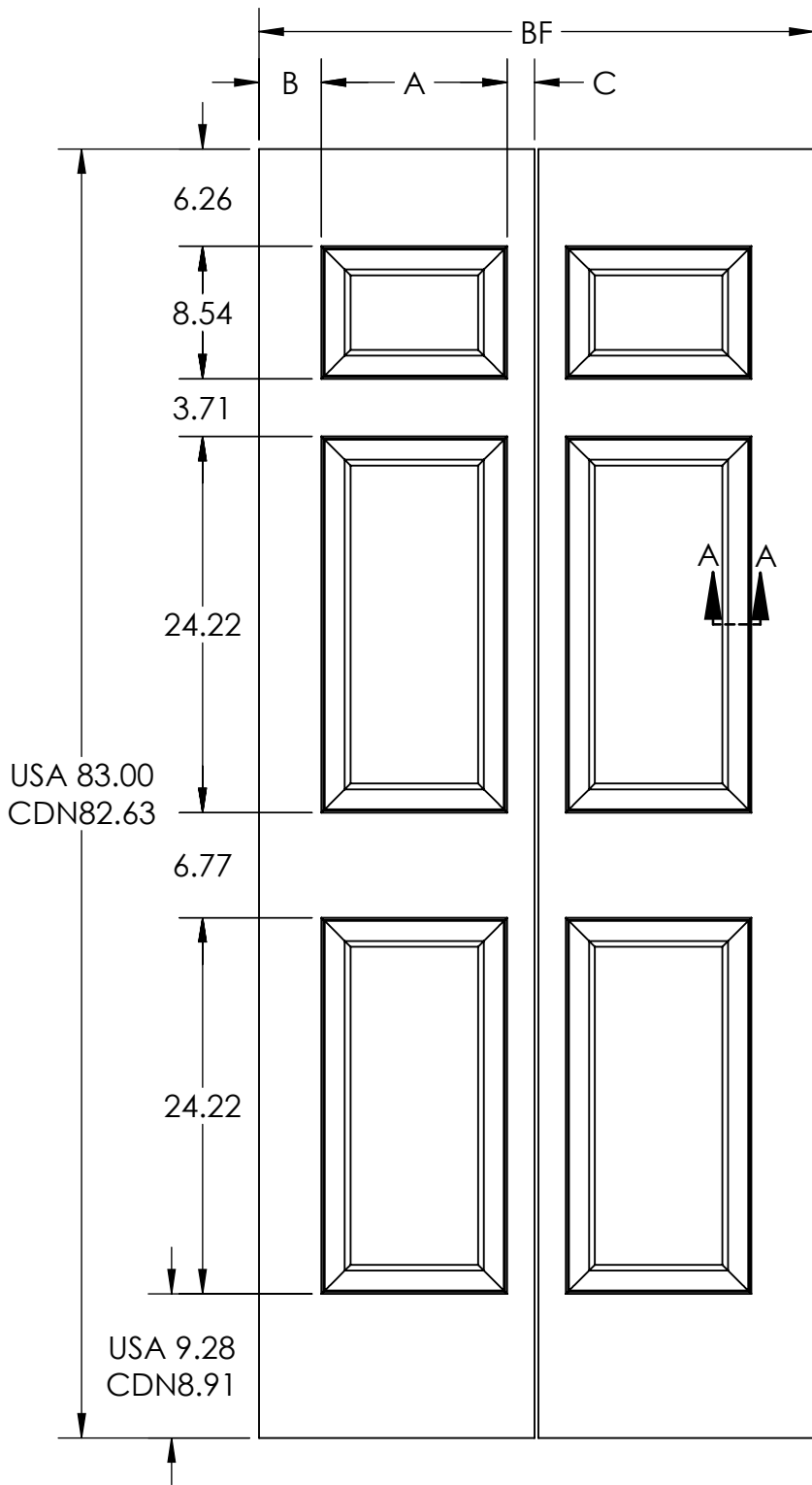
Molded Profile Bifold



DIMENSIONS ARE IN: inches
DOOR TOLERANCES
WIDTH (FULL WIDTH): ±1/16
WIDTH (PREFIT): ±1/32
HEIGHT: ±1/16
SQUARE: ±1/8

THE INFORMATION CONTAINED IN THIS DRAWING IS THE SOLE PROPERTY OF Lynden Door, Inc. ANY REPRODUCTION IN PART OR AS A WHOLE WITHOUT THE WRITTEN PERMISSION OF Lynden Door, Inc. IS PROHIBITED.

A04-00044 01/15/19



| Columbia Bifold 7'0" | | | |
|----------------------|-------|------|------|
| BF | A | B | C |
| 3-0 | 11.96 | 4.02 | 1.77 |
| 2-8 | 9.96 | 4.02 | 1.77 |
| 2-6 | 8.96 | 4.02 | 1.77 |
| 2-4 | 7.96 | 4.02 | 1.77 |
| 2-0 | 5.96 | 4.02 | 1.77 |
| 1-8 | 5.96 | 2.02 | 1.77 |
| 1-6 | 5.96 | 1.77 | 1.02 |

Use of heavy duty hardware may require additional undercut. Lynden Door standard is 3/4"

Columbia (Smooth Colonist)

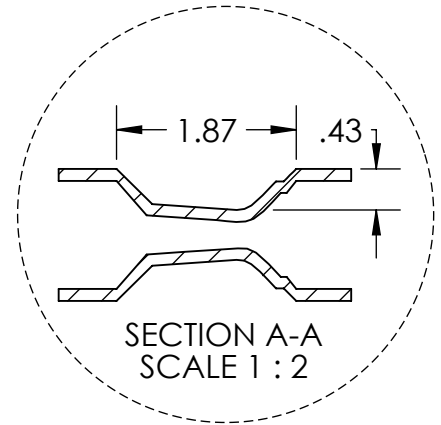
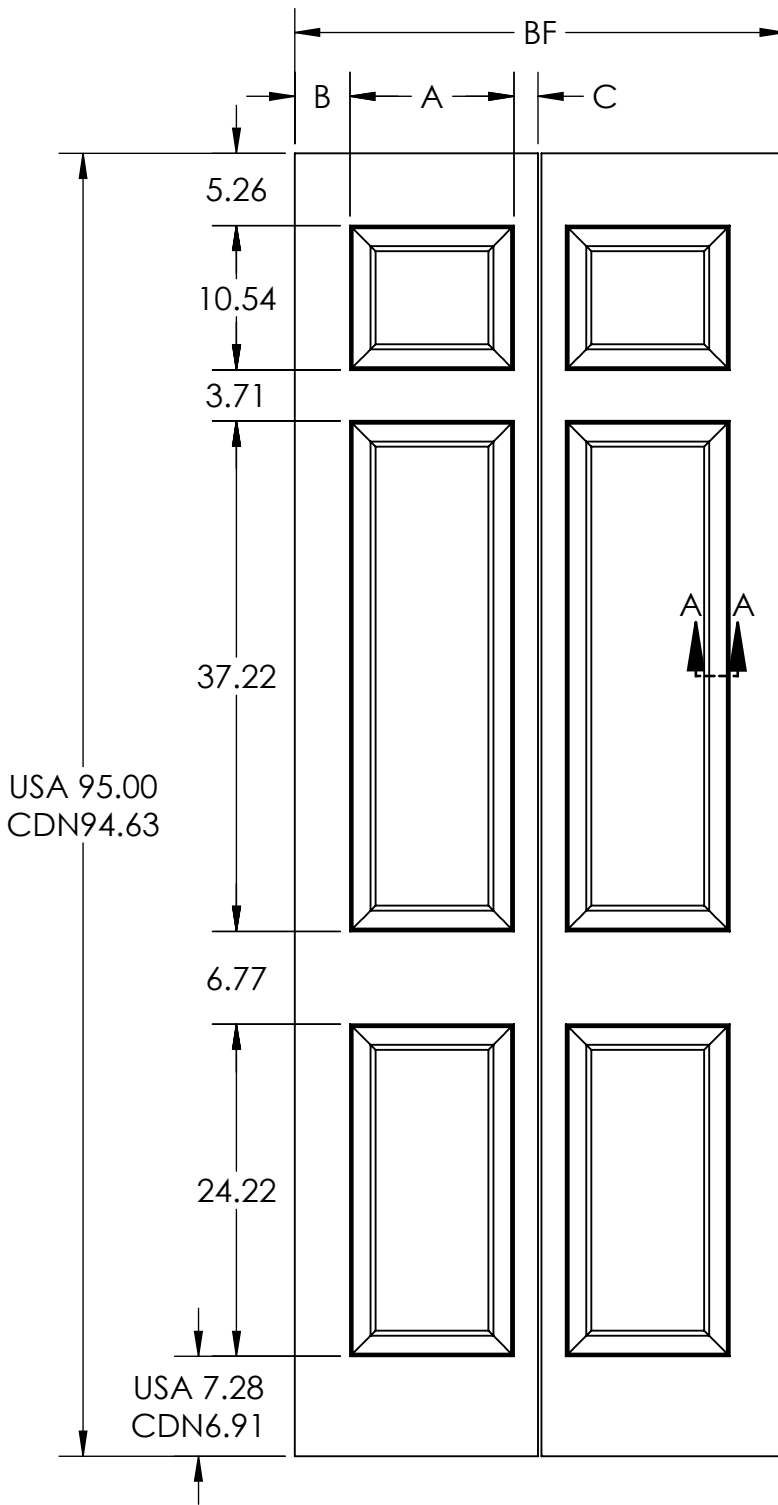
Molded Profile Bifold



DIMENSIONS ARE IN: Inches
 DOOR TOLERANCES
 WIDTH (FULL WIDTH): ±1/16
 WIDTH (PREFIT): ±1/32
 HEIGHT: ±1/16
 SQUARE: ±1/8

THE INFORMATION CONTAINED IN THIS DRAWING IS THE SOLE PROPERTY OF Lynden Door, Inc. ANY REPRODUCTION IN PART OR AS A WHOLE WITHOUT THE WRITTEN PERMISSION OF Lynden Door, Inc. IS PROHIBITED.

A04-00044 01/15/19



| Columbia Bifold 8'0" | | | |
|----------------------|-------|------|------|
| BF | A | B | C |
| 3-0 | 11.96 | 4.02 | 1.77 |
| 2-8 | 9.96 | 4.02 | 1.77 |
| 2-6 | 8.96 | 4.02 | 1.77 |
| 2-4 | 7.96 | 4.02 | 1.77 |
| 2-0 | 5.96 | 4.02 | 1.77 |
| 1-8 | 5.96 | 2.02 | 1.77 |
| 1-6 | 5.96 | 1.77 | 1.02 |

Use of heavy duty hardware may require additional undercut. Lynden Door standard is 3/4"

Columbia (Smooth Colonist)

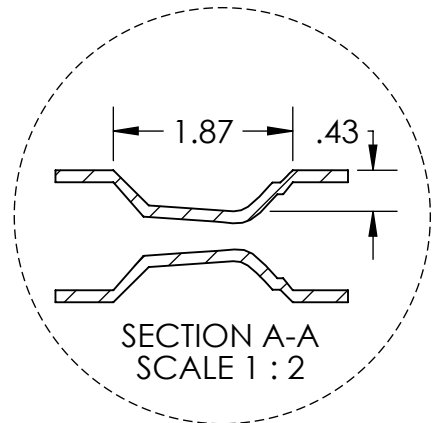
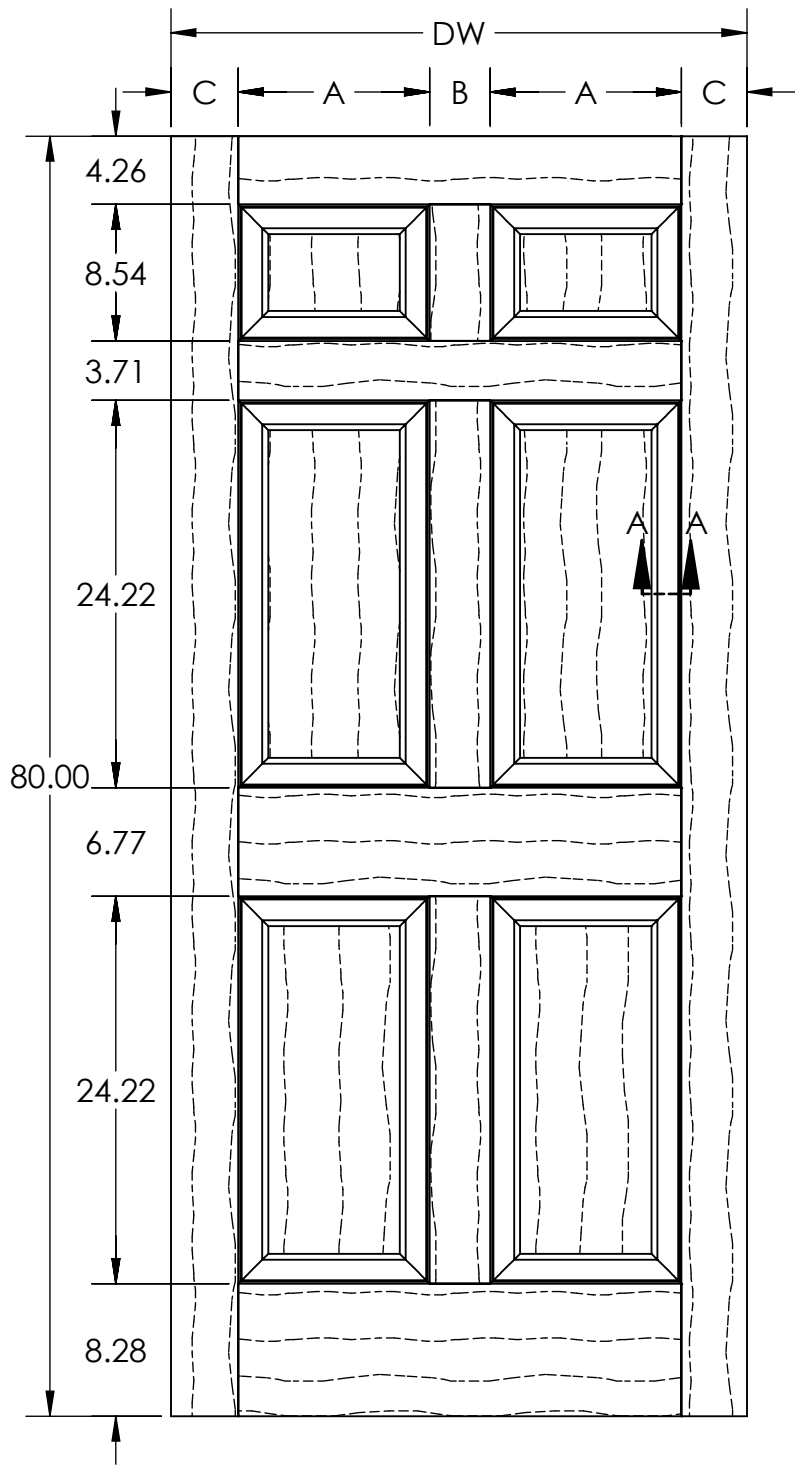
Molded Profile Bifold



DIMENSIONS ARE IN: inches
 DOOR TOLERANCES
 WIDTH (FULL WIDTH): ±1/16
 WIDTH (PREFIT): ±1/32
 HEIGHT: ±1/16
 SQUARE: ±1/8

THE INFORMATION CONTAINED IN THIS DRAWING IS THE SOLE PROPERTY OF Lynden Door, Inc. ANY REPRODUCTION IN PART OR AS A WHOLE WITHOUT THE WRITTEN PERMISSION OF Lynden Door, Inc. IS PROHIBITED.

A04-00044 01/15/19



| Bonneville 6'8" | | | |
|--|-------|------|------|
| All dimensions nominal before prefit and bevel. | | | |
| DW | A | B | C |
| 3-0 | 11.96 | 3.78 | 4.15 |
| 2-10 | 9.96 | 3.78 | 5.15 |
| 2-8 | 9.96 | 3.78 | 4.15 |
| 2-6 | 8.96 | 3.78 | 4.15 |
| 2-4 | 7.96 | 3.78 | 4.15 |
| 2-2 | 5.96 | 3.78 | 5.15 |
| 2-0 | 5.96 | 3.78 | 4.15 |
| 1-10 | 5.96 | 3.78 | 3.15 |
| Bottom rail dimension does not comply with ADA requirements. | | | |

Bonneville (Textured Colonist)

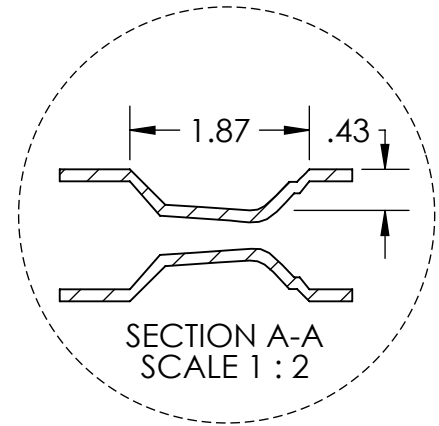
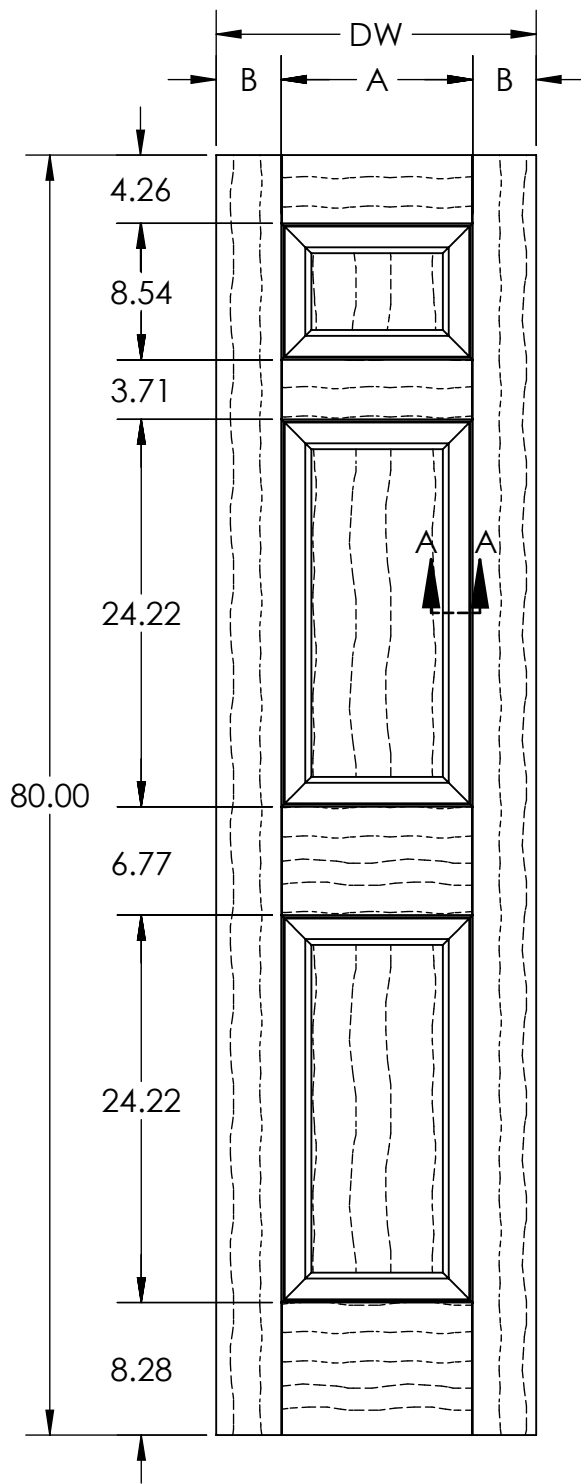
Molded Profile Door



DIMENSIONS ARE IN: inches
 DOOR TOLERANCES
 WIDTH (FULL WIDTH): ±1/16
 WIDTH (PREFIT): ±1/32
 HEIGHT: ±1/16
 SQUARE: ±1/8

THE INFORMATION CONTAINED IN THIS DRAWING IS THE SOLE PROPERTY OF Lynden Door, Inc. ANY REPRODUCTION IN PART OR AS A WHOLE WITHOUT THE WRITTEN PERMISSION OF Lynden Door, Inc. IS PROHIBITED.

A04-00044 01/15/19



| Bonneville 6'8" | | |
|--|-------|------|
| All dimensions nominal before prefit and bevel. | | |
| DW | A | B |
| 1-8 | 11.96 | 4.02 |
| 1-6 | 11.96 | 3.02 |
| 1-4 | 7.08 | 4.46 |
| Bottom rail dimension does not comply with ADA requirements. | | |

Bonneville (Textured Colonist)

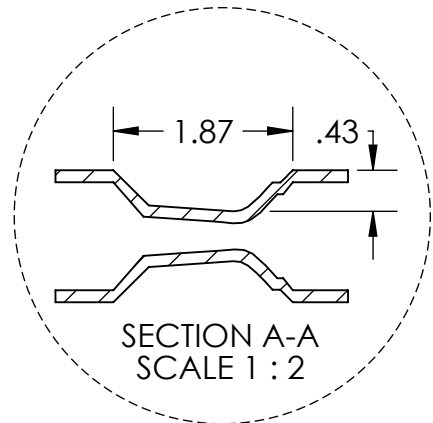
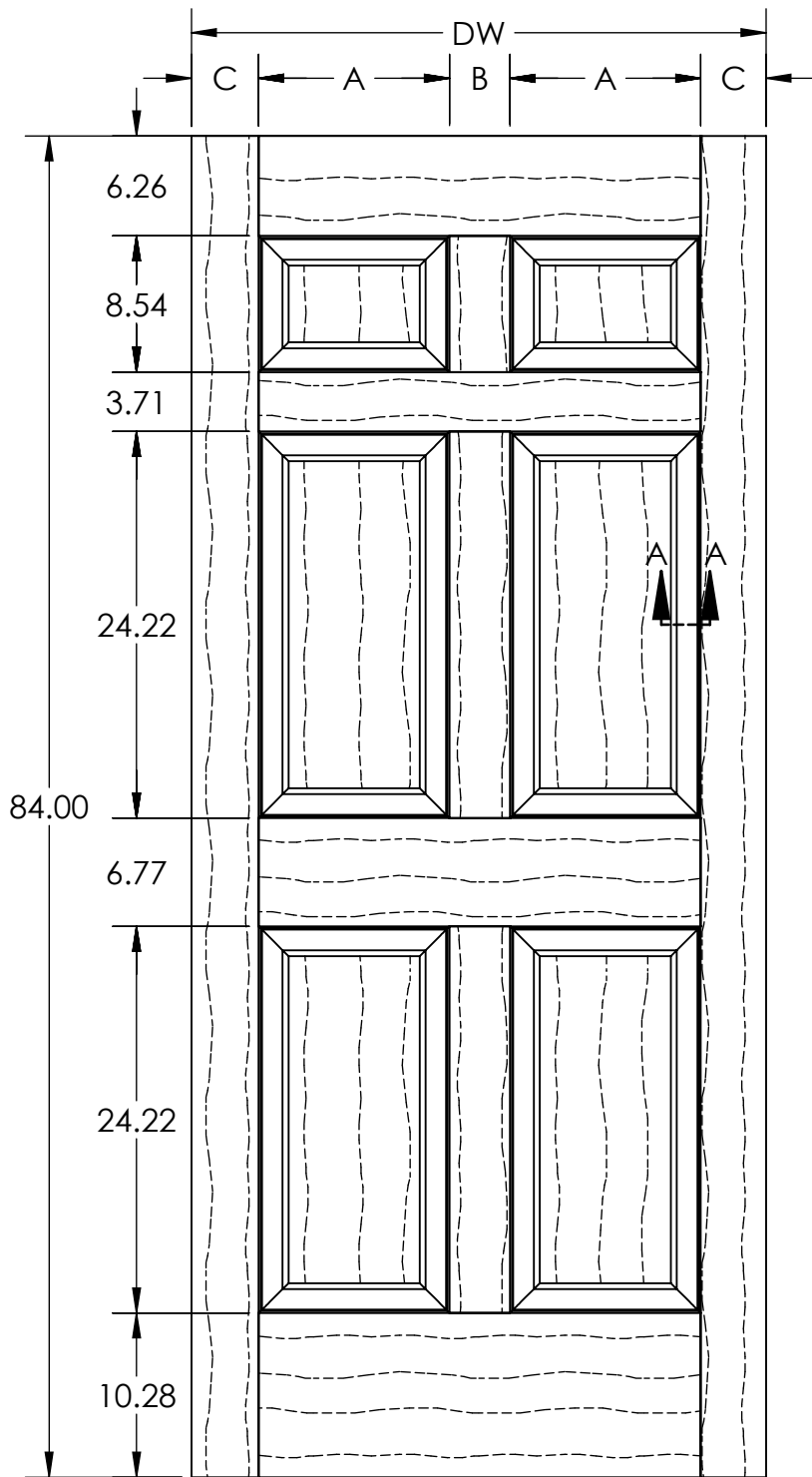
Molded Profile Door



DIMENSIONS ARE IN: inches
 DOOR TOLERANCES
 WIDTH (FULL WIDTH): ±1/16
 WIDTH (PREFIT): ±1/32
 HEIGHT: ±1/16
 SQUARE: ±1/8

THE INFORMATION CONTAINED IN THIS DRAWING IS THE SOLE PROPERTY OF Lynden Door, Inc. ANY REPRODUCTION IN PART OR AS A WHOLE WITHOUT THE WRITTEN PERMISSION OF Lynden Door, Inc. IS PROHIBITED.

A04-00044 01/15/19



| Bonneville 7'0" | | | |
|--|-------|------|------|
| All dimensions nominal before prefit and bevel. | | | |
| DW | A | B | C |
| 3-0 | 11.96 | 3.78 | 4.15 |
| 2-10 | 9.96 | 3.78 | 5.15 |
| 2-8 | 9.96 | 3.78 | 4.15 |
| 2-6 | 8.96 | 3.78 | 4.15 |
| 2-4 | 7.96 | 3.78 | 4.15 |
| 2-2* | 7.96 | 3.78 | 4.15 |
| 2-0 | 5.96 | 3.78 | 4.15 |
| 1-10 | 5.96 | 3.78 | 3.15 |
| Bottom rail dimension complies with ADA requirements. | | | |
| * Contact factory regarding availability of wider stile options. | | | |

Bonneville (Textured Colonist)

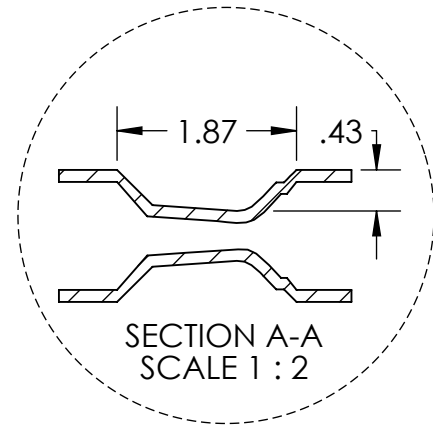
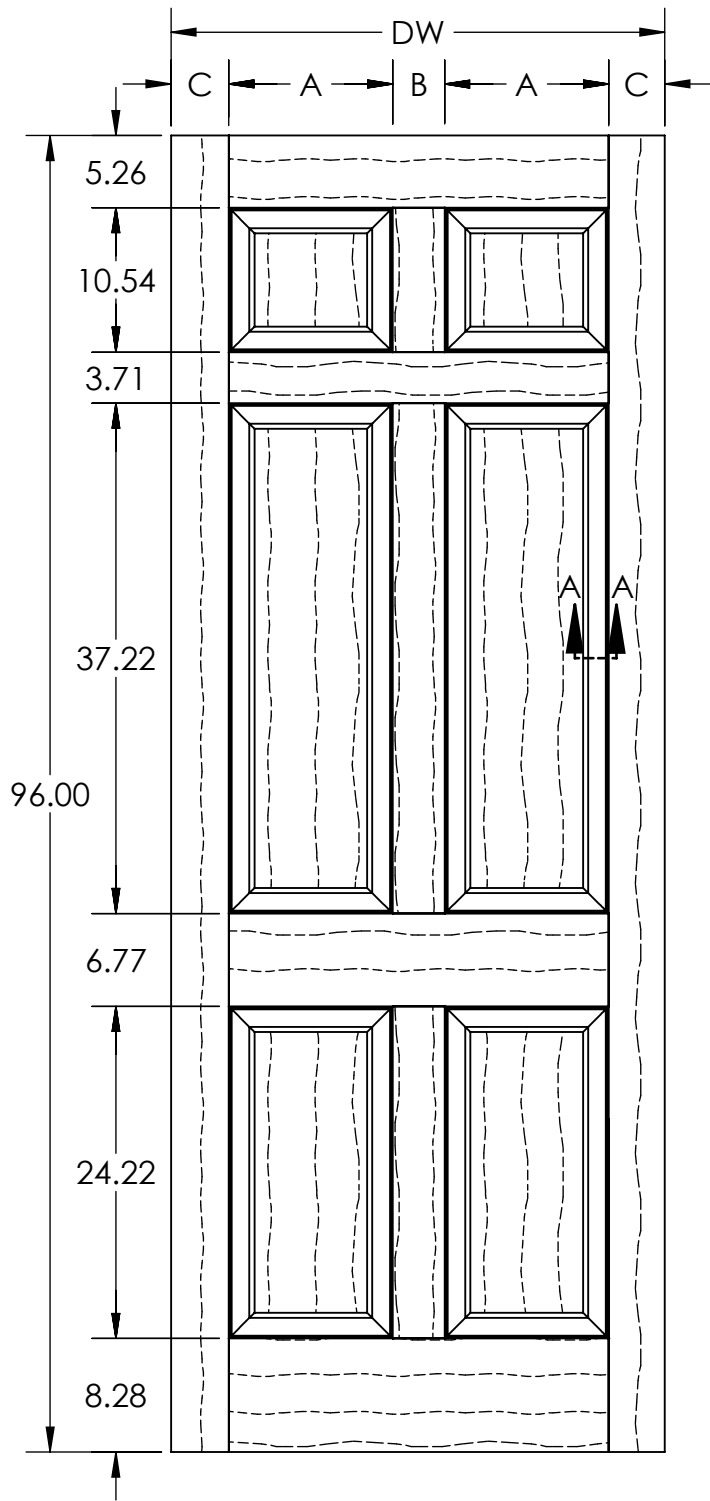
Molded Profile Door



DIMENSIONS ARE IN: inches
 DOOR TOLERANCES
 WIDTH (FULL WIDTH): ±1/16
 WIDTH (PREFIT): ±1/32
 HEIGHT: ±1/16
 SQUARE: ±1/8

THE INFORMATION CONTAINED IN THIS DRAWING IS THE SOLE PROPERTY OF Lynden Door, Inc. ANY REPRODUCTION IN PART OR AS A WHOLE WITHOUT THE WRITTEN PERMISSION OF Lynden Door, Inc. IS PROHIBITED.

A04-00044 01/15/19



| Bonneville 8'0" | | | |
|--|-------|------|------|
| All dimensions nominal before prefit and bevel. | | | |
| DW | A | B | C |
| 3-0 | 11.96 | 3.78 | 4.15 |
| 2-10* | 11.96 | 3.78 | 3.15 |
| 2-8 | 9.96 | 3.78 | 4.15 |
| 2-6 | 8.96 | 3.78 | 4.15 |
| 2-4 | 7.96 | 3.78 | 4.15 |
| 2-2* | 7.96 | 3.78 | 3.15 |
| 2-0 | 5.96 | 3.78 | 4.15 |
| 1-10 | 5.96 | 3.78 | 3.15 |
| Bottom rail dimension does not comply with ADA requirements. | | | |
| * Contact factory regarding availability of wider stile options. | | | |

Bonneville (Textured Colonist)

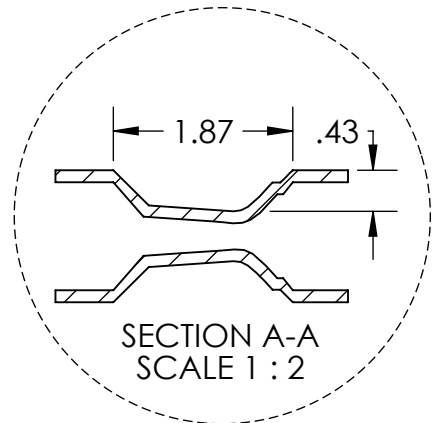
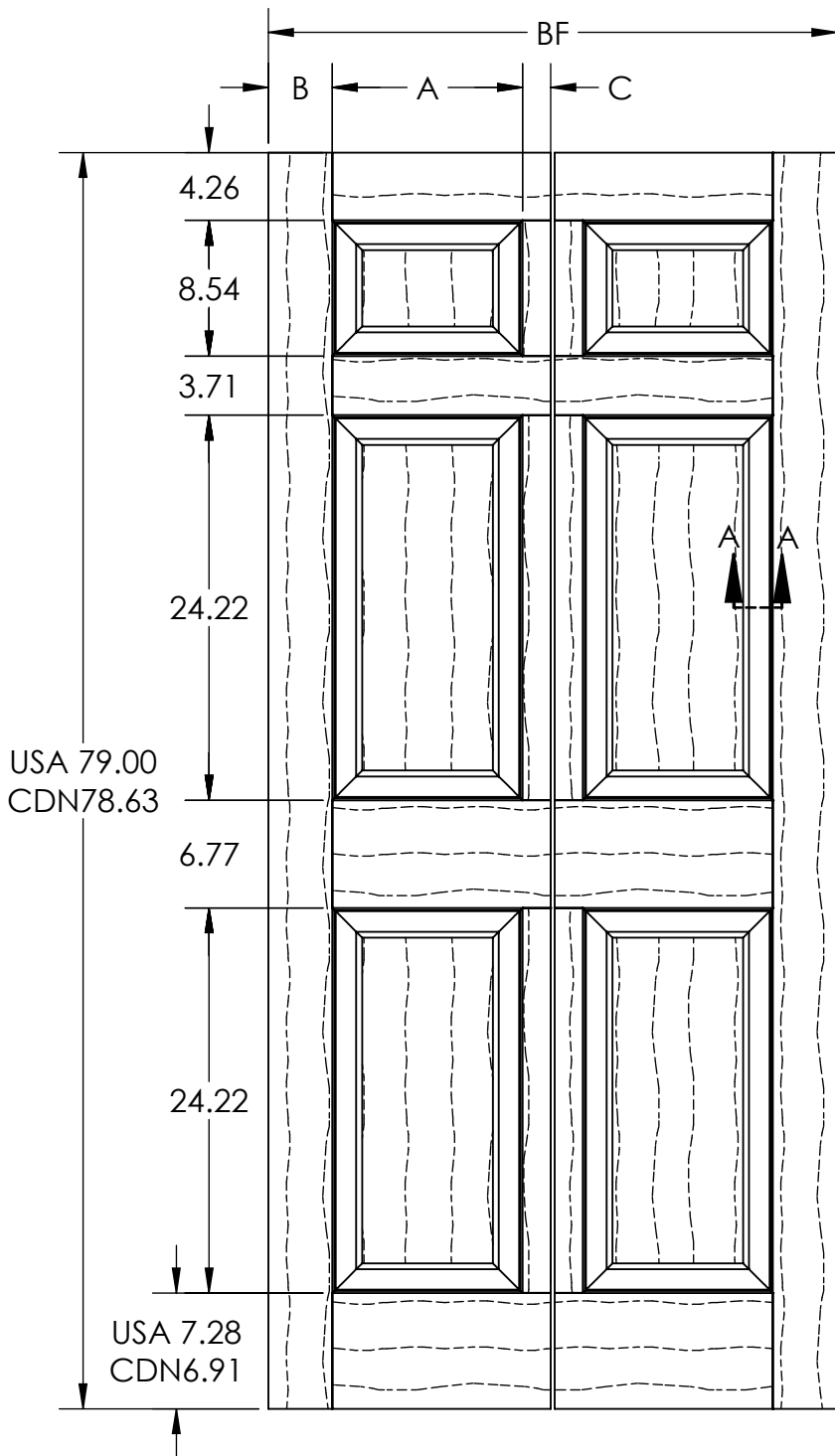
Molded Profile Door



DIMENSIONS ARE IN: inches
 DOOR TOLERANCES
 WIDTH (FULL WIDTH): ±1/16
 WIDTH (PREFIT): ±1/32
 HEIGHT: ±1/16
 SQUARE: ±1/8

THE INFORMATION CONTAINED IN THIS DRAWING IS THE SOLE PROPERTY OF Lynden Door, Inc. ANY REPRODUCTION IN PART OR AS A WHOLE WITHOUT THE WRITTEN PERMISSION OF Lynden Door, Inc. IS PROHIBITED.

A04-00044 01/15/19



| Bonneville Bifold 6'8" | | | |
|------------------------|-------|------|------|
| BF | A | B | C |
| 3-0 | 11.96 | 4.02 | 1.77 |
| 2-8 | 9.96 | 4.02 | 1.77 |
| 2-6 | 8.96 | 4.02 | 1.77 |
| 2-4 | 7.96 | 4.02 | 1.77 |
| 2-0 | 5.96 | 4.02 | 1.77 |
| 1-8 | 5.96 | 2.02 | 1.77 |
| 1-6 | 4.81 | 2.91 | 1.03 |

Use of heavy duty hardware may require additional undercut. Lynden Door standard is 3/4"

Bonneville (Textured Colonist)

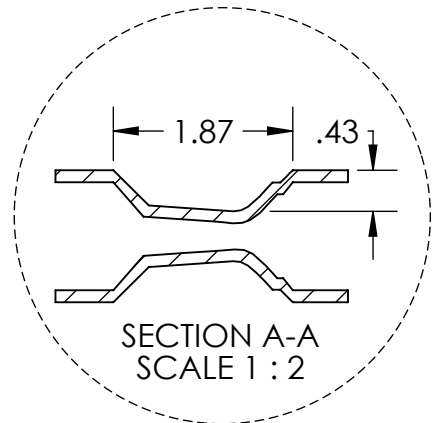
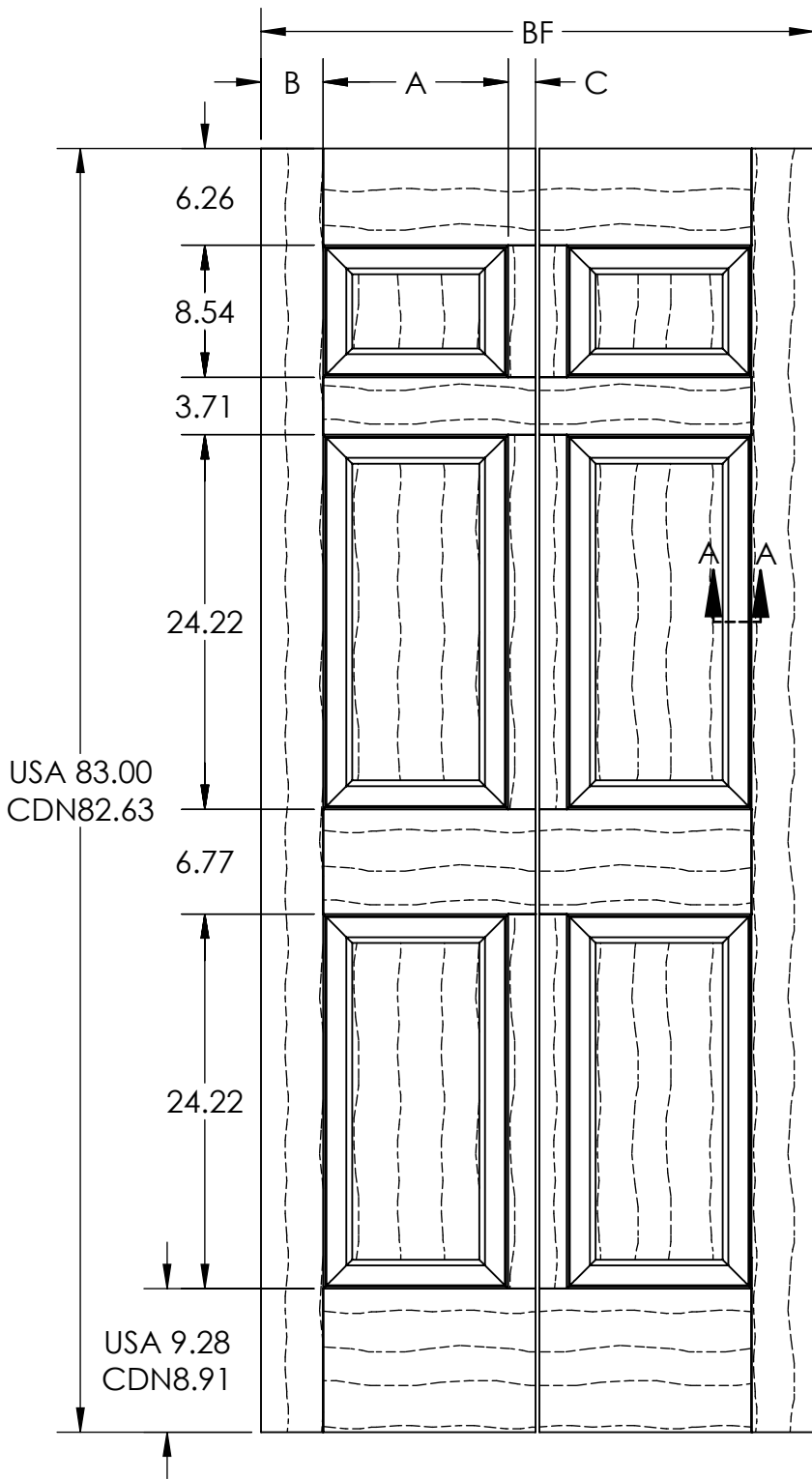
Molded Profile Bifold



DIMENSIONS ARE IN: inches
DOOR TOLERANCES
WIDTH (FULL WIDTH): ±1/16
WIDTH (PREFIT): ±1/32
HEIGHT: ±1/16
SQUARE: ±1/8

THE INFORMATION CONTAINED IN THIS DRAWING IS THE SOLE PROPERTY OF Lynden Door, Inc. ANY REPRODUCTION IN PART OR AS A WHOLE WITHOUT THE WRITTEN PERMISSION OF Lynden Door, Inc. IS PROHIBITED.

A04-00044 01/15/19



| Bonneville Bifold 7'0" | | | |
|------------------------|-------|------|------|
| BF | A | B | C |
| 3-0 | 11.96 | 4.02 | 1.77 |
| 2-8 | 9.96 | 4.02 | 1.77 |
| 2-6 | 8.96 | 4.02 | 1.77 |
| 2-4 | 7.96 | 4.02 | 1.77 |
| 2-0 | 5.96 | 4.02 | 1.77 |
| 1-8 | 5.96 | 2.02 | 1.77 |
| 1-6 | 5.96 | 1.77 | 1.02 |

Use of heavy duty hardware may require additional undercut. Lynden Door standard is 3/4"

Bonneville (Textured Colonist)

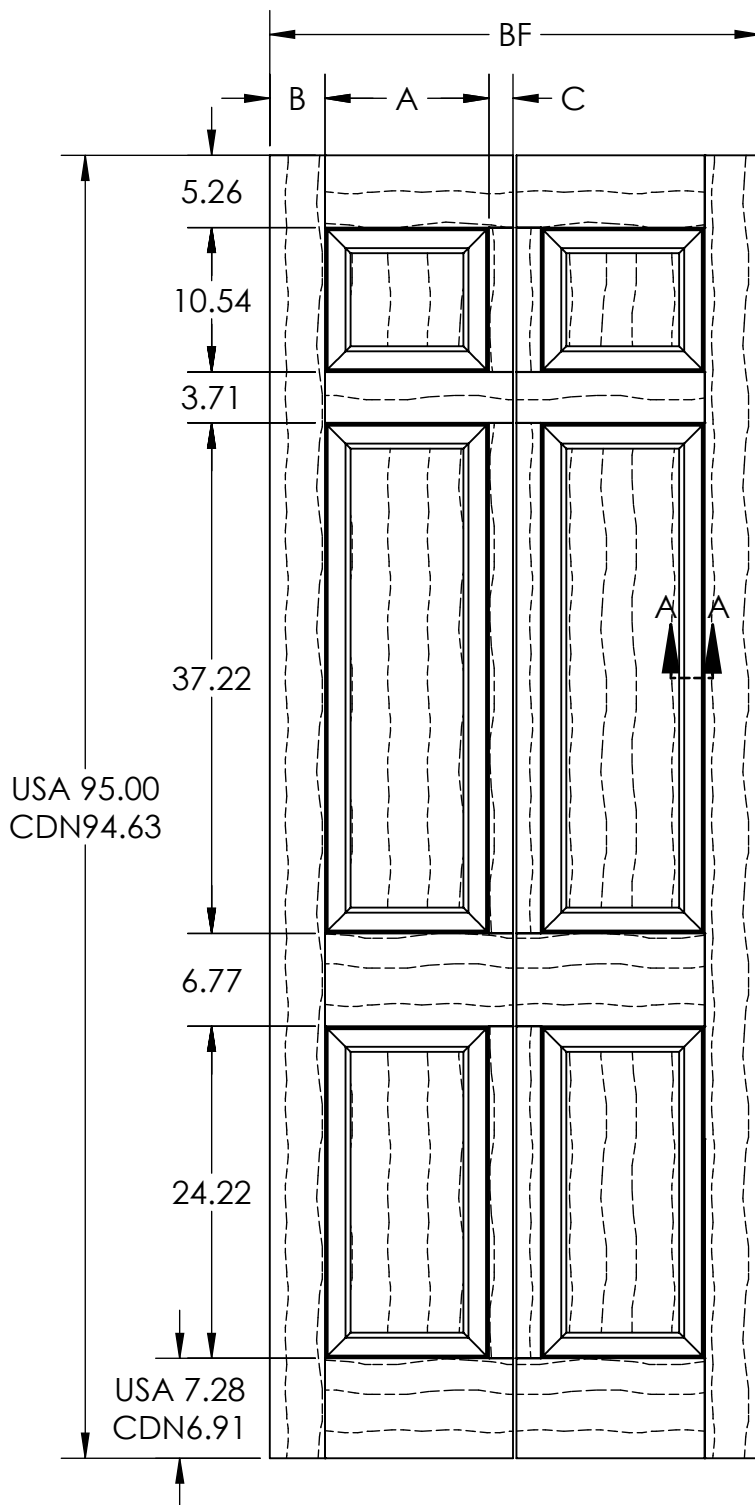
Molded Profile Bifold



DIMENSIONS ARE IN: Inches
DOOR TOLERANCES
WIDTH (FULL WIDTH): $\pm 1/16$
WIDTH (PREFIT): $\pm 1/32$
HEIGHT: $\pm 1/16$
SQUARE: $\pm 1/8$

THE INFORMATION CONTAINED IN THIS DRAWING IS THE SOLE PROPERTY OF Lynden Door, Inc. ANY REPRODUCTION IN PART OR AS A WHOLE WITHOUT THE WRITTEN PERMISSION OF Lynden Door, Inc. IS PROHIBITED.

A04-00044 01/15/19



Bonneville Bifold 8'0"

| BF | A | B | C |
|-----|-------|------|------|
| 3-0 | 11.96 | 4.02 | 1.77 |
| 2-8 | 9.96 | 4.02 | 1.77 |
| 2-6 | 8.96 | 4.02 | 1.77 |
| 2-4 | 7.96 | 4.02 | 1.77 |
| 2-0 | 5.96 | 4.02 | 1.77 |
| 1-8 | 5.96 | 2.02 | 1.77 |
| 1-6 | 5.96 | 1.77 | 1.02 |

Use of heavy duty hardware may require additional undercut. Lynden Door standard is 3/4"

Bonneville (Textured Colonist)

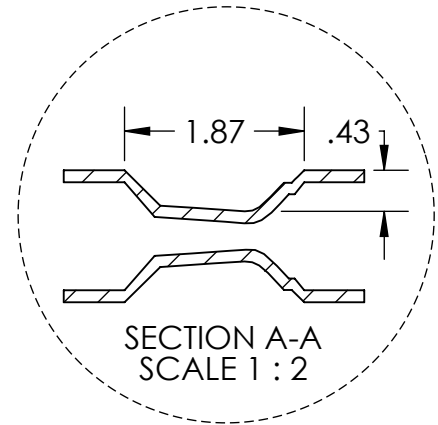
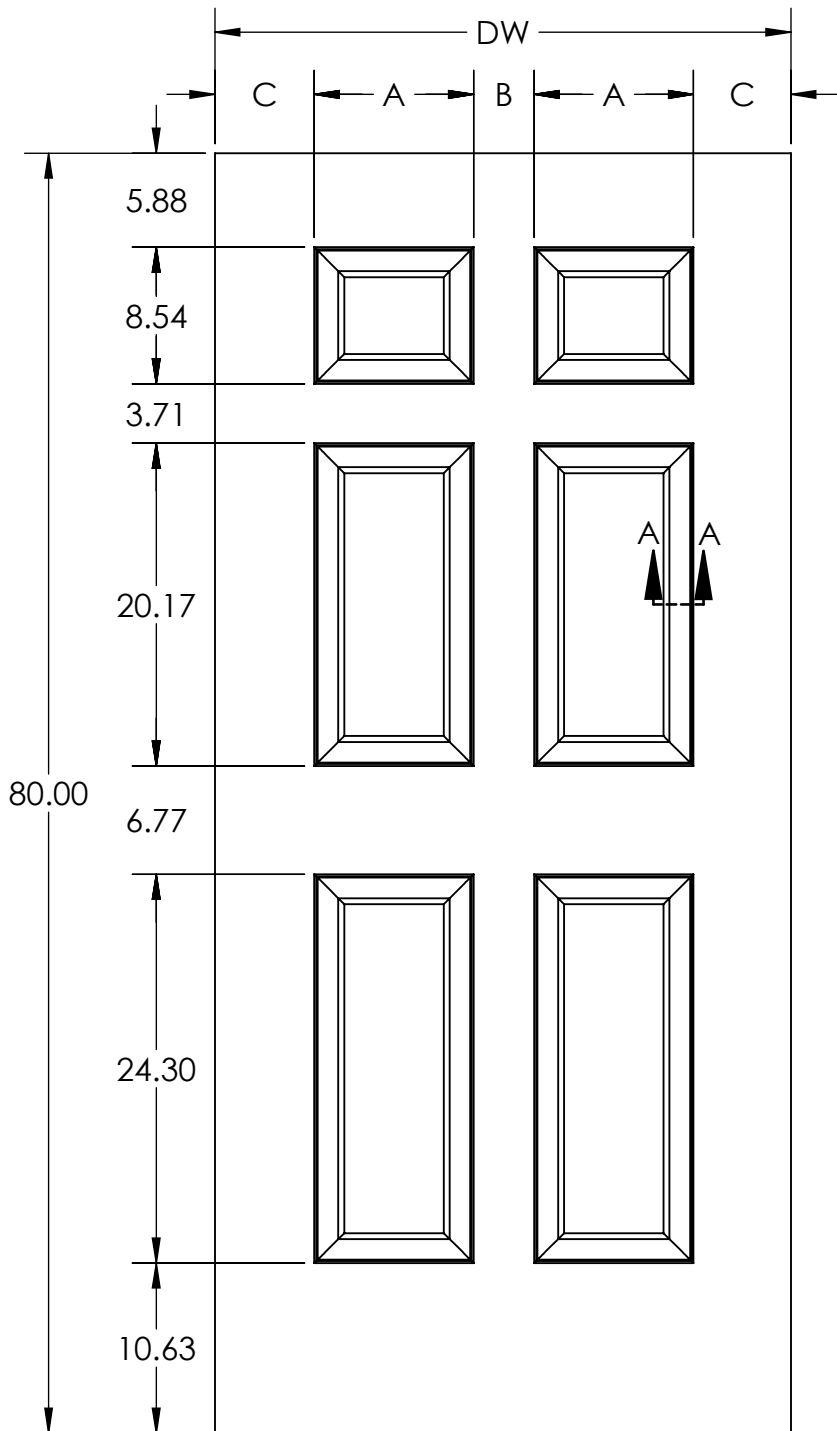
Molded Profile Bifold



DIMENSIONS ARE IN: inches
DOOR TOLERANCES
WIDTH (FULL WIDTH): ±1/16
WIDTH (PREFIT): ±1/32
HEIGHT: ±1/16
SQUARE: ±1/8

THE INFORMATION CONTAINED IN THIS DRAWING IS THE SOLE PROPERTY OF Lynden Door, Inc. ANY REPRODUCTION IN PART OR AS A WHOLE WITHOUT THE WRITTEN PERMISSION OF Lynden Door, Inc. IS PROHIBITED.

A04-00044 01/15/19



| | | | |
|---|------|------|------|
| Cameron 6'8" | | | |
| All dimensions nominal before profit and bevel. | | | |
| DW | A | B | C |
| 3-0 | 9.96 | 3.78 | 6.21 |
| Bottom rail dimension complies with ADA requirements. | | | |

Cameron (Commercial Colonist)

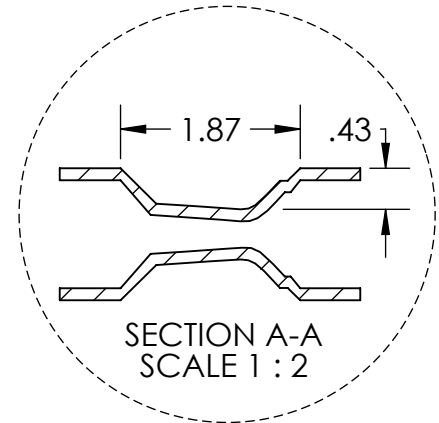
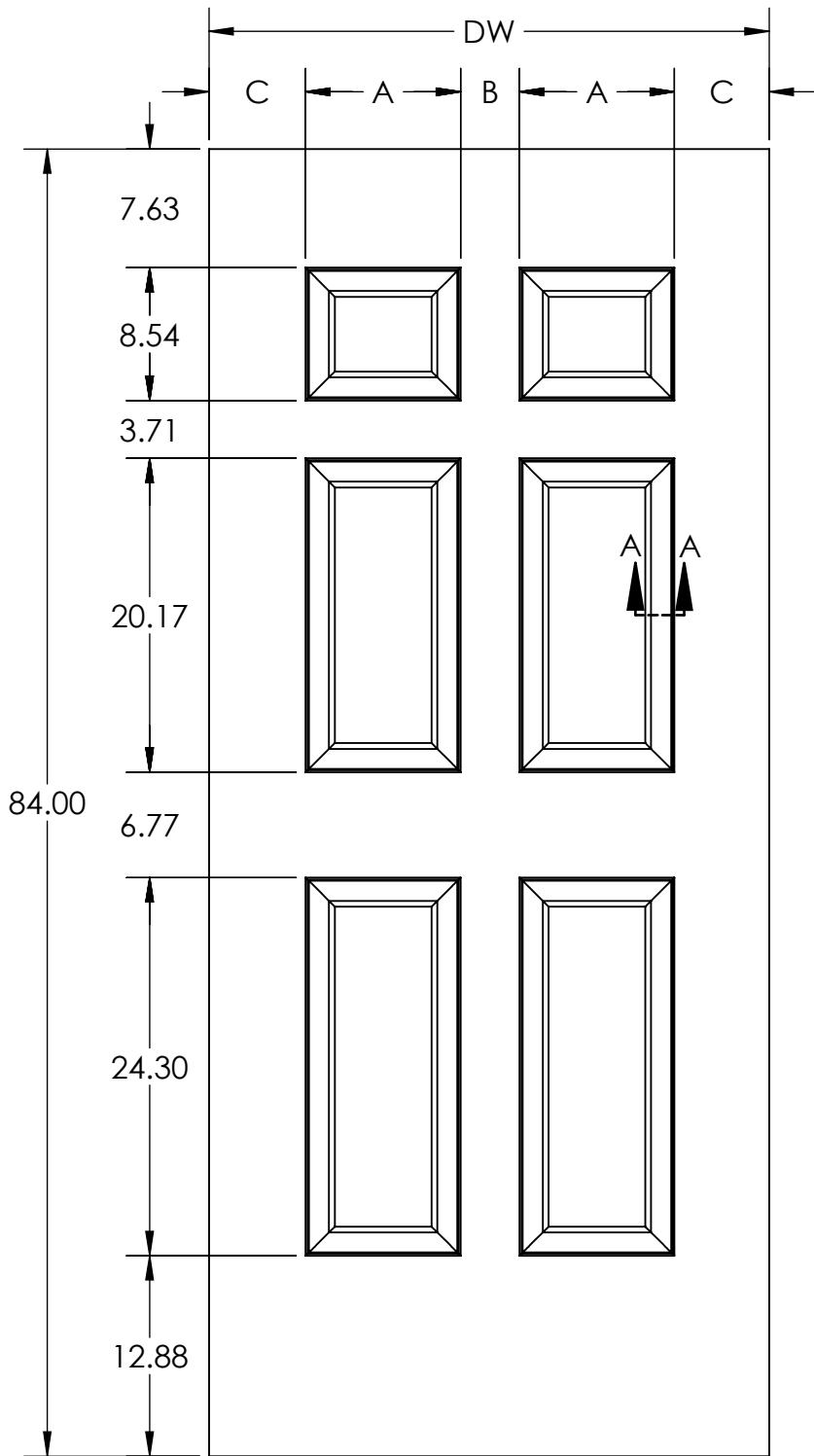
Molded Profile Door



DIMENSIONS ARE IN: Inches
DOOR TOLERANCES
WIDTH (FULL WIDTH): $\pm 1/16$
WIDTH (PREFIT): $\pm 1/32$
HEIGHT: $\pm 1/16$
SQUARE: $\pm 1/8$

THE INFORMATION CONTAINED IN THIS DRAWING IS THE
SOLE PROPERTY OF Lynden Door, Inc. ANY
REPRODUCTION IN PART OR AS A WHOLE WITHOUT THE
WRITTEN PERMISSION OF Lynden Door, Inc. IS PROHIBITED.

A04-00044 01/15/19



| Cameron 7'0" | | | |
|---|------|------|------|
| All dimensions nominal before profit and bevel. | | | |
| DW | A | B | C |
| 3-0 | 9.96 | 3.78 | 6.21 |
| Bottom rail dimension complies with ADA requirements. | | | |

Cameron (Commercial Colonist)

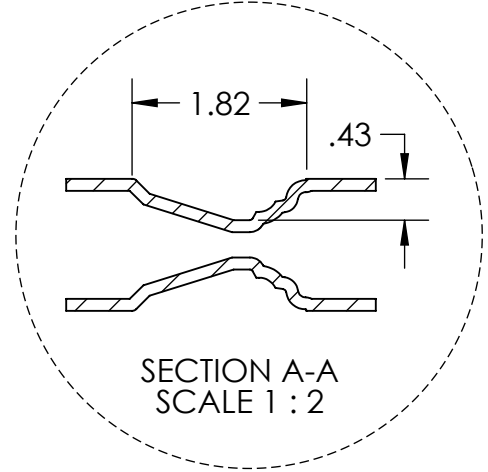
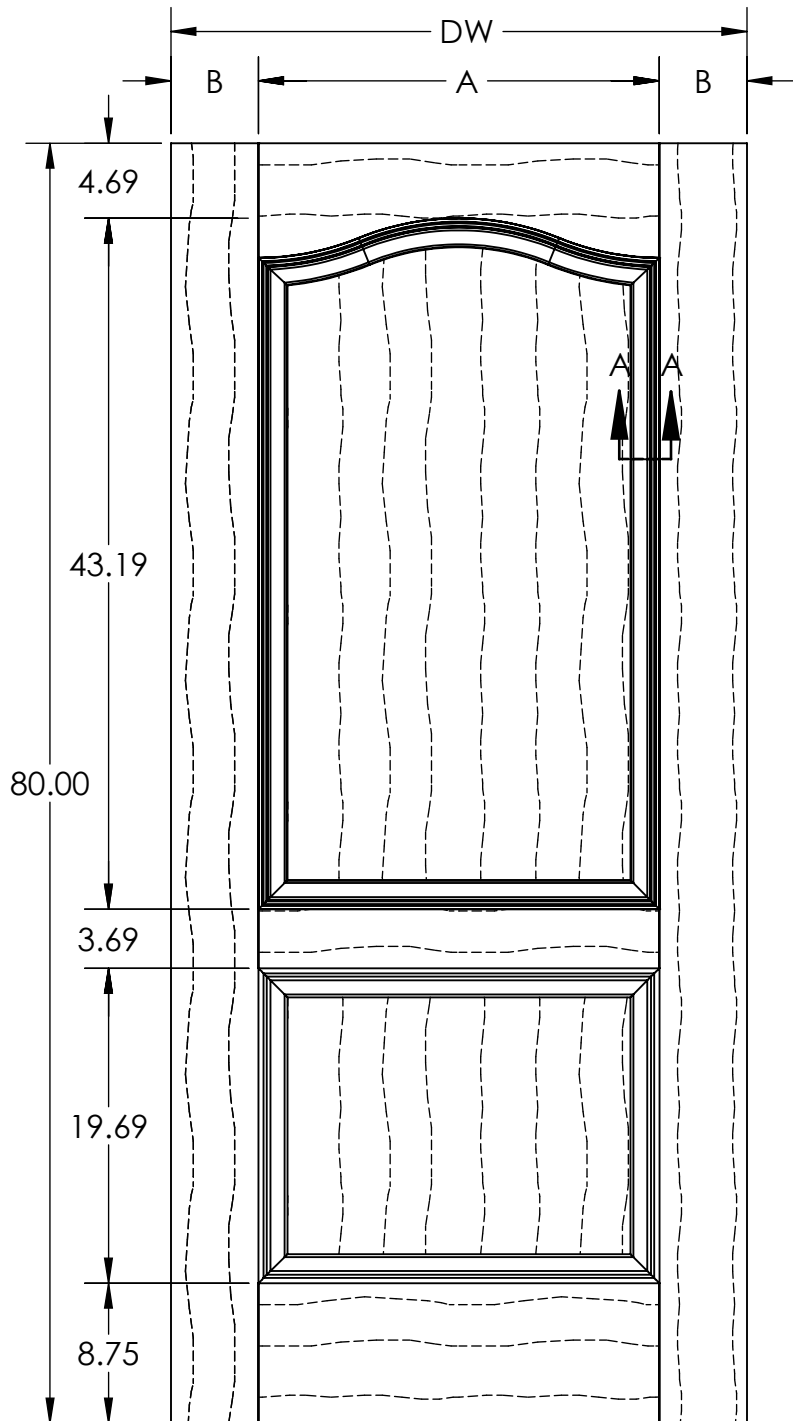
Molded Profile Door



DIMENSIONS ARE IN: inches
DOOR TOLERANCES
WIDTH (FULL WIDTH): ±1/16
WIDTH (PREFIT): ±1/32
HEIGHT: ±1/16
SQUARE: ±1/8

THE INFORMATION CONTAINED IN THIS DRAWING IS THE SOLE PROPERTY OF Lynden Door, Inc. ANY REPRODUCTION IN PART OR AS A WHOLE WITHOUT THE WRITTEN PERMISSION OF Lynden Door, Inc. IS PROHIBITED.

A04-00044 01/15/19



| Blakely 6'8" | | |
|--|-------|------|
| All dimensions nominal before prefit and bevel. | | |
| DW | A | B |
| 3-0 | 25.00 | 5.50 |
| 2-10 | 22.81 | 5.59 |
| 2-8 | 22.81 | 4.59 |
| 2-6 | 19.56 | 5.21 |
| 2-4 | 18.12 | 4.93 |
| 2-2 | 14.93 | 5.53 |
| 2-0 | 14.93 | 4.53 |
| 1-10 | 14.93 | 3.53 |
| 1-8 | 9.50 | 5.25 |
| 1-6 | 9.50 | 4.25 |
| Bottom rail dimension does not comply with ADA requirements. | | |

Blakely (Classique)

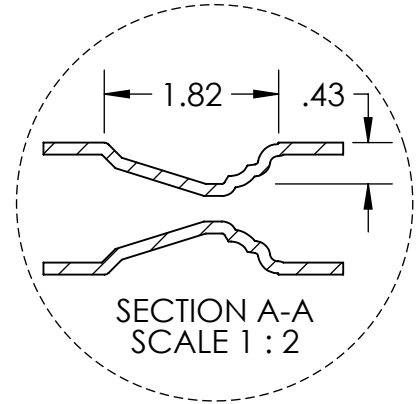
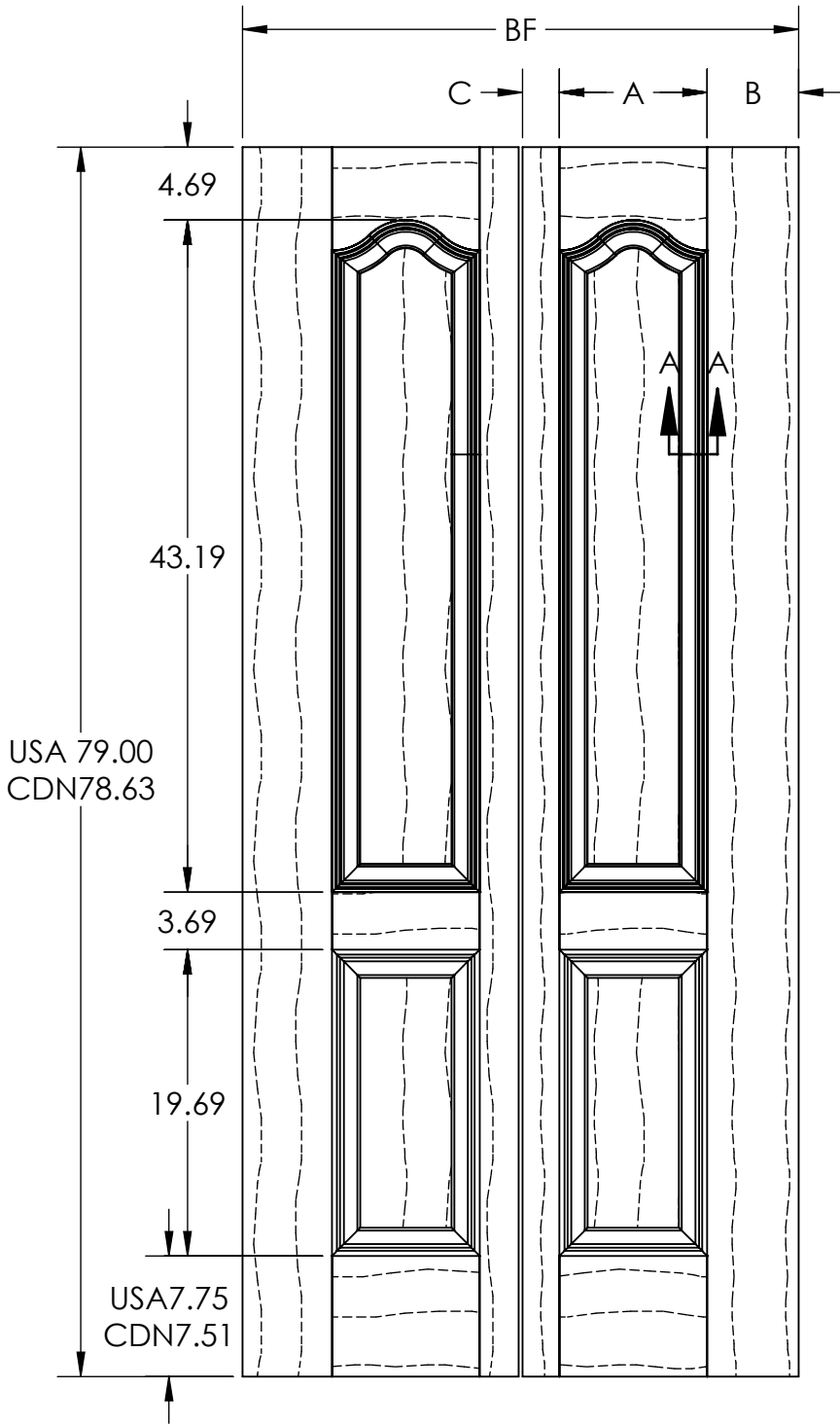
Molded Profile Door



DIMENSIONS ARE IN: inches
 DOOR TOLERANCES
 WIDTH (FULL WIDTH): ±1/16
 WIDTH (PREFIT): ±1/32
 HEIGHT: ±1/16
 SQUARE: ±1/8

THE INFORMATION CONTAINED IN THIS DRAWING IS THE
 SOLE PROPERTY OF Lynden Door, Inc. ANY
 REPRODUCTION IN PART OR AS A WHOLE WITHOUT THE
 WRITTEN PERMISSION OF Lynden Door, Inc. IS PROHIBITED.

A04-00036 01/14/19



| Blakely Bifold 6'8" | | | |
|---------------------|------|------|------|
| BF | A | B | C |
| 3-0 | 9.50 | 5.87 | 2.38 |
| 2-8 | 9.50 | 3.87 | 2.38 |
| 2-6 | 7.50 | 5.00 | 2.25 |
| 2-4 | 7.50 | 4.00 | 2.25 |
| 2-0 | 6.74 | 3.23 | 1.78 |
| 1-8 | 6.74 | 1.78 | 1.23 |
| 1-6 | 6.74 | 1.03 | 0.98 |

Use of heavy duty hardware may require additional undercut. Lynden Door standard is 3/4"

Blakely (Classique)

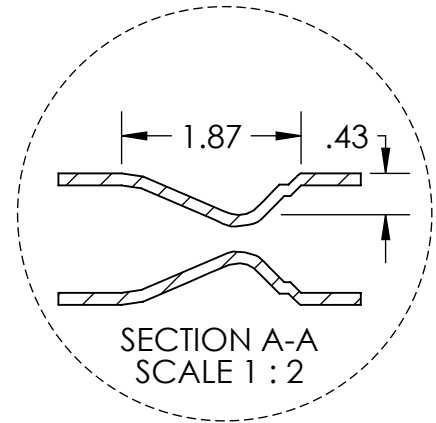
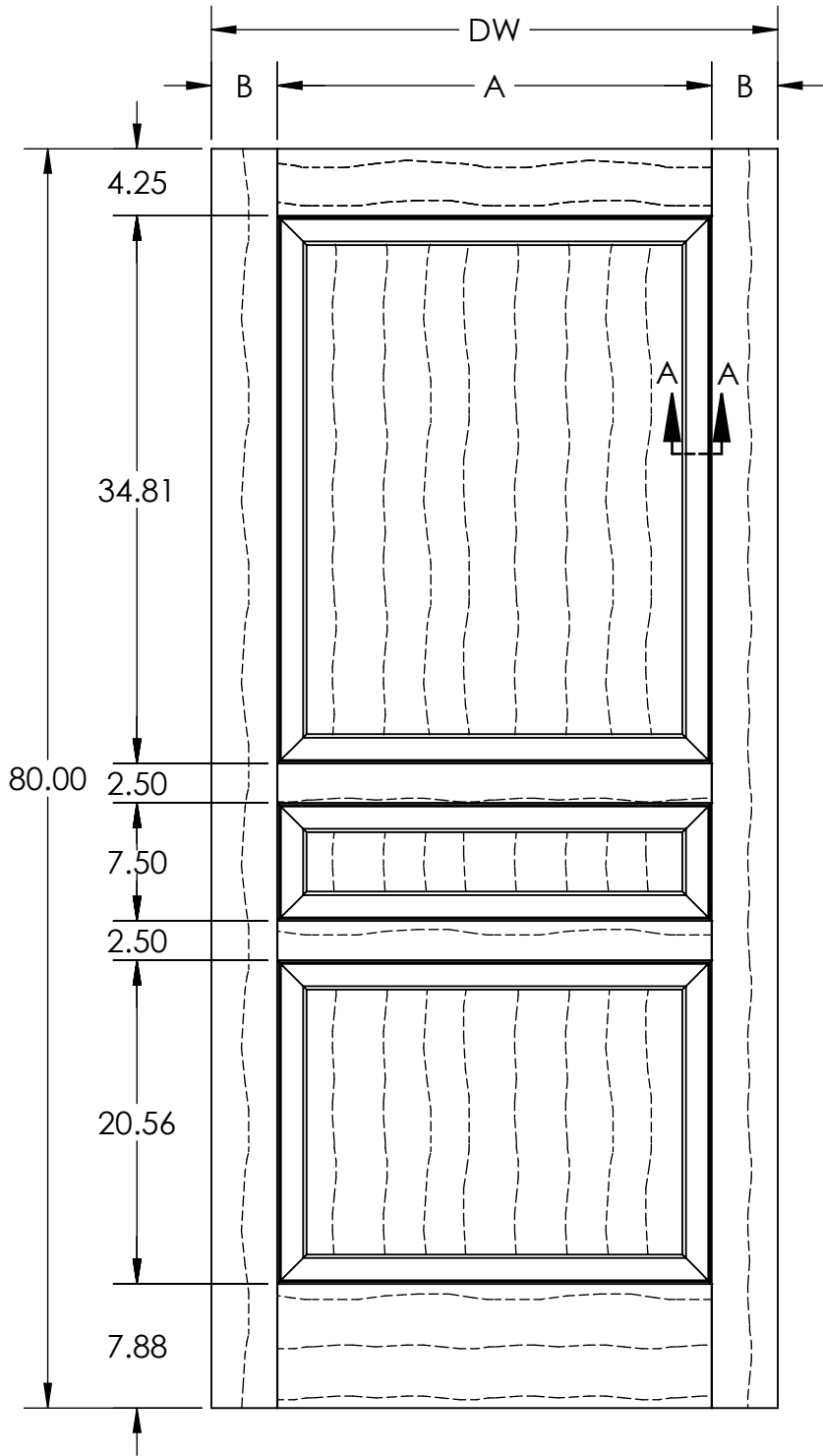
Molded Profile Bifold



DIMENSIONS ARE IN: inches
 DOOR TOLERANCES
 WIDTH (FULL WIDTH): ±1/16
 WIDTH (PREFIT): ±1/32
 HEIGHT: ±1/16
 SQUARE: ±1/8

THE INFORMATION CONTAINED IN THIS DRAWING IS THE SOLE PROPERTY OF Lynden Door, Inc. ANY REPRODUCTION IN PART OR AS A WHOLE WITHOUT THE WRITTEN PERMISSION OF Lynden Door, Inc. IS PROHIBITED.

A04-00036 01/14/19



| Westport 6'8" | | |
|--|-------|------|
| All dimensions nominal before prefit and bevel. | | |
| DW | A | B |
| 3-0 | 27.62 | 4.19 |
| 2-10 | 23.62 | 5.19 |
| 2-8 | 23.62 | 4.19 |
| 2-6 | 21.62 | 4.19 |
| 2-4 | 19.62 | 4.19 |
| 2-2 | 19.62 | 3.19 |
| 2-0 | 15.62 | 4.19 |
| 1-10 | 15.62 | 3.19 |
| 1-8 | 8.75 | 5.62 |
| 1-6 | 8.75 | 4.62 |
| Bottom rail dimension does not comply with ADA requirements. | | |

Westport (Clermont)

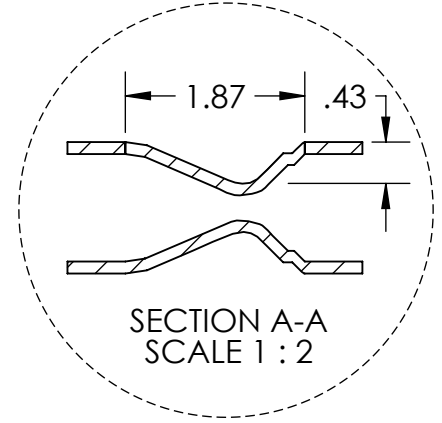
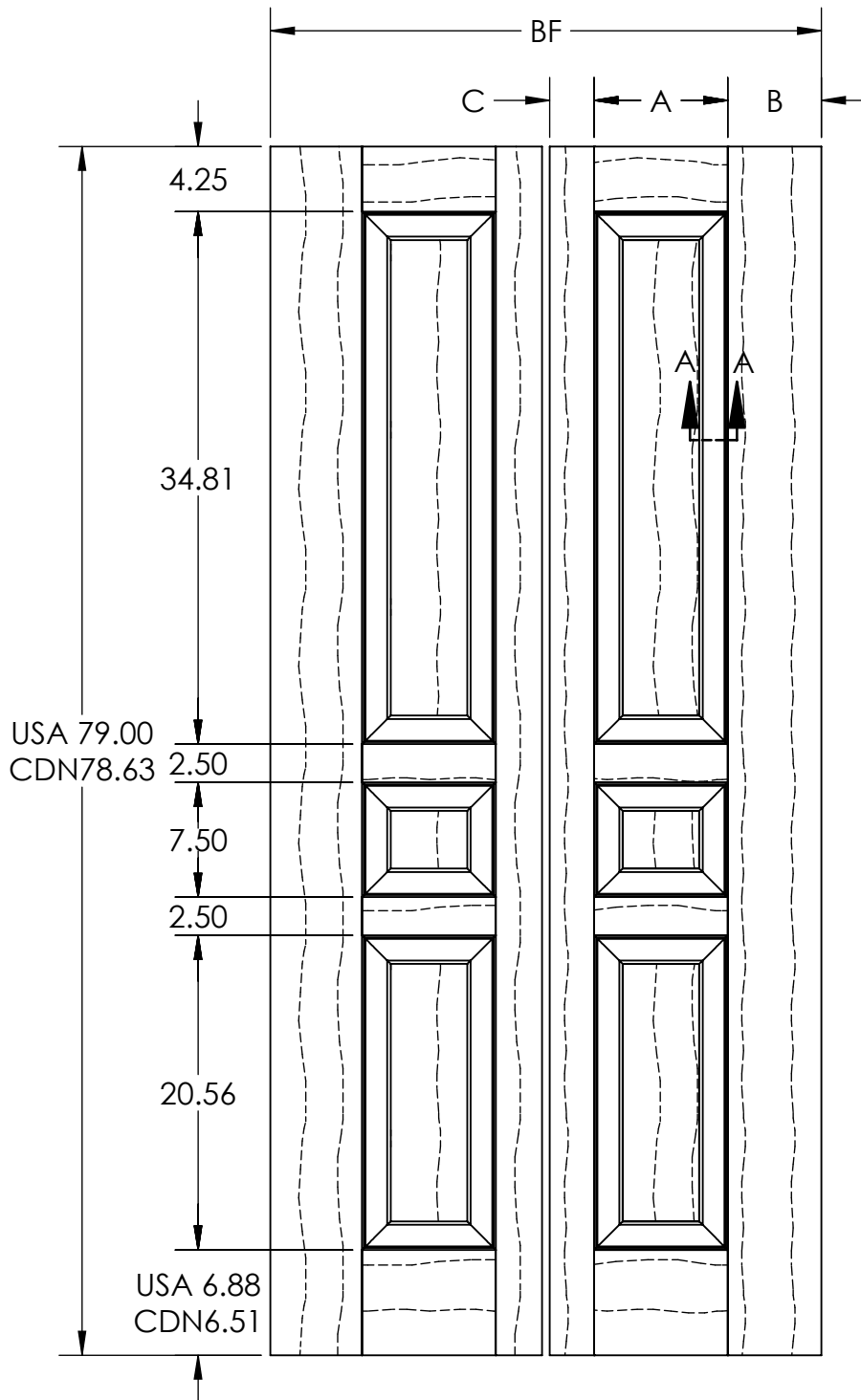
Molded Profile Door



DIMENSIONS ARE IN: Inches
 DOOR TOLERANCES
 WIDTH (FULL WIDTH): ±1/16
 WIDTH (PREFIT): ±1/32
 HEIGHT: ±1/16
 SQUARE: ±1/8

THE INFORMATION CONTAINED IN THIS DRAWING IS THE
 SOLE PROPERTY OF Lynden Door, Inc. ANY
 REPRODUCTION IN PART OR AS A WHOLE WITHOUT THE
 WRITTEN PERMISSION OF Lynden Door, Inc. IS PROHIBITED.

A04-00037 01/14/19



| Westport Bifold 6'8" | | | |
|----------------------|------|------|------|
| BF | A | B | C |
| 3-0 | 8.74 | 5.99 | 3.02 |
| 2-8 | 8.74 | 3.99 | 3.02 |
| 2-6 | 7.68 | 4.61 | 2.46 |
| 2-4 | 7.68 | 3.61 | 2.46 |
| 2-0 | 6.18 | 3.63 | 1.94 |
| 1-8 | 6.18 | 1.94 | 1.63 |
| 1-6 | 6.18 | 1.38 | 1.19 |

Use of heavy duty hardware may require additional undercut. Lynden Door standard is 3/4"

Westport (Clermont)

Molded Profile Bifold



DIMENSIONS ARE IN: inches
 DOOR TOLERANCES
 WIDTH (FULL WIDTH): ±1/16
 WIDTH (PREFIT): ±1/32
 HEIGHT: ±1/16
 SQUARE: ±1/8

THE INFORMATION CONTAINED IN THIS DRAWING IS THE SOLE PROPERTY OF Lynden Door, Inc. ANY REPRODUCTION IN PART OR AS A WHOLE WITHOUT THE WRITTEN PERMISSION OF Lynden Door, Inc. IS PROHIBITED.

A04-00037 01/14/19