

Mercer 6'8"		
All dimensions nominal before prefit and bevel.		
DW	A	B
3-0	26.50	4.75
2-10	22.50	5.75
2-8	22.50	4.75
2-6	20.50	4.75
2-4	18.50	4.75
2-2	15.50	5.25
2-0	15.50	4.25
1-10	15.50	3.25
1-8	11.50	4.25
1-6	7.81	5.09
Bottom rail dimension does not comply with ADA requirements.		

Mercer (Madison)

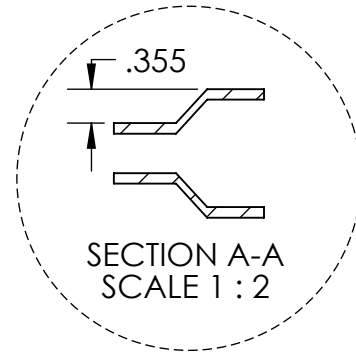
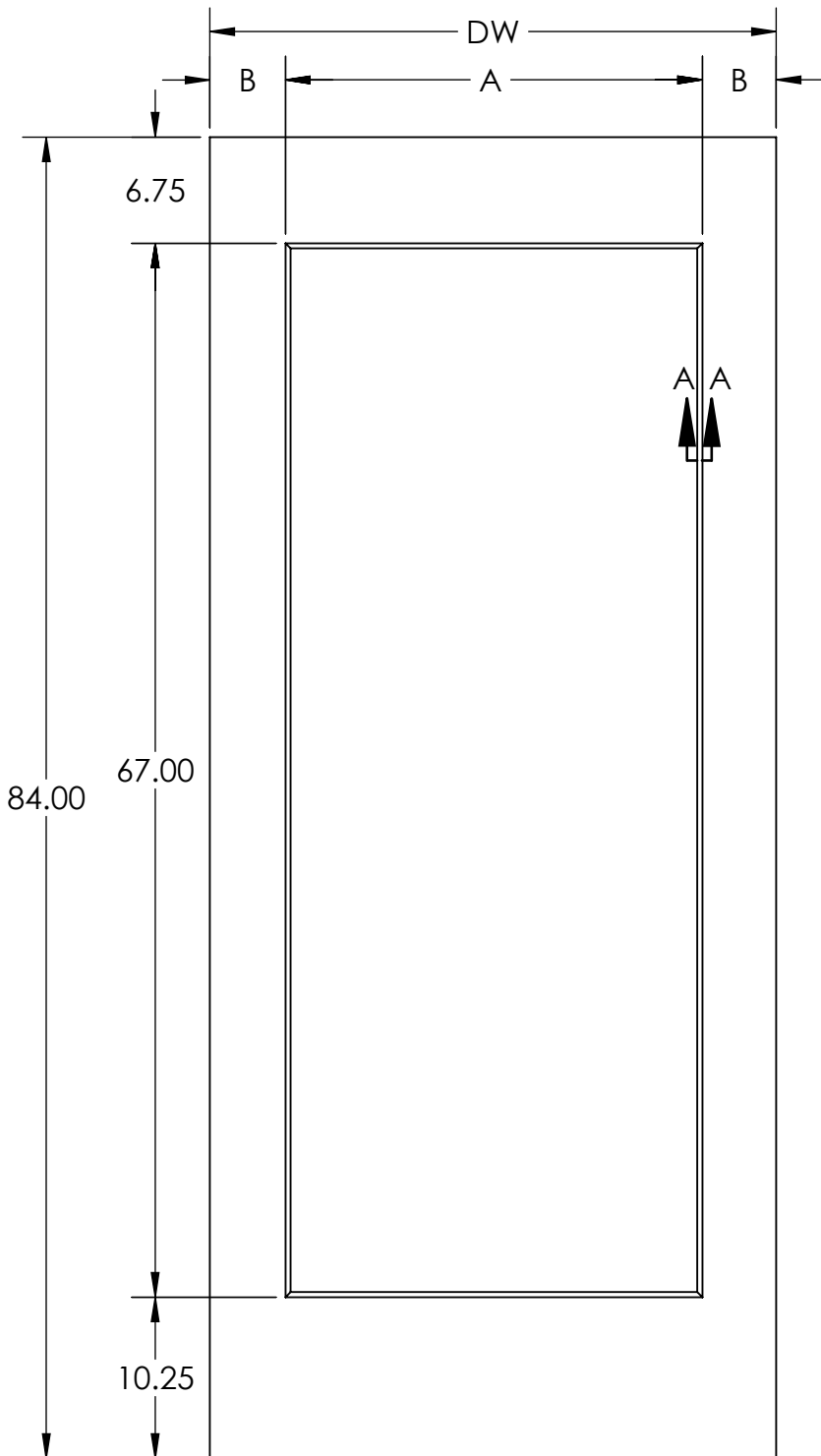
Molded Profile Door



DIMENSIONS ARE IN: inches
 DOOR TOLERANCES
 WIDTH (FULL WIDTH): $\pm 1/16$
 WIDTH (PREFIT): $\pm 1/32$
 HEIGHT: $\pm 1/16$
 SQUARE: $\pm 1/8$

THE INFORMATION CONTAINED IN THIS DRAWING IS THE SOLE PROPERTY OF Lynden Door, Inc. ANY REPRODUCTION IN PART OR AS A WHOLE WITHOUT THE WRITTEN PERMISSION OF Lynden Door, Inc. IS PROHIBITED.

A04-00040.01/15/19



Mercer 7'0"		
All dimensions nominal before prefit and bevel.		
DW	A	B
3-0	26.50	4.75
2-10	22.50	5.75
2-8	22.50	4.75
2-6	20.50	4.75
2-4	18.50	4.75
2-2	15.50	5.25
2-0	15.50	4.25
1-10	11.50	5.25
1-8	11.50	4.25
1-6	7.81	5.09
Bottom rail dimension complies with ADA requirements.		

Mercer (Madison)

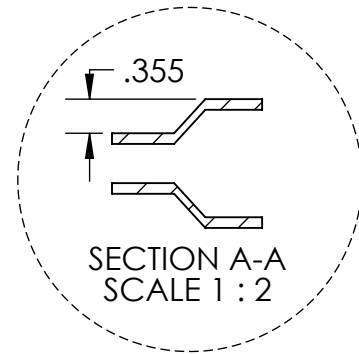
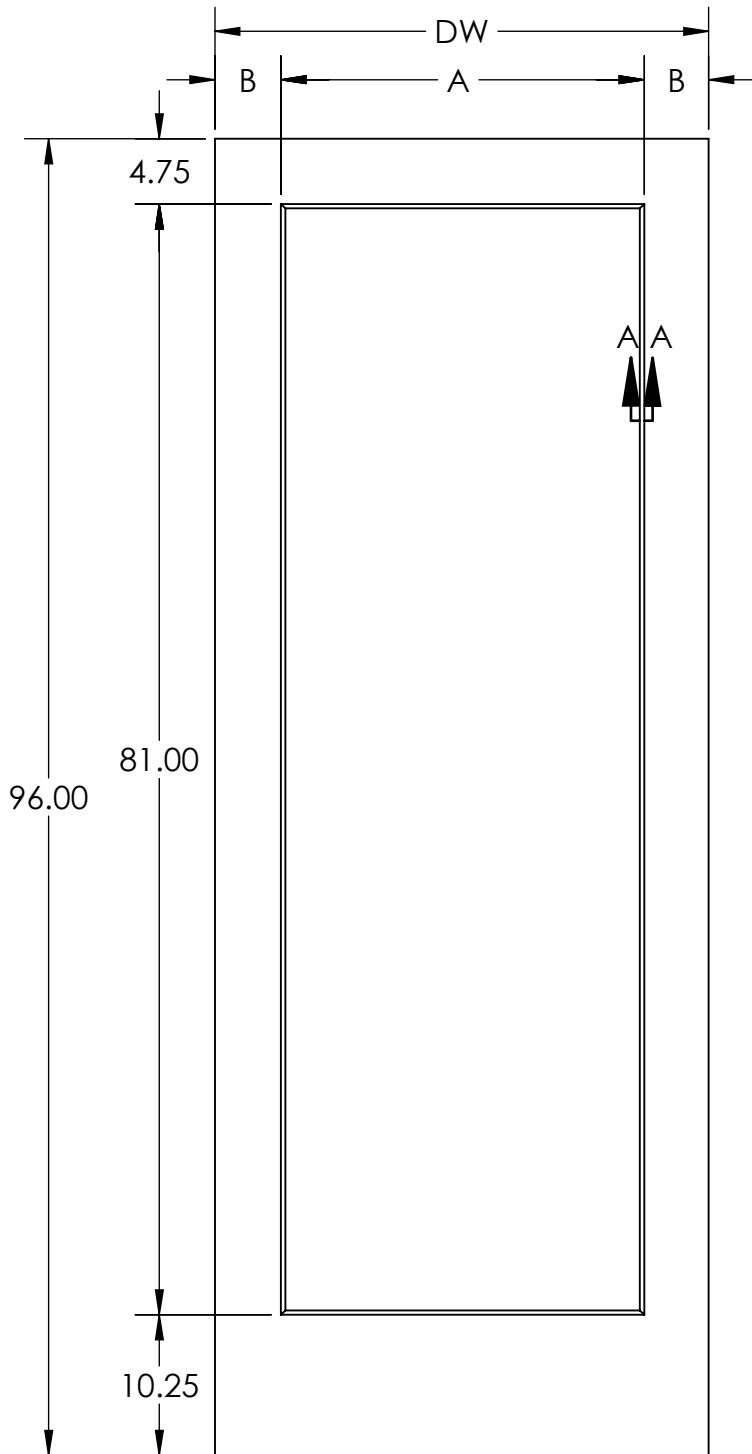
Molded Profile Door



DIMENSIONS ARE IN: inches
 DOOR TOLERANCES
 WIDTH (FULL WIDTH): $\pm 1/16$
 WIDTH (PREFIT): $\pm 1/32$
 HEIGHT: $\pm 1/16$
 SQUARE: $\pm 1/8$

THE INFORMATION CONTAINED IN THIS DRAWING IS THE
 SOLE PROPERTY OF Lynden Door, Inc. ANY
 REPRODUCTION IN PART OR AS A WHOLE WITHOUT THE
 WRITTEN PERMISSION OF Lynden Door, Inc. IS PROHIBITED.

A04-00040.01/15/19



Mercer 8'0"		
All dimensions nominal before prefit and bevel.		
DW	A	B
3-0	26.50	4.75
2-10	22.50	5.75
2-8	22.50	4.75
2-6	20.50	4.75
2-4	18.50	4.75
2-2*	18.50	3.75
2-0	15.50	4.25
1-10*	15.50	3.25
1-8*	15.50	2.25
1-6	7.81	5.09
Bottom rail dimension complies with ADA requirements.		
*Contact factory regarding availability of wider stile options.		

Mercer (Madison)

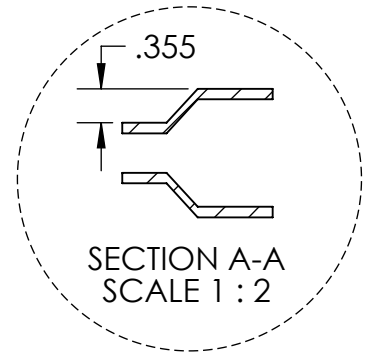
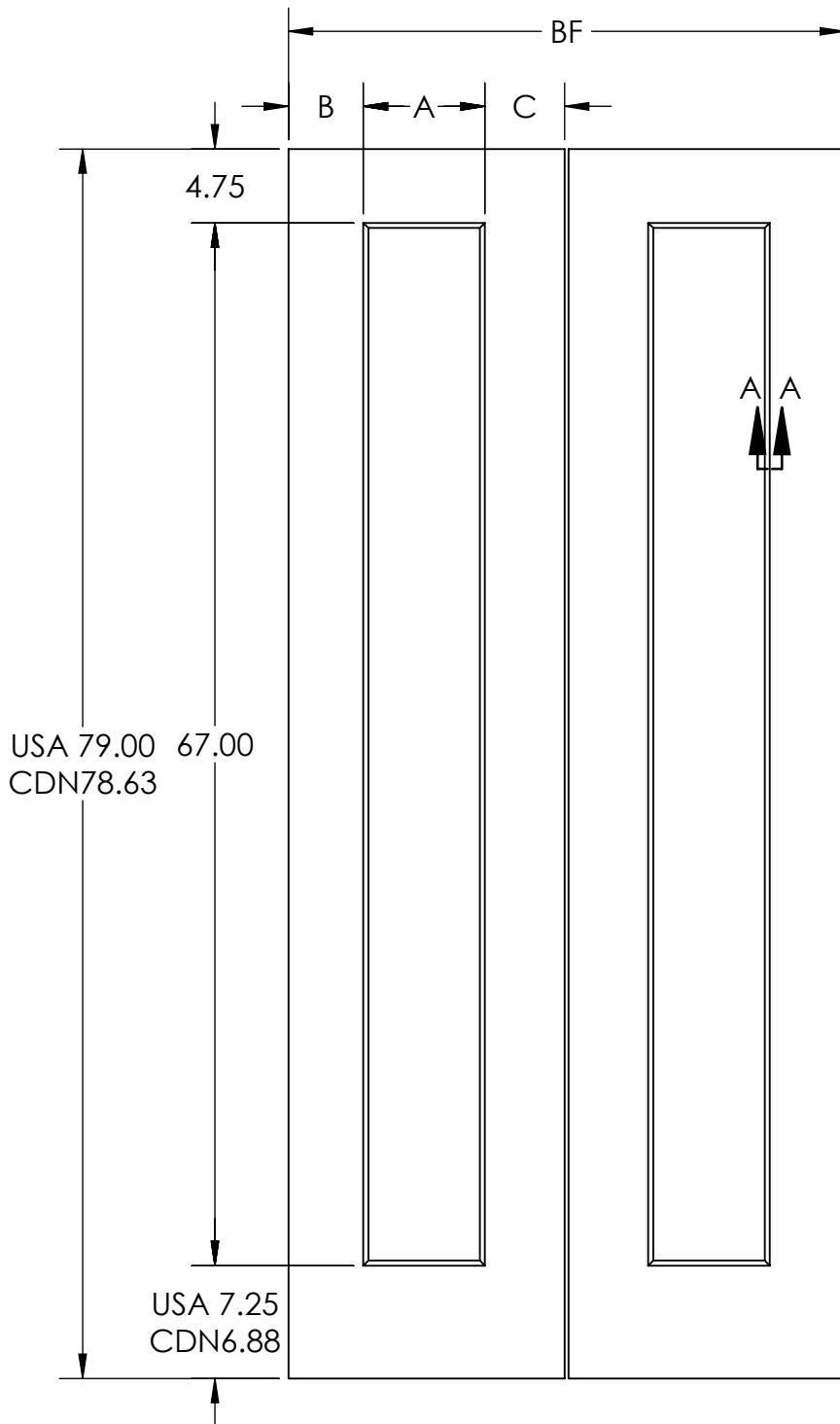
Molded Profile Door



DIMENSIONS ARE IN: inches
 DOOR TOLERANCES
 WIDTH (FULL WIDTH): ±1/16
 WIDTH (PREFIT): ±1/32
 HEIGHT: ±1/16
 SQUARE: ±1/8

THE INFORMATION CONTAINED IN THIS DRAWING IS THE SOLE PROPERTY OF Lynden Door, Inc. ANY REPRODUCTION IN PART OR AS A WHOLE WITHOUT THE WRITTEN PERMISSION OF Lynden Door, Inc. IS PROHIBITED.

A04-00040.01/15/19



Mercer Bifold 6'8"			
BF	A	B	C
3-0	7.81	4.82	5.12
2-8	7.81	5.12	2.82
2-6	5.37	4.54	4.84
2-4	5.37	4.84	3.54
2-0	4.25	3.59	3.91
1-8	4.25	3.91	1.59
1-6	4.25	3.16	1.34

Use of heavy duty hardware may require additional undercut. Lynden Door standard is 3/4"

Mercer (Madison)

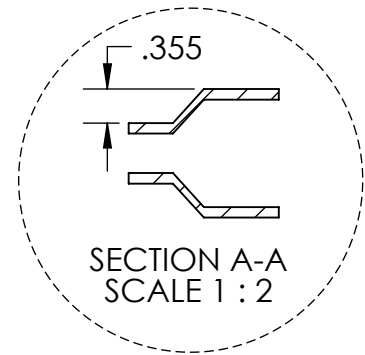
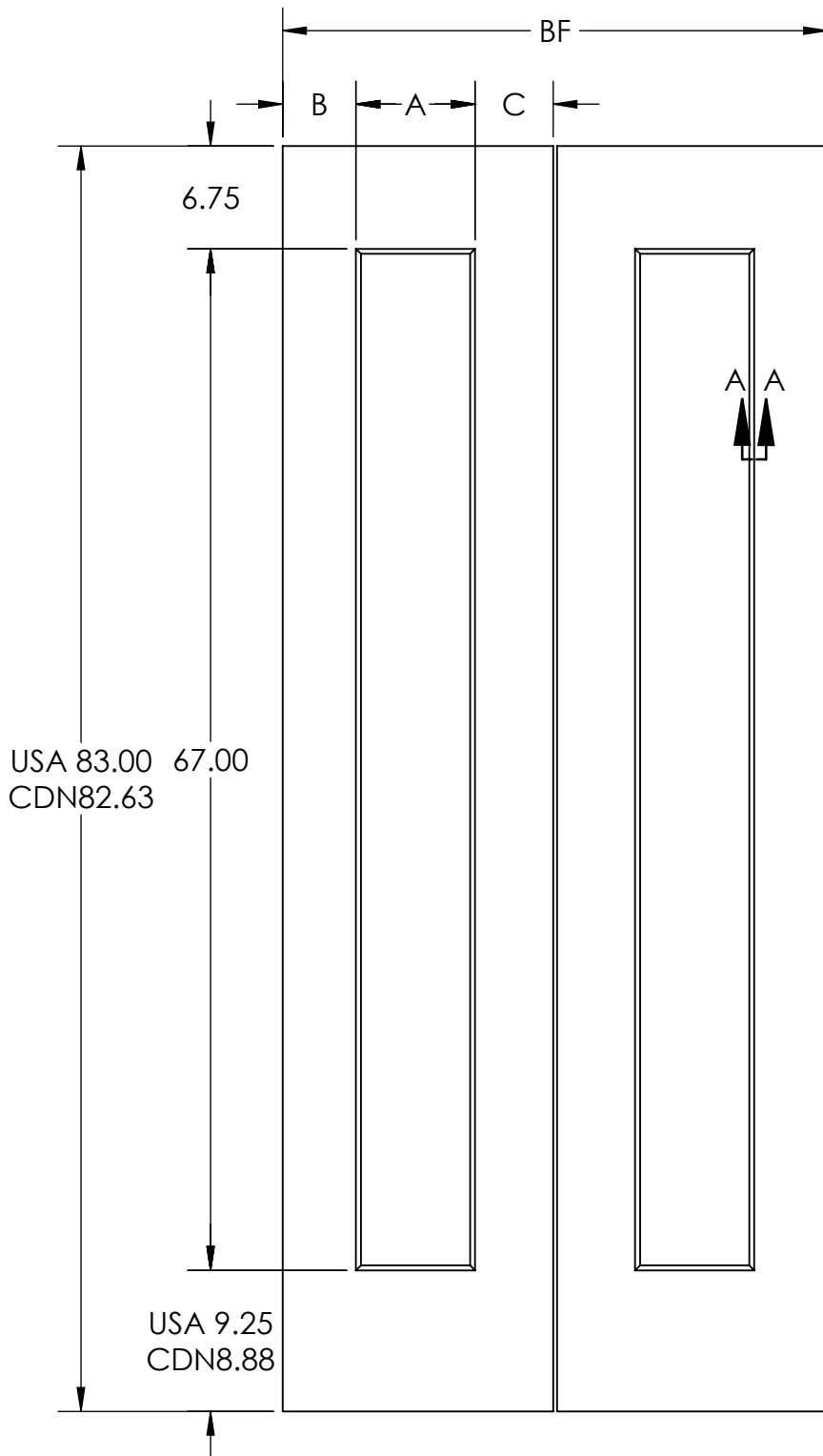
Molded Profile Bifold



DIMENSIONS ARE IN: inches
 DOOR TOLERANCES
 WIDTH (FULL WIDTH): ±1/16
 WIDTH (PREFIT): ±1/32
 HEIGHT: ±1/16
 SQUARE: ±1/8

THE INFORMATION CONTAINED IN THIS DRAWING IS THE SOLE PROPERTY OF Lynden Door, Inc. ANY REPRODUCTION IN PART OR AS A WHOLE WITHOUT THE WRITTEN PERMISSION OF Lynden Door, Inc. IS PROHIBITED.

A04-00040.01/15/19



Mercer Bifold 7'0"			
BF	A	B	C
3-0*	7.81	4.82	5.12
2-8*	7.81	5.12	2.82
2-6*	5.37	4.54	4.84
2-4*	5.37	4.84	3.54
2-0*	4.25	3.59	3.91
1-8*	4.25	3.91	1.59
1-6*	4.25	3.16	1.34
Use of heavy duty hardware may require additional undercut. Lynden Door standard is 3/4"			
* Non-Stock, Contact factory for pricing and availability.			

Mercer (Madison)

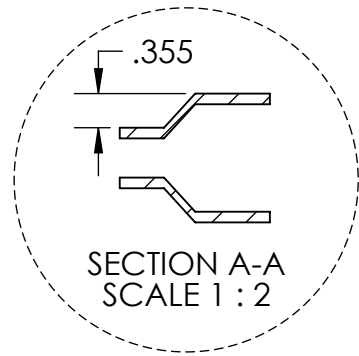
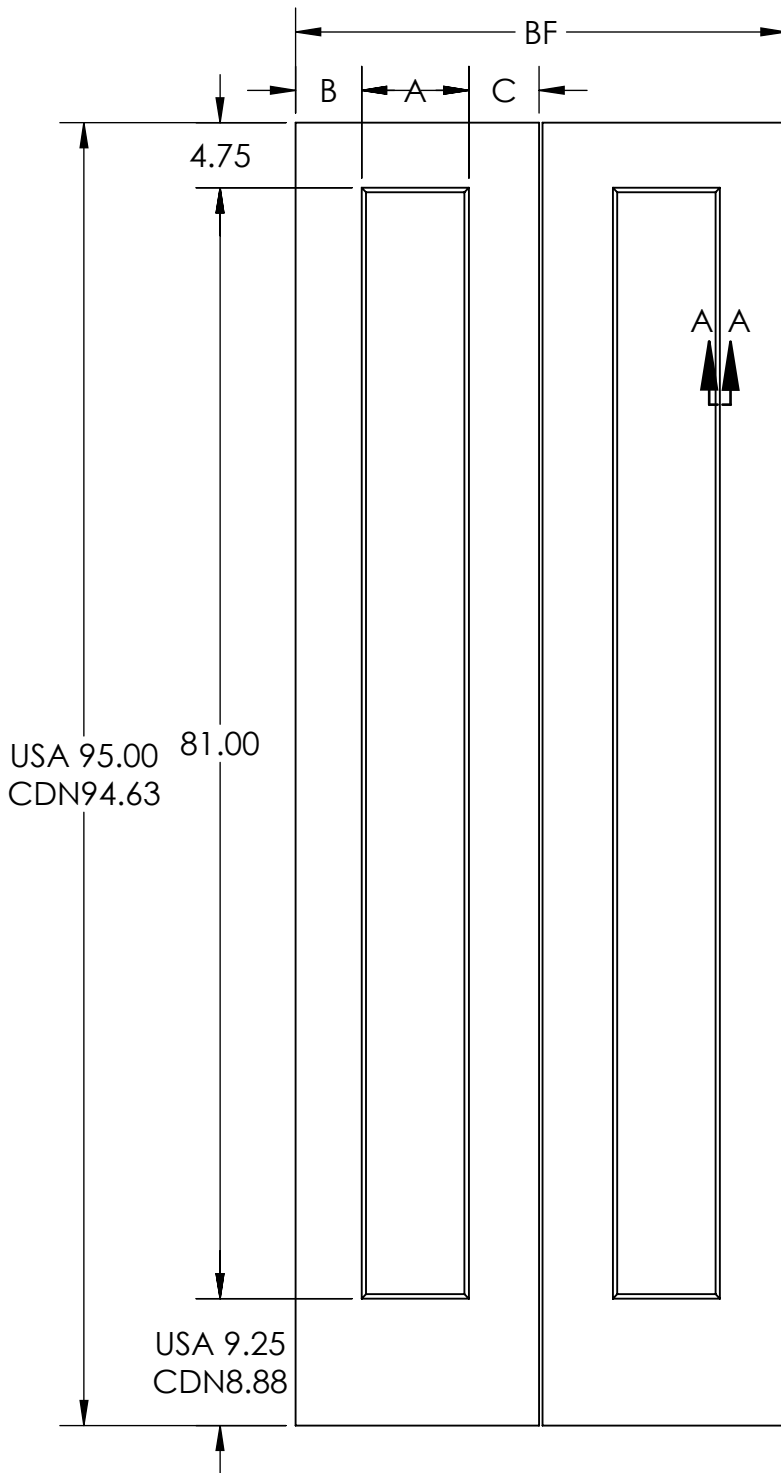
Molded Profile Bifold



DIMENSIONS ARE IN: inches
 DOOR TOLERANCES
 WIDTH (FULL WIDTH): $\pm 1/16$
 WIDTH (PREFIT): $\pm 1/32$
 HEIGHT: $\pm 1/16$
 SQUARE: $\pm 1/8$

THE INFORMATION CONTAINED IN THIS DRAWING IS THE SOLE PROPERTY OF Lynden Door, Inc. ANY REPRODUCTION IN PART OR AS A WHOLE WITHOUT THE WRITTEN PERMISSION OF Lynden Door, Inc. IS PROHIBITED.

A04-00040.01/15/19



Mercer Bifold 8'0"			
BF	A	B	C
3-0*	7.81	4.82	5.12
2-8*	7.81	5.12	2.82
2-6*	5.37	4.54	4.84
2-4*	5.37	4.84	3.54
2-0*	4.25	3.59	3.91
1-8*	4.25	3.91	1.59
1-6*	4.25	3.16	1.34
Use of heavy duty hardware may require additional undercut. Lynden Door standard is 3/4"			
* Non-Stock, Contact factory for pricing and availability.			

Mercer (Madison)

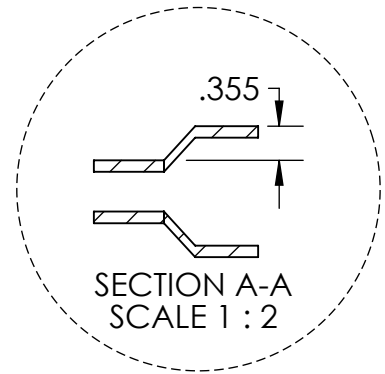
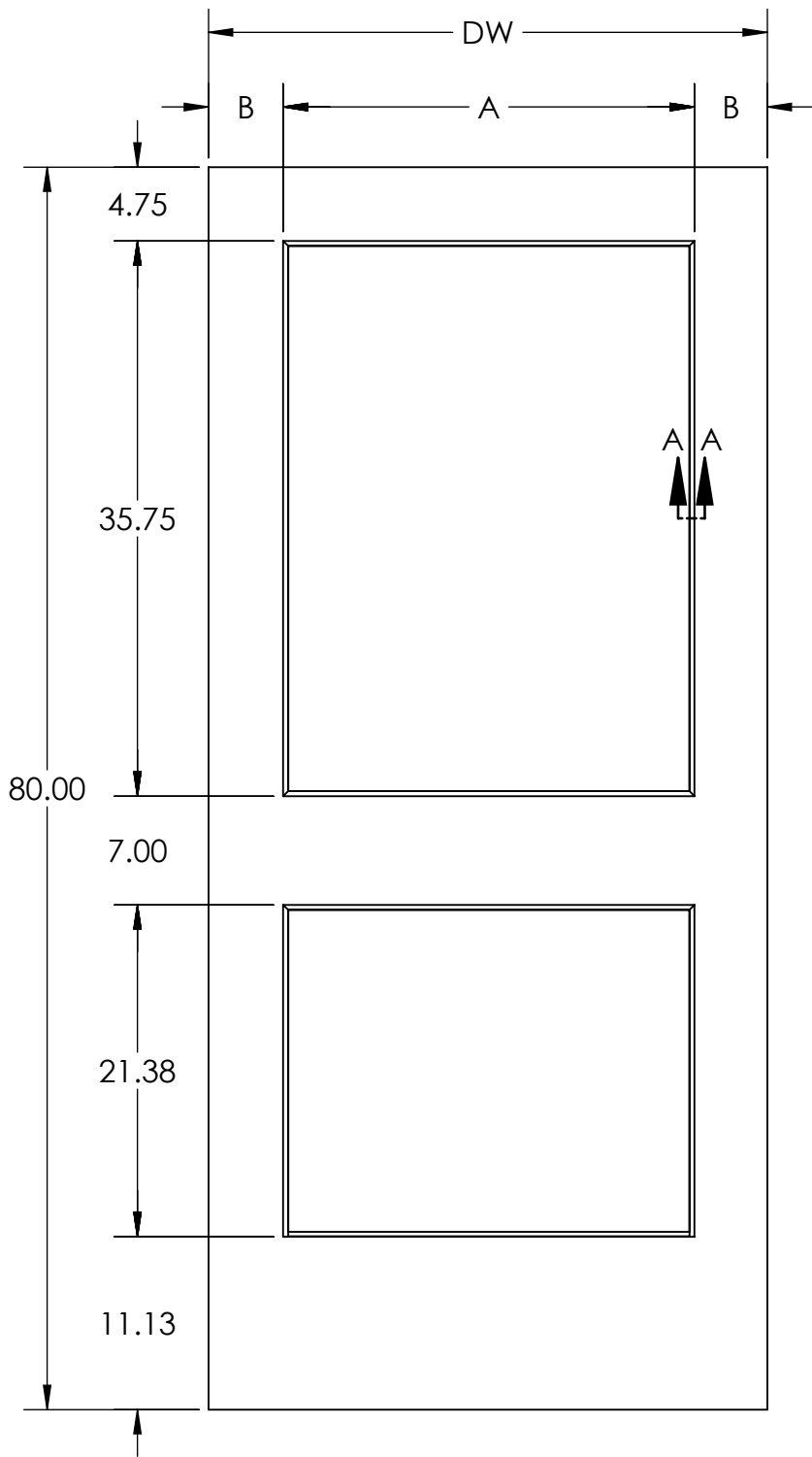
Molded Profile Bifold



DIMENSIONS ARE IN: Inches
DOOR TOLERANCES
WIDTH (FULL WIDTH): ±1/16
WIDTH (PREFIT): ±1/32
HEIGHT: ±1/16
SQUARE: ±1/8

THE INFORMATION CONTAINED IN THIS DRAWING IS THE SOLE PROPERTY OF Lynden Door, Inc. ANY REPRODUCTION IN PART OR AS A WHOLE WITHOUT THE WRITTEN PERMISSION OF Lynden Door, Inc. IS PROHIBITED.

A04-00040.01/15/19



Whitman 6'8"		
All dimensions nominal before prefit and bevel.		
DW	A	B
3-0	26.50	4.75
2-10	22.50	5.75
2-8	22.50	4.75
2-6	20.50	4.75
2-4	18.50	4.75
2-2	15.50	5.25
2-0	15.50	4.25
1-10	11.50	5.25
1-8	11.50	4.25
1-6	9.25	4.38
Bottom Rail Dimension Complies with ADA Requirements.		

Whitman

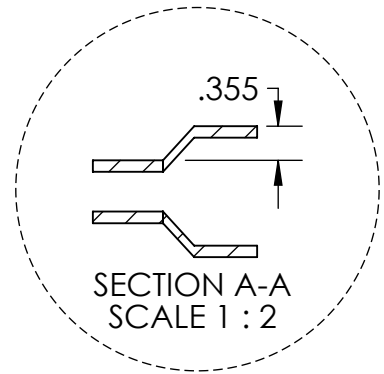
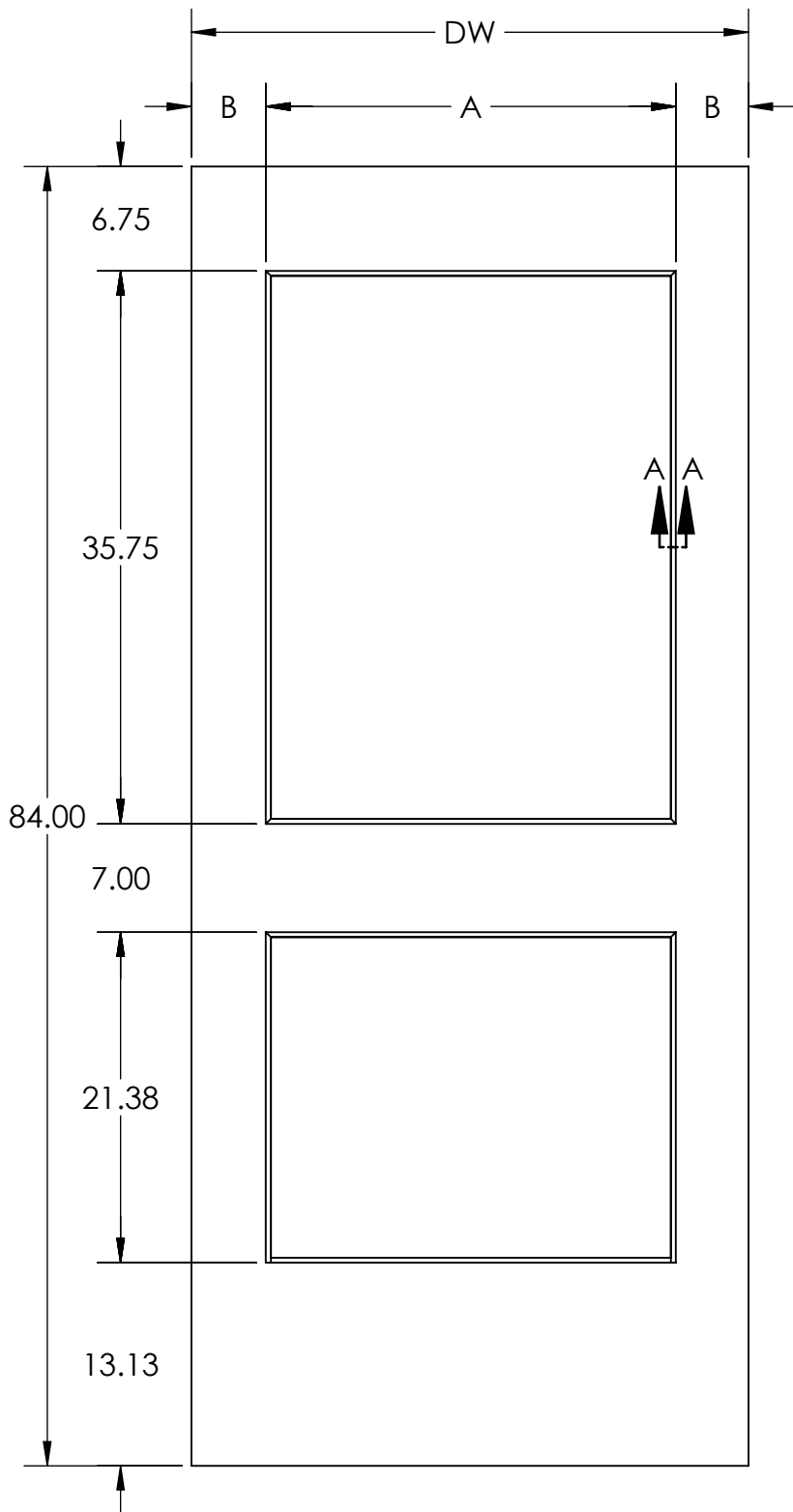
Molded Profile Door

LD Lynden Door
Open Your Future

DIMENSIONS ARE IN: inches
DOOR TOLERANCES
WIDTH (FULL WIDTH): $\pm 1/16$
WIDTH (PREFIT): $\pm 1/32$
HEIGHT: $\pm 1/16$
SQUARE: $\pm 1/8$

THE INFORMATION CONTAINED IN THIS DRAWING IS THE SOLE PROPERTY OF Lynden Door, Inc. ANY REPRODUCTION IN PART OR AS A WHOLE WITHOUT THE WRITTEN PERMISSION OF Lynden Door, Inc. IS PROHIBITED.

A04-00041 02/12/18



Whitman 7'0"		
All dimensions nominal before prefit and bevel.		
DW	A	B
3-0	26.50	4.75
2-10	22.50	5.75
2-8	22.50	4.75
2-6	20.50	4.75
2-4	18.50	4.75
2-2	15.50	5.25
2-0	15.50	4.25
1-10	11.50	5.25
1-8	11.50	4.25
1-6	9.25	4.38
Bottom Rail Dimension Complies with ADA Requirements.		

Whitman

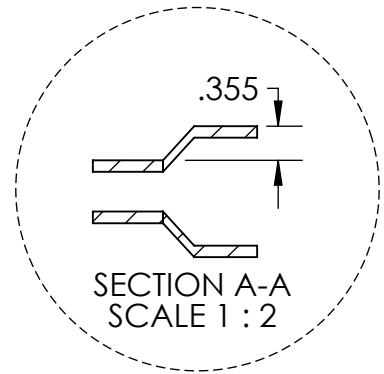
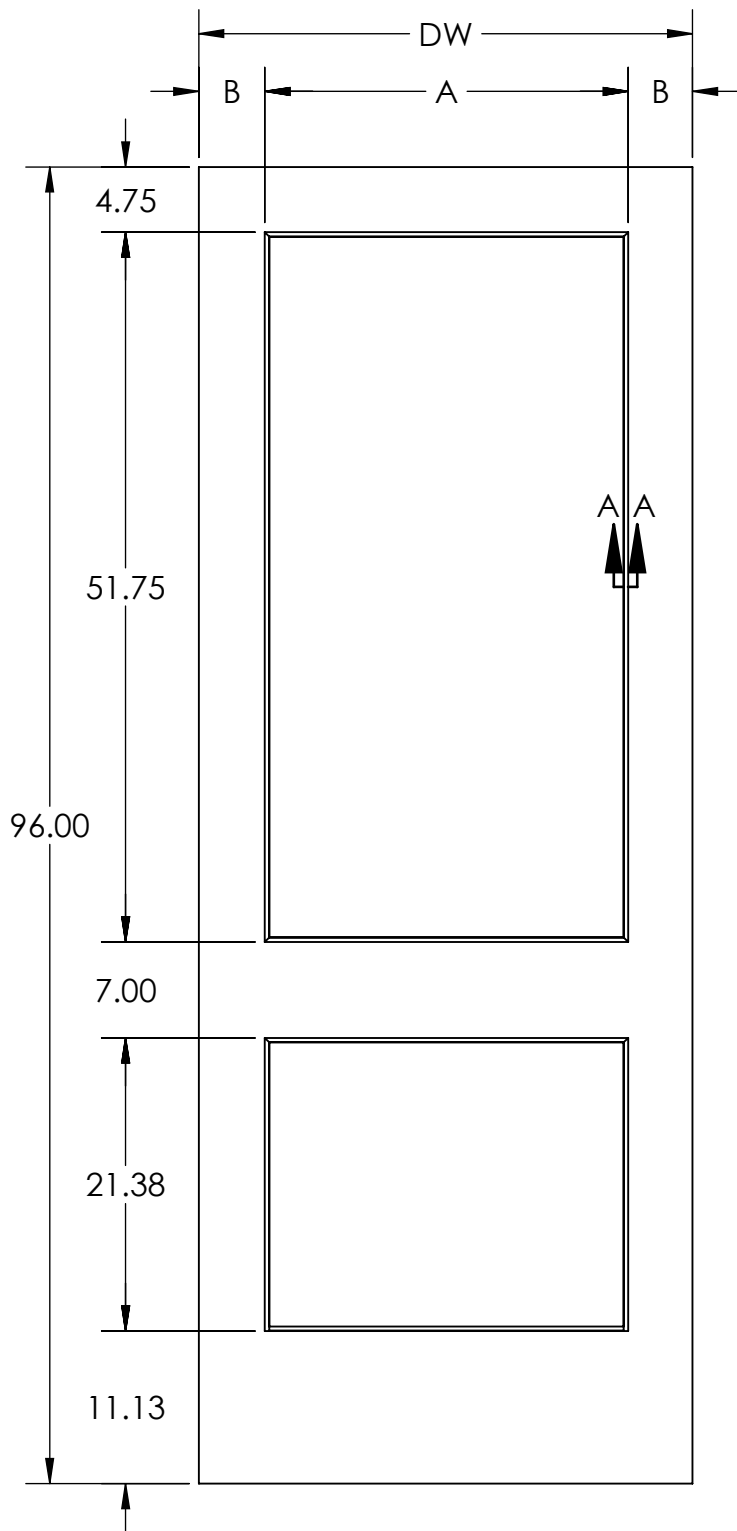
Molded Profile Door



DIMENSIONS ARE IN: inches
 DOOR TOLERANCES
 WIDTH (FULL WIDTH): ±1/16
 WIDTH (PREFIT): ±1/32
 HEIGHT: ±1/16
 SQUARE: ±1/8

THE INFORMATION CONTAINED IN THIS DRAWING IS THE SOLE PROPERTY OF Lynden Door, Inc. ANY REPRODUCTION IN PART OR AS A WHOLE WITHOUT THE WRITTEN PERMISSION OF Lynden Door, Inc. IS PROHIBITED.

A04-00041 | 02/12/18



Whitman 8'0"		
All dimensions nominal before prefit and bevel.		
DW	A	B
3-0	26.50	4.75
2-10	22.50	5.75
2-8	22.50	4.75
2-6	20.50	4.75
2-4	18.50	4.75
2-2*	18.50	3.75
2-0	15.50	4.25
1-10*	15.50	3.25
1-8*	15.50	2.25
1-6	9.25	4.38
Bottom Rail Dimension Complies with ADA Requirements.		
*Contact factory regarding availability of wider stile options.		

Whitman

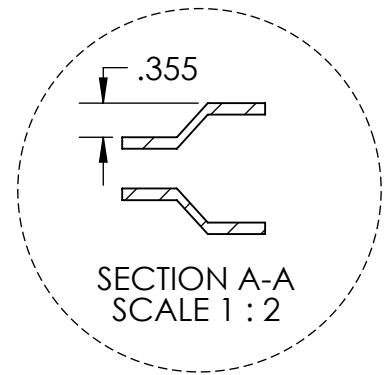
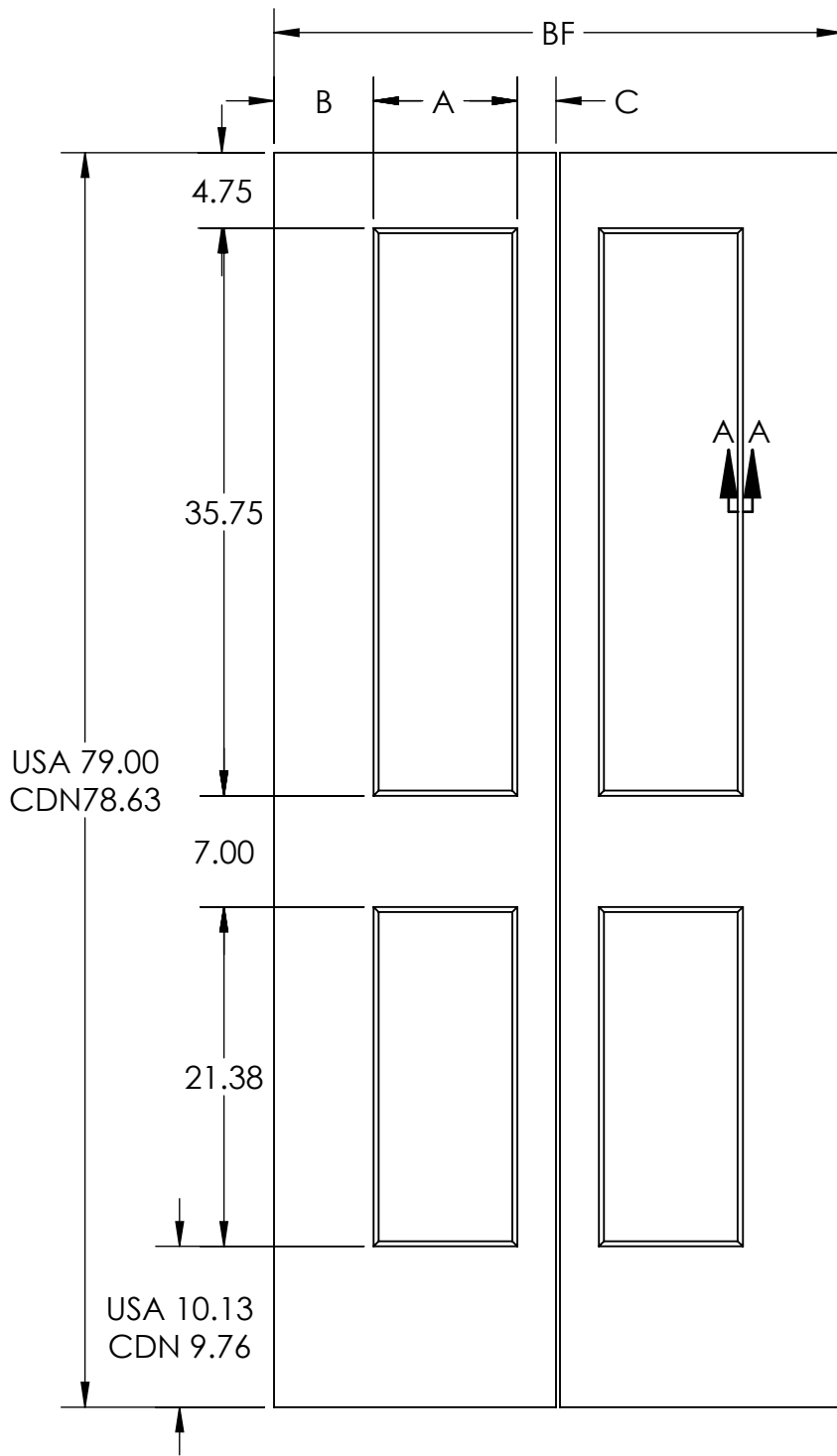
Molded Profile Door



DIMENSIONS ARE IN: inches
 DOOR TOLERANCES
 WIDTH (FULL WIDTH): ±1/16
 WIDTH (PREFIT): ±1/32
 HEIGHT: ±1/16
 SQUARE: ±1/8

THE INFORMATION CONTAINED IN THIS DRAWING IS THE SOLE PROPERTY OF Lynden Door, Inc. ANY REPRODUCTION IN PART OR AS A WHOLE WITHOUT THE WRITTEN PERMISSION OF Lynden Door, Inc. IS PROHIBITED.

A04-00041 | 02/12/18



Whitman Bifold 6'8"			
BF	A	B	C
3-0	9.12	6.19	2.44
2-8	9.12	4.19	2.44
2-6	7.38	5.21	2.16
2-4	7.38	4.21	2.16
2-0	5.94	4.16	1.65
1-8	5.94	2.16	1.65
1-6	5.94	1.91	0.90
Use of heavy duty hardware may require additional undercut. Lynden Door standard is 3/4"			

Whitman

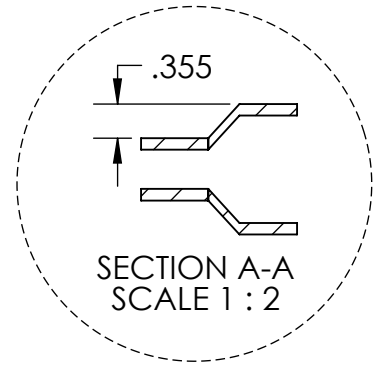
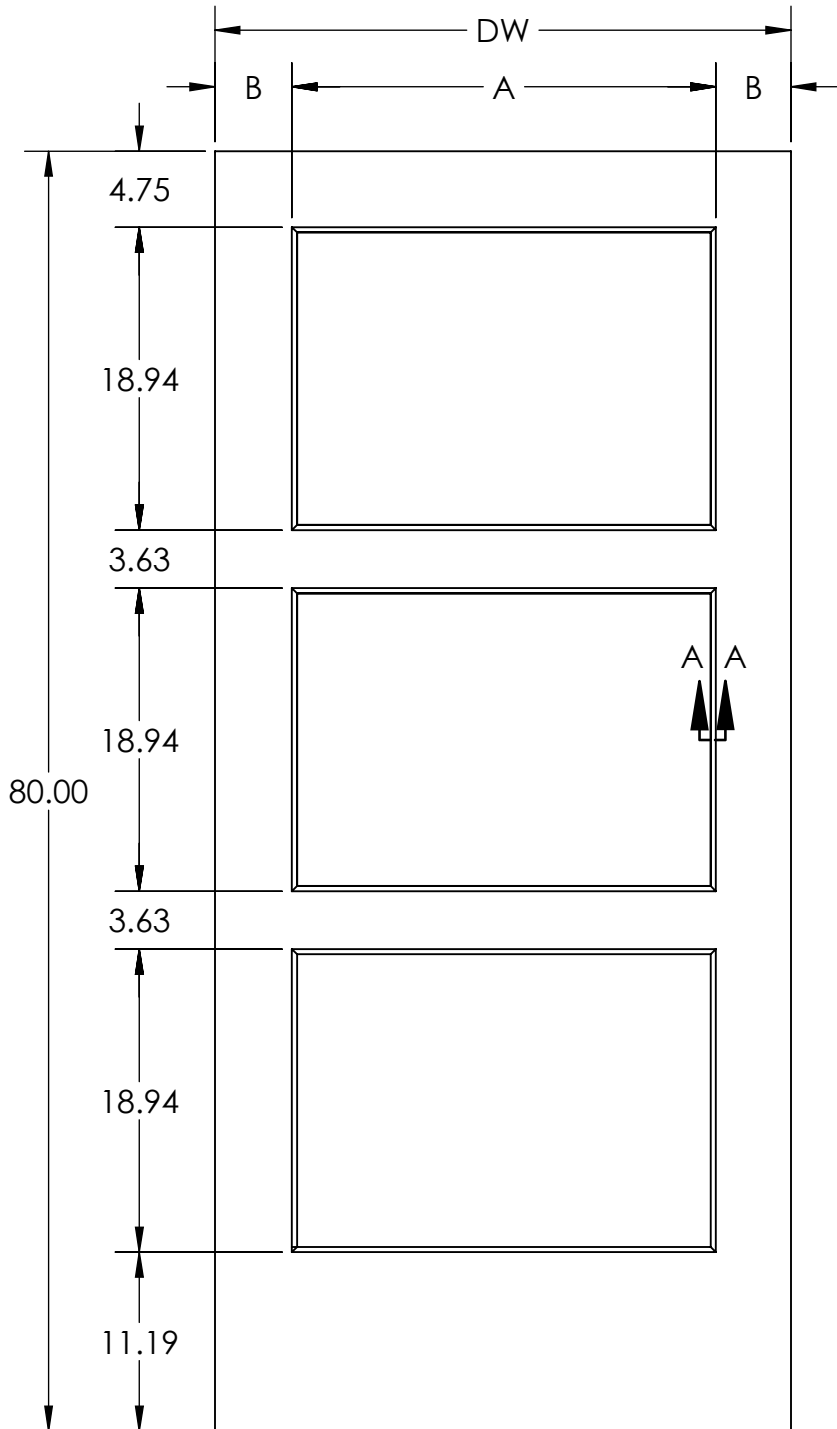
Molded Profile Bifold



DIMENSIONS ARE IN: inches
DOOR TOLERANCES
WIDTH (FULL WIDTH): ±1/16
WIDTH (PREFIT): ±1/32
HEIGHT: ±1/16
SQUARE: ±1/8

THE INFORMATION CONTAINED IN THIS DRAWING IS THE SOLE PROPERTY OF Lynden Door, Inc. ANY REPRODUCTION IN PART OR AS A WHOLE WITHOUT THE WRITTEN PERMISSION OF Lynden Door, Inc. IS PROHIBITED.

A04-00041 02/12/18



Aberdeen 6'8"		
All dimensions nominal before prefit and bevel.		
DW	A	B
3-0	26.50	4.75
2-10	22.50	5.75
2-8	22.50	4.75
2-6	20.50	4.75
2-4	18.50	4.75
2-2	15.50	5.25
2-0	15.50	4.25
1-10	11.50	5.25
1-8	11.50	4.25
1-6	9.25	4.38
Bottom rail dimension complies with ADA requirements.		

Aberdeen

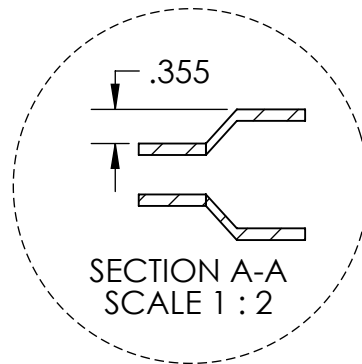
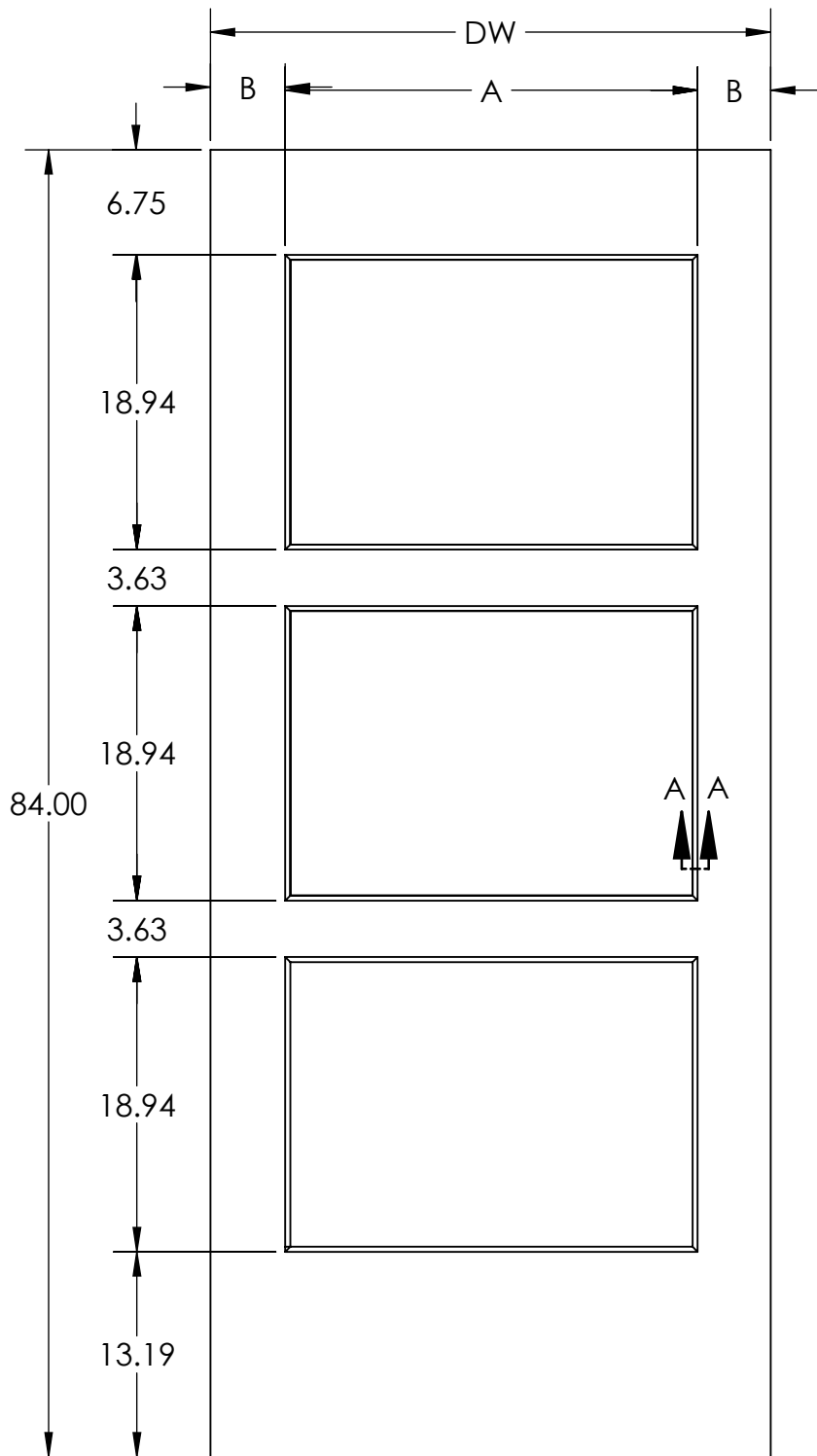
Molded Profile Door



DIMENSIONS ARE IN: inches
 DOOR TOLERANCES
 WIDTH (FULL WIDTH): ±1/16
 WIDTH (PREFIT): ±1/32
 HEIGHT: ±1/16
 SQUARE: ±1/8

THE INFORMATION CONTAINED IN THIS DRAWING IS THE SOLE PROPERTY OF Lynden Door, Inc. ANY REPRODUCTION IN PART OR AS A WHOLE WITHOUT THE WRITTEN PERMISSION OF Lynden Door, Inc. IS PROHIBITED.

A04-00058 | 11/27/18



Aberdeen 7'0"		
All dimensions nominal before prefit and bevel.		
DW	A	B
3-0	26.50	4.75
2-10	22.50	5.75
2-8	22.50	4.75
2-6	20.50	4.75
2-4	18.50	4.75
2-2	15.50	5.25
2-0	15.50	4.25
1-10	11.50	5.25
1-8	11.50	4.25
1-6	9.25	4.38
Bottom rail dimension complies with ADA requirements.		

Aberdeen

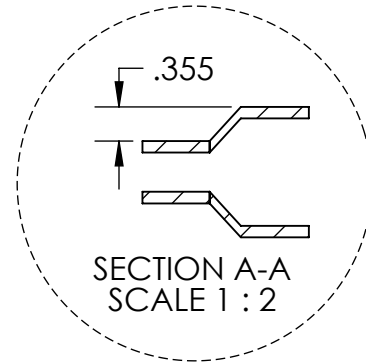
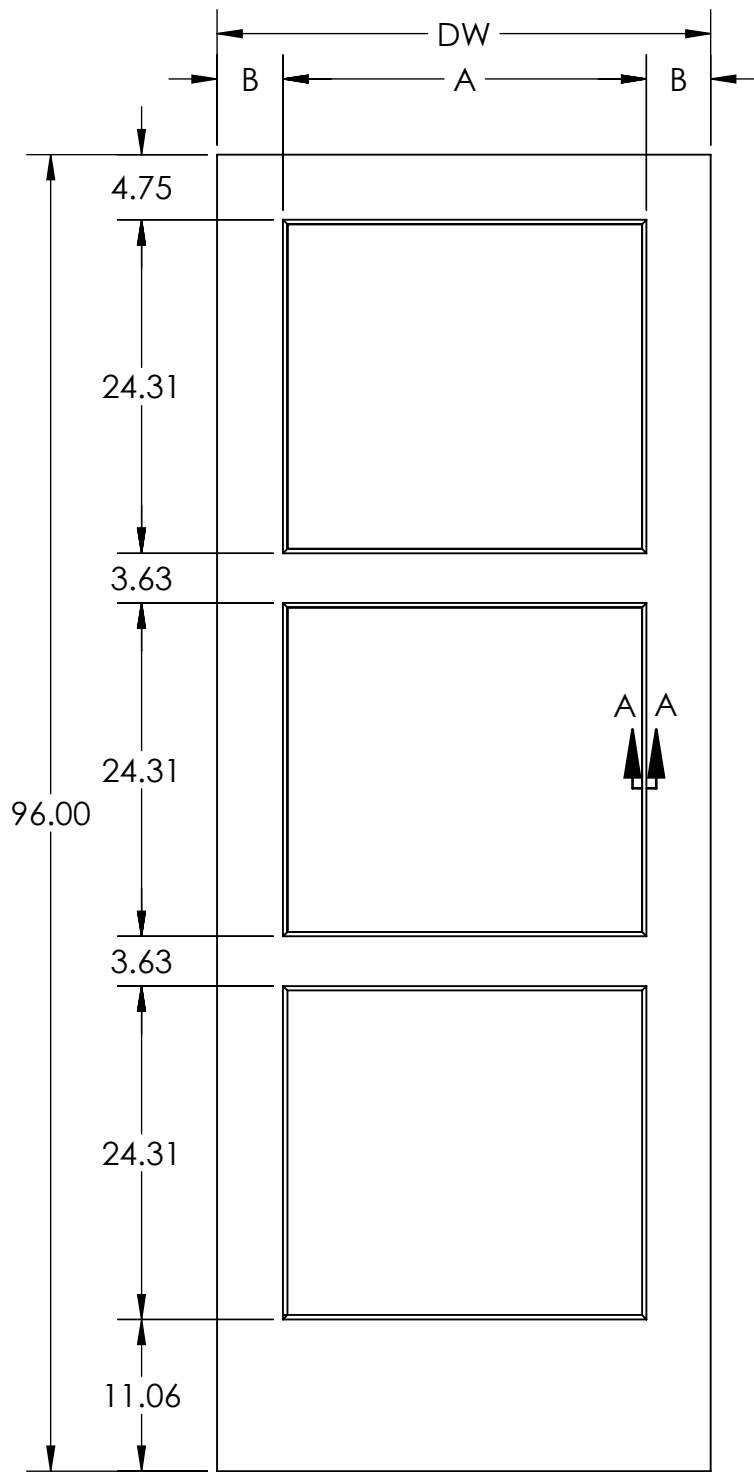
Molded Profile Door



DIMENSIONS ARE IN: inches
 DOOR TOLERANCES
 WIDTH (FULL WIDTH): ±1/16
 WIDTH (PREFIT): ±1/32
 HEIGHT: ±1/16
 SQUARE: ±1/8

THE INFORMATION CONTAINED IN THIS DRAWING IS THE SOLE PROPERTY OF Lynden Door, Inc. ANY REPRODUCTION IN PART OR AS A WHOLE WITHOUT THE WRITTEN PERMISSION OF Lynden Door, Inc. IS PROHIBITED.

A04-00058 | 11/27/18



Aberdeen 8'0"		
All dimensions nominal before prefit and bevel.		
DW	A	B
3-0	26.50	4.75
2-10	22.50	5.75
2-8	22.50	4.75
2-6	20.50	4.75
2-4	18.50	4.75
2-2*	18.50	3.75
2-0	15.50	4.25
1-10*	15.50	3.25
1-8*	15.50	2.25
1-6	9.25	4.38
Bottom rail dimension complies with ADA requirements.		
*Contact factory regarding availability of wider stile options.		

Aberdeen

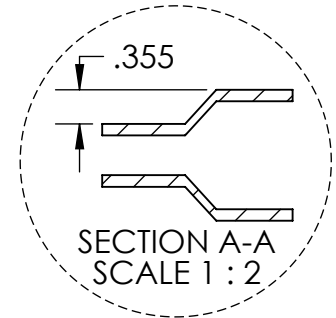
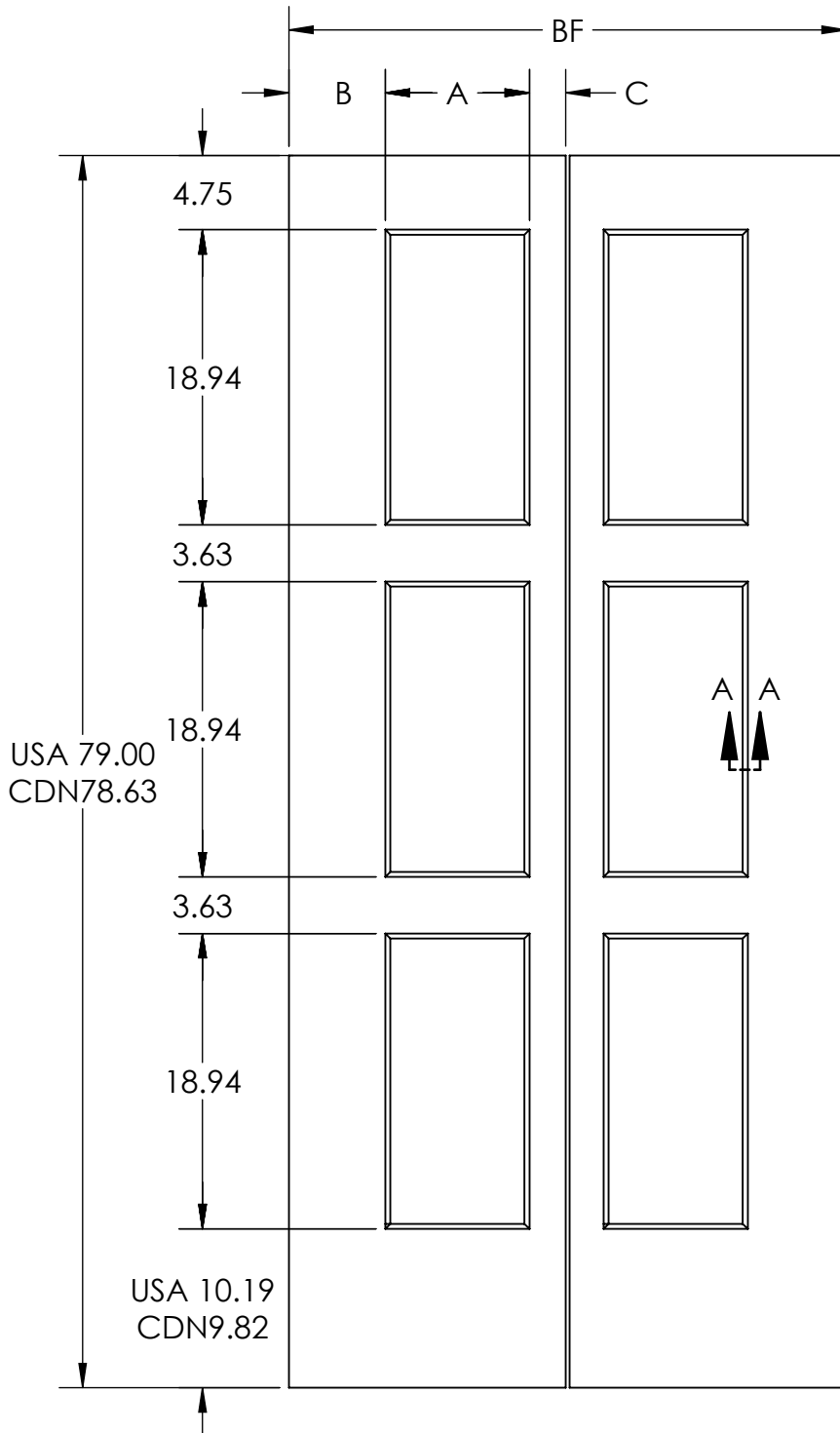
Molded Profile Door



DIMENSIONS ARE IN: inches
DOOR TOLERANCES
WIDTH (FULL WIDTH): ±1/16
WIDTH (PREFIT): ±1/32
HEIGHT: ±1/16
SQUARE: ±1/8

THE INFORMATION CONTAINED IN THIS DRAWING IS THE SOLE PROPERTY OF Lynden Door, Inc. ANY REPRODUCTION IN PART OR AS A WHOLE WITHOUT THE WRITTEN PERMISSION OF Lynden Door, Inc. IS PROHIBITED.

A04-00058 | 11/27/18



Aberdeen Bifold 6'8"			
BF	A	B	C
3-0	9.25	6.18	2.32
2-8	9.25	3.18	2.32
2-6	7.50	5.18	2.07
2-4	7.50	4.18	2.07
2-0	6.00	4.18	1.57
1-8	6.00	2.18	1.57
1-6	6.00	1.87	0.88
Use of heavy duty hardware may require additional undercut. Lynden Door standard is 3/4"			

Aberdeen

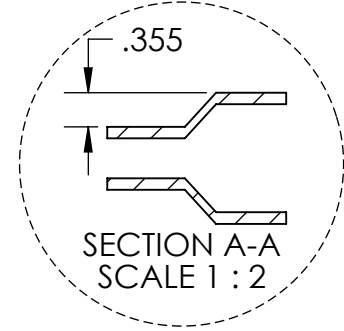
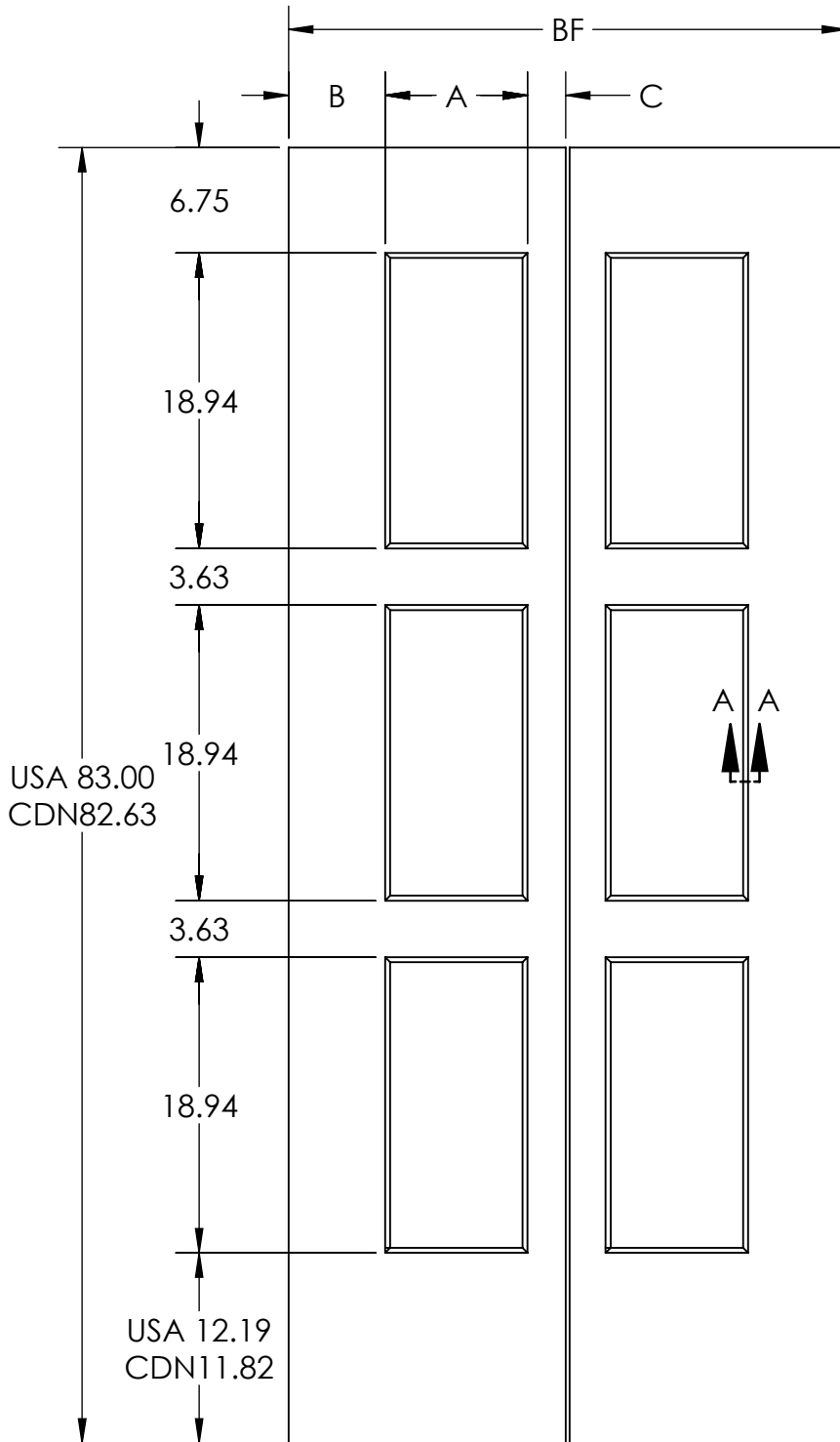
Molded Profile Bifold



DIMENSIONS ARE IN: Inches
 DOOR TOLERANCES
 WIDTH (FULL WIDTH): ±1/16
 WIDTH (PREFIT): ±1/32
 HEIGHT: ±1/16
 SQUARE: ±1/8

THE INFORMATION CONTAINED IN THIS DRAWING IS THE SOLE PROPERTY OF Lynden Door, Inc. ANY REPRODUCTION IN PART OR AS A WHOLE WITHOUT THE WRITTEN PERMISSION OF Lynden Door, Inc. IS PROHIBITED.

A04-00058 11/27/18



Aberdeen Bifold 7'0"			
BF	A	B	C
3-0*	9.25	6.18	2.32
2-8*	9.25	3.18	2.32
2-6*	7.50	5.18	2.07
2-4*	7.50	4.18	2.07
2-0*	6.00	4.18	1.57
1-8*	6.00	2.18	1.57
1-6*	6.00	1.87	0.88
Use of heavy duty hardware may require additional undercut. Lynden Door standard is 3/4"			
* Non-Stock, Contact factory for pricing and availability.			

Aberdeen

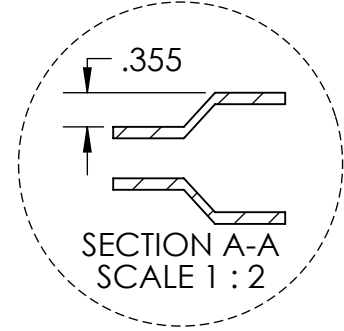
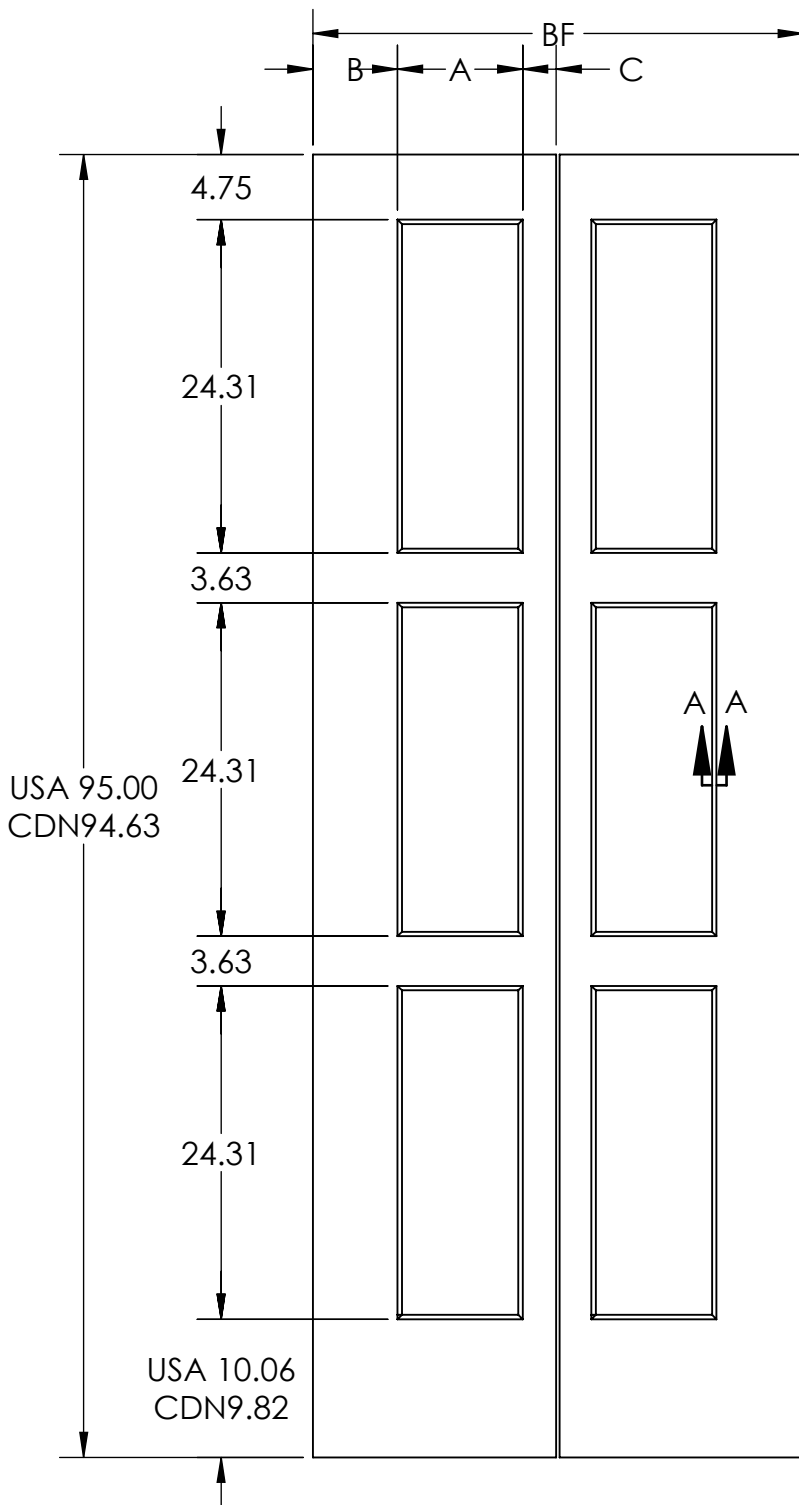
Molded Profile Bifold



DIMENSIONS ARE IN: inches
 DOOR TOLERANCES
 WIDTH (FULL WIDTH): ±1/16
 WIDTH (PREFIT): ±1/32
 HEIGHT: ±1/16
 SQUARE: ±1/8

THE INFORMATION CONTAINED IN THIS DRAWING IS THE SOLE PROPERTY OF Lynden Door, Inc. ANY REPRODUCTION IN PART OR AS A WHOLE WITHOUT THE WRITTEN PERMISSION OF Lynden Door, Inc. IS PROHIBITED.

A04-00058 11/27/18



Aberdeen Bifold 8'0"			
BF	A	B	C
3-0*	9.25	6.18	2.32
2-8*	9.25	3.18	2.32
2-6*	7.50	5.18	2.07
2-4*	7.50	4.18	2.07
2-0*	6.00	4.18	1.57
1-8*	6.00	2.18	1.57
1-6*	6.00	1.87	0.88
Use of heavy duty hardware may require additional undercut. Lynden Door standard is 3/4"			
* Non-Stock, Contact factory for pricing and availability.			

Aberdeen

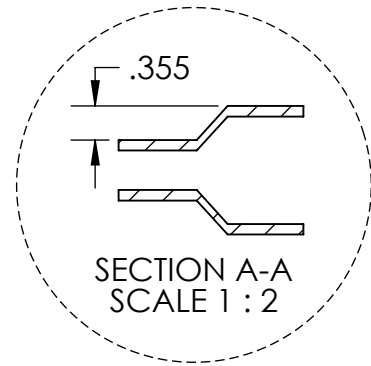
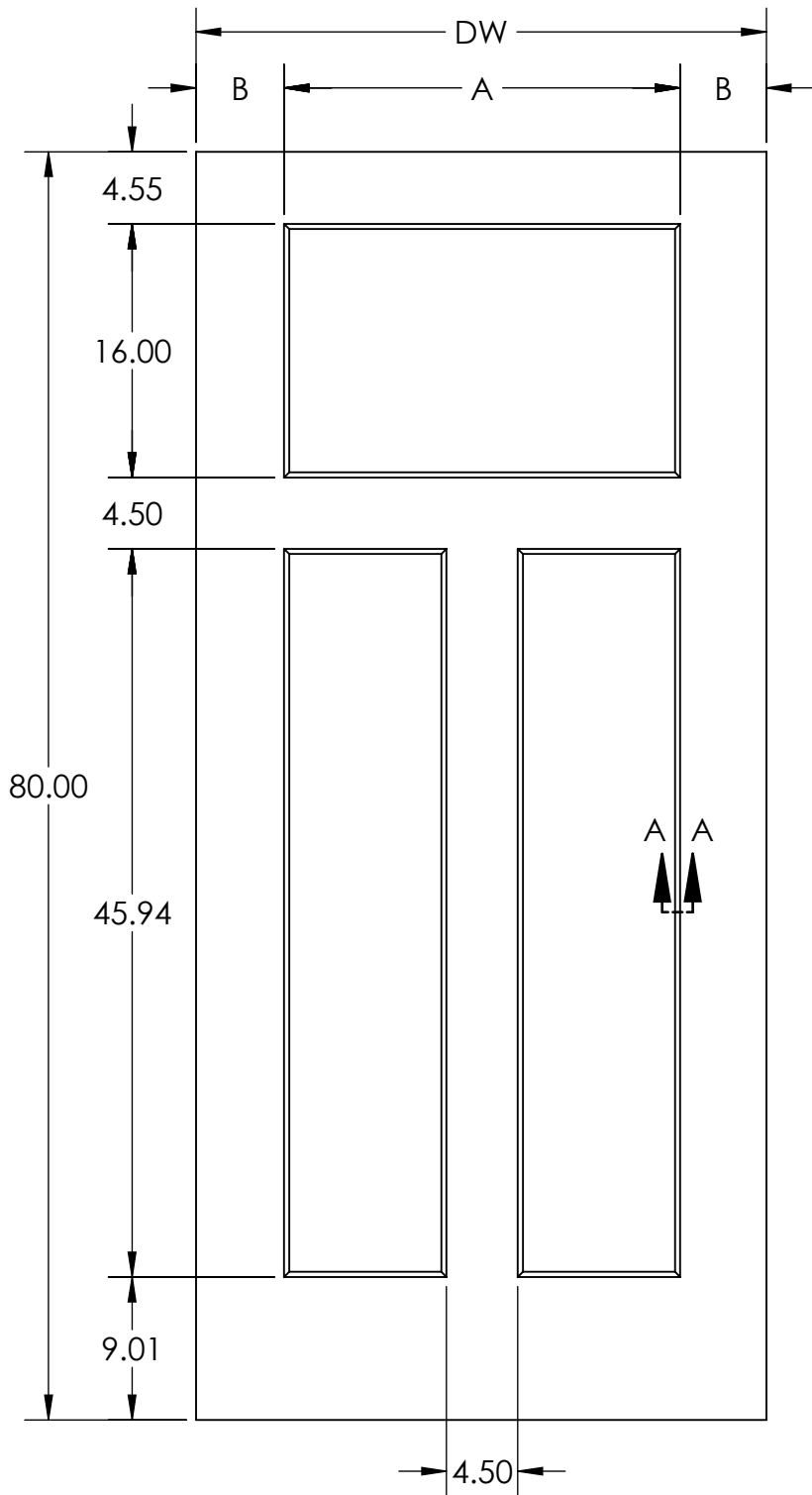
Molded Profile Bifold



DIMENSIONS ARE IN: inches
DOOR TOLERANCES
WIDTH (FULL WIDTH): $\pm 1/16$
WIDTH (PREFIT): $\pm 1/32$
HEIGHT: $\pm 1/16$
SQUARE: $\pm 1/8$

THE INFORMATION CONTAINED IN THIS DRAWING IS THE SOLE PROPERTY OF Lynden Door, Inc. ANY REPRODUCTION IN PART OR AS A WHOLE WITHOUT THE WRITTEN PERMISSION OF Lynden Door, Inc. IS PROHIBITED.

A04-00058 11/27/18



Yarrow 6'8"		
All dimensions nominal before prefit and bevel.		
DW	A	B
3-0	25.00	5.50
2-10	25.00	4.50
2-8	21.00	5.50
2-6	21.00	4.50
2-4	17.00	5.50
2-2	17.00	4.50
2-0	15.00	4.50
1-10	15.00	3.50
Bottom rail dimension does not comply with ADA requirements.		

Yarrow (Craftsman)

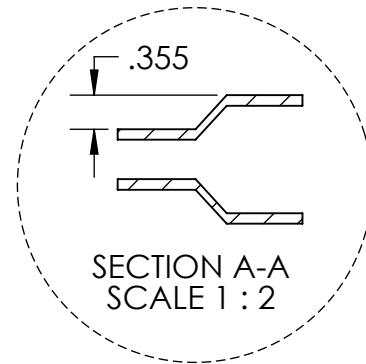
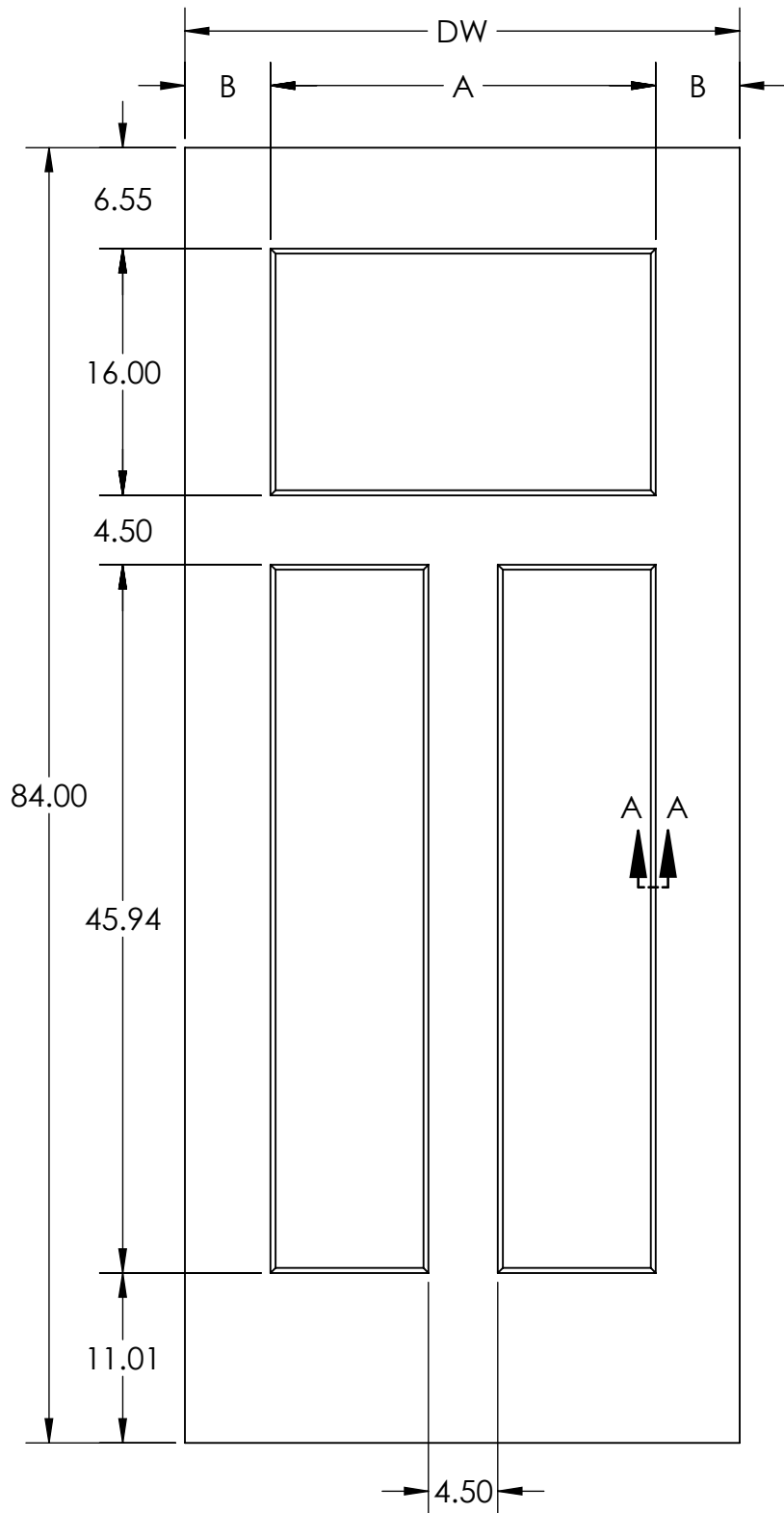
Molded Profile Door



DIMENSIONS ARE IN: inches
 DOOR TOLERANCES
 WIDTH (FULL WIDTH): $\pm 1/16$
 WIDTH (PREFIT): $\pm 1/32$
 HEIGHT: $\pm 1/16$
 SQUARE: $\pm 1/8$

THE INFORMATION CONTAINED IN THIS DRAWING IS THE SOLE PROPERTY OF Lynden Door, Inc. ANY REPRODUCTION IN PART OR AS A WHOLE WITHOUT THE WRITTEN PERMISSION OF Lynden Door, Inc. IS PROHIBITED.

A04-00049 01/15/19



Yarrow 7'0"		
All dimensions nominal before prefit and bevel.		
DW	A	B
3-0	25.00	5.50
2-10	25.00	4.50
2-8	21.00	5.50
2-6	21.00	4.50
2-4	17.00	5.50
2-2	17.00	4.50
2-0	15.00	4.50
1-10	15.00	3.50
Bottom rail dimension complies with ADA requirements.		

Yarrow (Craftsman)

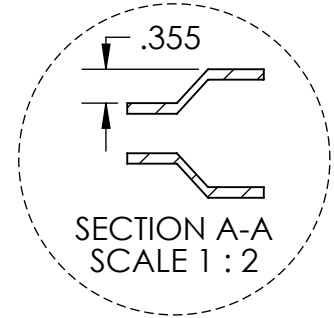
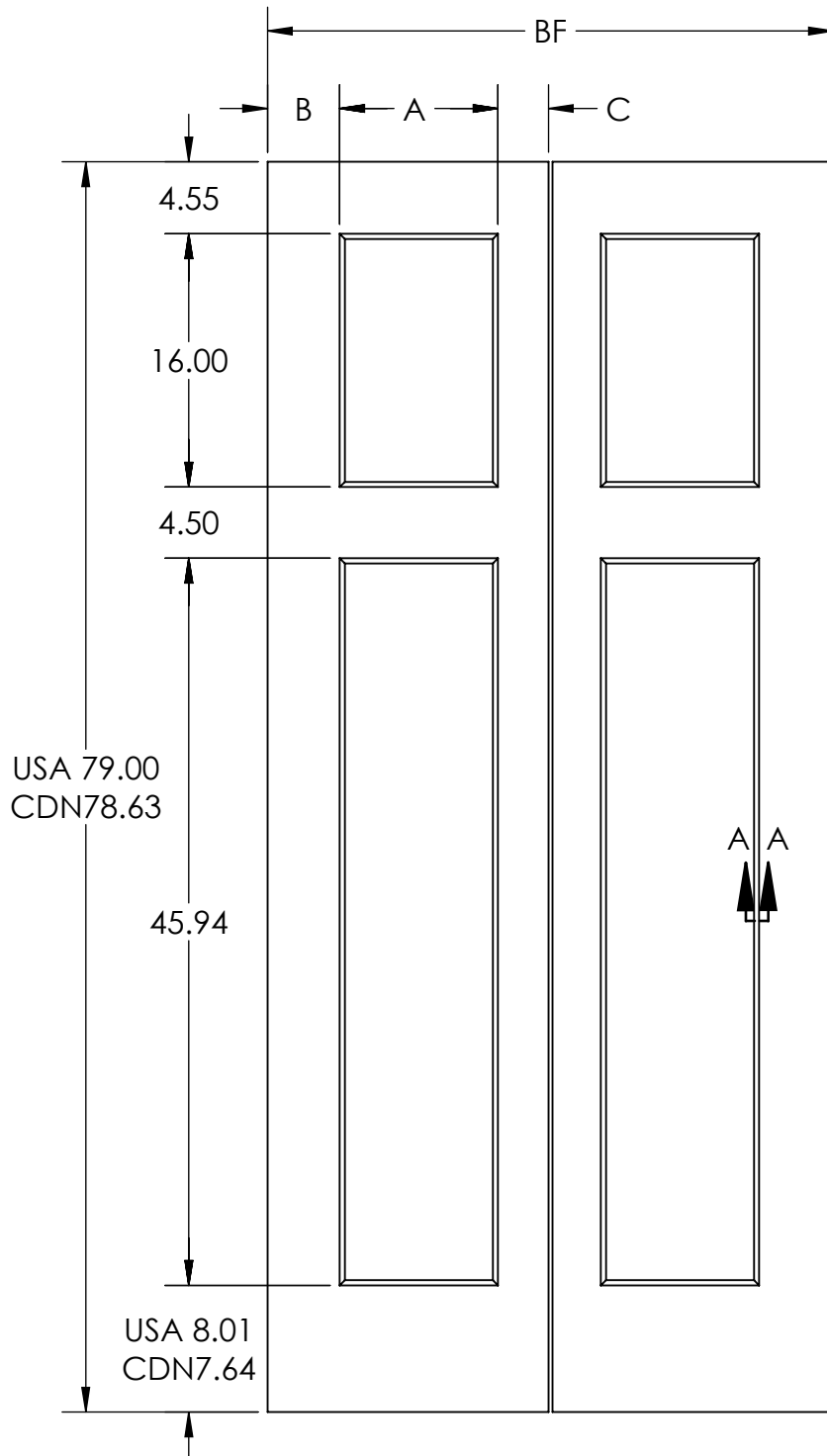
Molded Profile Door



DIMENSIONS ARE IN: inches
 DOOR TOLERANCES
 WIDTH (FULL WIDTH): $\pm 1/16$
 WIDTH (PREFIT): $\pm 1/32$
 HEIGHT: $\pm 1/16$
 SQUARE: $\pm 1/8$

THE INFORMATION CONTAINED IN THIS DRAWING IS THE SOLE PROPERTY OF Lynden Door, Inc. ANY REPRODUCTION IN PART OR AS A WHOLE WITHOUT THE WRITTEN PERMISSION OF Lynden Door, Inc. IS PROHIBITED.

A04-00049 01/15/19



Yarrow Bifold 6'8"			
BF	A	B	C
3-0	8.25	4.80	4.70
2-8	8.25	4.70	2.80
2-6	6.00	4.38	4.38
2-4	6.00	4.38	3.38
2-0	4.00	3.88	3.88
1-8	4.00	3.88	1.88
1-6	4.00	3.12	1.63

Use of heavy duty hardware may require additional undercut. Lynden Door standard is 3/4"

Yarrow (Craftsman)

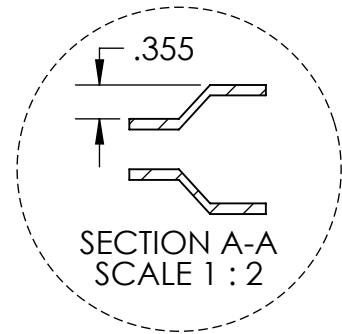
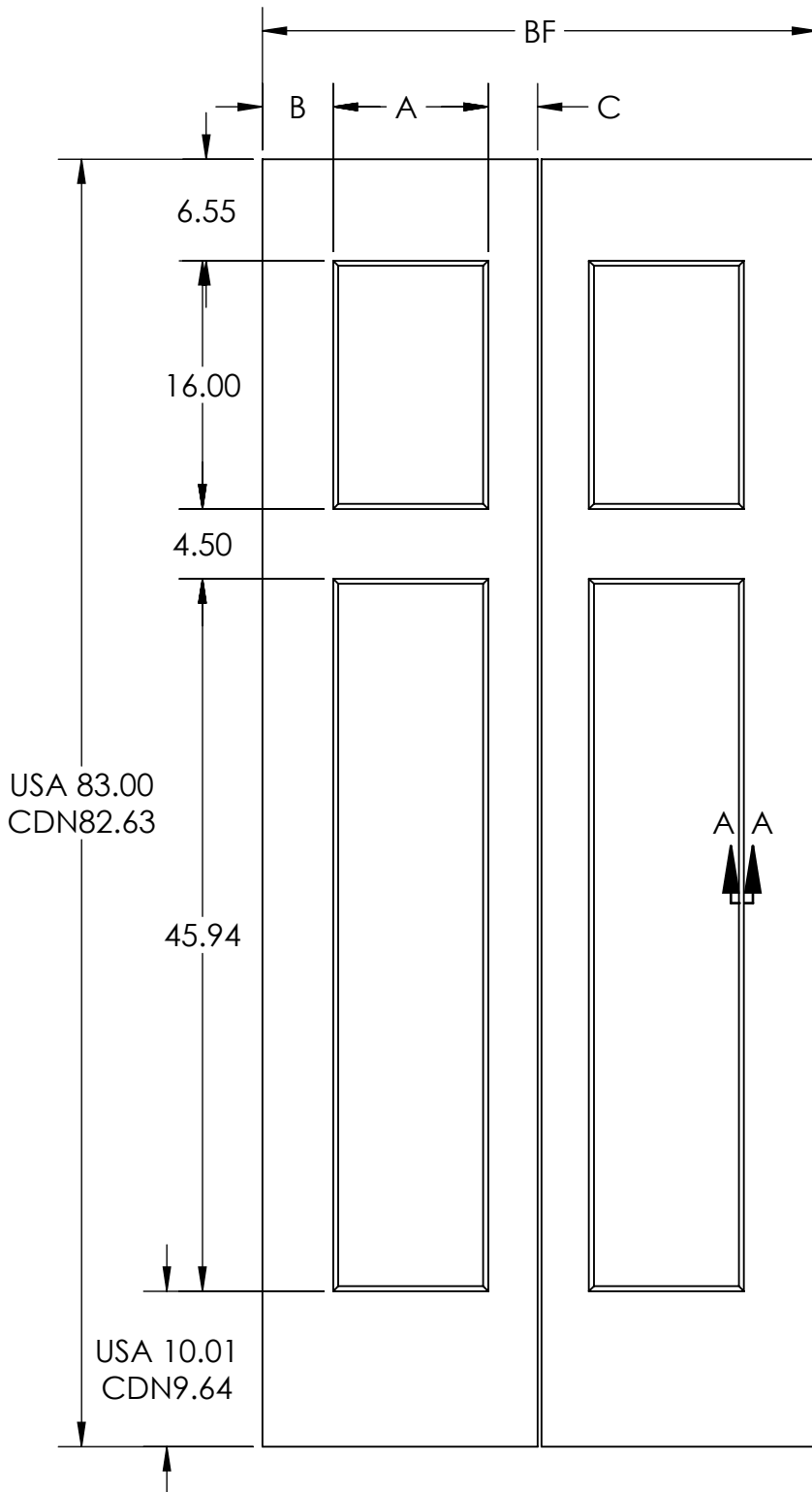
Molded Profile Bifold



DIMENSIONS ARE IN: Inches
 DOOR TOLERANCES
 WIDTH (FULL WIDTH): ±1/16
 WIDTH (PREFIT): ±1/32
 HEIGHT: ±1/16
 SQUARE: ±1/8

THE INFORMATION CONTAINED IN THIS DRAWING IS THE SOLE PROPERTY OF Lynden Door, Inc. ANY REPRODUCTION IN PART OR AS A WHOLE WITHOUT THE WRITTEN PERMISSION OF Lynden Door, Inc. IS PROHIBITED.

A04-00049 01/15/19



Yarrow Bifold 7'0"			
BF	A	B	C
3-0*	8.25	4.80	4.70
2-8*	8.25	4.70	2.80
2-6*	6.00	4.38	4.38
2-4*	6.00	4.38	3.38
2-0*	4.00	3.88	3.88
1-8*	4.00	3.88	1.88
1-6*	4.00	3.12	1.63

Use of heavy duty hardware may require additional undercut. Lynden Door standard is 3/4"

*** Non-Stock, Contact factory for pricing and availability.**

Yarrow (Craftsman)

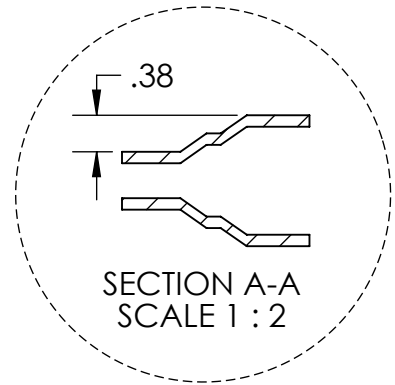
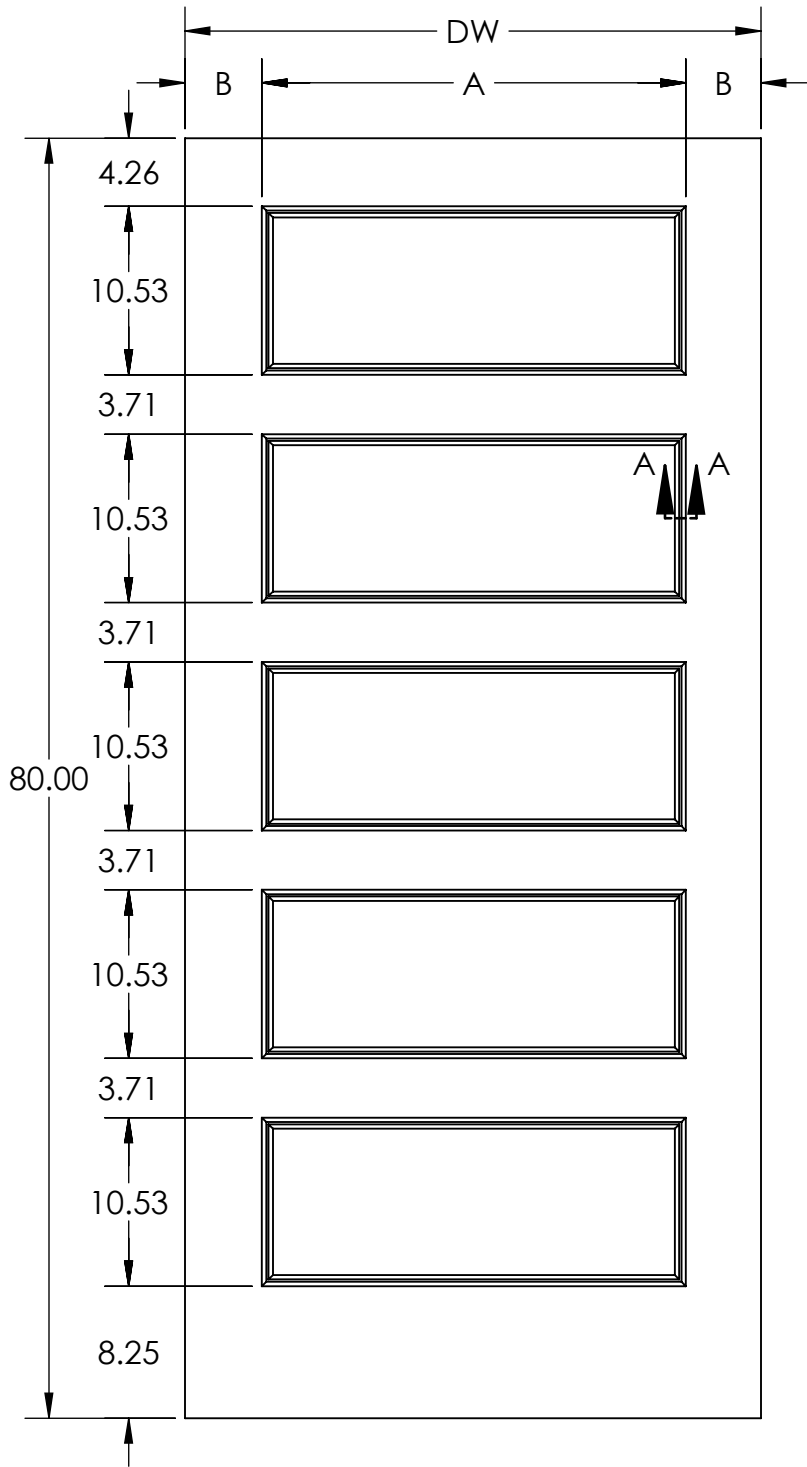
Molded Profile Bifold

LD Lynden Door
Open Your Future

DIMENSIONS ARE IN: Inches
DOOR TOLERANCES
WIDTH (FULL WIDTH): ±1/16
WIDTH (PREFIT): ±1/32
HEIGHT: ±1/16
SQUARE: ±1/8

THE INFORMATION CONTAINED IN THIS DRAWING IS THE SOLE PROPERTY OF Lynden Door, Inc. ANY REPRODUCTION IN PART OR AS A WHOLE WITHOUT THE WRITTEN PERMISSION OF Lynden Door, Inc. IS PROHIBITED.

A04-00049 01/15/19



Winthrop 6'8"		
All dimensions nominal before prefit and bevel.		
DW	A	B
3-0	25.70	5.15
2-10	23.70	5.15
2-8	23.70	4.15
2-6	21.70	4.15
2-4	19.70	4.15
2-2	15.70	5.15
2-0	15.70	4.15
1-10	15.70	3.15
1-8	9.70	5.15
1-6	9.70	4.15
Bottom rail dimension does not comply with ADA requirements.		

Winthrop (Conmore)

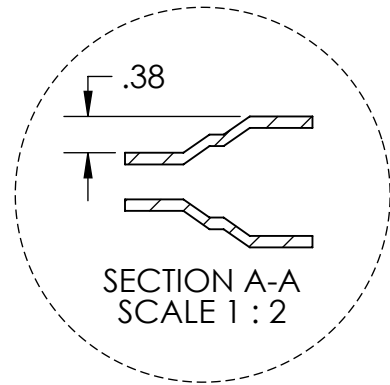
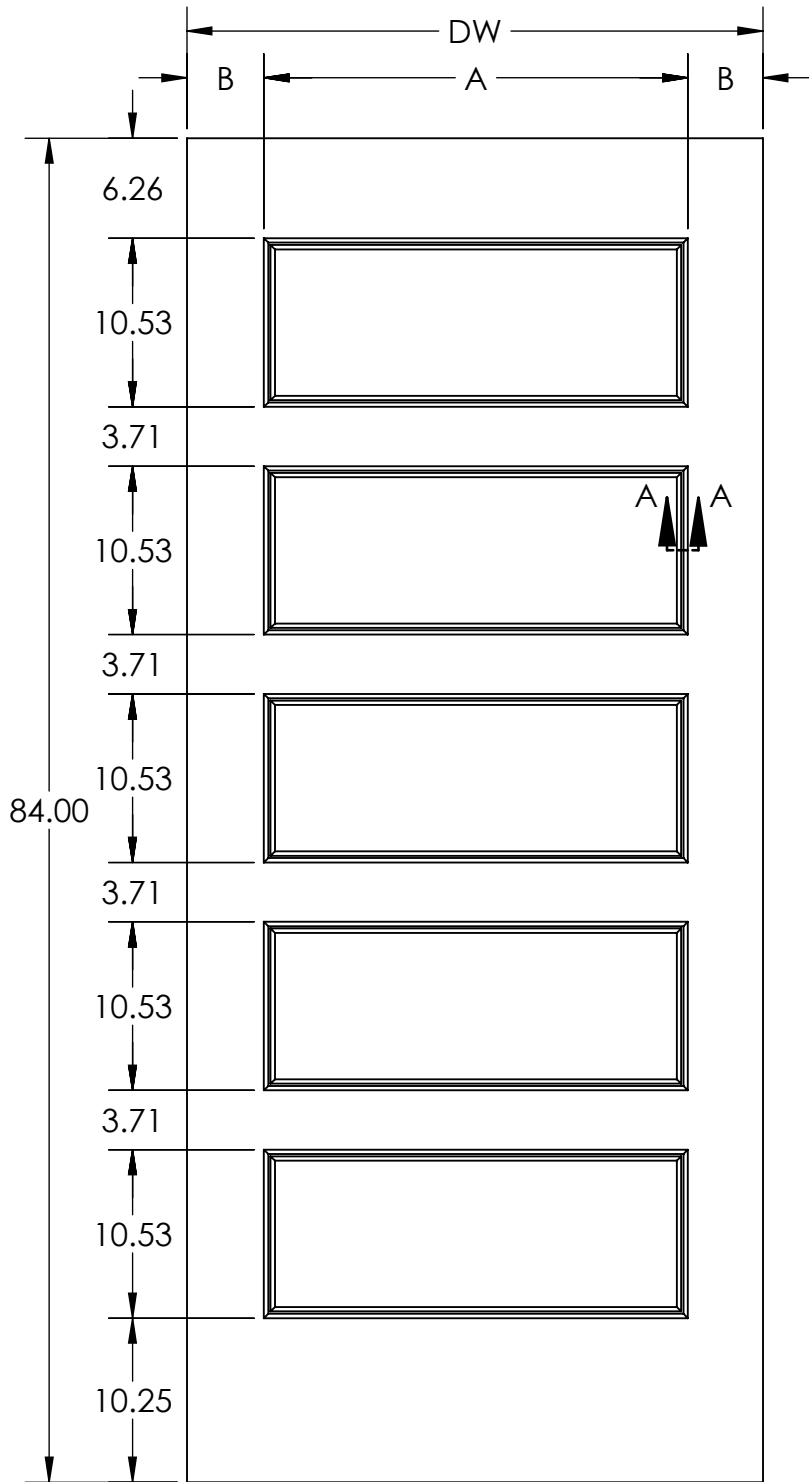
Molded Profile Door



DIMENSIONS ARE IN: inches
 DOOR TOLERANCES
 WIDTH (FULL WIDTH): ±1/16
 WIDTH (PREFIT): ±1/32
 HEIGHT: ±1/16
 SQUARE: ±1/8

THE INFORMATION CONTAINED IN THIS DRAWING IS THE SOLE PROPERTY OF Lynden Door, Inc. ANY REPRODUCTION IN PART OR AS A WHOLE WITHOUT THE WRITTEN PERMISSION OF Lynden Door, Inc. IS PROHIBITED.

A04-00046 01/15/19



Winthrop 7'0"		
All dimensions nominal before prefit and bevel.		
DW	A	B
3-0	25.7	5.15
2-10	23.7	5.15
2-8	23.7	4.15
2-6	21.7	4.15
2-4	19.7	4.15
2-2*	15.7	5.15
2-0*	15.7	4.15
1-10*	15.7	3.15
1-8*	9.7	5.15
1-6*	9.7	4.15
Bottom rail dimension complies with ADA requirements.		
* Non-Stock, Contact factory for pricing and availability.		

Winthrop (Conmore)

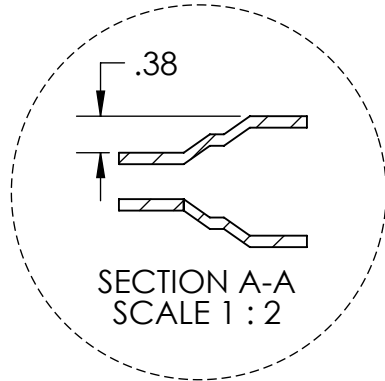
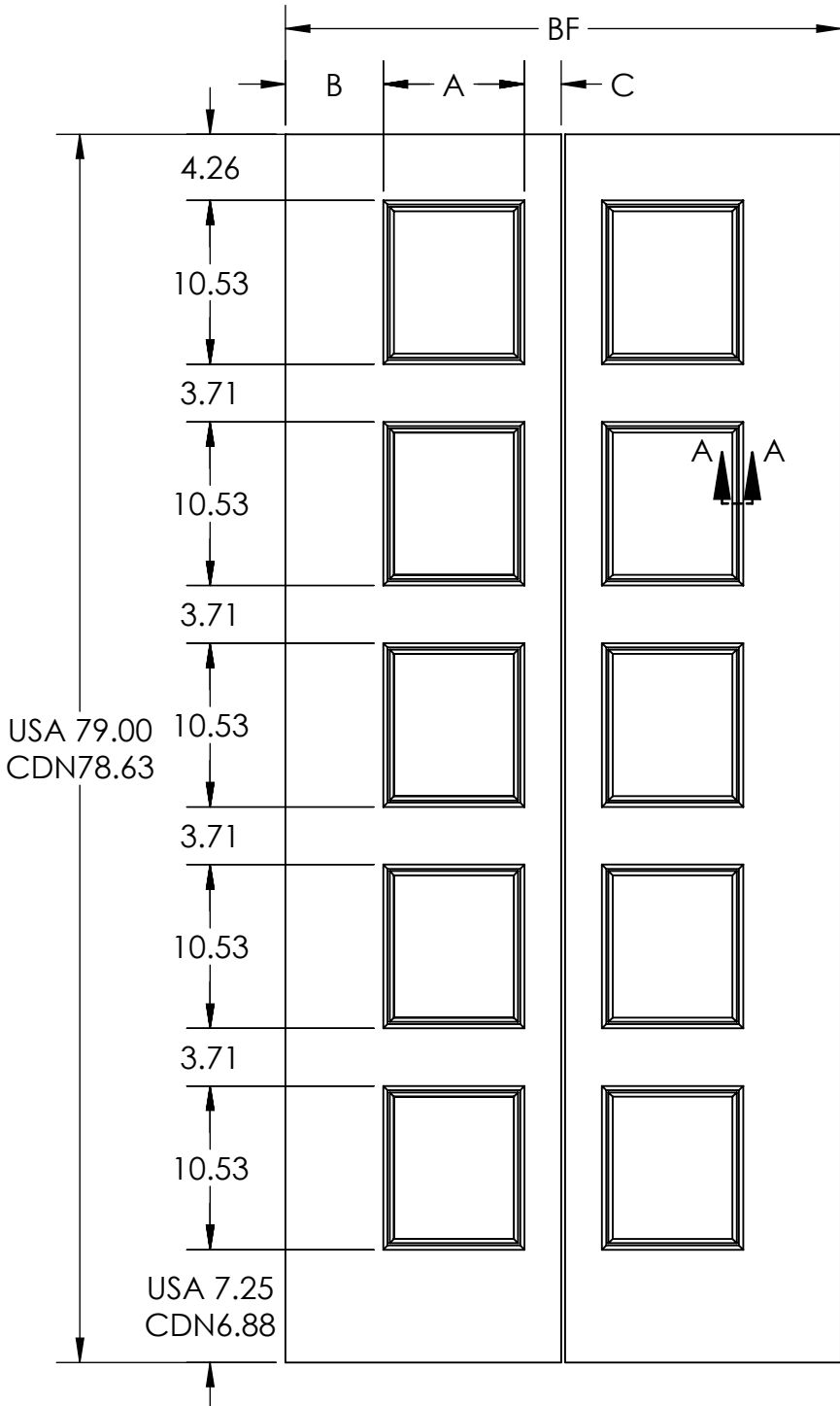
Molded Profile Door



DIMENSIONS ARE IN: Inches
 DOOR TOLERANCES
 WIDTH (FULL WIDTH): ±1/16
 WIDTH (PREFIT): ±1/32
 HEIGHT: ±1/16
 SQUARE: ±1/8

THE INFORMATION CONTAINED IN THIS DRAWING IS THE SOLE PROPERTY OF Lynden Door, Inc. ANY REPRODUCTION IN PART OR AS A WHOLE WITHOUT THE WRITTEN PERMISSION OF Lynden Door, Inc. IS PROHIBITED.

A04-00046 01/15/19



Winthrop Bifold 6'8"			
BF	A	B	C
3-0	9.09	6.41	2.25
2-8	9.09	4.41	2.25
2-6	9.09	3.41	2.25
2-4	9.09	2.41	2.25
2-0	6.79	3.30	1.66
1-8	6.79	1.66	1.30
1-6	6.79	1.05	0.91

Use of heavy duty hardware may require additional undercut. Lynden Door standard is 3/4"

Winthrop (Conmore)

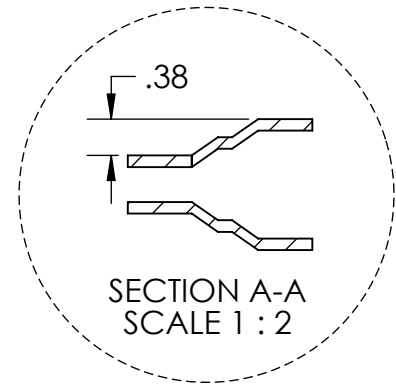
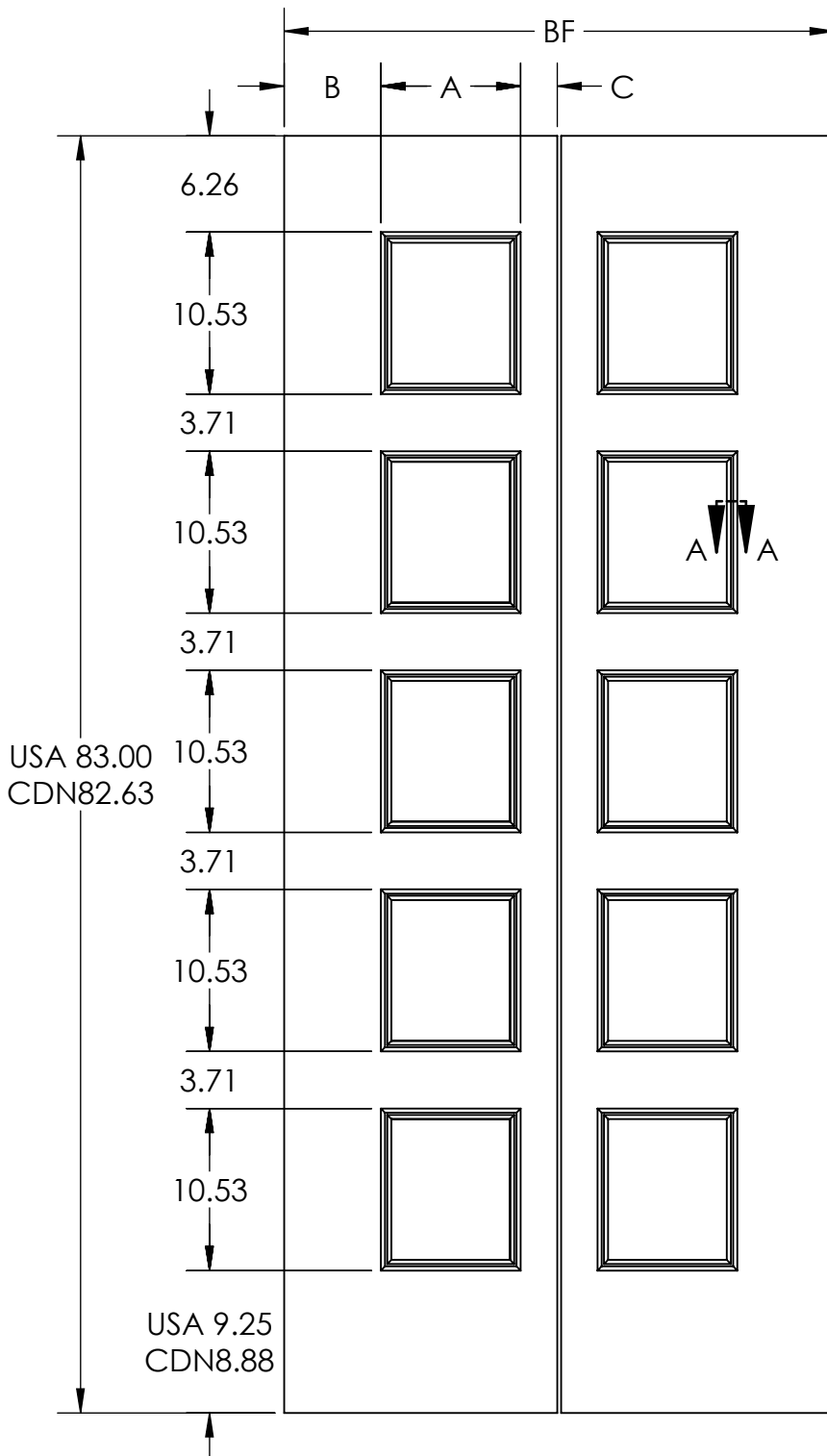
Molded Profile Bifold



DIMENSIONS ARE IN: Inches
DOOR TOLERANCES
WIDTH (FULL WIDTH): ±1/16
WIDTH (PREFIT): ±1/32
HEIGHT: ±1/16
SQUARE: ±1/8

THE INFORMATION CONTAINED IN THIS DRAWING IS THE SOLE PROPERTY OF Lynden Door, Inc. ANY REPRODUCTION IN PART OR AS A WHOLE WITHOUT THE WRITTEN PERMISSION OF Lynden Door, Inc. IS PROHIBITED.

A04-00046 01/15/19



Winthrop Bifold 7'0"			
BF	A	B	C
3-0*	9.09	6.41	2.25
2-8*	9.09	4.41	2.25
2-6*	9.09	3.41	2.25
2-4*	9.09	2.41	2.25
2-0*	6.79	3.30	1.66
1-8*	6.79	1.66	1.30
1-6*	6.79	1.05	0.91
Use of heavy duty hardware may require additional undercut. Lynden Door standard is 3/4"			
* Non-Stock, Contact factory for pricing and availability.			

Winthrop (Conmore)

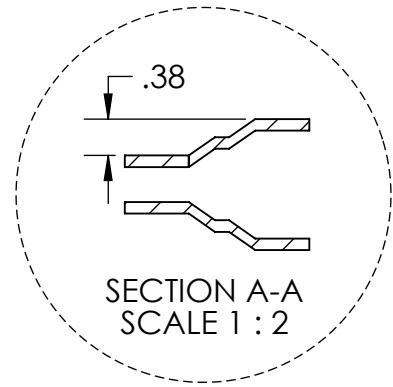
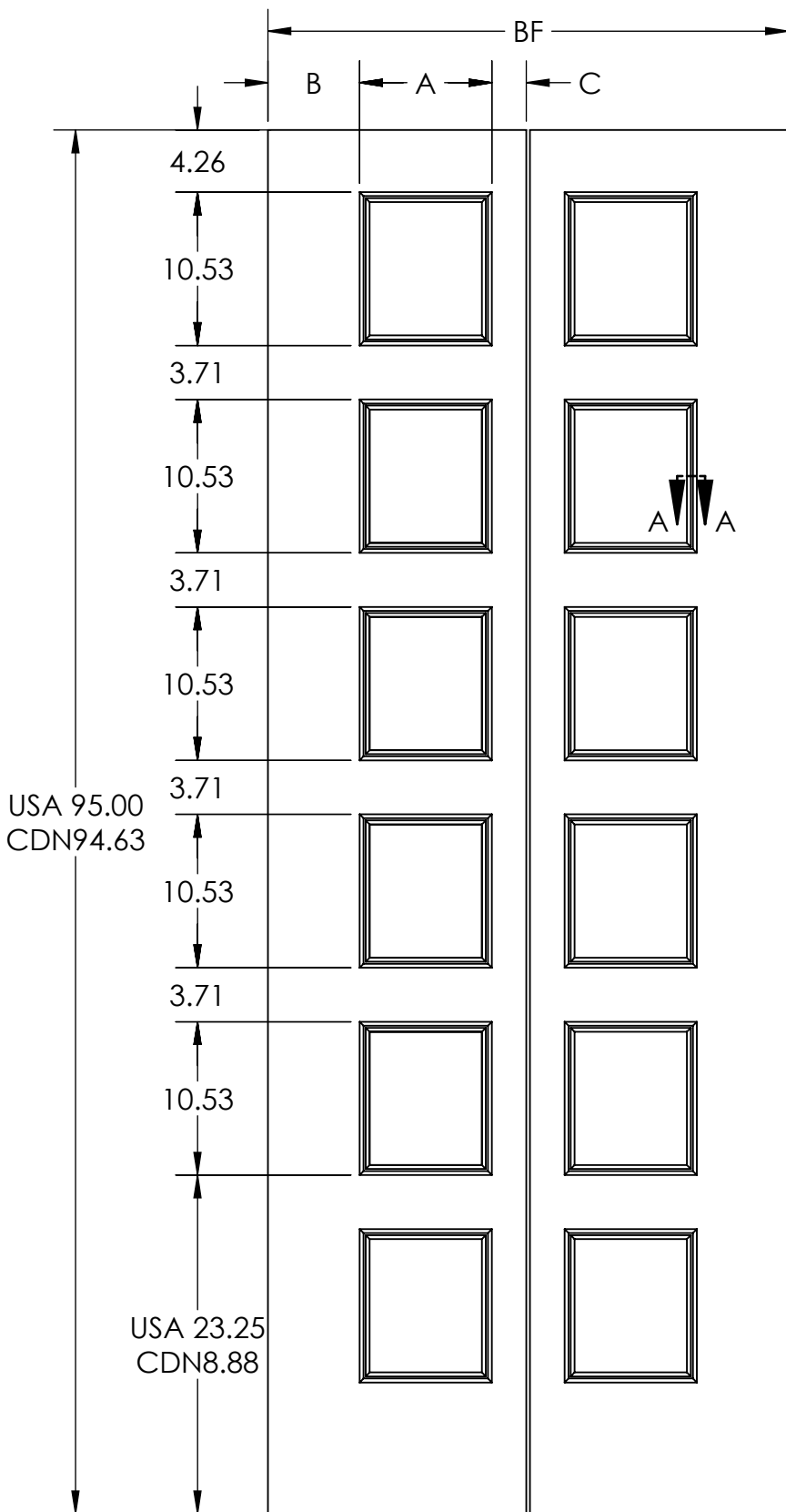
Molded Profile Bifold



DIMENSIONS ARE IN: Inches
 DOOR TOLERANCES
 WIDTH (FULL WIDTH): ±1/16
 WIDTH (PREFIT): ±1/32
 HEIGHT: ±1/16
 SQUARE: ±1/8

THE INFORMATION CONTAINED IN THIS DRAWING IS THE SOLE PROPERTY OF Lynden Door, Inc. ANY REPRODUCTION IN PART OR AS A WHOLE WITHOUT THE WRITTEN PERMISSION OF Lynden Door, Inc. IS PROHIBITED.

A04-00046 01/15/19



Winthrop Bifold 8'0"			
BF	A	B	C
3-0*	9.09	6.41	2.25
2-8*	9.09	4.41	2.25
2-6*	9.09	3.41	2.25
2-4*	9.09	2.41	2.25
2-0*	6.79	3.30	1.66
1-8*	6.79	1.66	1.30
1-6*	6.79	1.05	0.91
Use of heavy duty hardware may require additional undercut. Lynden Door standard is 3/4"			
* Non-Stock, Contact factory for pricing and availability.			

Winthrop (Conmore)

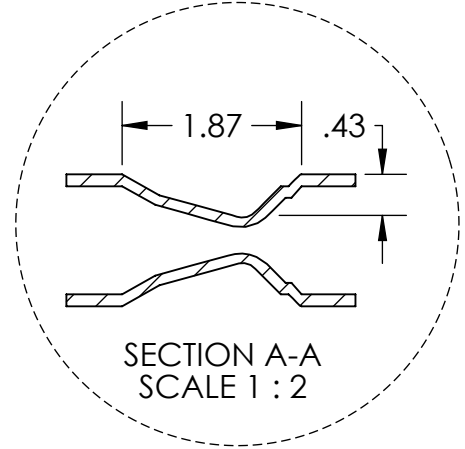
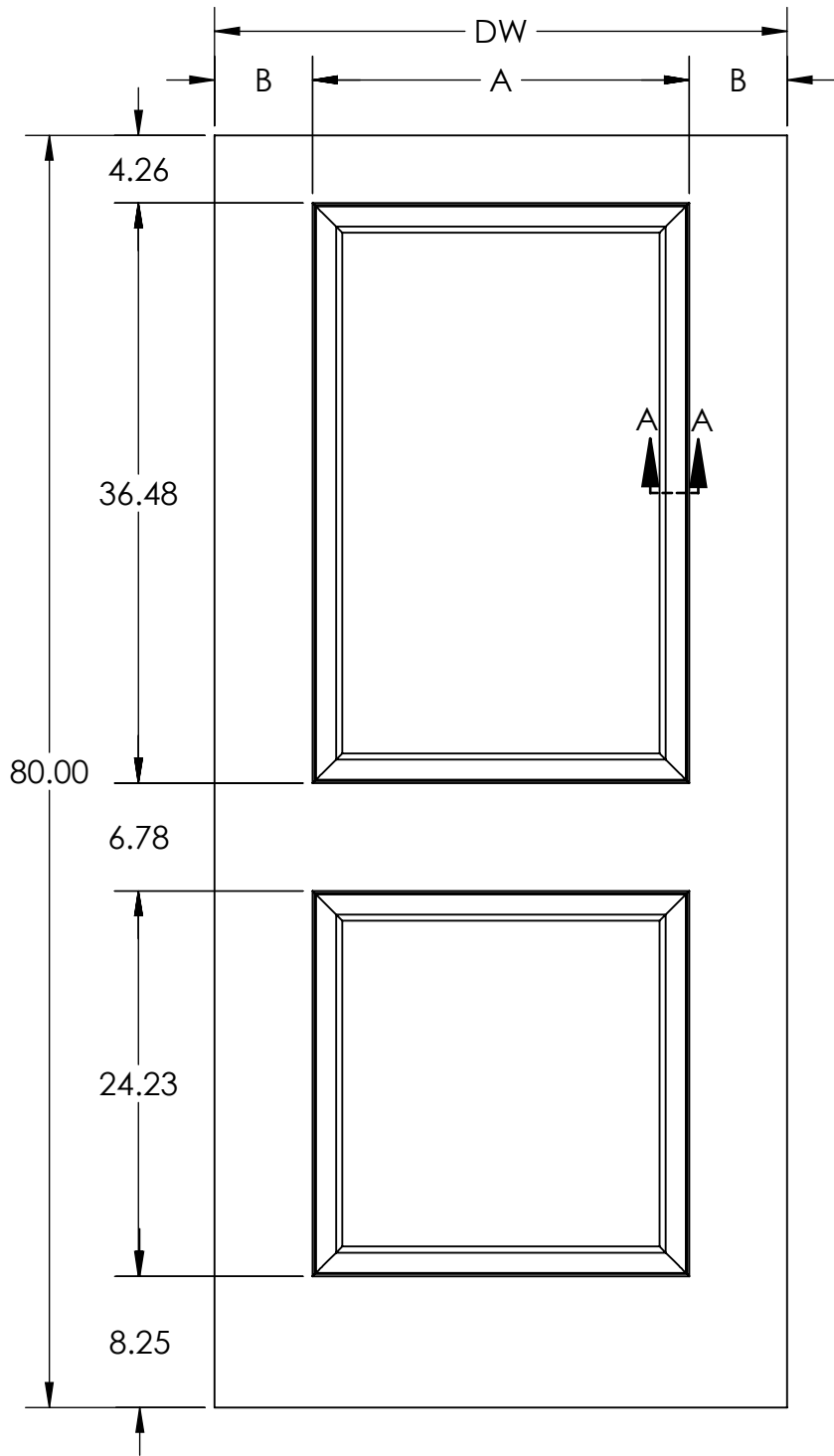
Molded Profile Bifold



DIMENSIONS ARE IN: Inches
 DOOR TOLERANCES
 WIDTH (FULL WIDTH): ±1/16
 WIDTH (PREFIT): ±1/32
 HEIGHT: ±1/16
 SQUARE: ±1/8

THE INFORMATION CONTAINED IN THIS DRAWING IS THE SOLE PROPERTY OF Lynden Door, Inc. ANY REPRODUCTION IN PART OR AS A WHOLE WITHOUT THE WRITTEN PERMISSION OF Lynden Door, Inc. IS PROHIBITED.

A04-00046 01/15/19



Kingston 6'8"		
All dimensions nominal before prefit and bevel.		
DW	A	B
3-0	23.69	6.15
2-10	21.69	6.15
2-8	21.69	5.15
2-6	19.69	5.15
2-4	17.69	5.15
2-2	15.69	5.15
2-0	15.69	4.15
1-10	15.69	3.15
1-8	11.96	4.02
1-6	11.96	3.02
1-4	7.08	4.46

Bottom rail dimension does not comply with ADA requirements.

Kingston (Carrara)

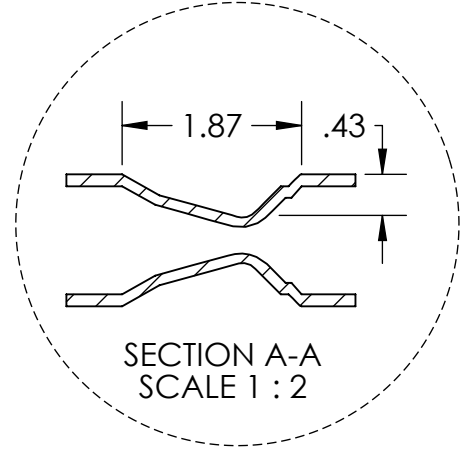
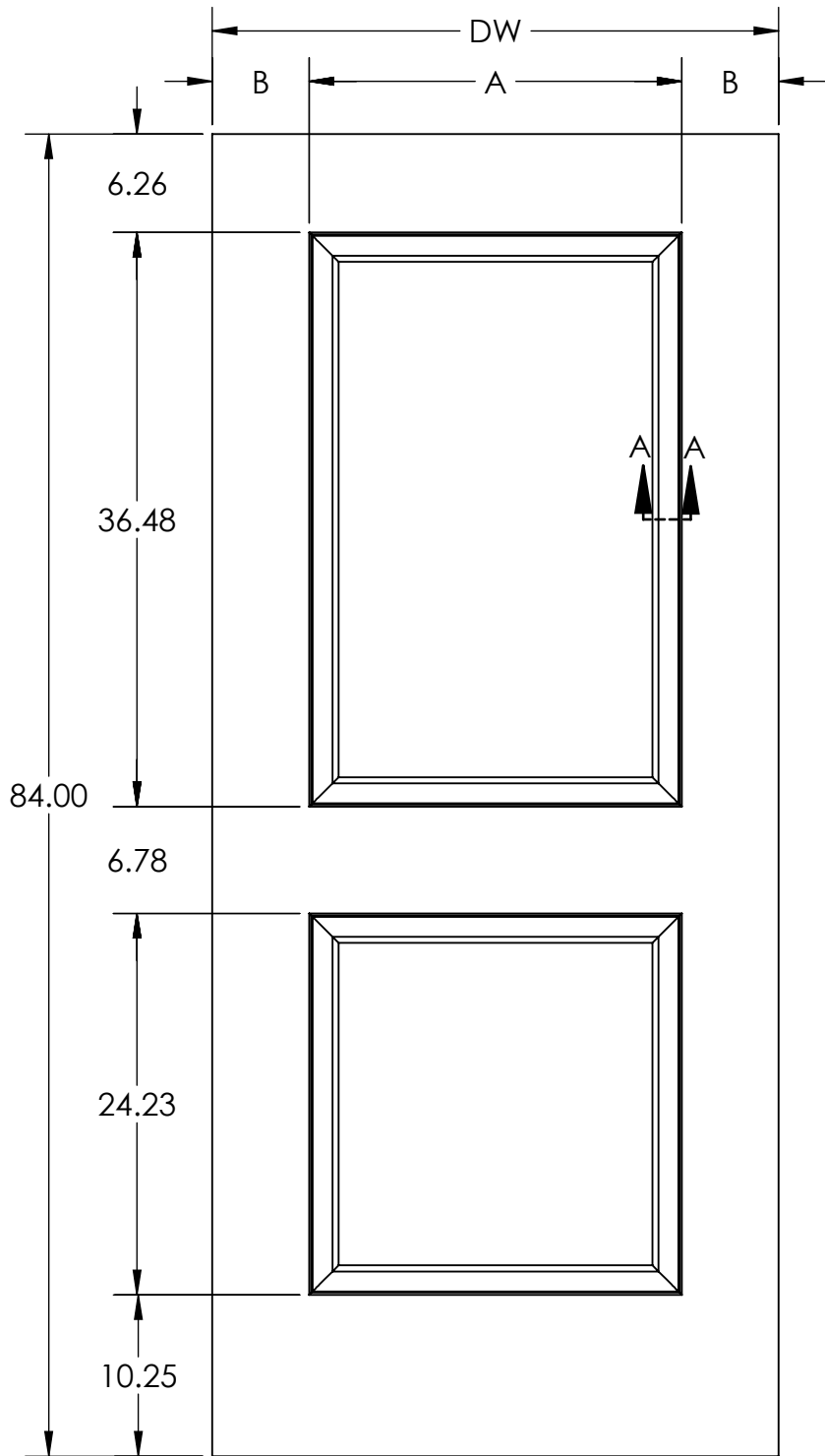
Molded Profile Door

LD Lynden Door
Open Your Future

DIMENSIONS ARE IN: inches
DOOR TOLERANCES
WIDTH (FULL WIDTH): $\pm 1/16$
WIDTH (PREFIT): $\pm 1/32$
HEIGHT: $\pm 1/16$
SQUARE: $\pm 1/8$

THE INFORMATION CONTAINED IN THIS DRAWING IS THE SOLE PROPERTY OF Lynden Door, Inc. ANY REPRODUCTION IN PART OR AS A WHOLE WITHOUT THE WRITTEN PERMISSION OF Lynden Door, Inc. IS PROHIBITED.

A04-00043 02/07/19



Kingston 7'0"		
All dimensions nominal before prefit and bevel.		
DW	A	B
3-0	23.69	6.15
2-10	21.69	6.15
2-8	21.69	5.15
2-6	19.69	5.15
2-4	17.69	5.15
2-2	15.69	5.15
2-0	15.69	4.15
1-10	15.69	3.15
1-8	11.96	4.02
1-6	11.96	3.02
1-4*	7.08	4.46
Bottom rail dimension complies with ADA requirements.		
* Non-Stock, Contact factory for pricing and availability.		

Kingston (Carrara)

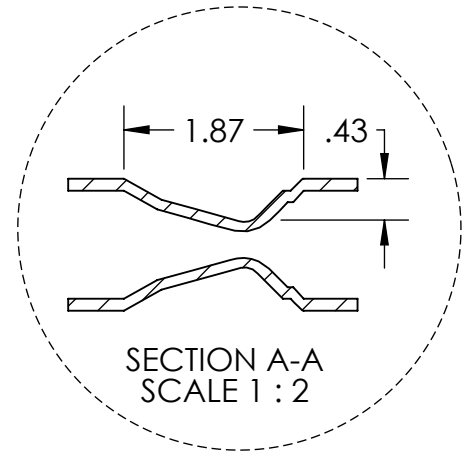
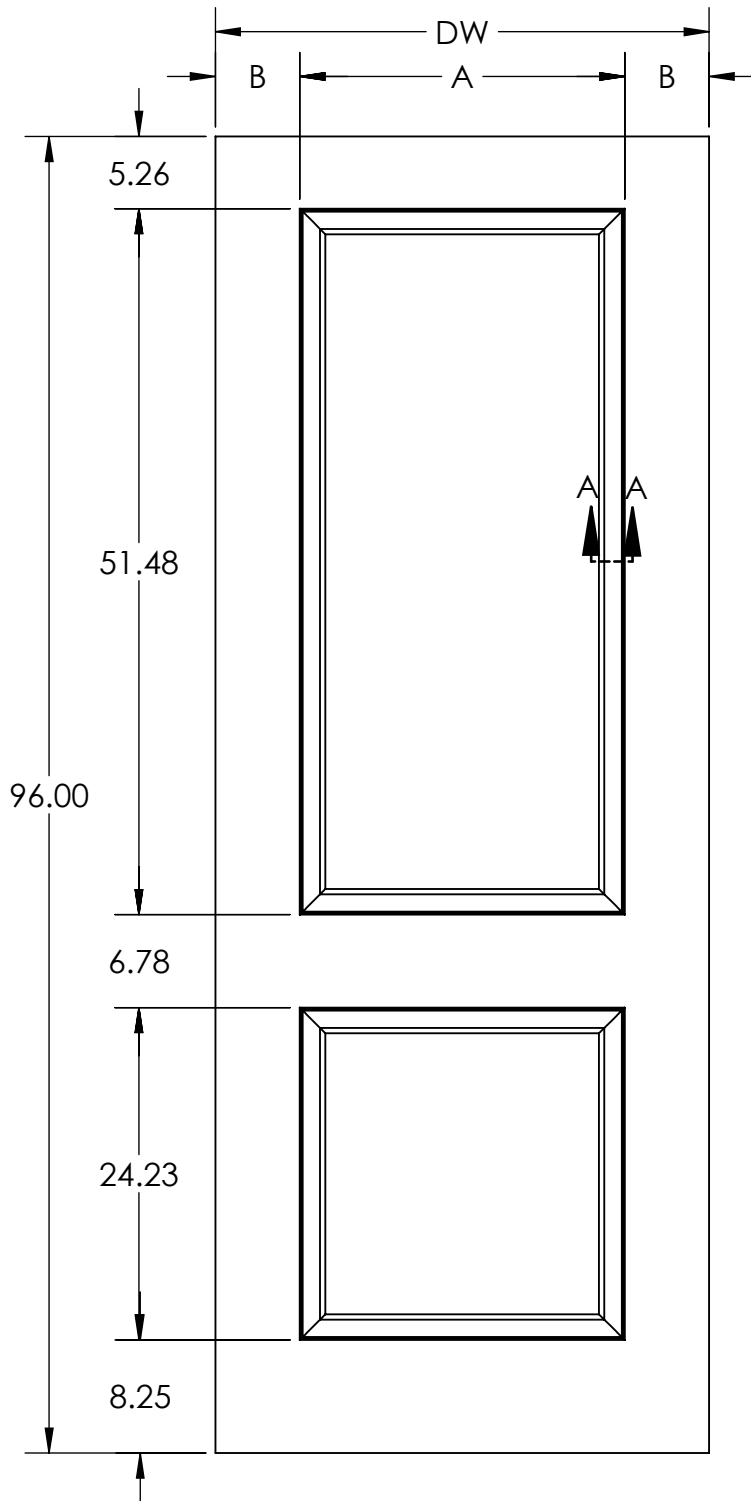
Molded Profile Door

LD Lynden Door
Open Your Future

DIMENSIONS ARE IN: inches
DOOR TOLERANCES
WIDTH (FULL WIDTH): $\pm 1/16$
WIDTH (PREFIT): $\pm 1/32$
HEIGHT: $\pm 1/16$
SQUARE: $\pm 1/8$

THE INFORMATION CONTAINED IN THIS DRAWING IS THE SOLE PROPERTY OF Lynden Door, Inc. ANY REPRODUCTION IN PART OR AS A WHOLE WITHOUT THE WRITTEN PERMISSION OF Lynden Door, Inc. IS PROHIBITED.

A04-00043 02/07/19



Kingston 8'0"		
All dimensions nominal before prefit and bevel.		
DW	A	B
3-0	23.69	6.15
2-10*	23.69	5.15
2-8	21.69	5.15
2-6	19.69	5.15
2-4	17.69	5.15
2-2	17.69	4.15
2-0	15.69	4.15
1-10	15.69	3.15
1-8	11.96	4.02
1-6	11.96	3.02
Bottom rail dimension does not comply with ADA requirements.		
* Contact factory regarding availability of wider stile options.		

Kingston (Carrara)

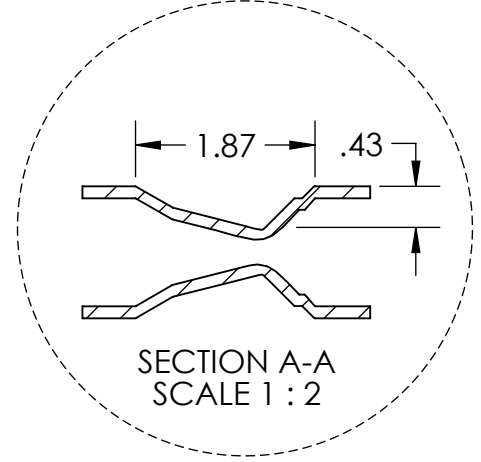
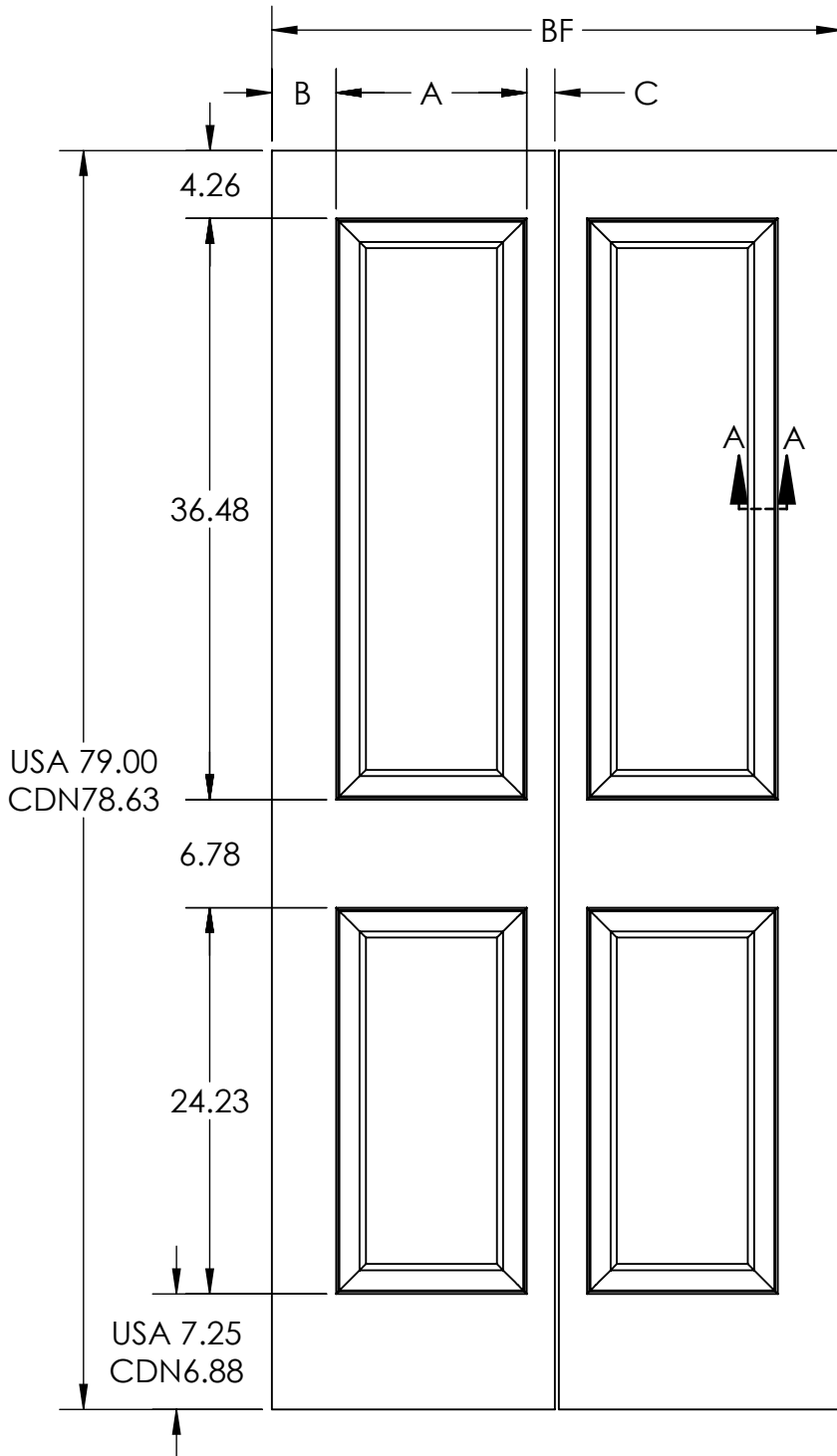
Molded Profile Door



DIMENSIONS ARE IN: Inches
 DOOR TOLERANCES
 WIDTH (FULL WIDTH): ±1/16
 WIDTH (PREFIT): ±1/32
 HEIGHT: ±1/16
 SQUARE: ±1/8

THE INFORMATION CONTAINED IN THIS DRAWING IS THE SOLE PROPERTY OF Lynden Door, Inc. ANY REPRODUCTION IN PART OR AS A WHOLE WITHOUT THE WRITTEN PERMISSION OF Lynden Door, Inc. IS PROHIBITED.

A04-00043 02/07/19



Kingston Bifold 6'8"			
BF	A	B	C
3-0	11.96	4.02	1.77
2-8	9.96	4.02	1.77
2-6	8.96	4.02	1.77
2-4	7.96	4.02	1.77
2-0	5.96	4.02	1.77
1-8	5.96	2.02	1.77
1-6	5.96	1.77	1.02

Use of heavy duty hardware may require additional undercut. Lynden Door standard is 3/4"

Kingston (Carrara)

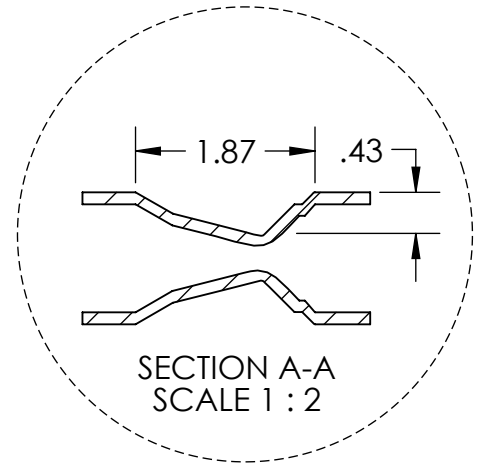
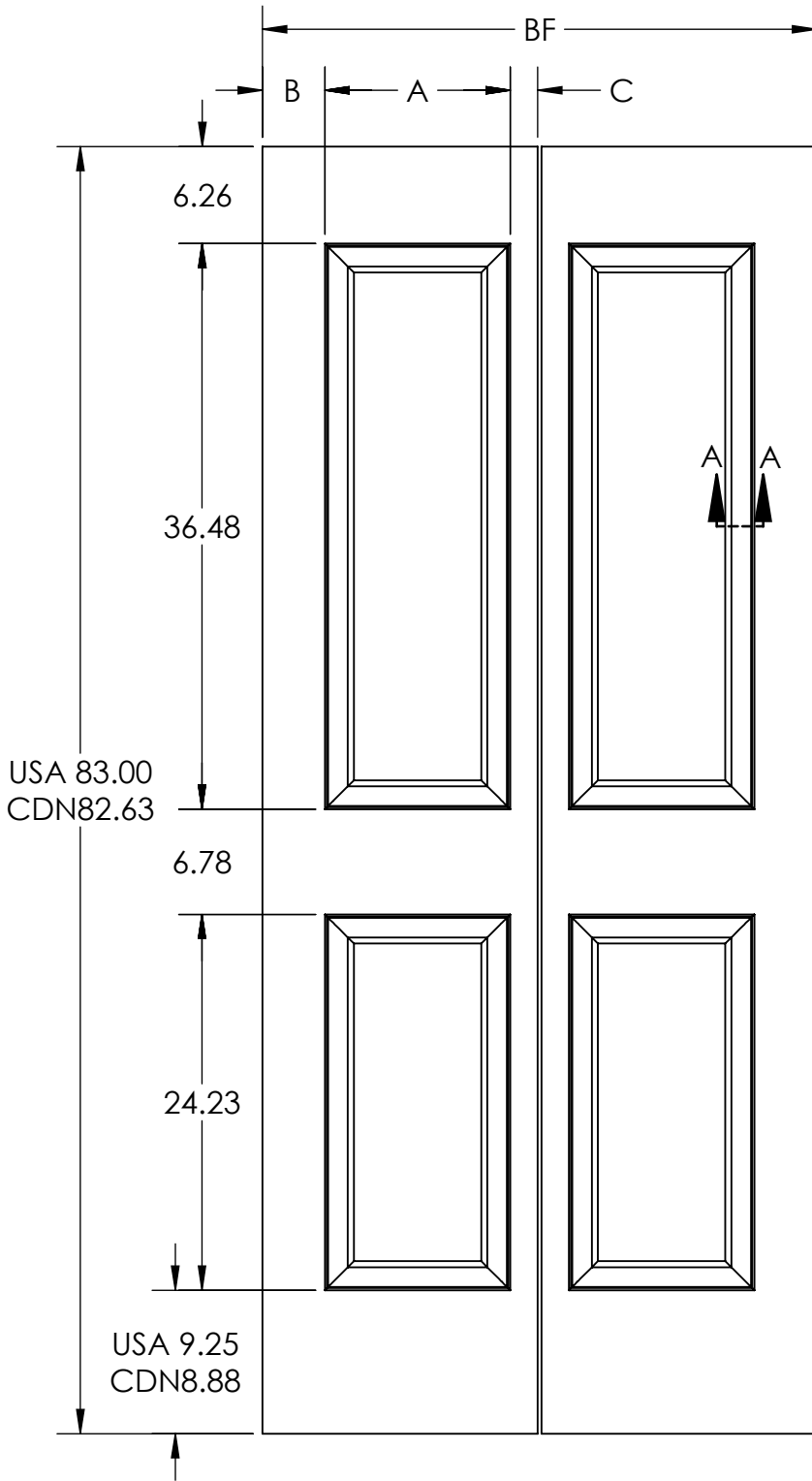
Molded Profile Bifold



DIMENSIONS ARE IN: Inches
DOOR TOLERANCES
WIDTH (FULL WIDTH): ±1/16
WIDTH (PREFIT): ±1/32
HEIGHT: ±1/16
SQUARE: ±1/8

THE INFORMATION CONTAINED IN THIS DRAWING IS THE SOLE PROPERTY OF Lynden Door, Inc. ANY REPRODUCTION IN PART OR AS A WHOLE WITHOUT THE WRITTEN PERMISSION OF Lynden Door, Inc. IS PROHIBITED.

A04-00043 02/07/19



Kingston Bifold 7'0"			
BF	A	B	C
3-0	11.96	4.02	1.77
2-8	9.96	4.02	1.77
2-6	8.96	4.02	1.77
2-4	7.96	4.02	1.77
2-0	5.96	4.02	1.77
1-8	5.96	2.02	1.77
1-6	5.96	1.77	1.02

Use of heavy duty hardware may require additional undercut. Lynden Door standard is 3/4"

Kingston (Carrara)

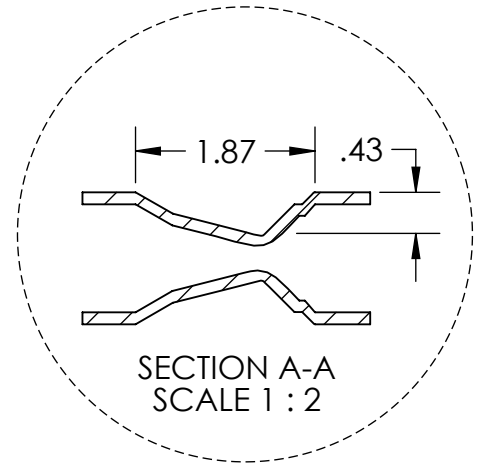
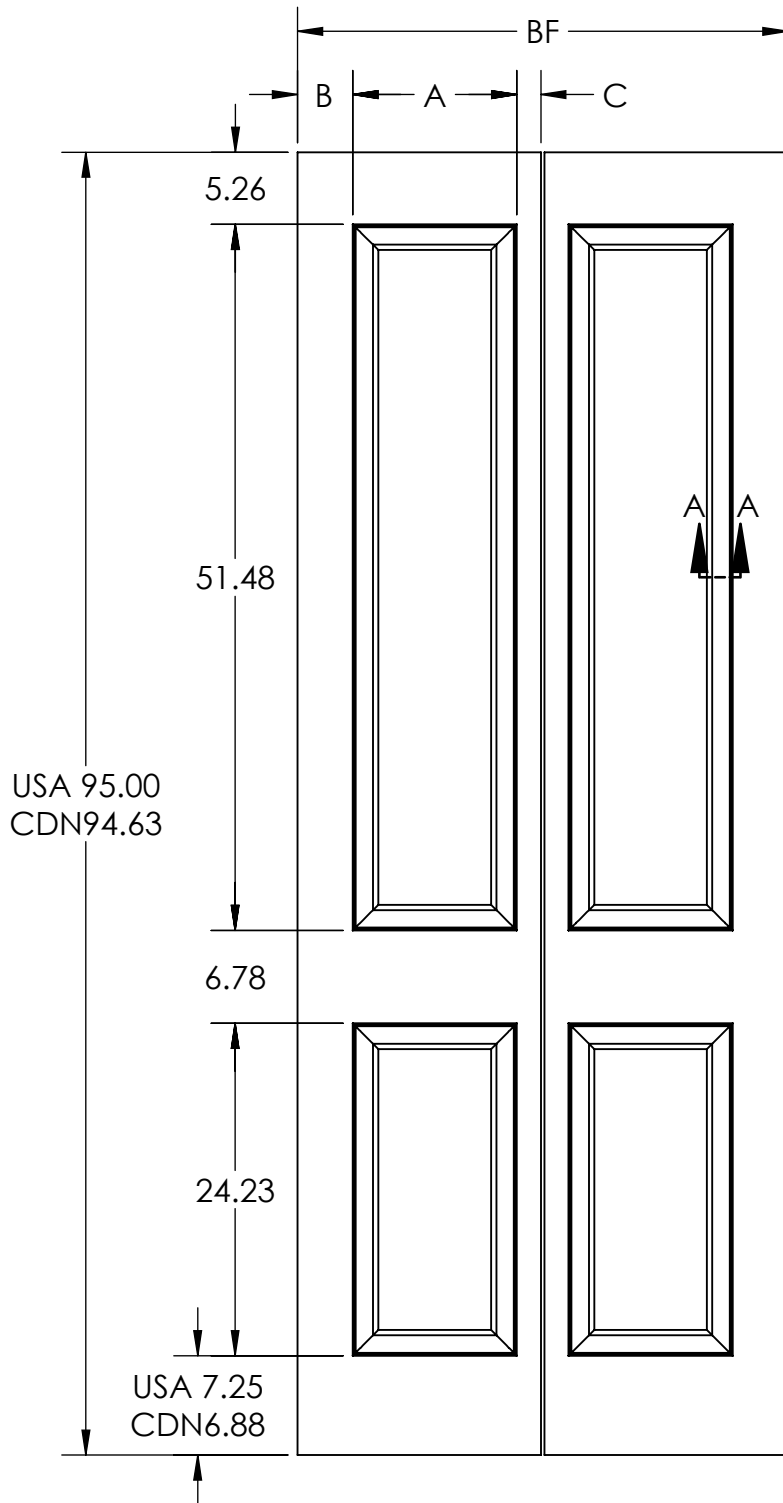
Molded Profile Bifold



DIMENSIONS ARE IN: inches
DOOR TOLERANCES
WIDTH (FULL WIDTH): ±1/16
WIDTH (PREFIT): ±1/32
HEIGHT: ±1/16
SQUARE: ±1/8

THE INFORMATION CONTAINED IN THIS DRAWING IS THE SOLE PROPERTY OF Lynden Door, Inc. ANY REPRODUCTION IN PART OR AS A WHOLE WITHOUT THE WRITTEN PERMISSION OF Lynden Door, Inc. IS PROHIBITED.

A04-00043.02/07/19



Kingston Bifold 8'0"			
BF	A	B	C
3-0	11.96	4.02	1.77
2-8	9.96	4.02	1.77
2-6	8.96	4.02	1.77
2-4	7.96	4.02	1.77
2-0	5.96	4.02	1.77
1-8	5.96	2.02	1.77
1-6	5.96	1.77	1.02

Use of heavy duty hardware may require additional undercut. Lynden Door standard is 3/4"

Kingston (Carrara)

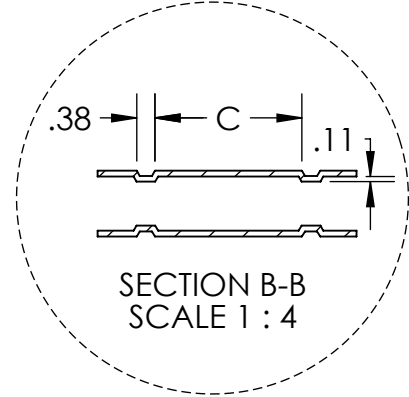
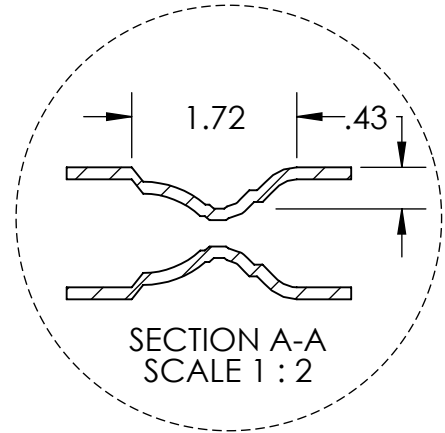
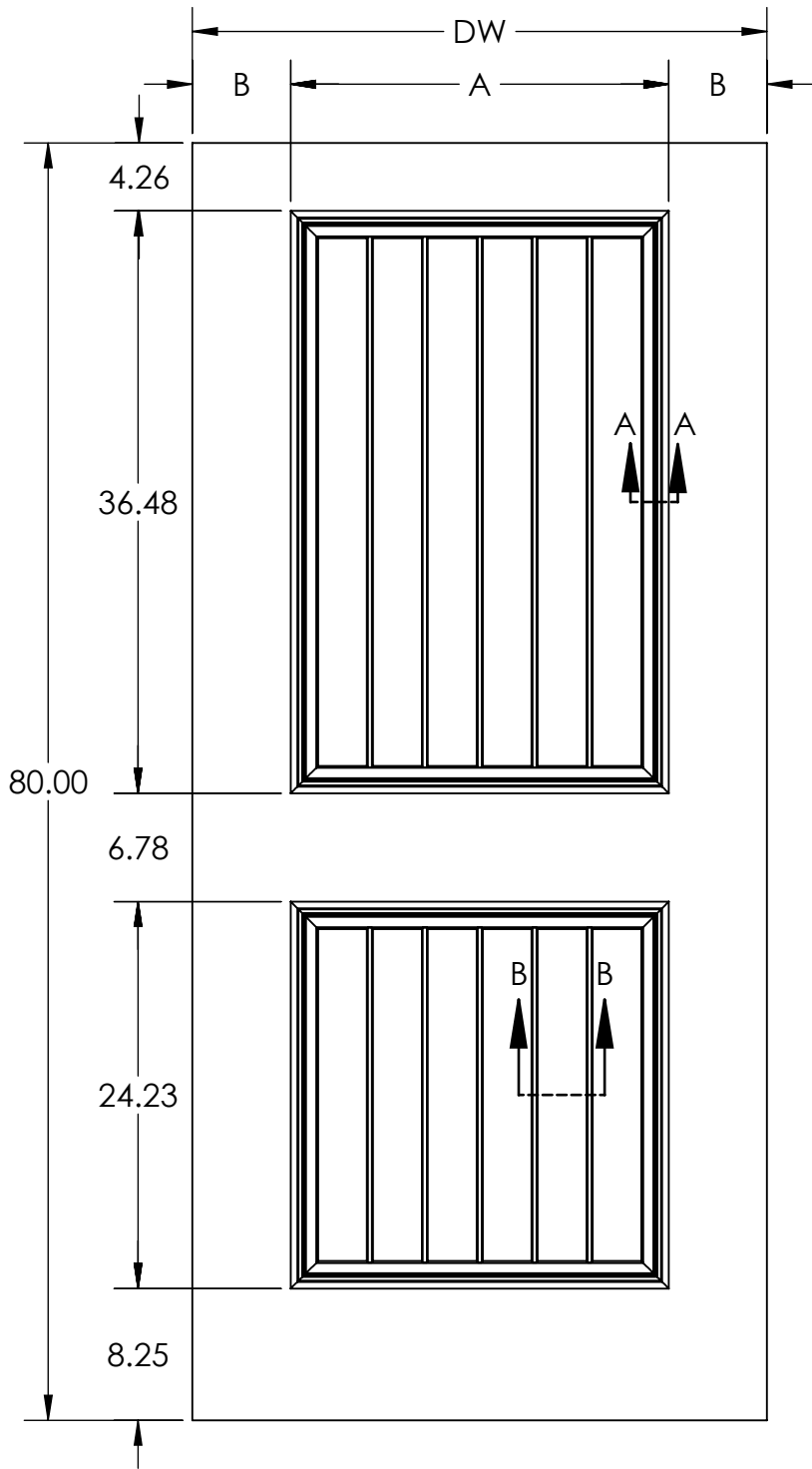
Molded Profile Bifold



DIMENSIONS ARE IN: Inches
DOOR TOLERANCES
WIDTH (FULL WIDTH): ±1/16
WIDTH (PREFIT): ±1/32
HEIGHT: ±1/16
SQUARE: ±1/8

THE INFORMATION CONTAINED IN THIS DRAWING IS THE SOLE PROPERTY OF Lynden Door, Inc. ANY REPRODUCTION IN PART OR AS A WHOLE WITHOUT THE WRITTEN PERMISSION OF Lynden Door, Inc. IS PROHIBITED.

A04-00043 02/07/19



San Juan 6'8"

All dimensions nominal before prefit and bevel.

DW	A	B	C	# of Planks
3-0	23.69	6.15	3.06	6
2-10	21.69	6.15	2.73	6
2-8	21.69	5.15	2.73	6
2-6	19.69	5.15	2.95	5
2-4	17.69	5.15	2.55	5
2-2	15.69	5.15	2.78	4
2-0	15.69	4.15	2.78	4
1-10	15.69	3.15	2.78	4
1-8	11.96	4.02	2.59	3
1-6	11.96	3.02	2.59	3

Bottom rail dimension does not comply with ADA requirements.

San Juan (Corvado)

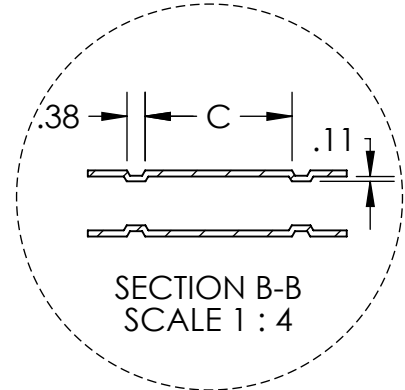
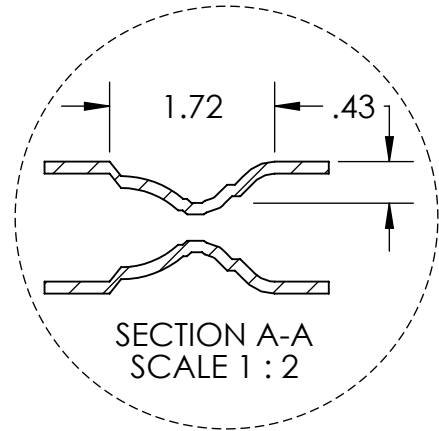
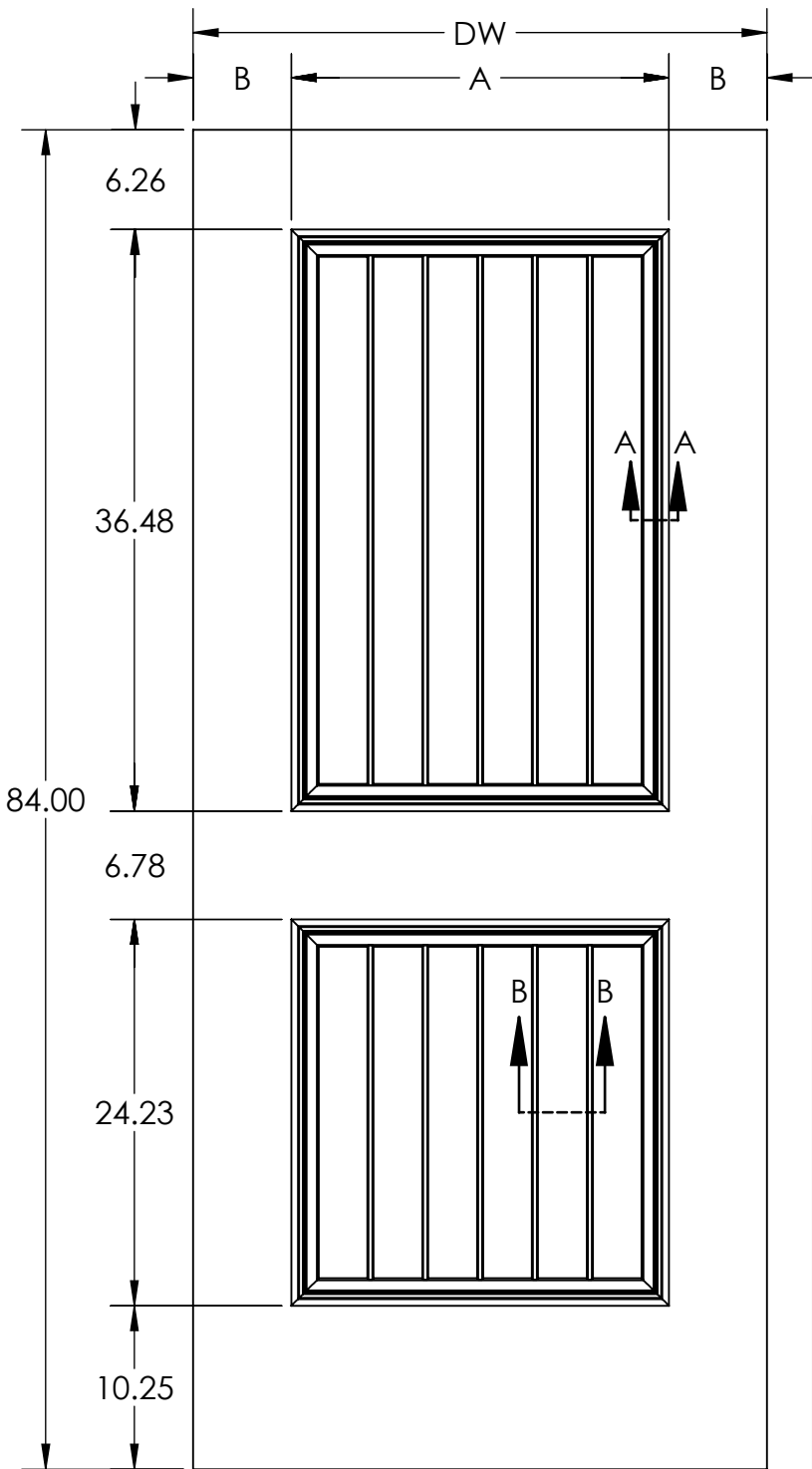
Molded Profile Door



DIMENSIONS ARE IN: Inches
DOOR TOLERANCES
WIDTH (FULL WIDTH): ±1/16
WIDTH (PREFIT): ±1/32
HEIGHT: ±1/16
SQUARE: ±1/8

THE INFORMATION CONTAINED IN THIS DRAWING IS THE SOLE PROPERTY OF Lynden Door, Inc. ANY REPRODUCTION IN PART OR AS A WHOLE WITHOUT THE WRITTEN PERMISSION OF Lynden Door, Inc. IS PROHIBITED.

A04-00047 01/15/19



San Juan 7'0"

All dimensions nominal before prefit and bevel.

DW	A	B	C	# of Planks
3-0	23.69	6.15	3.06	6
2-10	21.69	6.15	2.73	6
2-8	21.69	5.15	2.73	6
2-6	19.69	5.15	2.95	5
2-4	17.69	5.15	2.55	5
2-2	15.69	5.15	2.78	4
2-0	15.69	4.15	2.78	4
1-10	15.69	3.15	2.78	4
1-8	11.96	4.02	2.59	3
1-6	11.96	3.02	2.59	3

Bottom rail dimension complies with ADA requirements.

San Juan (Corvado)

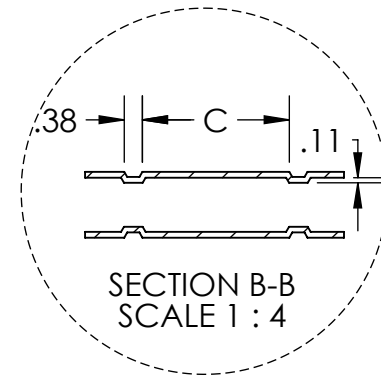
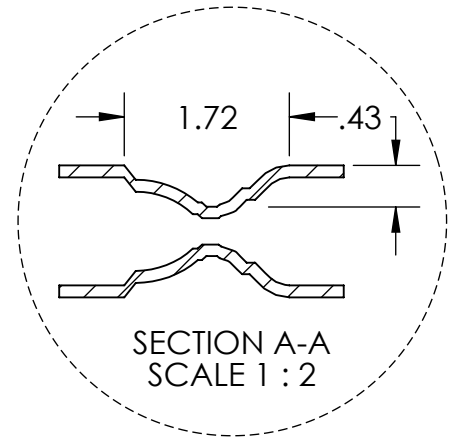
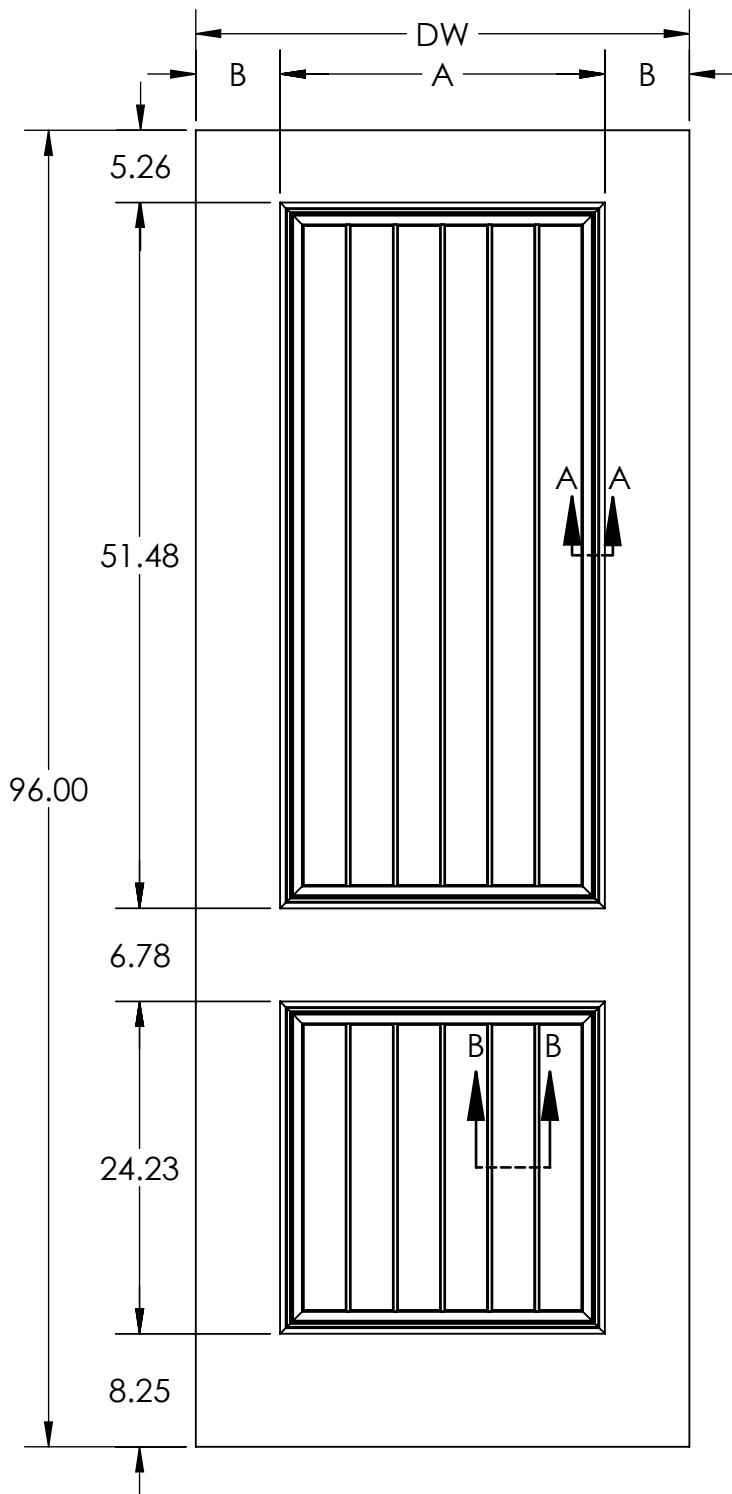
Molded Profile Door



DIMENSIONS ARE IN: Inches
DOOR TOLERANCES
WIDTH (FULL WIDTH): ±1/16
WIDTH (PREFIT): ±1/32
HEIGHT: ±1/16
SQUARE: ±1/8

THE INFORMATION CONTAINED IN THIS DRAWING IS THE SOLE PROPERTY OF Lynden Door, Inc. ANY REPRODUCTION IN PART OR AS A WHOLE WITHOUT THE WRITTEN PERMISSION OF Lynden Door, Inc. IS PROHIBITED.

A04-00047 01/15/19



San Juan 8'0"				
All dimensions nominal before prefit and bevel.				
DW	A	B	C	# of Planks
3-0	23.69	6.15	3.06	6
2-10*	23.69	5.15	3.06	6
2-8	21.69	5.15	2.73	6
2-6	19.69	5.15	2.95	5
2-4	17.69	5.15	2.55	5
2-2*	17.69	4.15	2.55	5
2-0	15.69	4.15	2.78	4
1-10	15.69	3.15	2.78	4
1-8	11.96	4.02	2.59	3
1-6	11.96	3.02	2.59	3

Bottom rail dimension does not comply with ADA requirements.

*Contact factory regarding availability of wider stile options.

San Juan (Corvado)

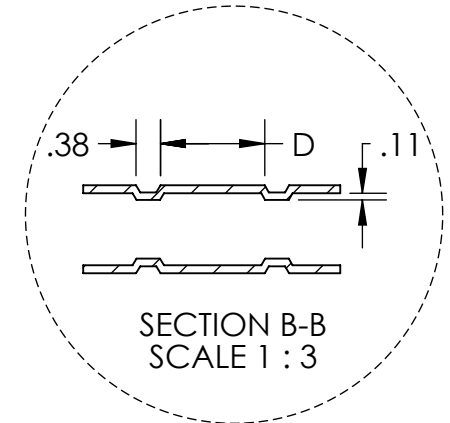
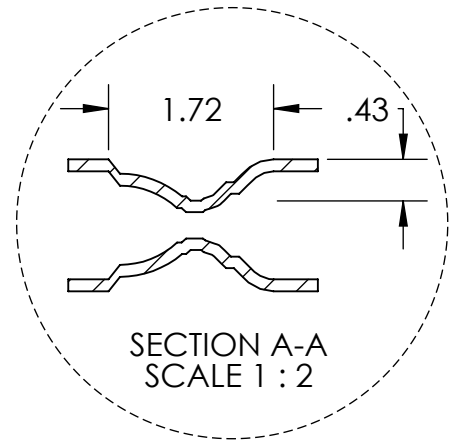
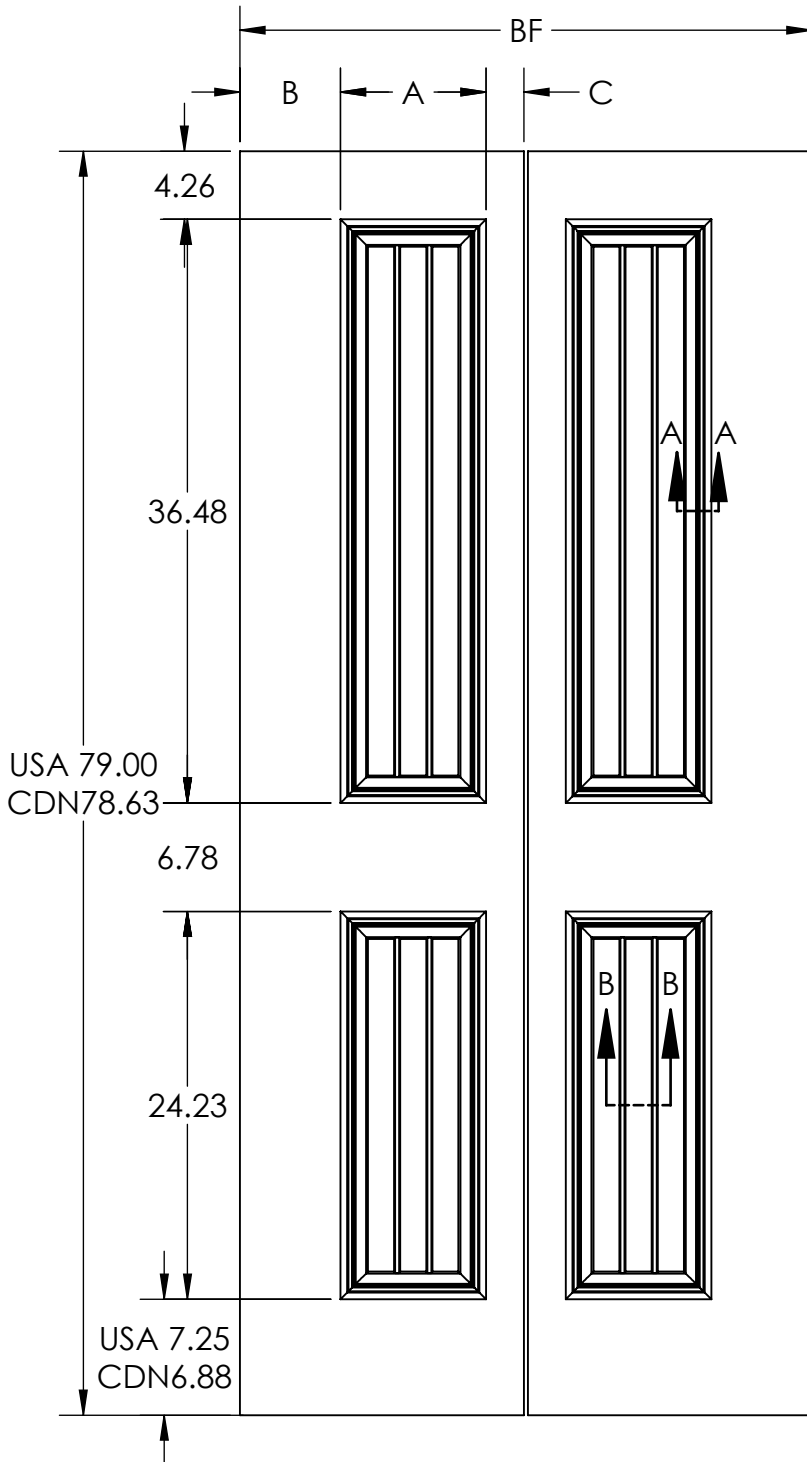
Molded Profile Door



DIMENSIONS ARE IN: Inches
 DOOR TOLERANCES
 WIDTH (FULL WIDTH): ±1/16
 WIDTH (PREFIT): ±1/32
 HEIGHT: ±1/16
 SQUARE: ±1/8

THE INFORMATION CONTAINED IN THIS DRAWING IS THE SOLE PROPERTY OF Lynden Door, Inc. ANY REPRODUCTION IN PART OR AS A WHOLE WITHOUT THE WRITTEN PERMISSION OF Lynden Door, Inc. IS PROHIBITED.

A04-00047 01/15/19



San Juan Bifold 6'8"					
BF	A	B	C	D	# of Planks
3-0	9.09	6.29	2.37	1.63	3
2-8	9.09	4.29	2.37	1.63	3
2-6	9.09	3.29	2.37	1.63	3
2-4	9.09	2.29	2.37	1.63	3
2-0	6.79	3.18	1.78	1.49	2
1-8	6.79	1.78	1.18	1.49	2
1-6	6.79	1.03	0.93	1.49	2

Use of heavy duty hardware may require additional undercut. Lynden Door standard is 3/4"

San Juan (Corvado)

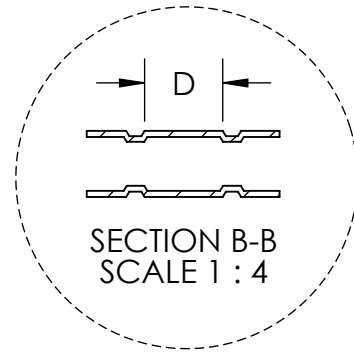
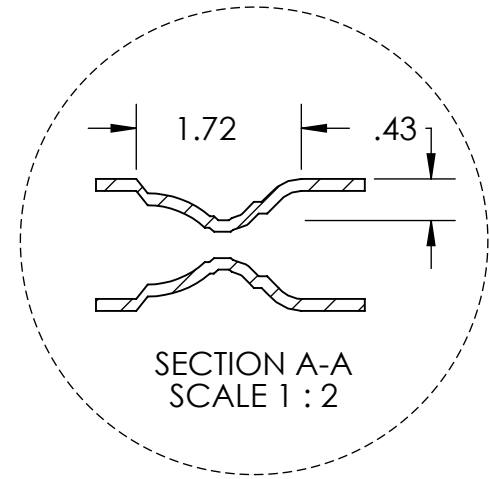
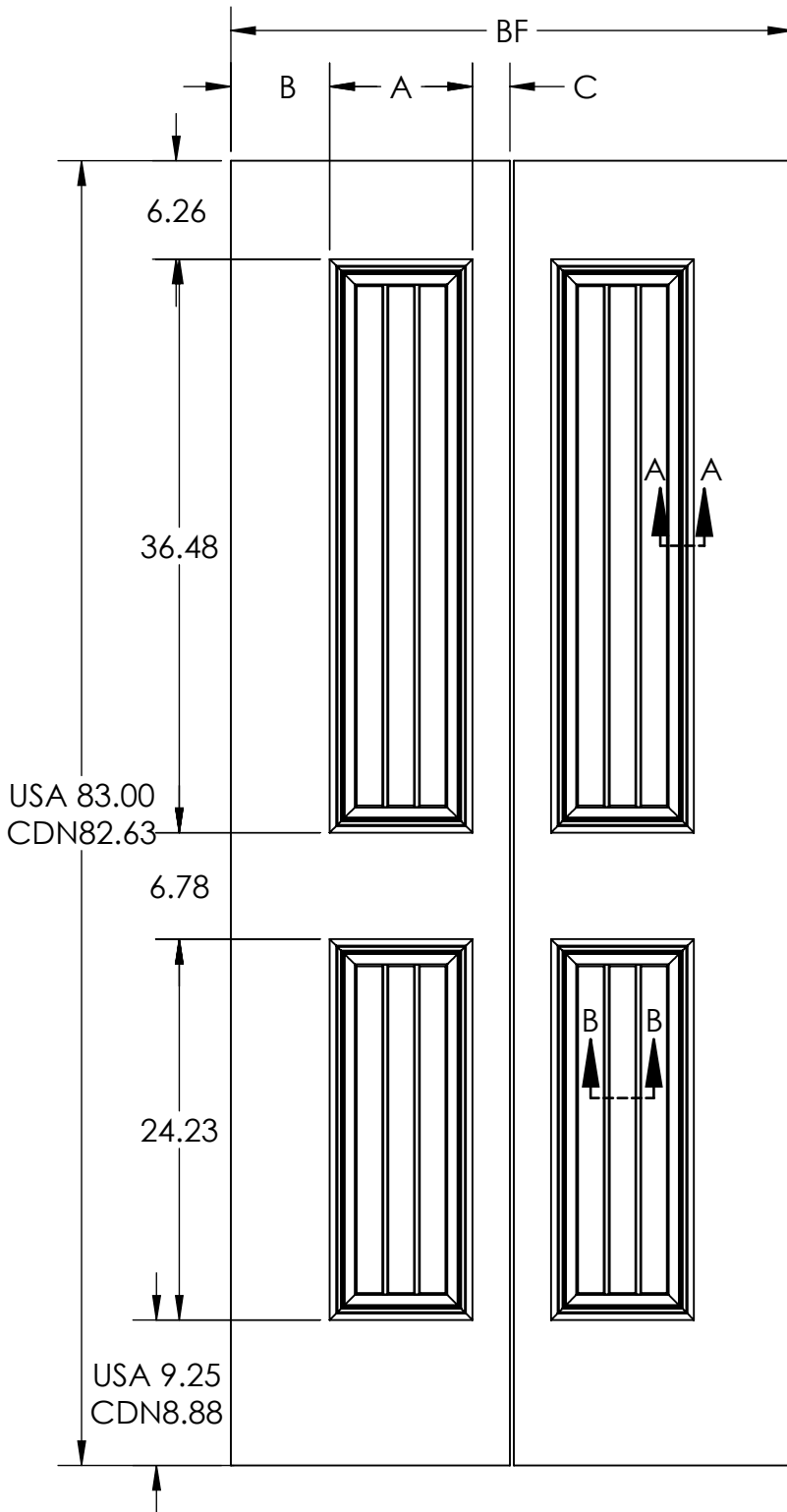
Molded Profile Bifold



DIMENSIONS ARE IN: Inches
DOOR TOLERANCES
WIDTH (FULL WIDTH): ±1/16
WIDTH (PREFIT): ±1/32
HEIGHT: ±1/16
SQUARE: ±1/8

THE INFORMATION CONTAINED IN THIS DRAWING IS THE SOLE PROPERTY OF Lynden Door, Inc. ANY REPRODUCTION IN PART OR AS A WHOLE WITHOUT THE WRITTEN PERMISSION OF Lynden Door, Inc. IS PROHIBITED.

A04-00047 01/15/19



San Juan Bifold 7'0"					
BF	A	B	C	D	# of Planks
3-0*	9.09	6.29	2.37	1.63	3
2-8*	9.09	4.29	2.37	1.63	3
2-6*	9.09	3.29	2.37	1.63	3
2-4*	9.09	2.29	2.37	1.63	3
2-0*	6.79	3.18	1.78	1.49	2
1-8*	6.79	1.78	1.18	1.49	2
1-6*	6.79	1.03	0.93	1.49	2

Use of heavy duty hardware may require additional undercut. Lynden Door standard is 3/4"

*** Non-Stock, Contact factory for pricing and availability.**

San Juan (Corvado)

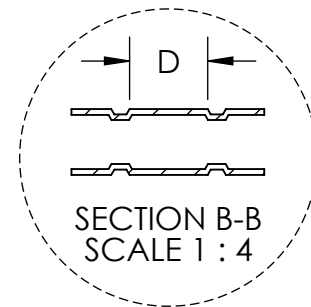
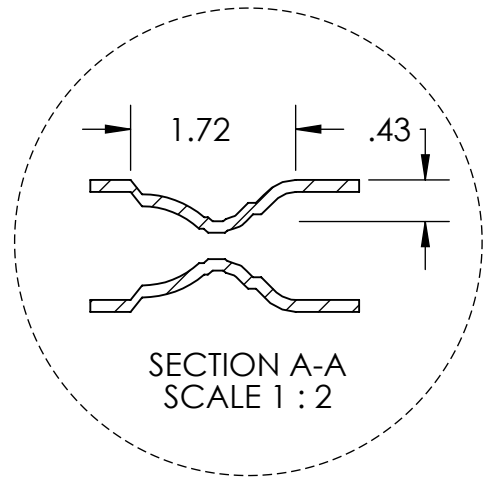
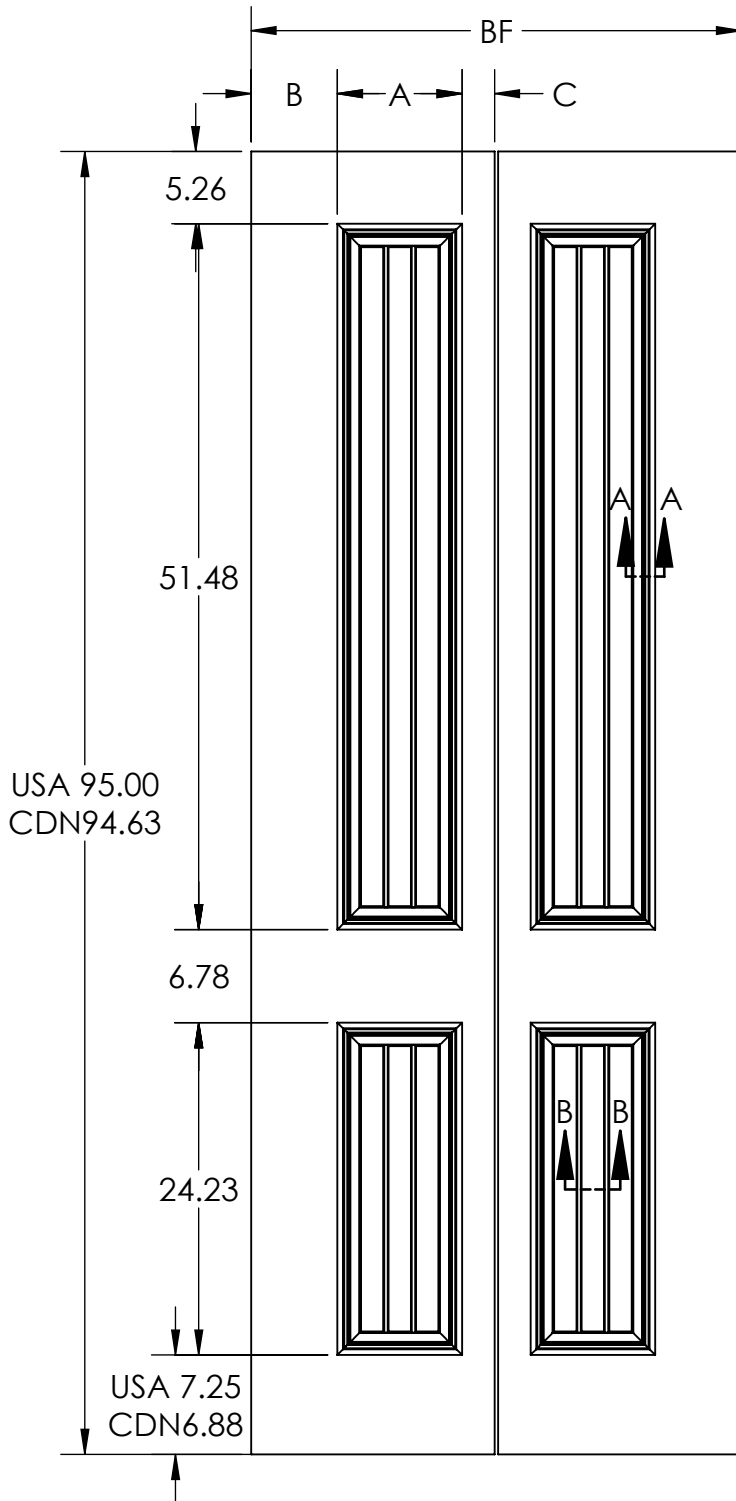
Molded Profile Bifold



DIMENSIONS ARE IN: Inches
 DOOR TOLERANCES
 WIDTH (FULL WIDTH): ±1/16
 WIDTH (PREFIT): ±1/32
 HEIGHT: ±1/16
 SQUARE: ±1/8

THE INFORMATION CONTAINED IN THIS DRAWING IS THE SOLE PROPERTY OF Lynden Door, Inc. ANY REPRODUCTION IN PART OR AS A WHOLE WITHOUT THE WRITTEN PERMISSION OF Lynden Door, Inc. IS PROHIBITED.

A04-00047 01/15/19



San Juan Bifold 8'0"					
BF	A	B	C	D	# of Planks
3-0*	9.09	6.29	2.37	1.63	3
2-8*	9.09	4.29	2.37	1.63	3
2-6*	9.09	3.29	2.37	1.63	3
2-4*	9.09	2.29	2.37	1.63	3
2-0*	6.79	3.18	1.78	1.49	2
1-8*	6.79	1.78	1.18	1.49	2
1-6*	6.79	1.03	0.93	1.49	2

Use of heavy duty hardware may require additional undercut. Lynden Door standard is 3/4"

*** Non-Stock, Contact factory for pricing and availability.**

San Juan (Corvado)

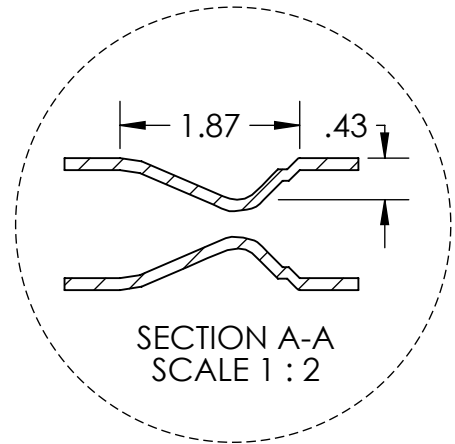
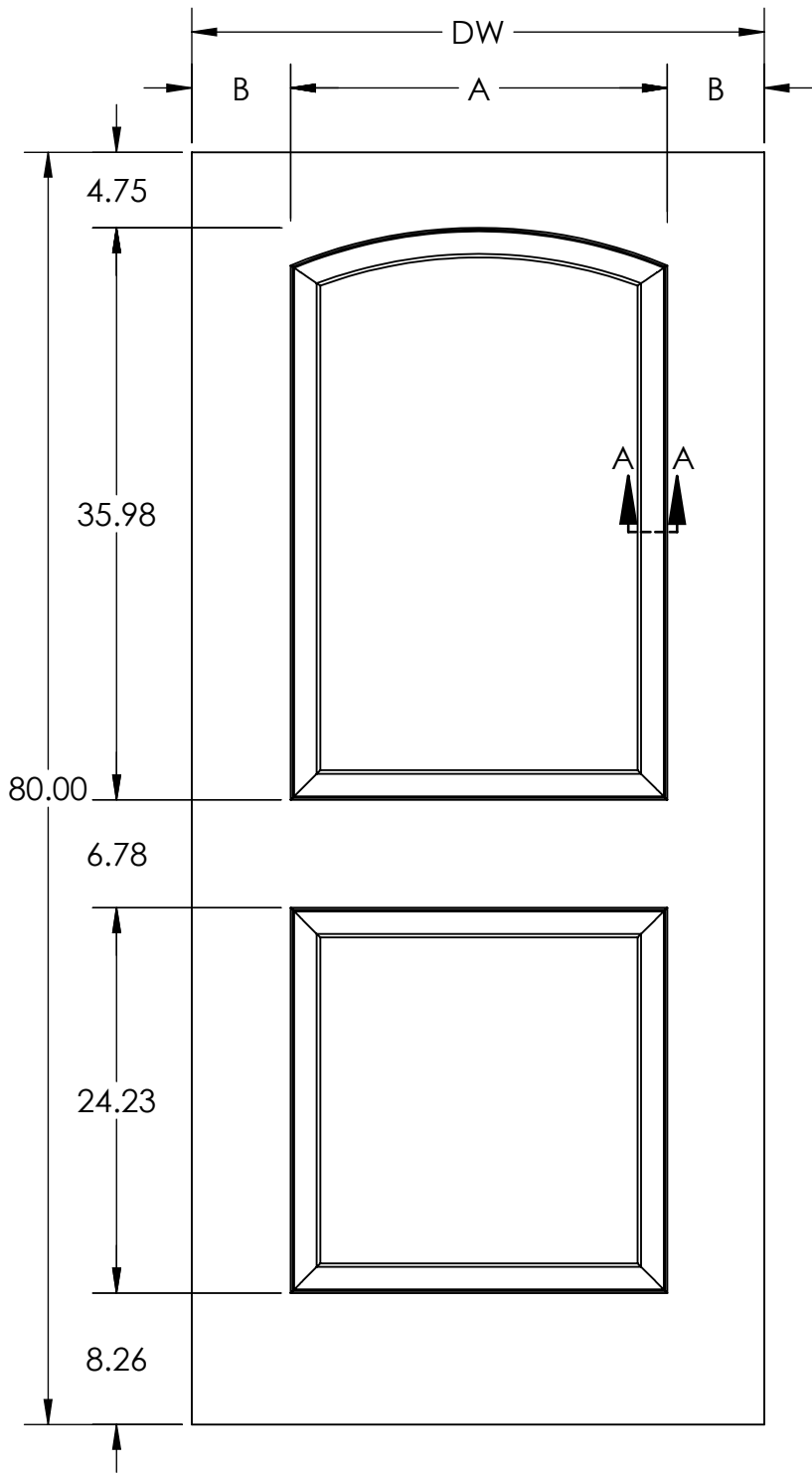
Molded Profile Bifold



DIMENSIONS ARE IN: Inches
DOOR TOLERANCES
WIDTH (FULL WIDTH): ±1/16
WIDTH (PREFIT): ±1/32
HEIGHT: ±1/16
SQUARE: ±1/8

THE INFORMATION CONTAINED IN THIS DRAWING IS THE SOLE PROPERTY OF Lynden Door, Inc. ANY REPRODUCTION IN PART OR AS A WHOLE WITHOUT THE WRITTEN PERMISSION OF Lynden Door, Inc. IS PROHIBITED.

A04-00047 01/15/19



Rosario 6'8"		
All dimensions nominal before prefit and bevel.		
DW	A	B
3-0	23.69	6.15
2-10	21.69	6.15
2-8	21.69	5.15
2-6	19.69	5.15
2-4	17.69	5.15
2-2	15.69	5.15
2-0	15.69	4.15
1-10	15.69	3.15
1-8	11.96	4.02
1-6	11.96	3.02
1-4	7.08	4.46
Bottom rail dimension does not comply with ADA requirements.		

Rosario (Caiman)

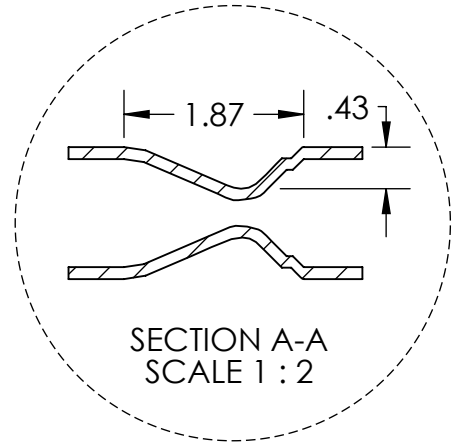
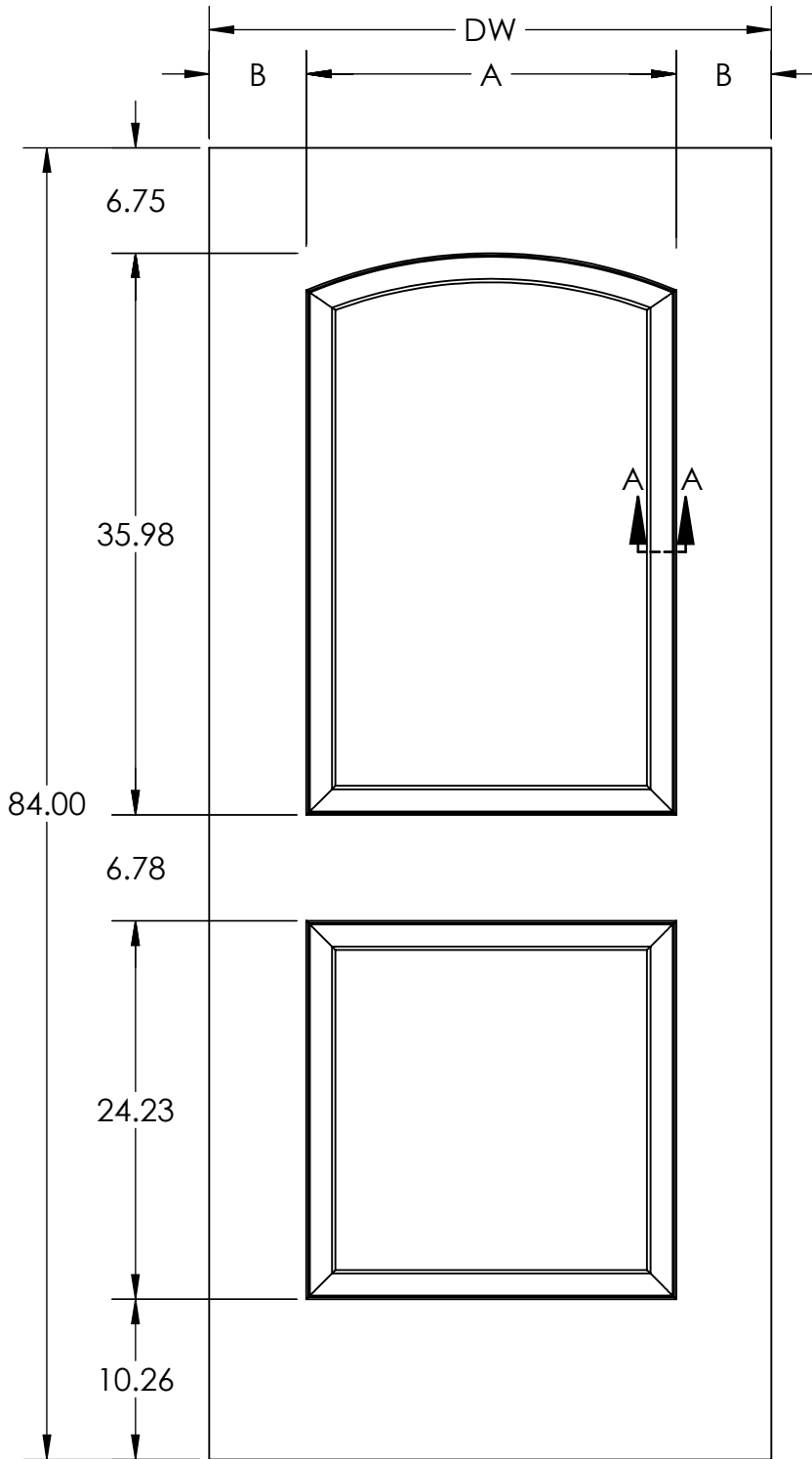
Molded Profile Door



DIMENSIONS ARE IN: inches
 DOOR TOLERANCES
 WIDTH (FULL WIDTH): ±1/16
 WIDTH (PREFIT): ±1/32
 HEIGHT: ±1/16
 SQUARE: ±1/8

THE INFORMATION CONTAINED IN THIS DRAWING IS THE SOLE PROPERTY OF Lynden Door, Inc. ANY REPRODUCTION IN PART OR AS A WHOLE WITHOUT THE WRITTEN PERMISSION OF Lynden Door, Inc. IS PROHIBITED.

A04-00042 01/15/19



Rosario 7'0"		
All dimensions nominal before prefit and bevel.		
DW	A	B
3-0	23.69	6.15
2-10	21.69	6.15
2-8	21.69	5.15
2-6	19.69	5.15
2-4	17.69	5.15
2-2*	17.69	4.15
2-0	15.69	4.15
1-10	15.69	3.15
1-8	11.96	4.02
1-6	11.96	3.02
1-4**	7.08	4.46
Bottom rail dimension complies with ADA requirements.		
* Contact factory regarding availability of wider stile options.		
** Non-Stock, Contact factory for pricing and availability.		

Rosario (Caiman)

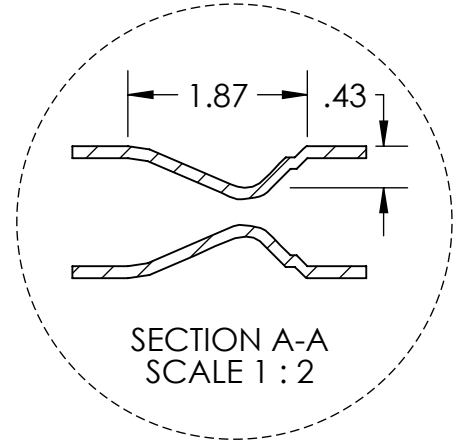
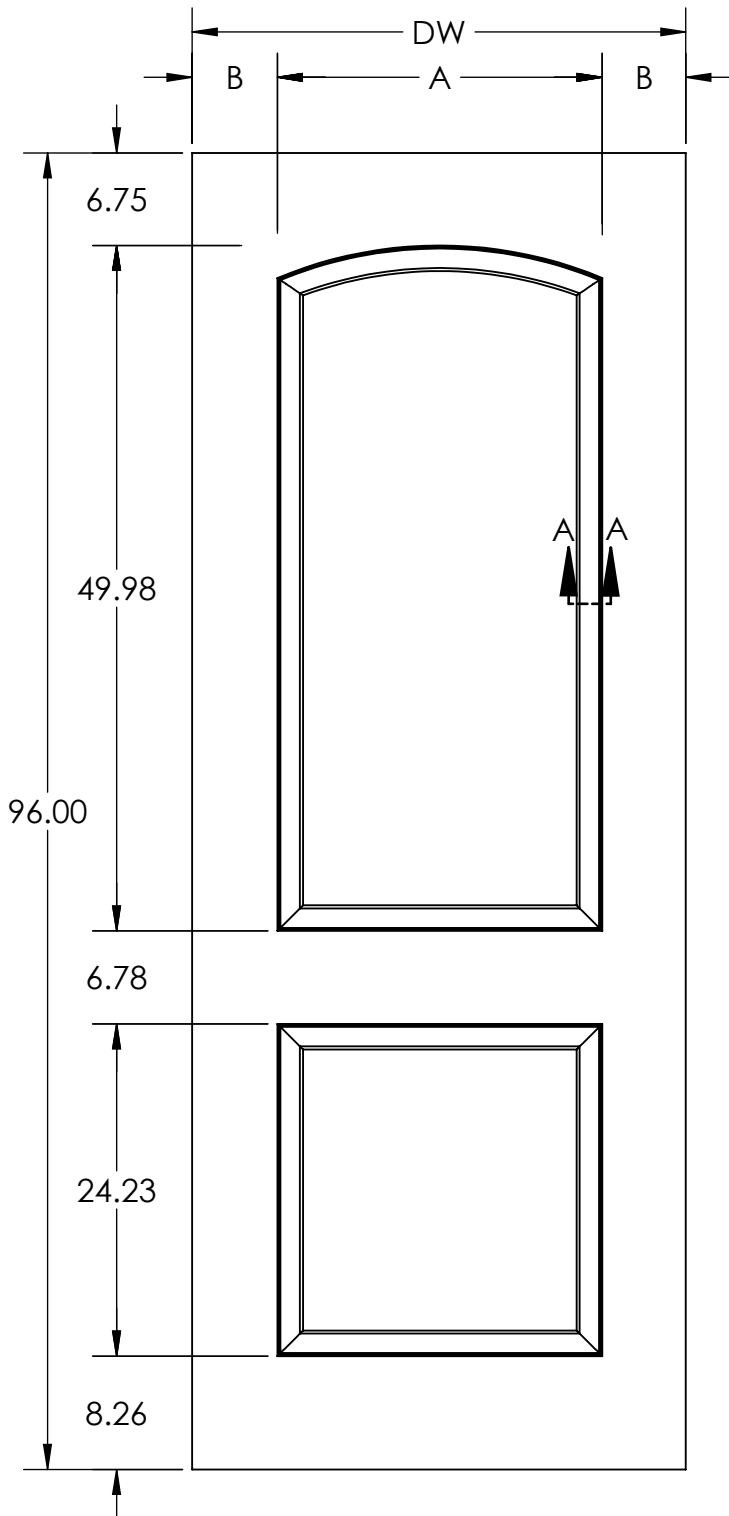
Molded Profile Door



DIMENSIONS ARE IN: Inches
 DOOR TOLERANCES
 WIDTH (FULL WIDTH): ±1/16
 WIDTH (PREFIT): ±1/32
 HEIGHT: ±1/16
 SQUARE: ±1/8

THE INFORMATION CONTAINED IN THIS DRAWING IS THE SOLE PROPERTY OF Lynden Door, Inc. ANY REPRODUCTION IN PART OR AS A WHOLE WITHOUT THE WRITTEN PERMISSION OF Lynden Door, Inc. IS PROHIBITED.

A04-00042 01/15/19



Rosario 8'0"		
All dimensions nominal before prefit and bevel.		
DW	A	B
3-0	23.69	6.15
2-10	21.69	6.15
2-8	21.69	5.15
2-6	19.69	5.15
2-4	17.69	5.15
2-2	17.69	4.15
2-0	15.69	4.15
1-10	15.69	3.15
1-8	11.96	4.02
1-6	11.96	3.02
Bottom rail dimension does not comply with ADA requirements.		

Rosario (Caiman)

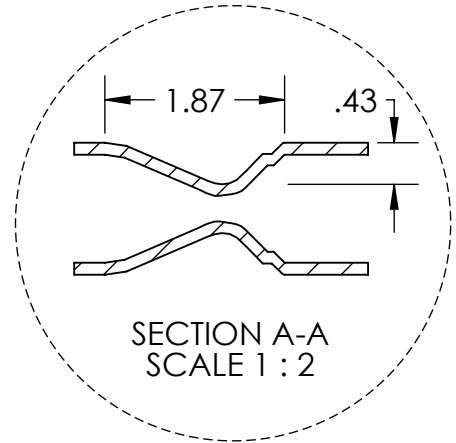
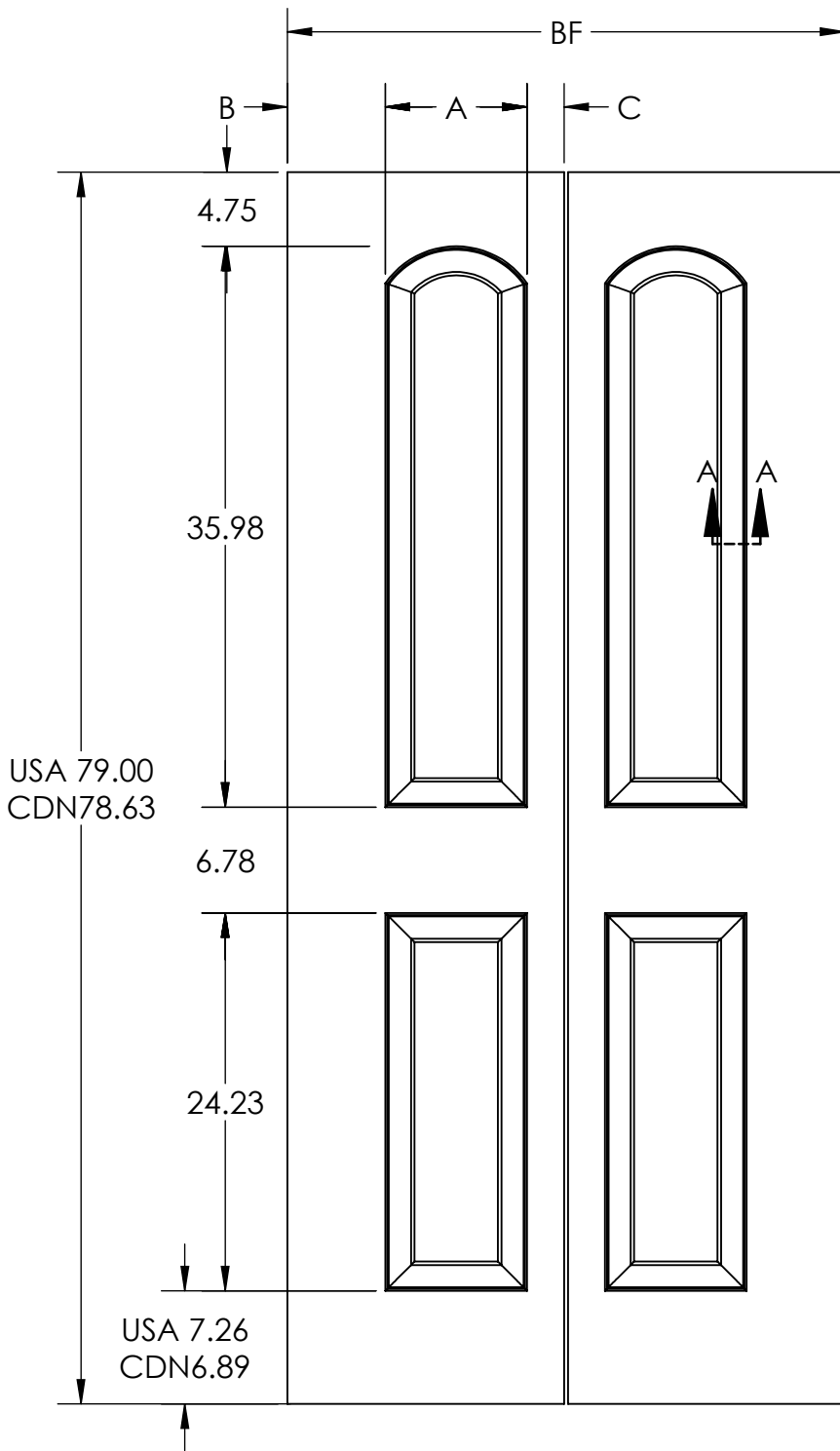
Molded Profile Door



DIMENSIONS ARE IN: inches
 DOOR TOLERANCES
 WIDTH (FULL WIDTH): ±1/16
 WIDTH (PREFIT): ±1/32
 HEIGHT: ±1/16
 SQUARE: ±1/8

THE INFORMATION CONTAINED IN THIS DRAWING IS THE SOLE PROPERTY OF Lynden Door, Inc. ANY REPRODUCTION IN PART OR AS A WHOLE WITHOUT THE WRITTEN PERMISSION OF Lynden Door, Inc. IS PROHIBITED.

A04-00042 01/15/19



Rosario Bifold 6'8"			
BF	A	B	C
3-0	9.09	6.29	2.37
2-8	9.09	4.29	2.37
2-6	9.09	3.29	2.37
2-4	9.09	2.29	2.37
2-0	6.79	3.18	1.78
1-8	6.79	1.78	1.18
1-6	6.79	1.03	0.93

Use of heavy duty hardware may require additional undercut. Lynden Door standard is 3/4"

Rosario (Caiman)

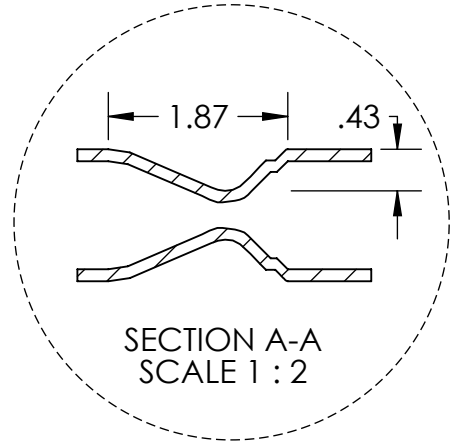
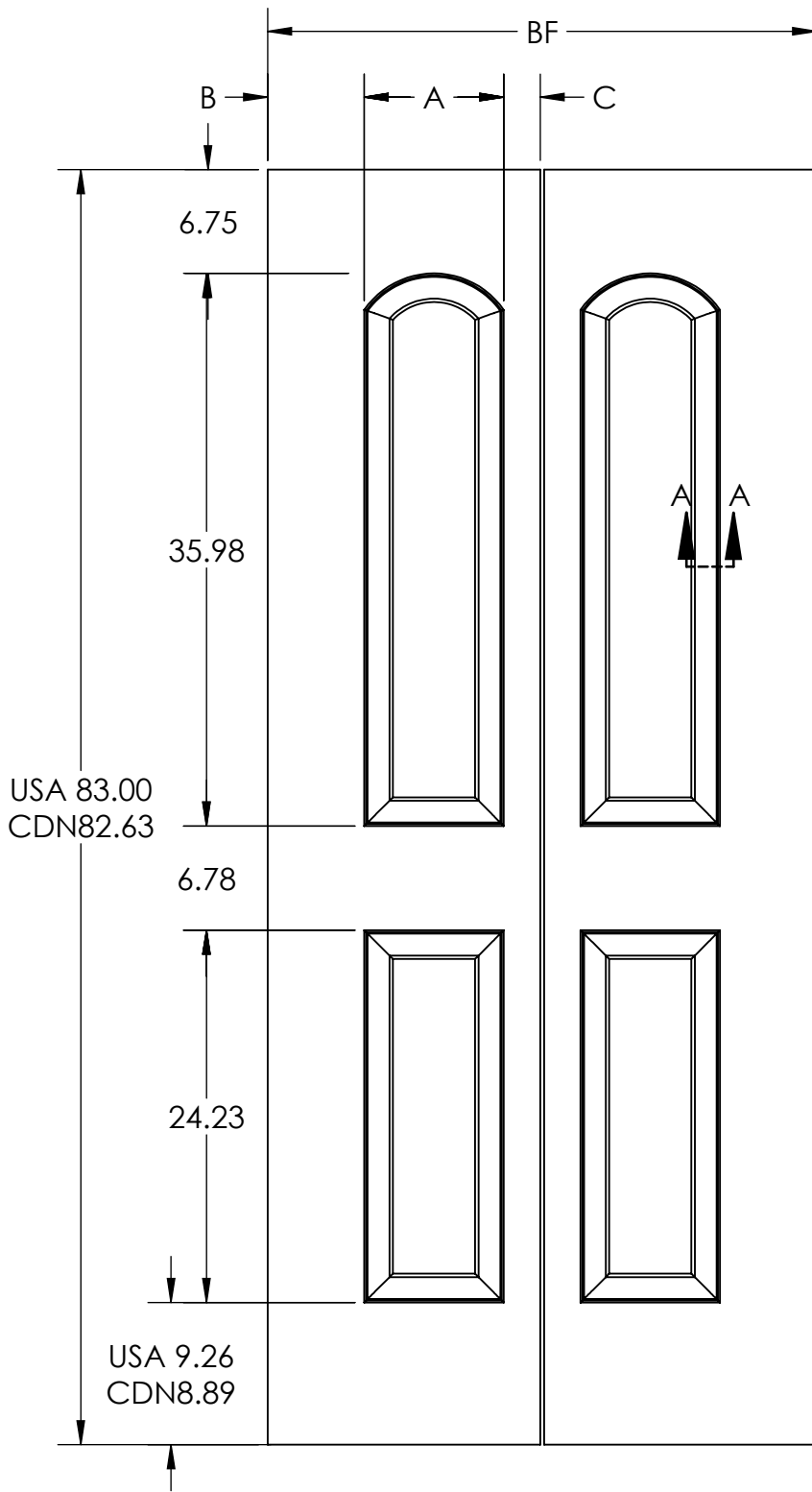
Molded Profile Bifold



DIMENSIONS ARE IN: inches
 DOOR TOLERANCES
 WIDTH (FULL WIDTH): ±1/16
 WIDTH (PREFIT): ±1/32
 HEIGHT: ±1/16
 SQUARE: ±1/8

THE INFORMATION CONTAINED IN THIS DRAWING IS THE SOLE PROPERTY OF Lynden Door, Inc. ANY REPRODUCTION IN PART OR AS A WHOLE WITHOUT THE WRITTEN PERMISSION OF Lynden Door, Inc. IS PROHIBITED.

A04-00042 01/15/19



Rosario Bifold 7'0"			
BF	A	B	C
3-0*	9.09	6.29	2.37
2-8*	9.09	4.29	2.37
2-6*	9.09	3.29	2.37
2-4*	9.09	2.29	2.37
2-0*	6.79	3.18	1.78
1-8*	6.79	1.78	1.18
1-6*	6.79	1.03	0.93

Use of heavy duty hardware may require additional undercut. Lynden Door standard is 3/4"

*** Non-Stock, Contact factory for pricing and availability.**

Rosario (Caiman)

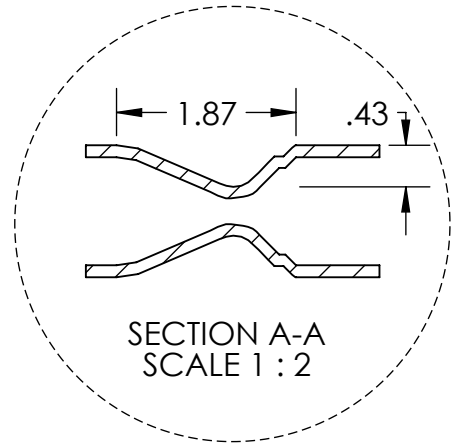
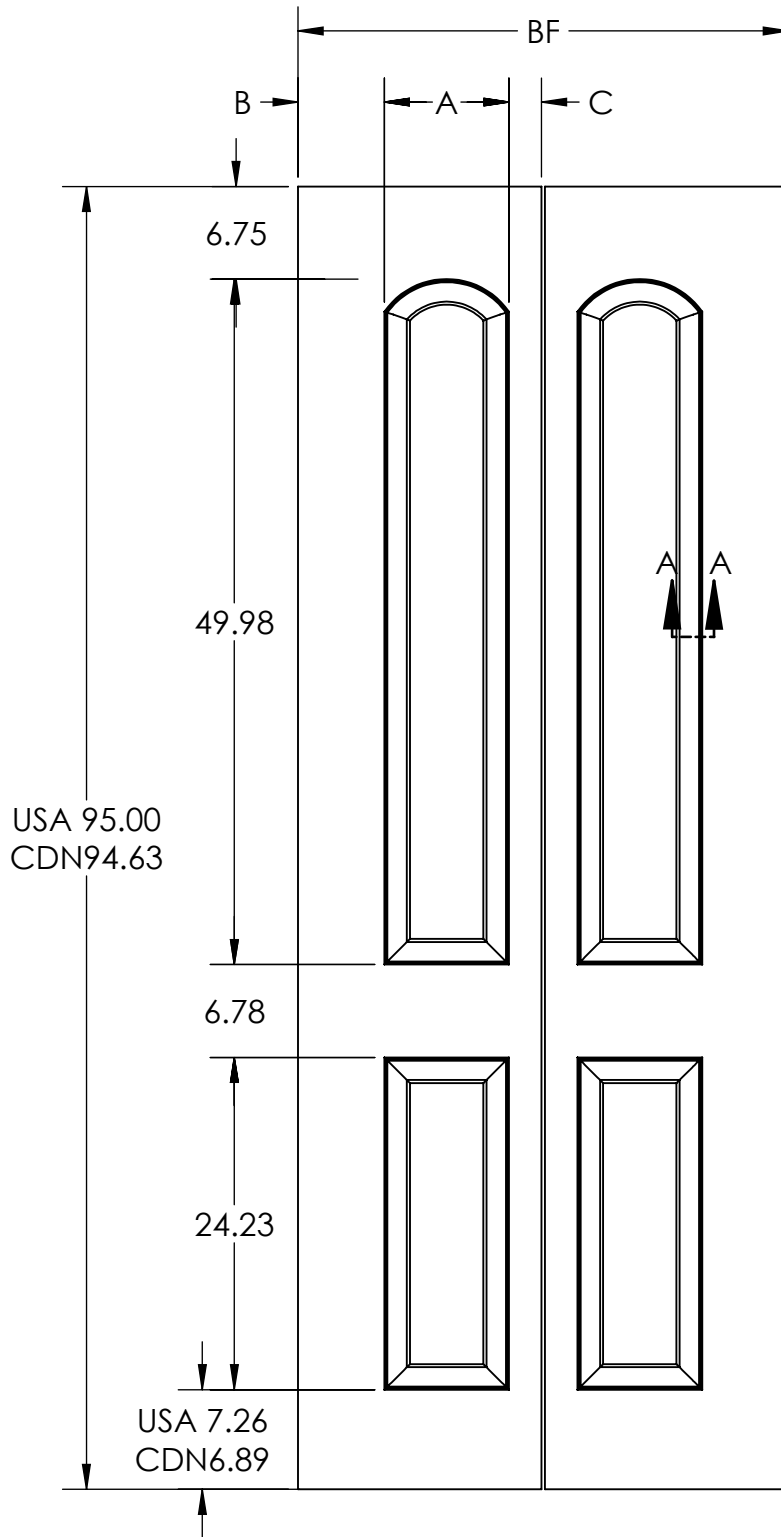
Molded Profile Bifold



DIMENSIONS ARE IN: inches
 DOOR TOLERANCES
 WIDTH (FULL WIDTH): ±1/16
 WIDTH (PREFIT): ±1/32
 HEIGHT: ±1/16
 SQUARE: ±1/8

THE INFORMATION CONTAINED IN THIS DRAWING IS THE SOLE PROPERTY OF Lynden Door, Inc. ANY REPRODUCTION IN PART OR AS A WHOLE WITHOUT THE WRITTEN PERMISSION OF Lynden Door, Inc. IS PROHIBITED.

A04-00042 01/15/19



Rosario Bifold 8'0"			
BF	A	B	C
3-0*	9.09	6.29	2.37
2-8*	9.09	4.29	2.37
2-6*	9.09	3.29	2.37
2-4*	9.09	2.29	2.37
2-0*	6.79	3.18	1.78
1-8*	6.79	1.78	1.18
1-6*	6.79	1.03	0.93
Use of heavy duty hardware may require additional undercut. Lynden Door standard is 3/4"			
* Non-Stock, Contact factory for pricing and availability.			

Rosario (Caiman)

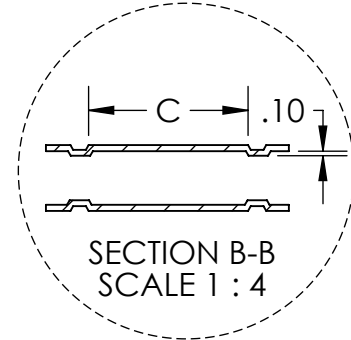
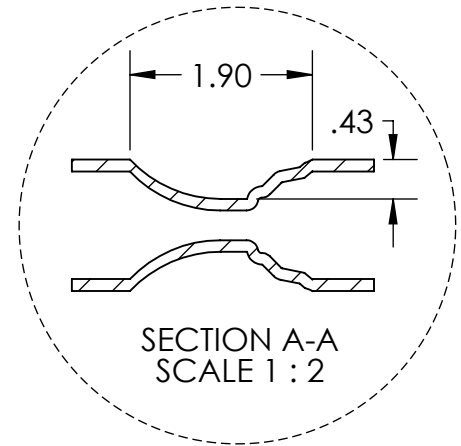
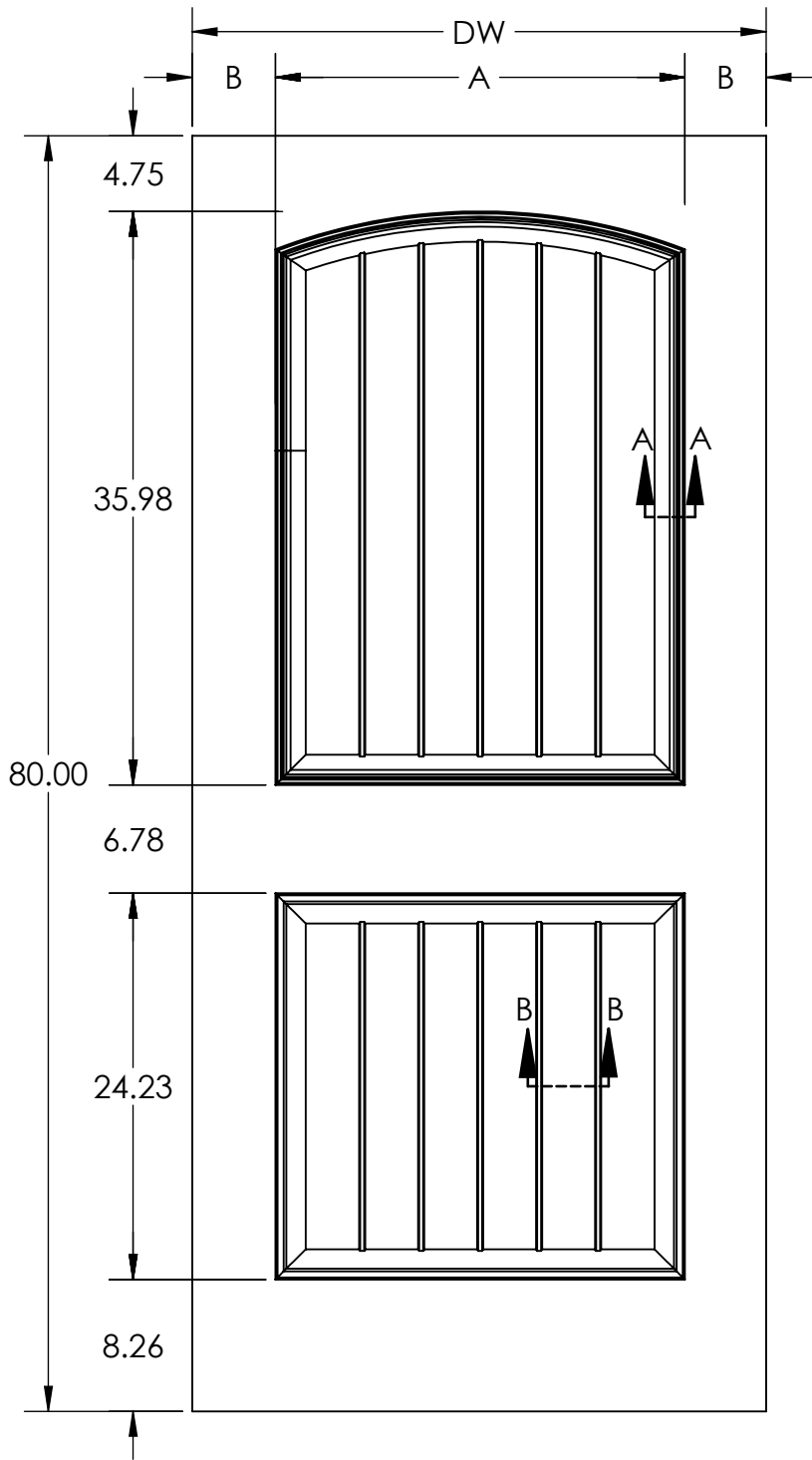
Molded Profile Bifold



DIMENSIONS ARE IN: Inches
 DOOR TOLERANCES
 WIDTH (FULL WIDTH): ±1/16
 WIDTH (PREFIT): ±1/32
 HEIGHT: ±1/16
 SQUARE: ±1/8

THE INFORMATION CONTAINED IN THIS DRAWING IS THE SOLE PROPERTY OF Lynden Door, Inc. ANY REPRODUCTION IN PART OR AS A WHOLE WITHOUT THE WRITTEN PERMISSION OF Lynden Door, Inc. IS PROHIBITED.

A04-00042 01/15/19



Chelan 6'8"				
All dimensions nominal before prefit and bevel.				
DW	A	B	C	# of Planks
3-0	25.69	6.15	3.32	6
2-10	23.69	6.15	2.99	6
2-8	23.69	5.15	2.99	6
2-6	21.69	5.15	3.26	5
2-4	19.69	5.15	2.86	5
2-2	15.69	5.15	2.68	4
2-0	15.69	4.15	2.68	4
1-10	15.69	3.15	2.68	4
1-8	11.96	4.02	2.46	3
1-6	11.96	3.02	2.46	3

Bottom rail dimension does not comply with ADA requirements.

Chelan (Cashal)

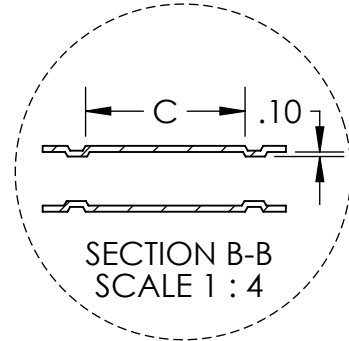
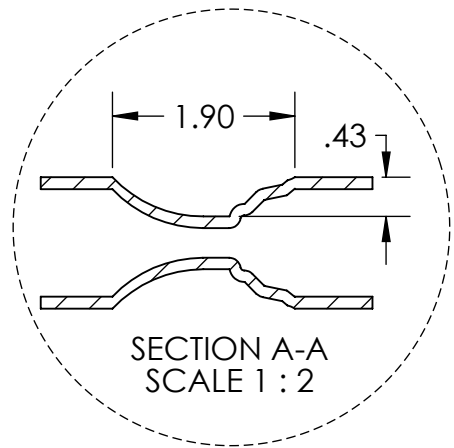
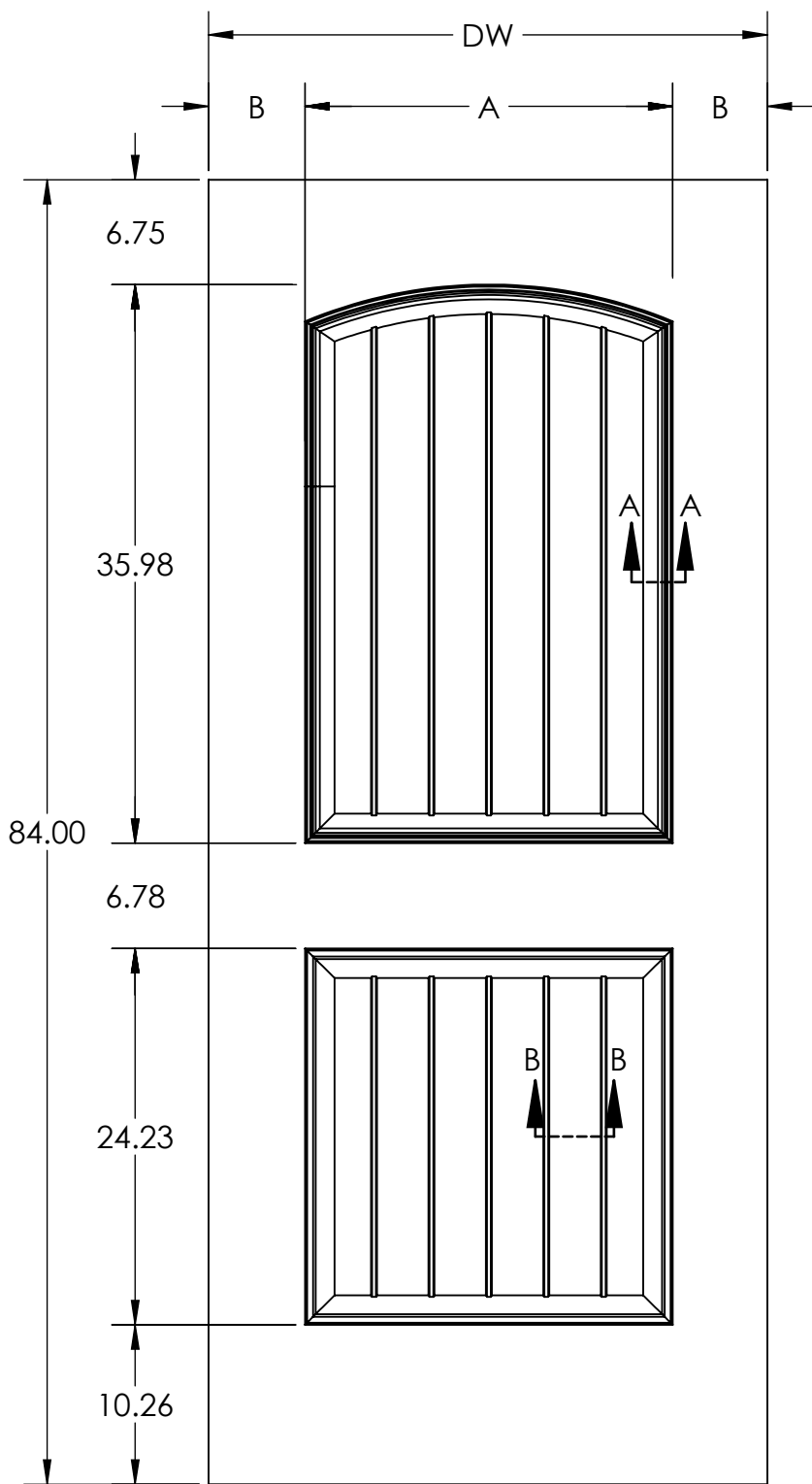
Molded Profile Door



DIMENSIONS ARE IN: Inches
 DOOR TOLERANCES
 WIDTH (FULL WIDTH): ±1/16
 WIDTH (PREFIT): ±1/32
 HEIGHT: ±1/16
 SQUARE: ±1/8

THE INFORMATION CONTAINED IN THIS DRAWING IS THE SOLE PROPERTY OF Lynden Door, Inc. ANY REPRODUCTION IN PART OR AS A WHOLE WITHOUT THE WRITTEN PERMISSION OF Lynden Door, Inc. IS PROHIBITED.

A04-00048 01/10/19



Chelan 7'0"

All dimensions nominal before prefit and bevel.

DW	A	B	C	# of Planks
3-0	25.69	6.15	3.32	6
2-10	23.69	6.15	2.99	6
2-8	23.69	5.15	2.99	6
2-6	21.69	5.15	3.26	5
2-4	19.69	5.15	2.86	5
2-2	15.69	5.15	2.68	4
2-0	15.69	4.15	2.68	4
1-10	15.69	3.15	2.68	4
1-8	11.96	4.02	2.46	3
1-6	11.96	3.02	2.46	3

Bottom rail dimension complies with ADA requirements.

Chelan (Cashal)

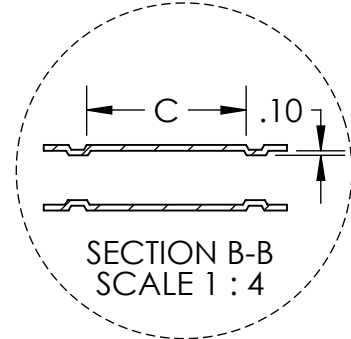
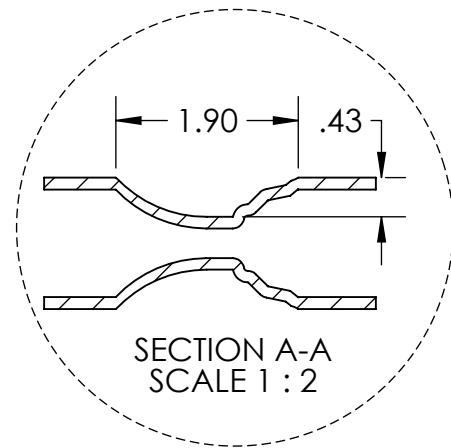
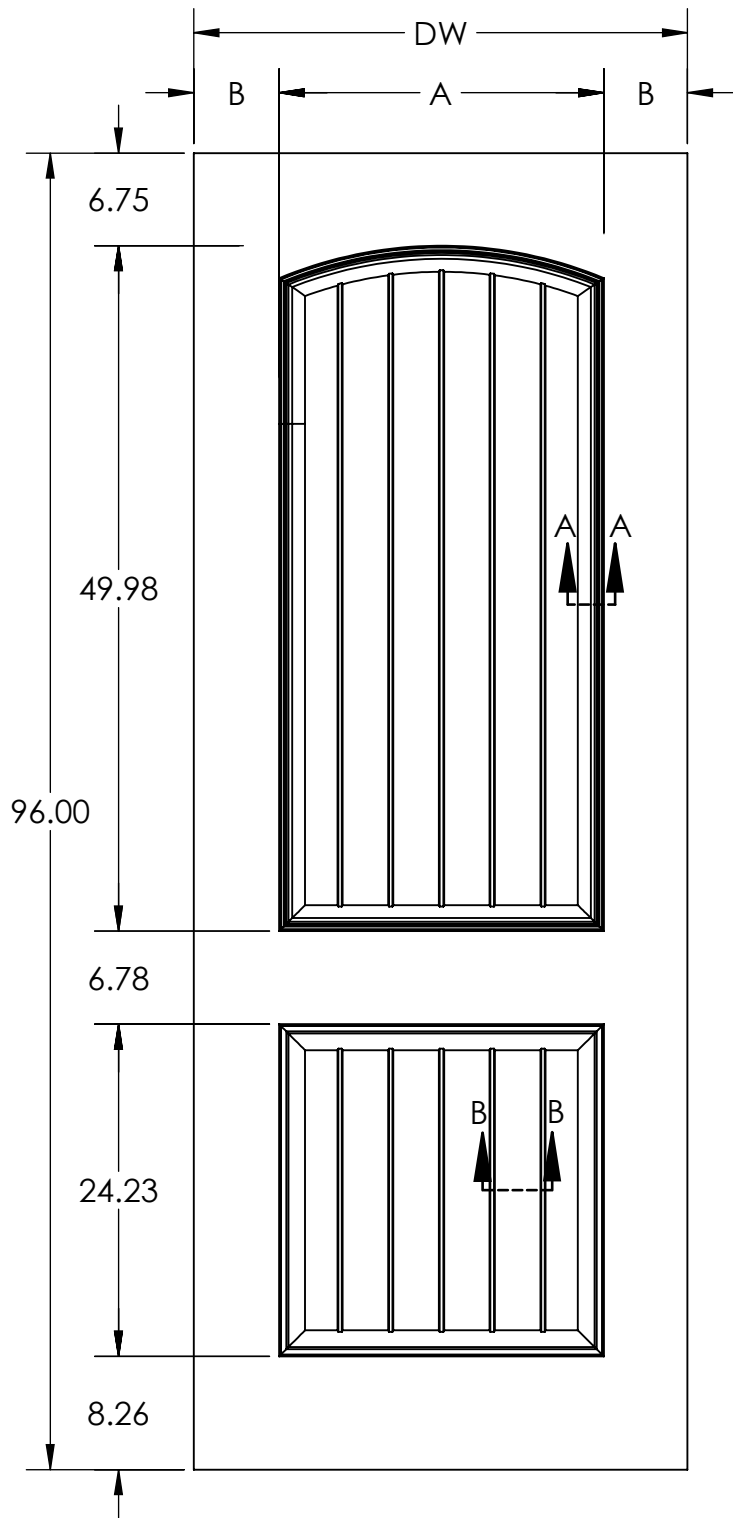
Molded Profile Door



DIMENSIONS ARE IN: inches
DOOR TOLERANCES
WIDTH (FULL WIDTH): ±1/16
WIDTH (PREFIT): ±1/32
HEIGHT: ±1/16
SQUARE: ±1/8

THE INFORMATION CONTAINED IN THIS DRAWING IS THE SOLE PROPERTY OF Lynden Door, Inc. ANY REPRODUCTION IN PART OR AS A WHOLE WITHOUT THE WRITTEN PERMISSION OF Lynden Door, Inc. IS PROHIBITED.

A04-00048.01/10/19



Chelan 8'0"				
All dimensions nominal before prefit and bevel.				
DW	A	B	C	# of Planks
3-0	25.69	5.15	3.32	6
2-10*	25.69	4.15	2.99	6
2-8	23.69	4.15	2.99	6
2-6	21.69	4.15	3.26	5
2-4	19.69	4.15	2.86	5
2-2*	19.69	3.15	2.68	4
2-0	15.69	4.15	2.68	4
1-10	15.69	3.15	2.68	4
1-8	11.96	4.02	2.46	3
1-6	11.96	3.02	2.46	3
Bottom rail dimension does not comply with ADA requirements.				
*Contact factory regarding availability of wider stile options.				

Chelan (Cashal)

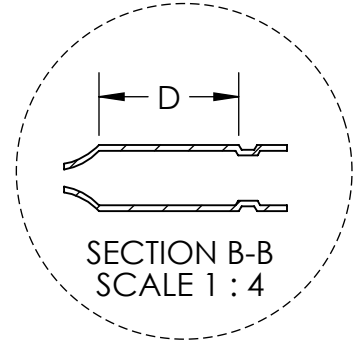
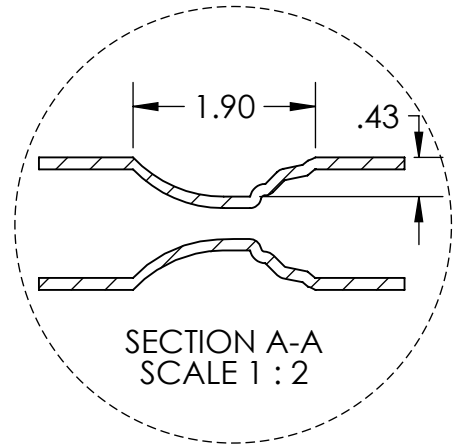
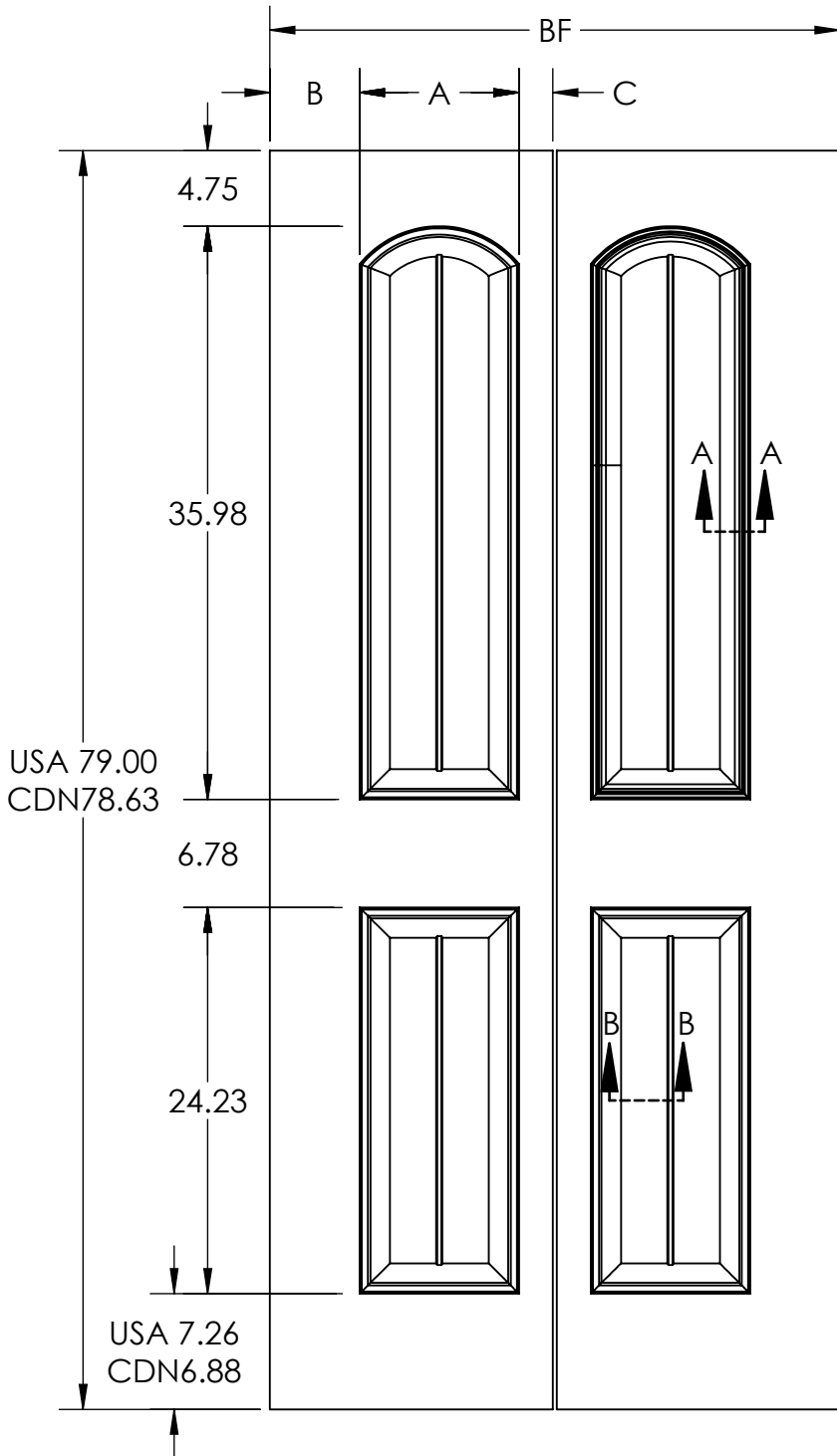
Molded Profile Door



DIMENSIONS ARE IN: inches
 DOOR TOLERANCES
 WIDTH (FULL WIDTH): ±1/16
 WIDTH (PREFIT): ±1/32
 HEIGHT: ±1/16
 SQUARE: ±1/8

THE INFORMATION CONTAINED IN THIS DRAWING IS THE SOLE PROPERTY OF Lynden Door, Inc. ANY REPRODUCTION IN PART OR AS A WHOLE WITHOUT THE WRITTEN PERMISSION OF Lynden Door, Inc. IS PROHIBITED.

A04-00048.01/10/19



Chelan Bifold 6'8"				
BF	A	B	C	D
3-0	10.00	5.63	2.12	2.90
2-8	10.00	3.63	2.12	2.90
2-6	10.00	2.63	2.12	2.90
2-4	10.00	2.12	1.63	2.90
2-0	8.20	2.17	1.38	2.01

Use of heavy duty hardware may require additional undercut. Lynden Door standard is 3/4"

Chelan (Cashal)

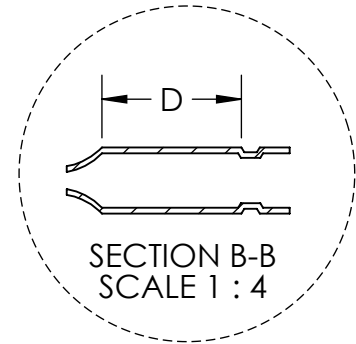
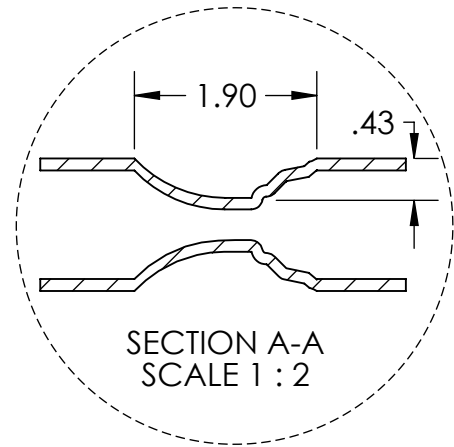
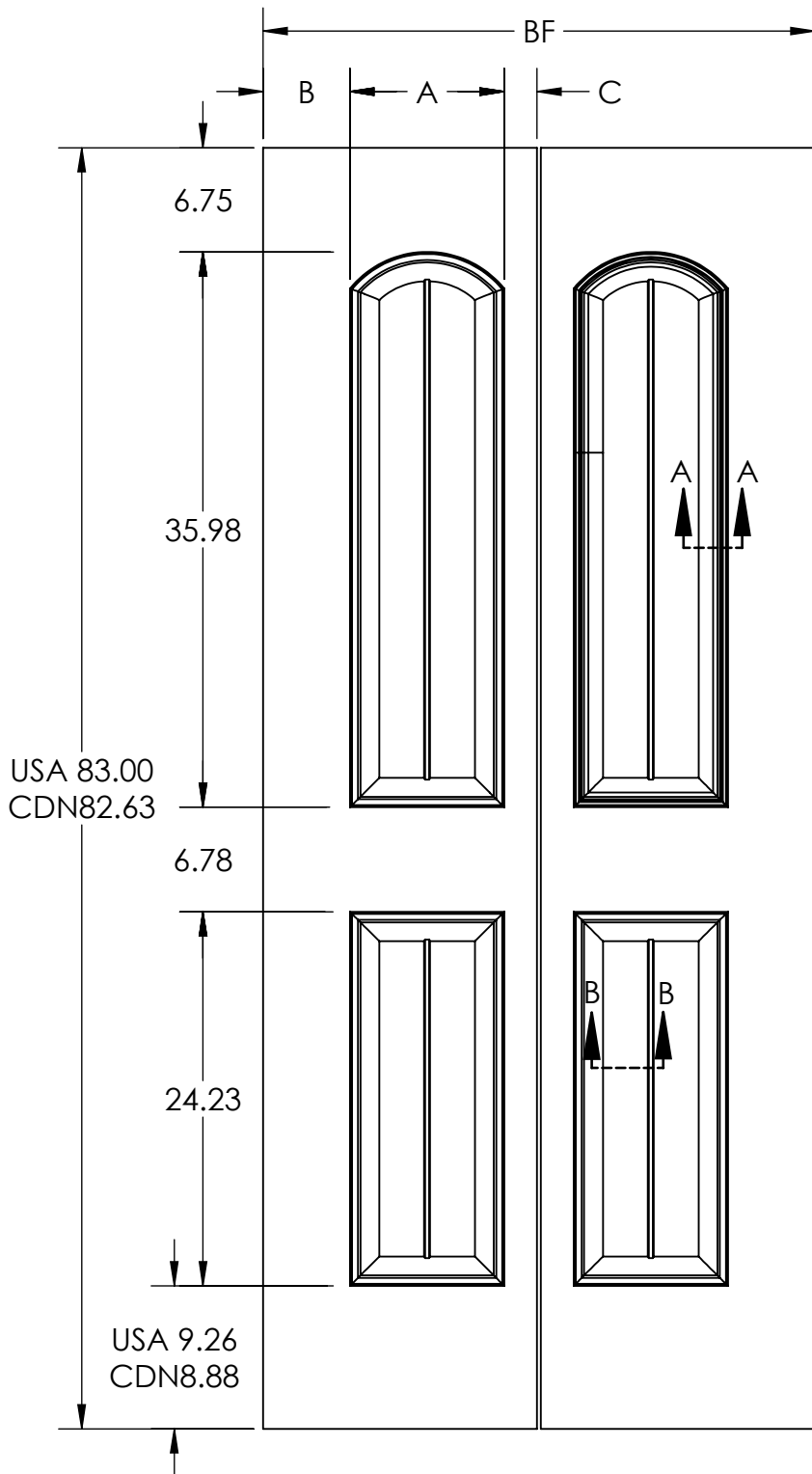
Molded Profile Bifold



DIMENSIONS ARE IN: Inches
 DOOR TOLERANCES
 WIDTH (FULL WIDTH): $\pm 1/16$
 WIDTH (PREFIT): $\pm 1/32$
 HEIGHT: $\pm 1/16$
 SQUARE: $\pm 1/8$

THE INFORMATION CONTAINED IN THIS DRAWING IS THE SOLE PROPERTY OF Lynden Door, Inc. ANY REPRODUCTION IN PART OR AS A WHOLE WITHOUT THE WRITTEN PERMISSION OF Lynden Door, Inc. IS PROHIBITED.

A04-00048 01/10/19



Chelan Bifold 7'0"				
BF	A	B	C	D
3-0*	10.00	5.63	2.12	2.90
2-8*	10.00	3.63	2.12	2.90
2-6*	10.00	2.63	2.12	2.90
2-4*	10.00	2.12	1.63	2.90
2-0*	8.20	2.17	1.38	2.01

Use of heavy duty hardware may require additional undercut. Lynden Door standard is 3/4"

*** Non-Stock, Contact factory for pricing and availability.**

Chelan (Cashal)

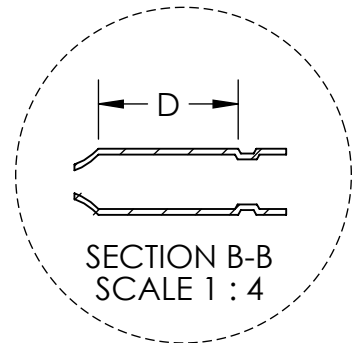
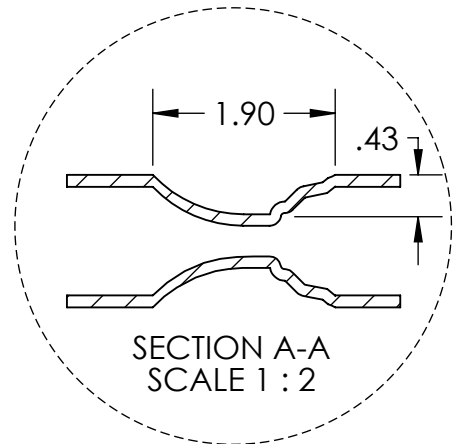
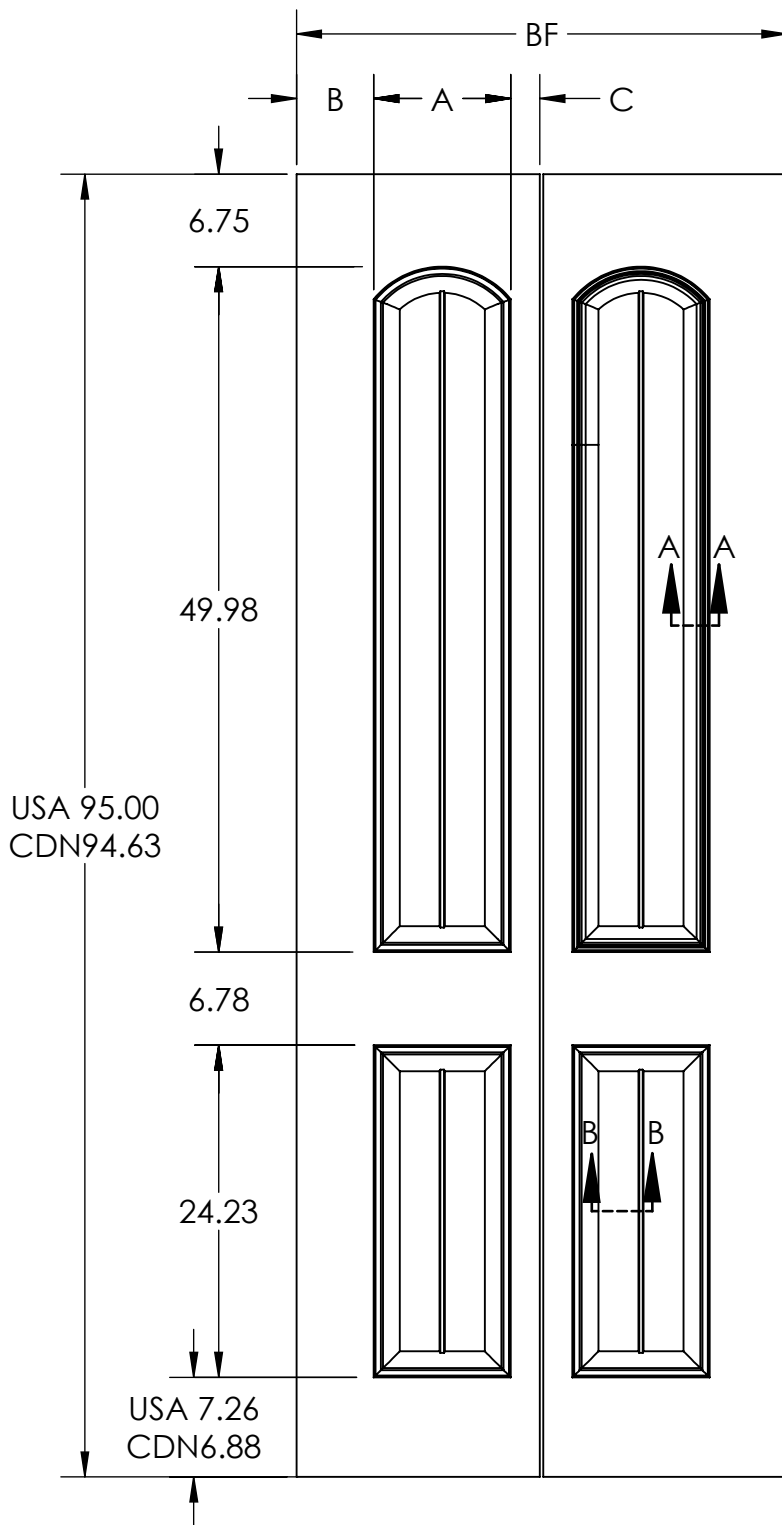
Molded Profile Bifold



DIMENSIONS ARE IN: inches
 DOOR TOLERANCES
 WIDTH (FULL WIDTH): ±1/16
 WIDTH (PREFIT): ±1/32
 HEIGHT: ±1/16
 SQUARE: ±1/8

THE INFORMATION CONTAINED IN THIS DRAWING IS THE SOLE PROPERTY OF Lynden Door, Inc. ANY REPRODUCTION IN PART OR AS A WHOLE WITHOUT THE WRITTEN PERMISSION OF Lynden Door, Inc. IS PROHIBITED.

A04-00048 01/10/19



Chelan Bifold 8'0"				
BF	A	B	C	D
3-0*	10.00	5.63	2.12	2.90
2-8*	10.00	3.63	2.12	2.90
2-6*	10.00	2.63	2.12	2.90
2-4*	10.00	2.12	1.63	2.90
2-0*	8.20	2.17	1.38	2.01

Use of heavy duty hardware may require additional undercut. Lynden Door standard is 3/4"

*** Non-Stock, Contact factory for pricing and availability.**

Chelan (Cashal)

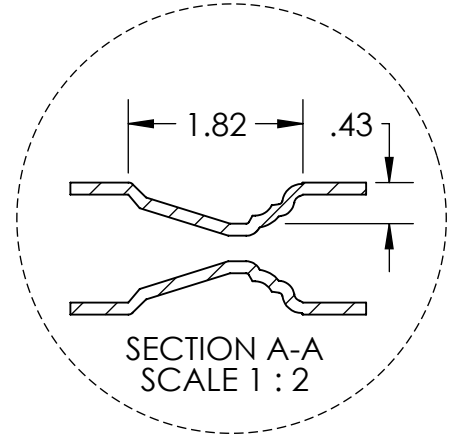
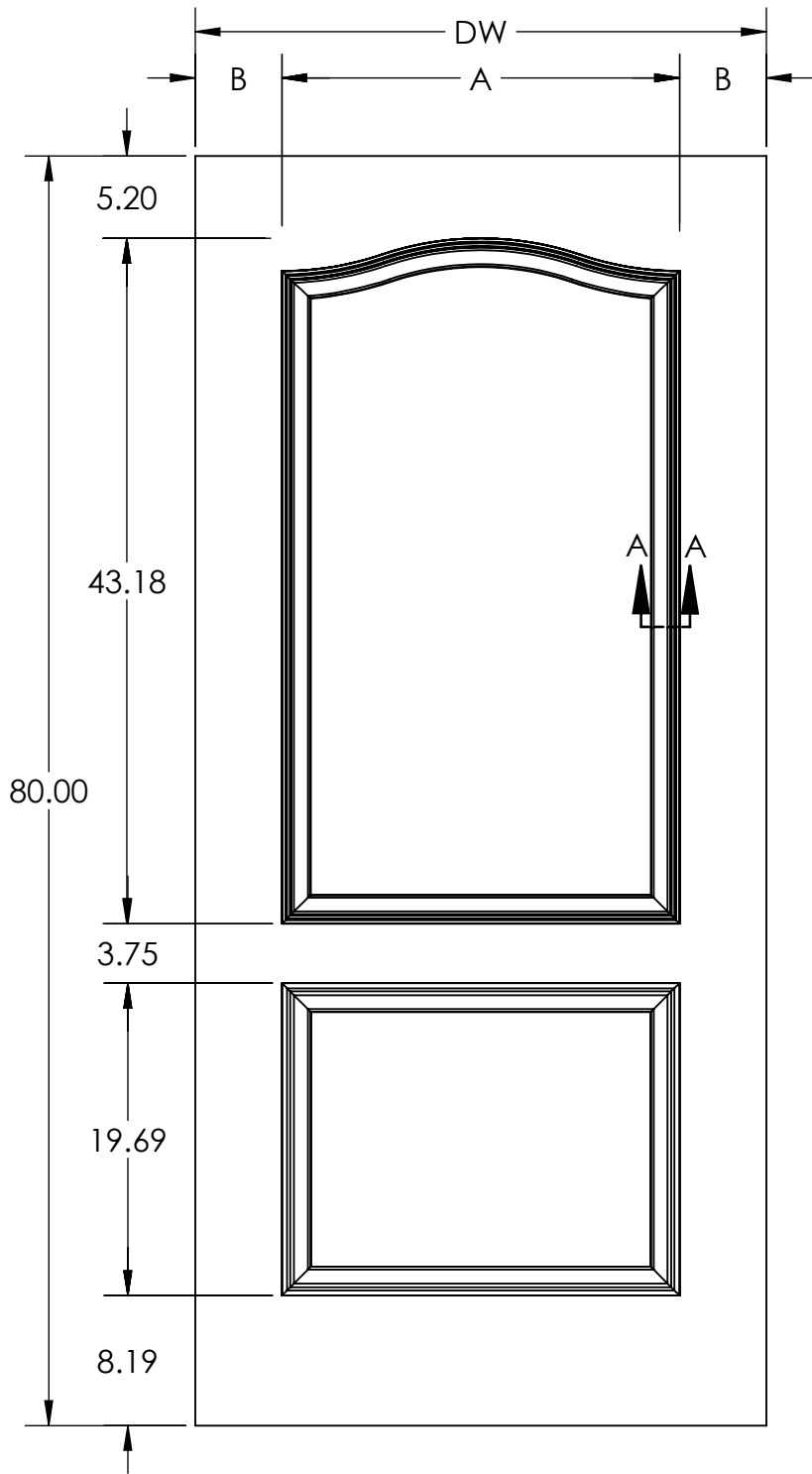
Molded Profile Bifold



DIMENSIONS ARE IN: Inches
 DOOR TOLERANCES
 WIDTH (FULL WIDTH): ±1/16
 WIDTH (PREFIT): ±1/32
 HEIGHT: ±1/16
 SQUARE: ±1/8

THE INFORMATION CONTAINED IN THIS DRAWING IS THE SOLE PROPERTY OF Lynden Door, Inc. ANY REPRODUCTION IN PART OR AS A WHOLE WITHOUT THE WRITTEN PERMISSION OF Lynden Door, Inc. IS PROHIBITED.

A04-00048 01/10/19



Samish 6'8"		
All dimensions nominal before prefit and bevel.		
DW	A	B
3-0	25.00	5.50
2-10	22.81	5.59
2-8	22.81	4.59
2-6	19.56	5.21
2-4	18.12	4.93
2-2	18.12	3.93
2-0	14.93	4.53
1-10	14.93	3.53
1-8	9.50	5.25
1-6	9.50	4.25
Bottom rail dimension does not comply with ADA requirements.		

Samish (Cremona)

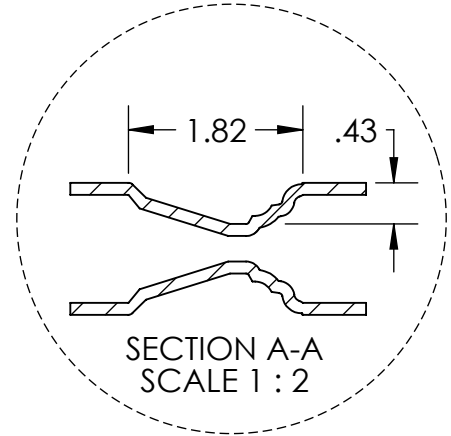
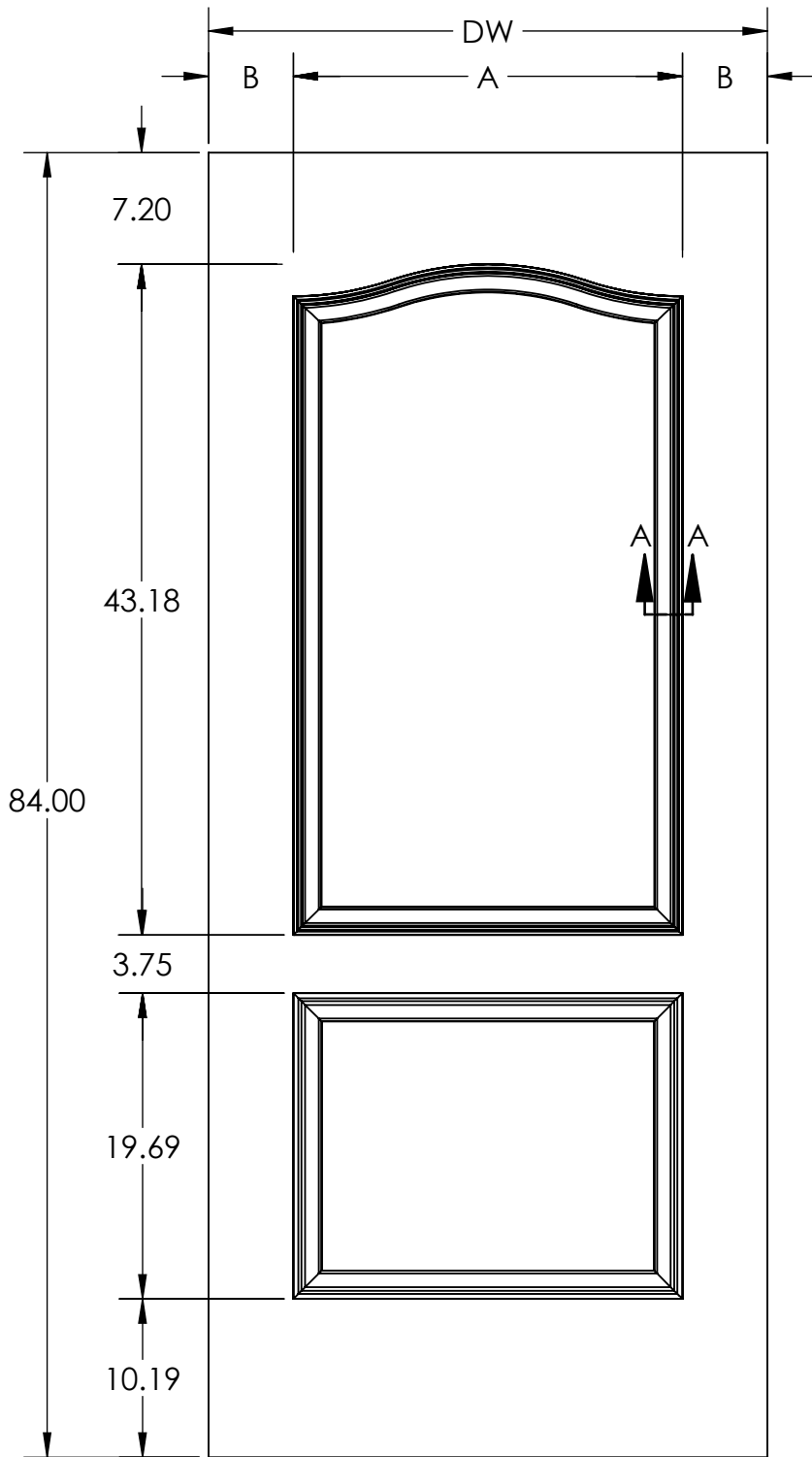
Molded Profile Door



DIMENSIONS ARE IN: inches
 DOOR TOLERANCES
 WIDTH (FULL WIDTH): $\pm 1/16$
 WIDTH (PREFIT): $\pm 1/32$
 HEIGHT: $\pm 1/16$
 SQUARE: $\pm 1/8$

THE INFORMATION CONTAINED IN THIS DRAWING IS THE
 SOLE PROPERTY OF Lynden Door, Inc. ANY
 REPRODUCTION IN PART OR AS A WHOLE WITHOUT THE
 WRITTEN PERMISSION OF Lynden Door, Inc. IS PROHIBITED.

A04-00039 01/14/19



Samish 7'0"		
All dimensions nominal before prefit and bevel.		
DW	A	B
3-0	25.00	5.50
2-10	22.81	5.59
2-8	22.81	4.59
2-6	19.56	5.21
2-4	18.12	4.93
2-2	18.12	3.93
2-0*	14.93	4.53
1-10*	14.93	3.53
1-8*	9.50	5.25
1-6*	9.50	4.25
Bottom rail dimension complies with ADA requirements.		
* Non-Stock, Contact factory for pricing and availability.		

Samish (Cremona)

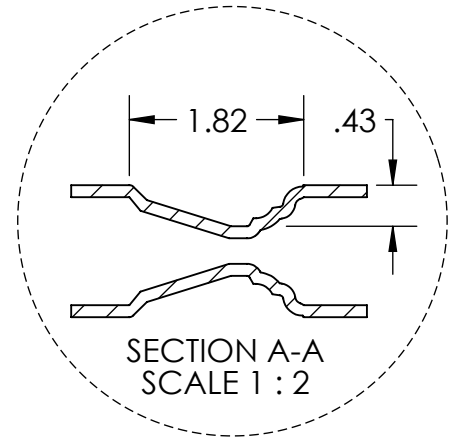
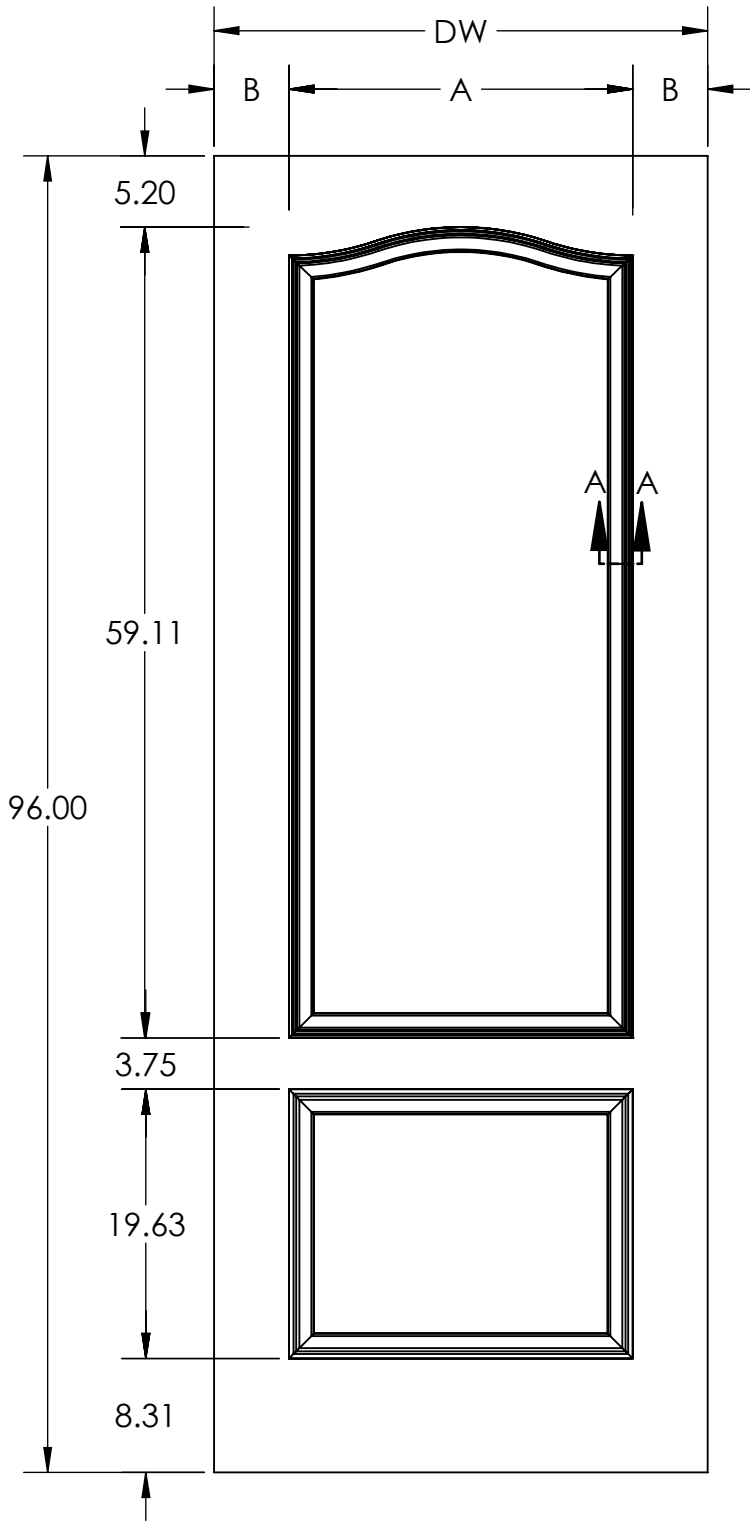
Molded Profile Door



DIMENSIONS ARE IN: inches
 DOOR TOLERANCES
 WIDTH (FULL WIDTH): $\pm 1/16$
 WIDTH (PREFIT): $\pm 1/32$
 HEIGHT: $\pm 1/16$
 SQUARE: $\pm 1/8$

THE INFORMATION CONTAINED IN THIS DRAWING IS THE SOLE PROPERTY OF Lynden Door, Inc. ANY REPRODUCTION IN PART OR AS A WHOLE WITHOUT THE WRITTEN PERMISSION OF Lynden Door, Inc. IS PROHIBITED.

A04-00039 01/14/19



Samish 8'0"		
All dimensions nominal before prefit and bevel.		
DW	A	B
3-0	25.00	5.50
2-10*	25.00	4.50
2-8	22.81	4.59
2-6	19.56	5.21
2-4	18.12	4.93
2-2	18.12	3.93
2-0	14.93	4.53
1-10	14.93	3.53
1-8	9.50	5.25
1-6	9.50	4.25
Bottom rail dimension does not comply with ADA requirements.		
*Contact factory regarding availability of wider stile options.		

Samish (Cremona)

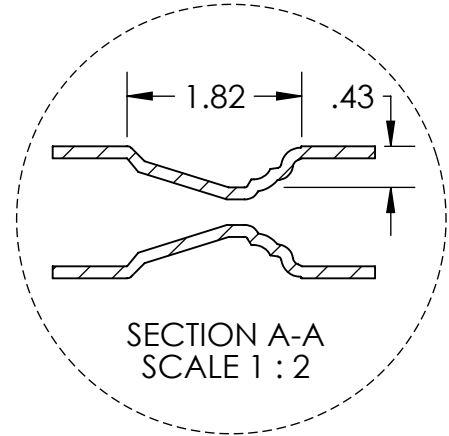
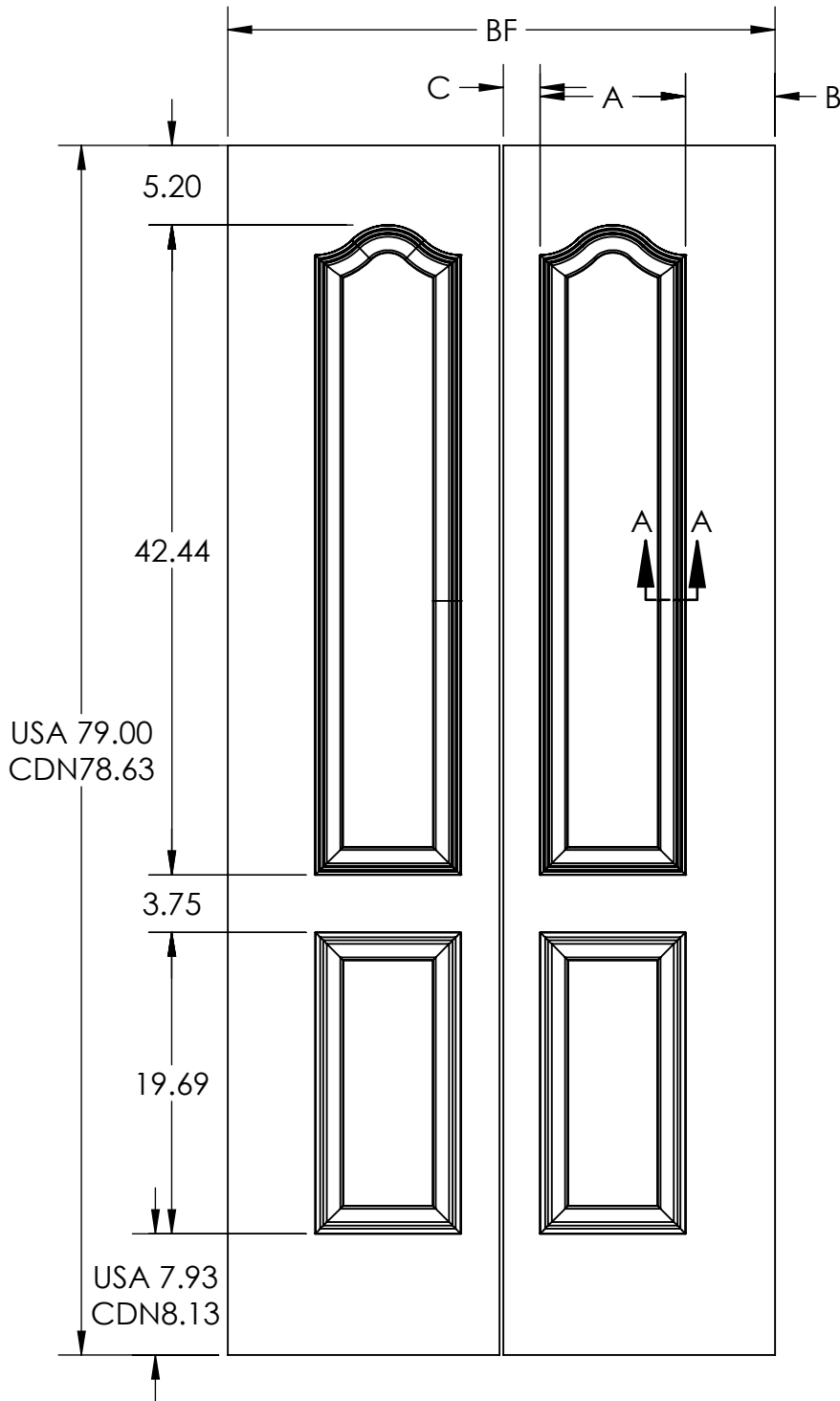
Molded Profile Door



DIMENSIONS ARE IN: inches
 DOOR TOLERANCES
 WIDTH (FULL WIDTH): ±1/16
 WIDTH (PREFIT): ±1/32
 HEIGHT: ±1/16
 SQUARE: ±1/8

THE INFORMATION CONTAINED IN THIS DRAWING IS THE SOLE PROPERTY OF Lynden Door, Inc. ANY REPRODUCTION IN PART OR AS A WHOLE WITHOUT THE WRITTEN PERMISSION OF Lynden Door, Inc. IS PROHIBITED.

A04-00039 01/14/19



Samish Bifold 6'8"			
BF	A	B	C
3-0	9.50	5.87	2.38
2-8	9.50	3.87	2.38
2-6	8.63	4.37	1.75
2-4	8.63	2.37	1.75
2-0	6.75	3.25	1.75
1-8	6.75	1.75	1.25
1-6	6.75	1.00	1.00

Use of heavy duty hardware may require additional undercut. Lynden Door standard is 3/4"

Samish (Cremona)

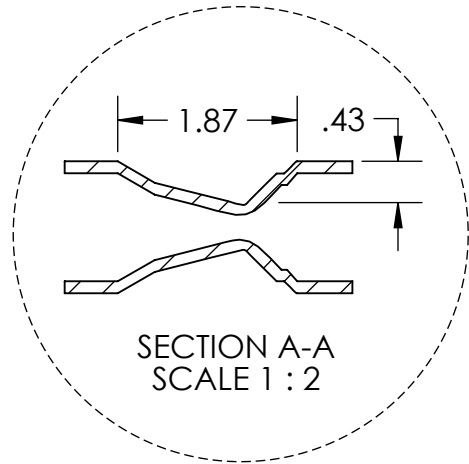
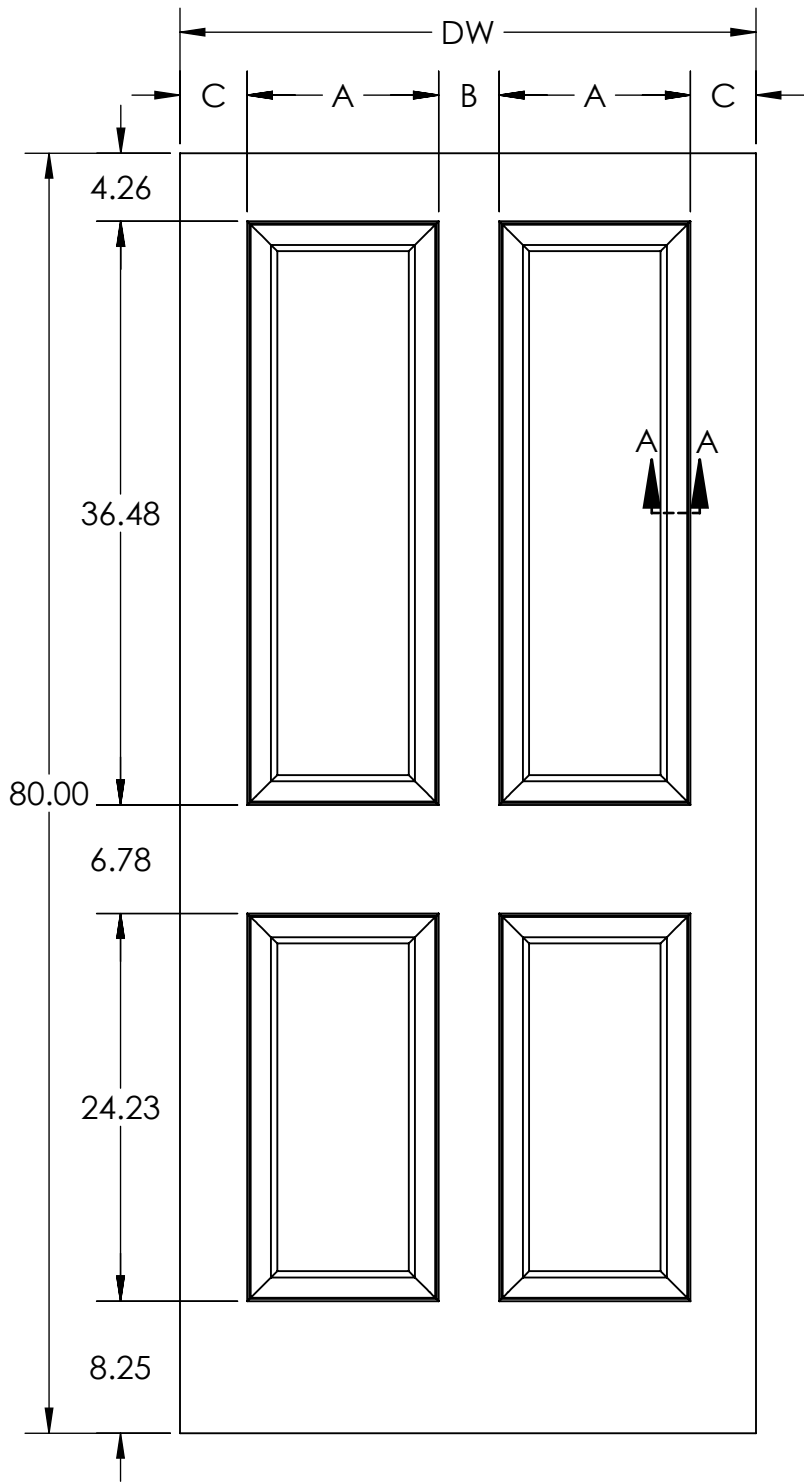
Molded Profile Bifold



DIMENSIONS ARE IN: inches
 DOOR TOLERANCES
 WIDTH (FULL WIDTH): ±1/16
 WIDTH (PREFIT): ±1/32
 HEIGHT: ±1/16
 SQUARE: ±1/8

THE INFORMATION CONTAINED IN THIS DRAWING IS THE SOLE PROPERTY OF Lynden Door, Inc. ANY REPRODUCTION IN PART OR AS A WHOLE WITHOUT THE WRITTEN PERMISSION OF Lynden Door, Inc. IS PROHIBITED.

A04-00039 01/14/19



Bainbridge 6'8"			
All dimensions nominal before prefit and bevel.			
DW	A	B	C
3-0	11.96	3.78	4.15
2-10	9.96	3.78	5.15
2-8	9.96	3.78	4.15
2-6	8.96	3.78	4.15
2-4	7.96	3.78	4.15
2-2	5.96	3.78	5.15
2-0	5.96	3.78	4.15
1-10	5.96	3.78	3.15
Bottom rail dimension does not comply with ADA requirements.			

Bainbridge (Coventry)

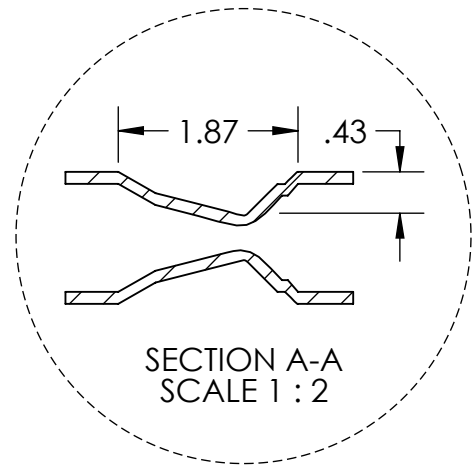
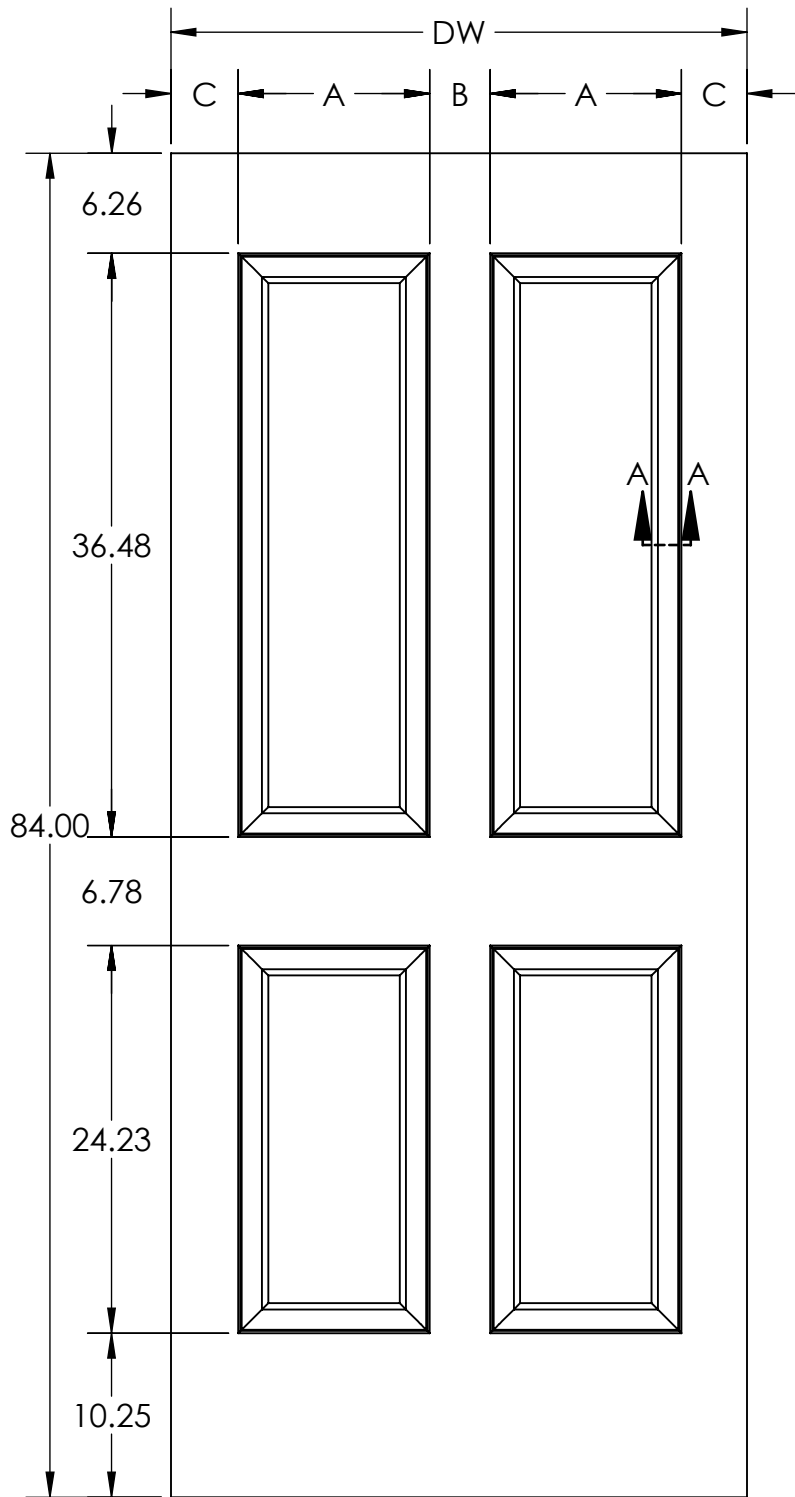
Molded Profile Door

LD Lynden Door
Open Your Future

DIMENSIONS ARE IN: Inches
DOOR TOLERANCES
WIDTH (FULL WIDTH): $\pm 1/16$
WIDTH (PREFIT): $\pm 1/32$
HEIGHT: $\pm 1/16$
SQUARE: $\pm 1/8$

THE INFORMATION CONTAINED IN THIS DRAWING IS THE SOLE PROPERTY OF Lynden Door, Inc. ANY REPRODUCTION IN PART OR AS A WHOLE WITHOUT THE WRITTEN PERMISSION OF Lynden Door, Inc. IS PROHIBITED.

A04-00045 01/15/19



Bainbridge 7'0"			
All dimensions nominal before prefit and bevel.			
DW	A	B	C
3-0	11.96	3.78	4.15
2-10	9.96	3.78	5.15
2-8	9.96	3.78	4.15
2-6	8.96	3.78	4.15
2-4	7.96	3.78	4.15
2-2	5.96	3.78	5.15
2-0	5.96	3.78	4.15
1-10	5.96	3.78	3.15
Bottom rail dimension complies with ADA requirements.			

Bainbridge (Coventry)

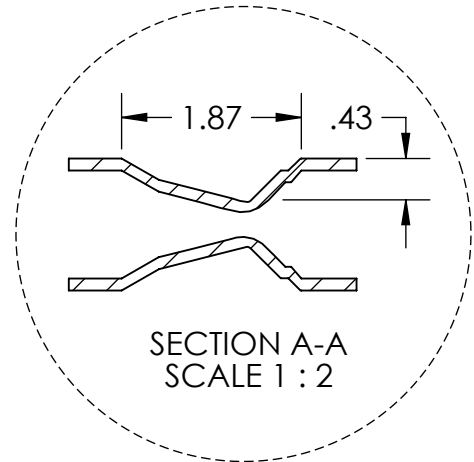
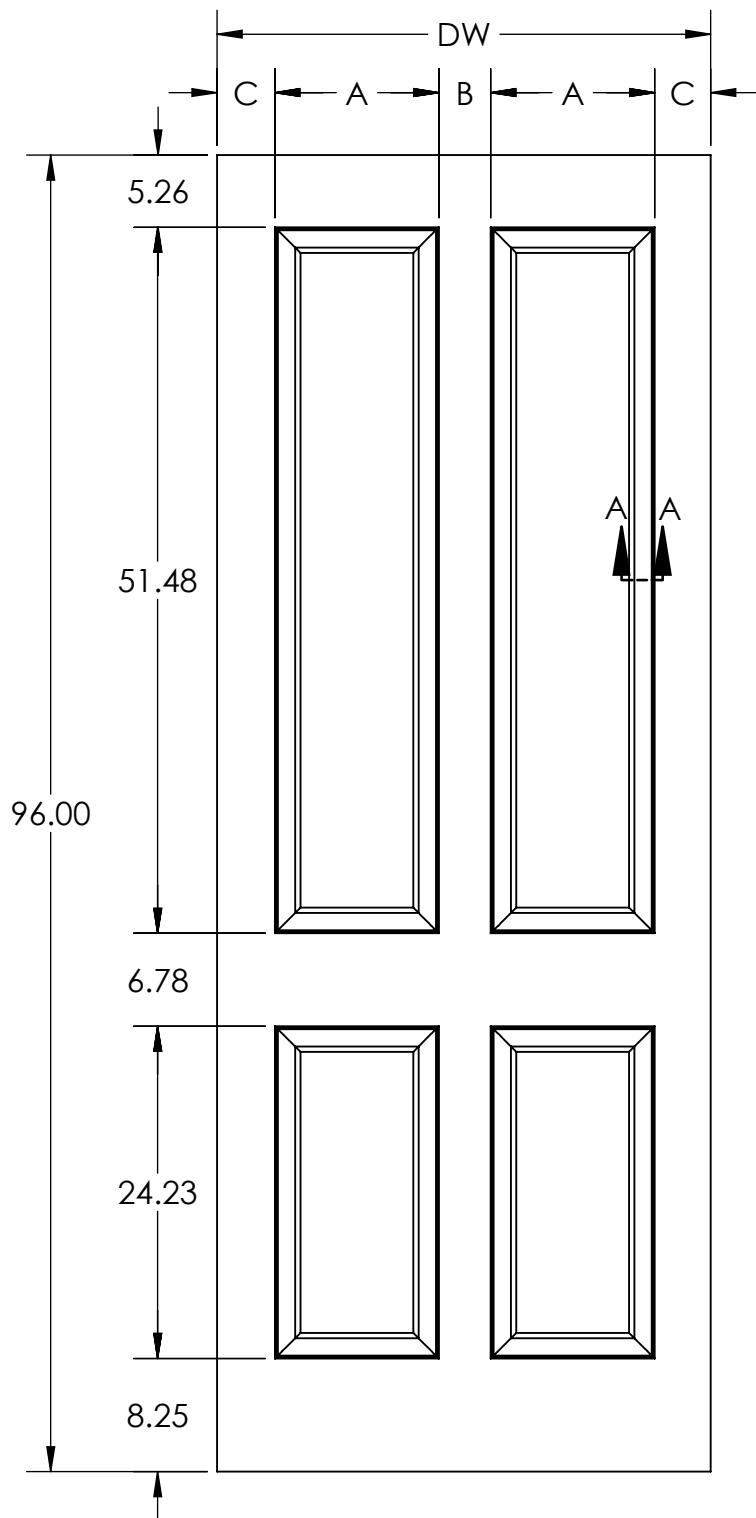
Molded Profile Door

LD Lynden Door
Open Your Future

DIMENSIONS ARE IN: Inches
DOOR TOLERANCES
WIDTH (FULL WIDTH): $\pm 1/16$
WIDTH (PREFIT): $\pm 1/32$
HEIGHT: $\pm 1/16$
SQUARE: $\pm 1/8$

THE INFORMATION CONTAINED IN THIS DRAWING IS THE SOLE PROPERTY OF Lynden Door, Inc. ANY REPRODUCTION IN PART OR AS A WHOLE WITHOUT THE WRITTEN PERMISSION OF Lynden Door, Inc. IS PROHIBITED.

A04-00045 01/15/19



Bainbridge 8'0"			
All dimensions nominal before prefit and bevel.			
DW	A	B	C
3-0	11.96	3.78	4.15
2-10*	11.96	3.78	3.15
2-8	9.96	3.78	4.15
2-6	8.96	3.78	4.15
2-4	7.96	3.78	4.15
2-2*	7.96	3.78	3.15
2-0	5.96	3.78	4.15
1-10	5.96	3.78	3.15
Bottom rail dimension does not comply with ADA requirements.			
* Contact factory regarding availability of wider stile options.			

Bainbridge (Coventry)

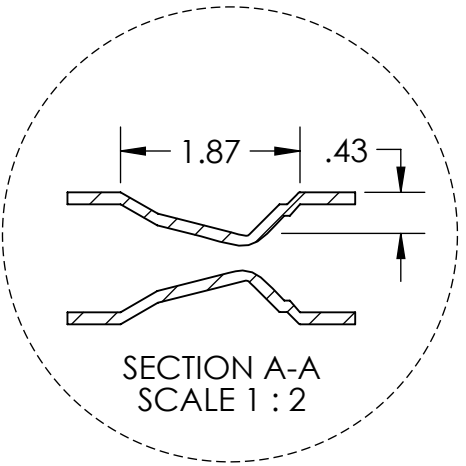
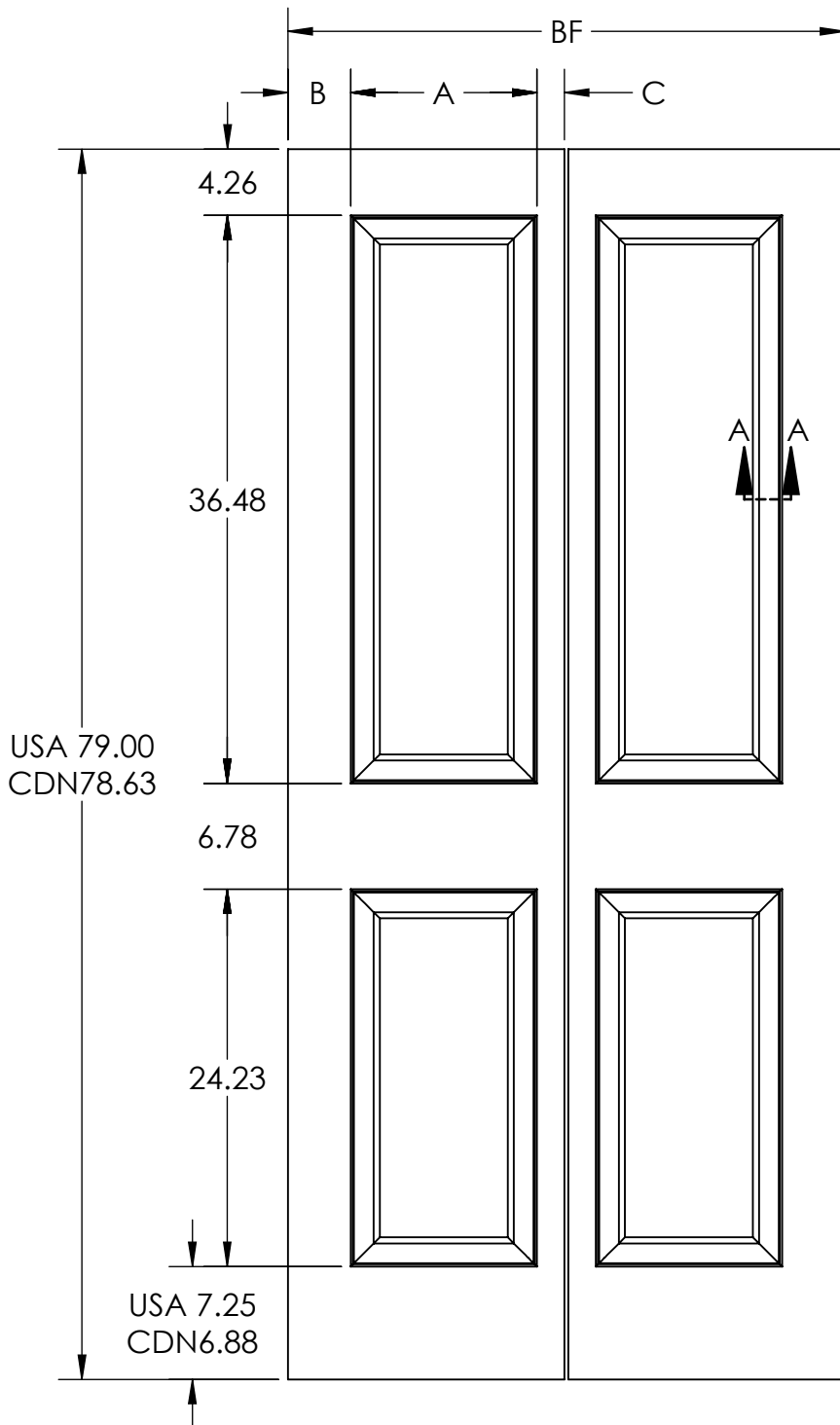
Molded Profile Door



DIMENSIONS ARE IN: inches
 DOOR TOLERANCES
 WIDTH (FULL WIDTH): ±1/16
 WIDTH (PREFIT): ±1/32
 HEIGHT: ±1/16
 SQUARE: ±1/8

THE INFORMATION CONTAINED IN THIS DRAWING IS THE SOLE PROPERTY OF Lynden Door, Inc. ANY REPRODUCTION IN PART OR AS A WHOLE WITHOUT THE WRITTEN PERMISSION OF Lynden Door, Inc. IS PROHIBITED.

A04-00045 01/15/19



Bainbridge Bifold 6'8"			
BF	A	B	C
3-0	11.96	4.02	1.77
2-8	9.96	4.02	1.77
2-6	8.96	4.02	1.77
2-4	7.96	4.02	1.77
2-0	5.96	4.02	1.77
1-8	5.96	2.02	1.77
1-6	5.96	1.77	1.02

Use of heavy duty hardware may require additional undercut. Lynden Door standard is 3/4"

Bainbridge (Coventry)

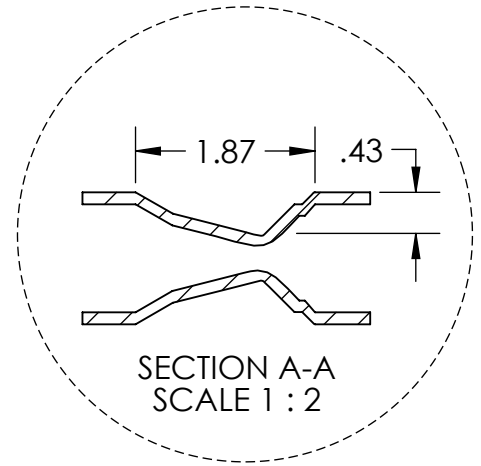
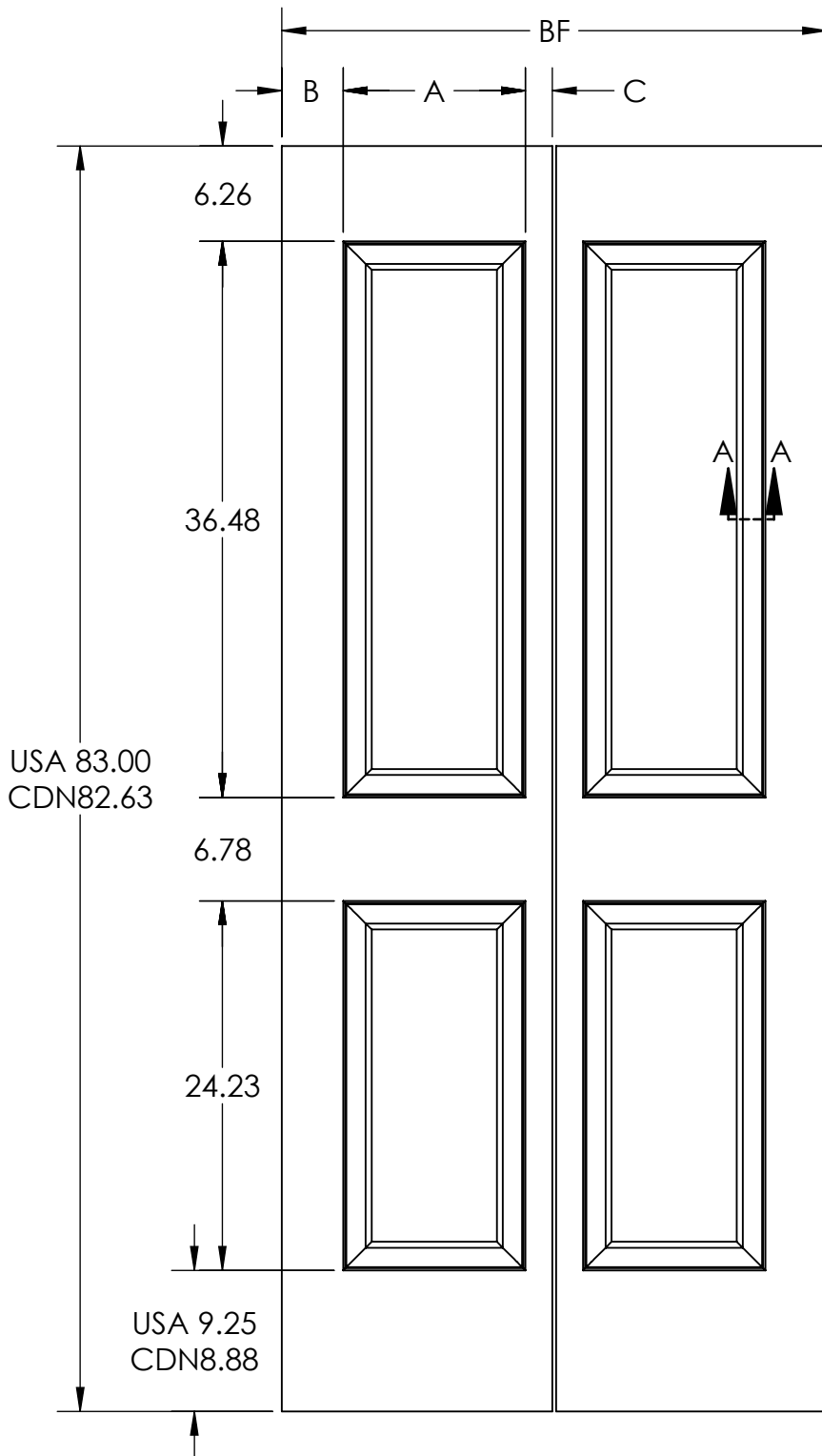
Molded Profile Bifold



DIMENSIONS ARE IN: Inches
DOOR TOLERANCES
WIDTH (FULL WIDTH): $\pm 1/16$
WIDTH (PREFIT): $\pm 1/32$
HEIGHT: $\pm 1/16$
SQUARE: $\pm 1/8$

THE INFORMATION CONTAINED IN THIS DRAWING IS THE SOLE PROPERTY OF Lynden Door, Inc. ANY REPRODUCTION IN PART OR AS A WHOLE WITHOUT THE WRITTEN PERMISSION OF Lynden Door, Inc. IS PROHIBITED.

A04-00045 01/15/19



Bainbridge Bifold 7'0"			
BF	A	B	C
3-0	11.96	4.02	1.77
2-8	9.96	4.02	1.77
2-6	8.96	4.02	1.77
2-4	7.96	4.02	1.77
2-0	5.96	4.02	1.77
1-8	5.96	2.02	1.77
1-6	5.96	1.77	1.02

Use of heavy duty hardware may require additional undercut. Lynden Door standard is 3/4"

Bainbridge (Coventry)

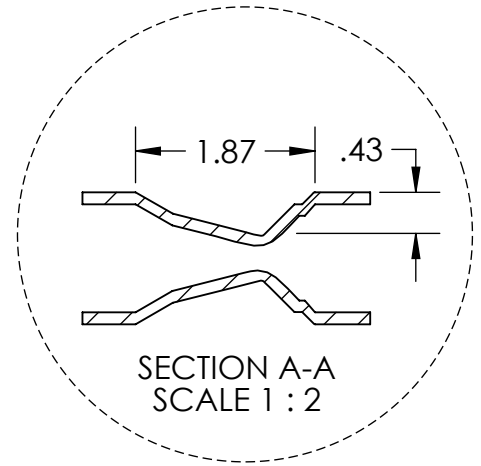
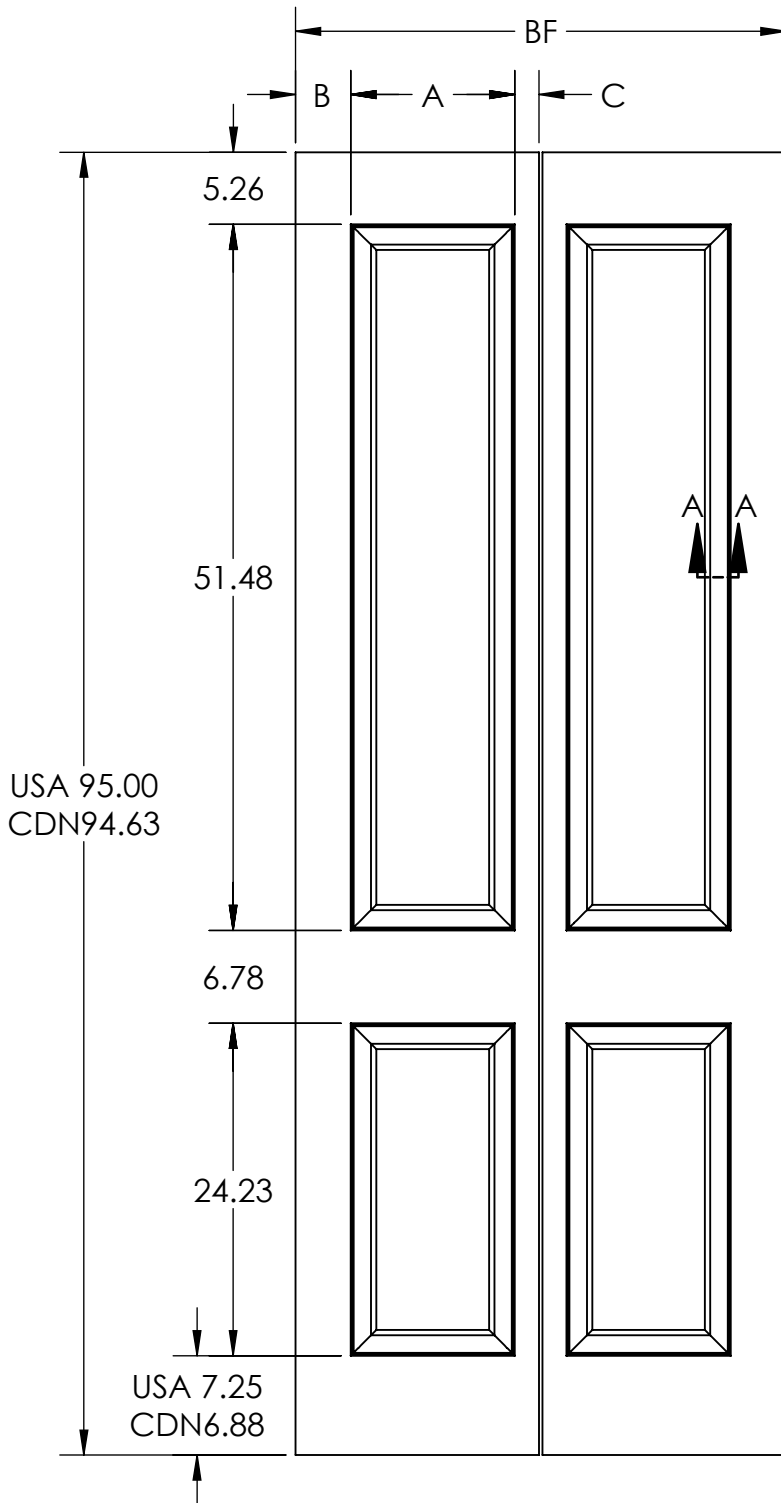
Molded Profile Bifold



DIMENSIONS ARE IN: inches
DOOR TOLERANCES
WIDTH (FULL WIDTH): ±1/16
WIDTH (PREFIT): ±1/32
HEIGHT: ±1/16
SQUARE: ±1/8

THE INFORMATION CONTAINED IN THIS DRAWING IS THE SOLE PROPERTY OF Lynden Door, Inc. ANY REPRODUCTION IN PART OR AS A WHOLE WITHOUT THE WRITTEN PERMISSION OF Lynden Door, Inc. IS PROHIBITED.

A04-00045 01/15/19



Bainbridge Bifold 8'0"			
BF	A	B	C
3-0	11.96	4.02	1.77
2-8	9.96	4.02	1.77
2-6	8.96	4.02	1.77
2-4	7.96	4.02	1.77
2-0	5.96	4.02	1.77
1-8	5.96	2.02	1.77
1-6	5.96	1.77	1.02
Use of heavy duty hardware may require additional undercut. Lynden Door standard is 3/4"			

Bainbridge (Coventry)

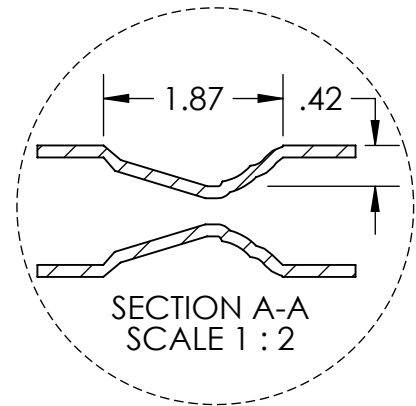
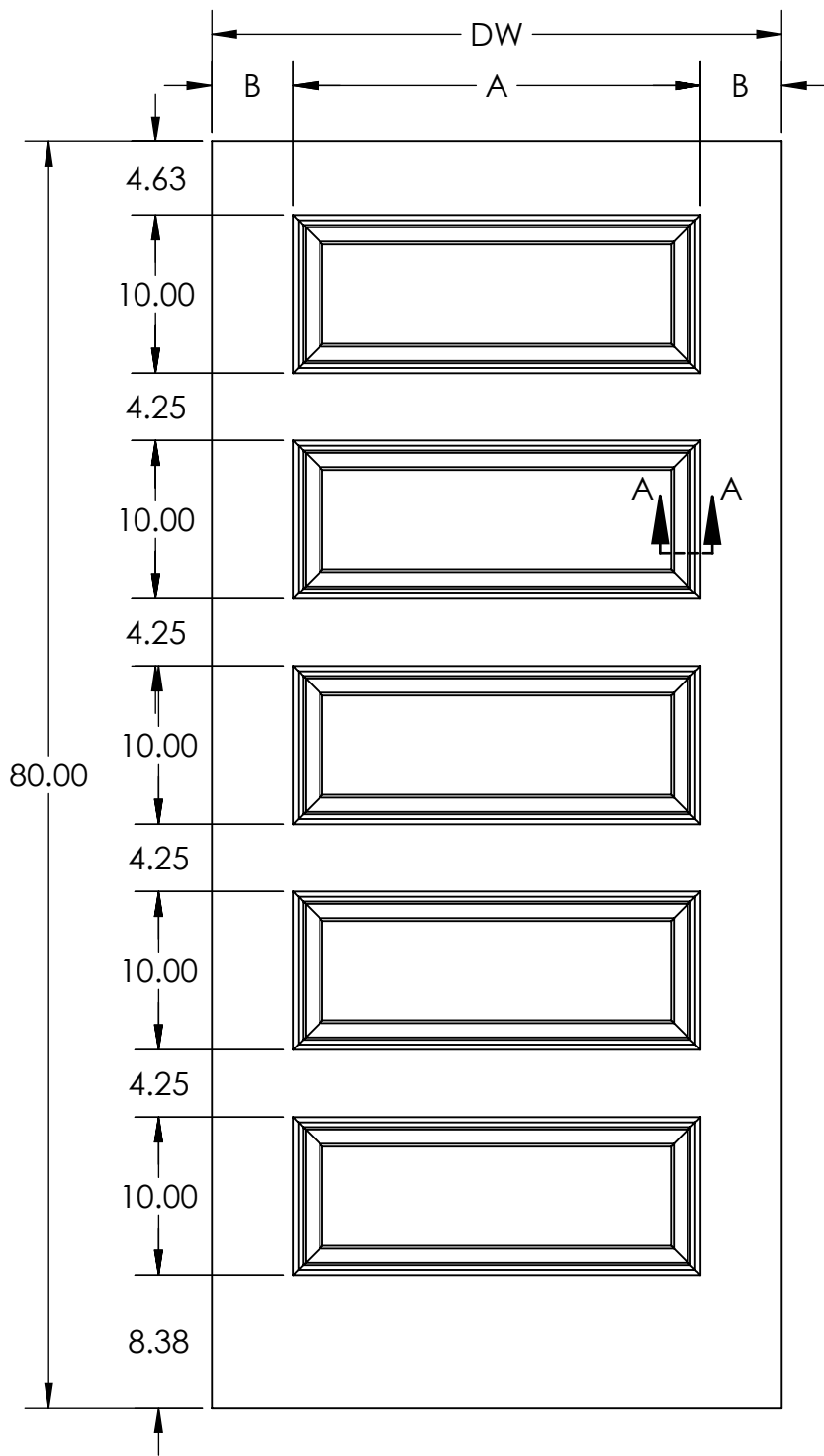
Molded Profile Bifold



DIMENSIONS ARE IN: Inches
DOOR TOLERANCES
WIDTH (FULL WIDTH): ±1/16
WIDTH (PREFIT): ±1/32
HEIGHT: ±1/16
SQUARE: ±1/8

THE INFORMATION CONTAINED IN THIS DRAWING IS THE SOLE PROPERTY OF Lynden Door, Inc. ANY REPRODUCTION IN PART OR AS A WHOLE WITHOUT THE WRITTEN PERMISSION OF Lynden Door, Inc. IS PROHIBITED.

A04-00045 01/15/19



Benton 6'8"		
All dimensions nominal before prefit and bevel.		
DW	A	B
3-0	25.75	5.13
2-10	25.75	4.13
2-8	23.75	4.13
2-6	21.75	4.13
2-4	19.75	4.13
2-2	19.75	3.13
2-0	15.75	4.13
1-10	15.75	3.13
1-8	10.25	4.88
1-6	10.25	3.88
Bottom rail dimension does not comply with ADA requirements.		

Benton

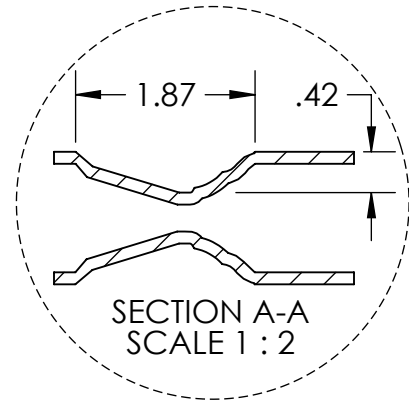
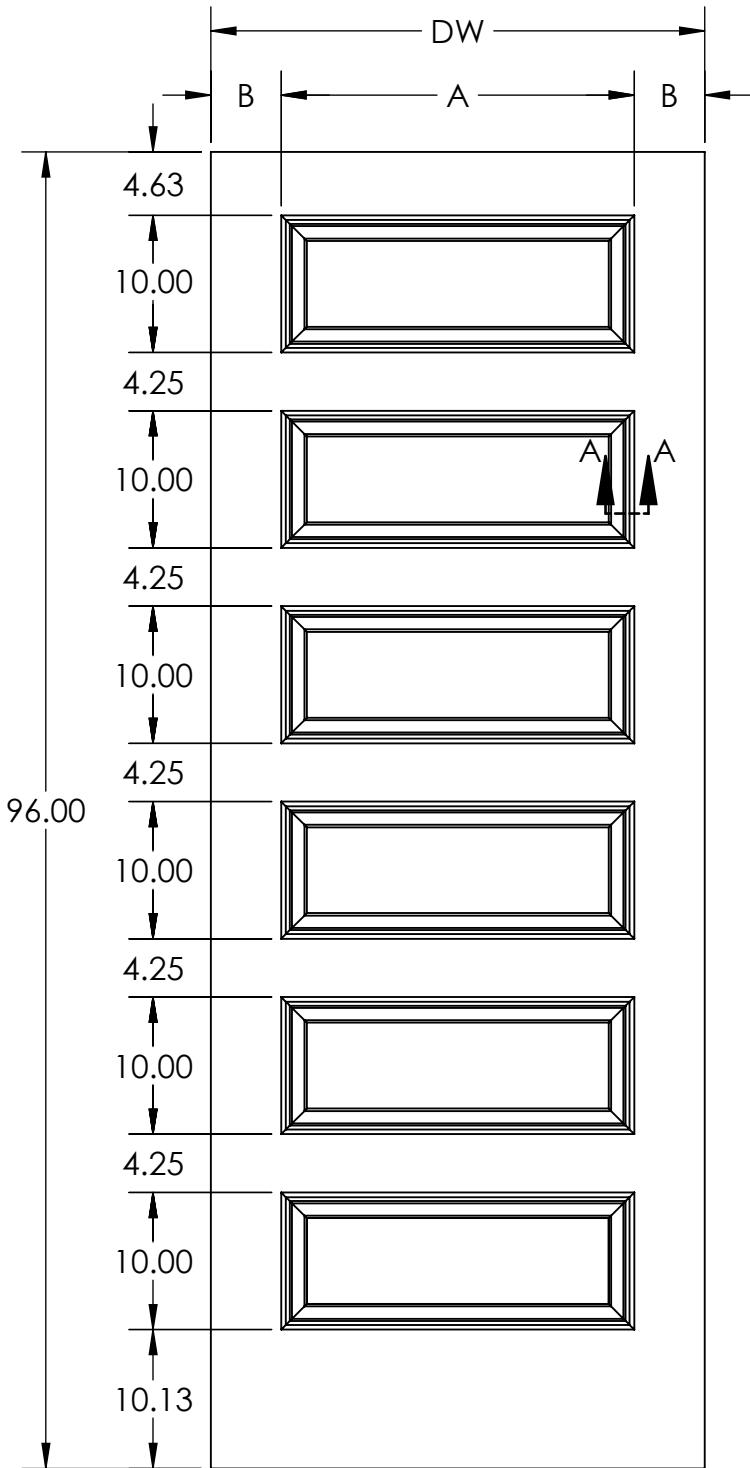
Molded Profile Door



DIMENSIONS ARE IN: Inches
 DOOR TOLERANCES
 WIDTH (FULL WIDTH): ±1/16
 WIDTH (PREFIT): ±1/32
 HEIGHT: ±1/16
 SQUARE: ±1/8

THE INFORMATION CONTAINED IN THIS DRAWING IS THE SOLE PROPERTY OF Lynden Door, Inc. ANY REPRODUCTION IN PART OR AS A WHOLE WITHOUT THE WRITTEN PERMISSION OF Lynden Door, Inc. IS PROHIBITED.

A04-00050.02/27/18



Benton 8'0"		
All dimensions nominal before prefit and bevel.		
DW	A	B
3-0	25.75	5.13
2-10	22.5	5.75
2-8	22.5	4.75
2-6	20.5	4.75
2-4	18.5	4.75
2-2	14.5	5.75
2-0	14.5	4.75
1-10	14.5	3.75
1-8	8.5	5.75
1-6	8.5	4.75
Bottom rail dimension complies with ADA requirements.		

Benton

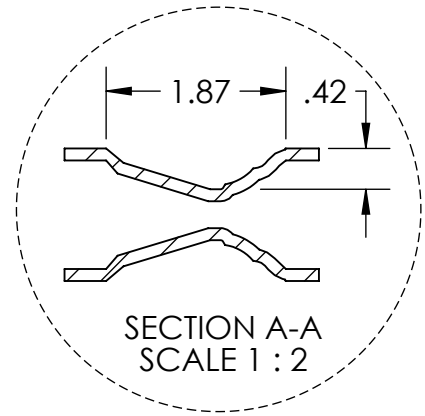
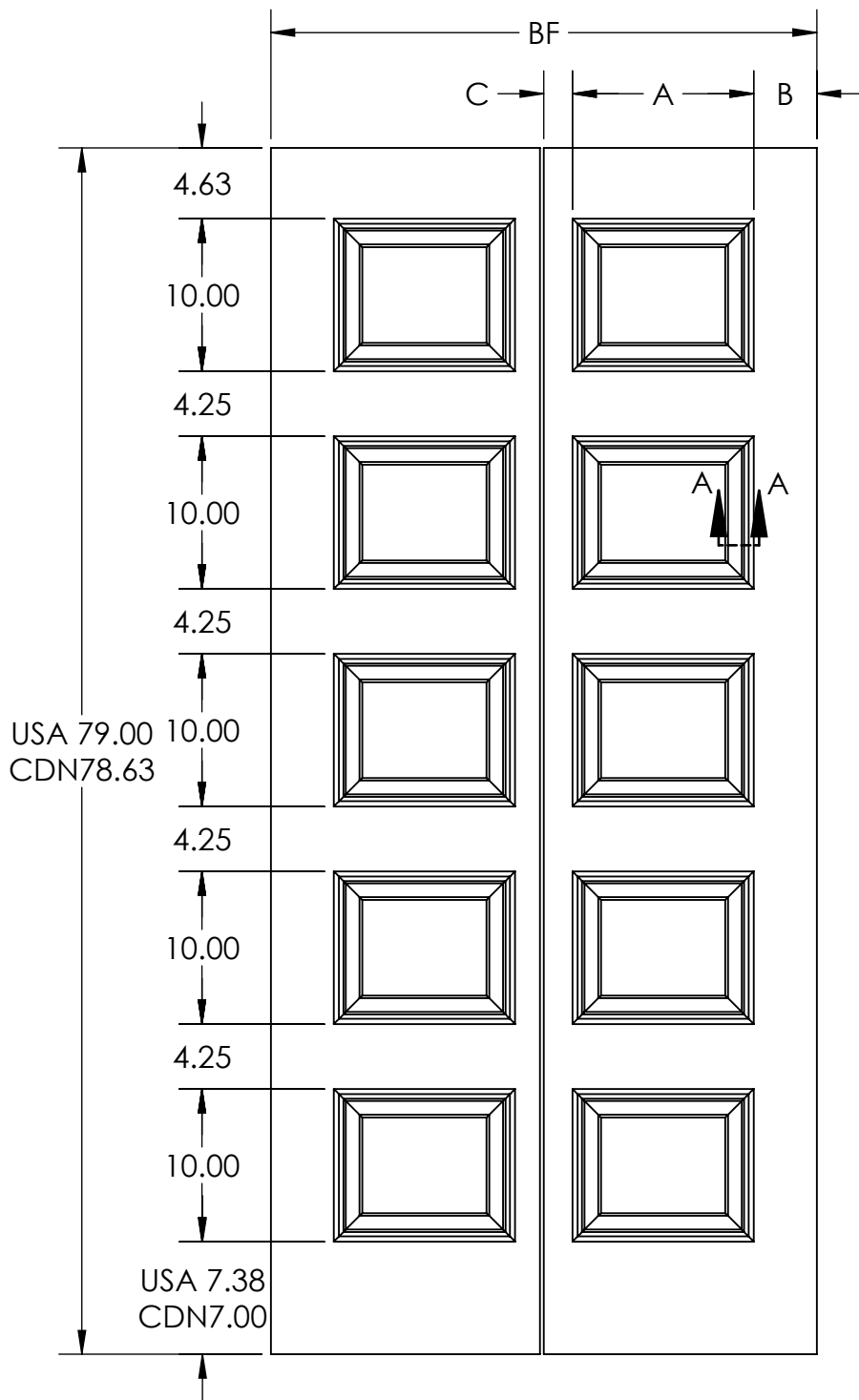
Molded Profile Door



DIMENSIONS ARE IN: Inches
 DOOR TOLERANCES
 WIDTH (FULL WIDTH): ±1/16
 WIDTH (PREFIT): ±1/32
 HEIGHT: ±1/16
 SQUARE: ±1/8

THE INFORMATION CONTAINED IN THIS DRAWING IS THE
 SOLE PROPERTY OF Lynden Door, Inc. ANY
 REPRODUCTION IN PART OR AS A WHOLE WITHOUT THE
 WRITTEN PERMISSION OF Lynden Door, Inc. IS PROHIBITED.

A04-00050.02/27/18



Benton Bifold 6'8"			
BF	A	B	C
3-0	11.88	4.12	1.88
2-8	11.88	2.12	1.88
2-6	8.88	4.12	1.88
2-4	8.88	3.12	1.88
2-0	5.88	4.12	1.88
1-8	5.88	2.12	1.88
1-6	5.88	1.63	1.37

Use of heavy duty hardware may require additional undercut. Lynden Door standard is 3/4"

Benton

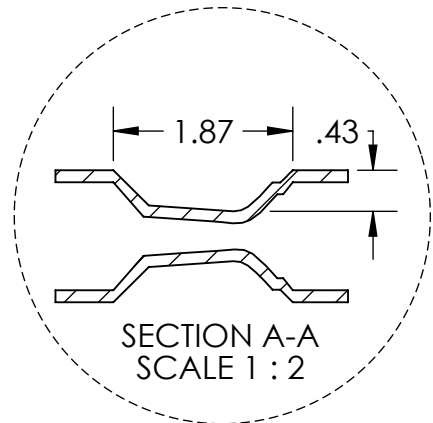
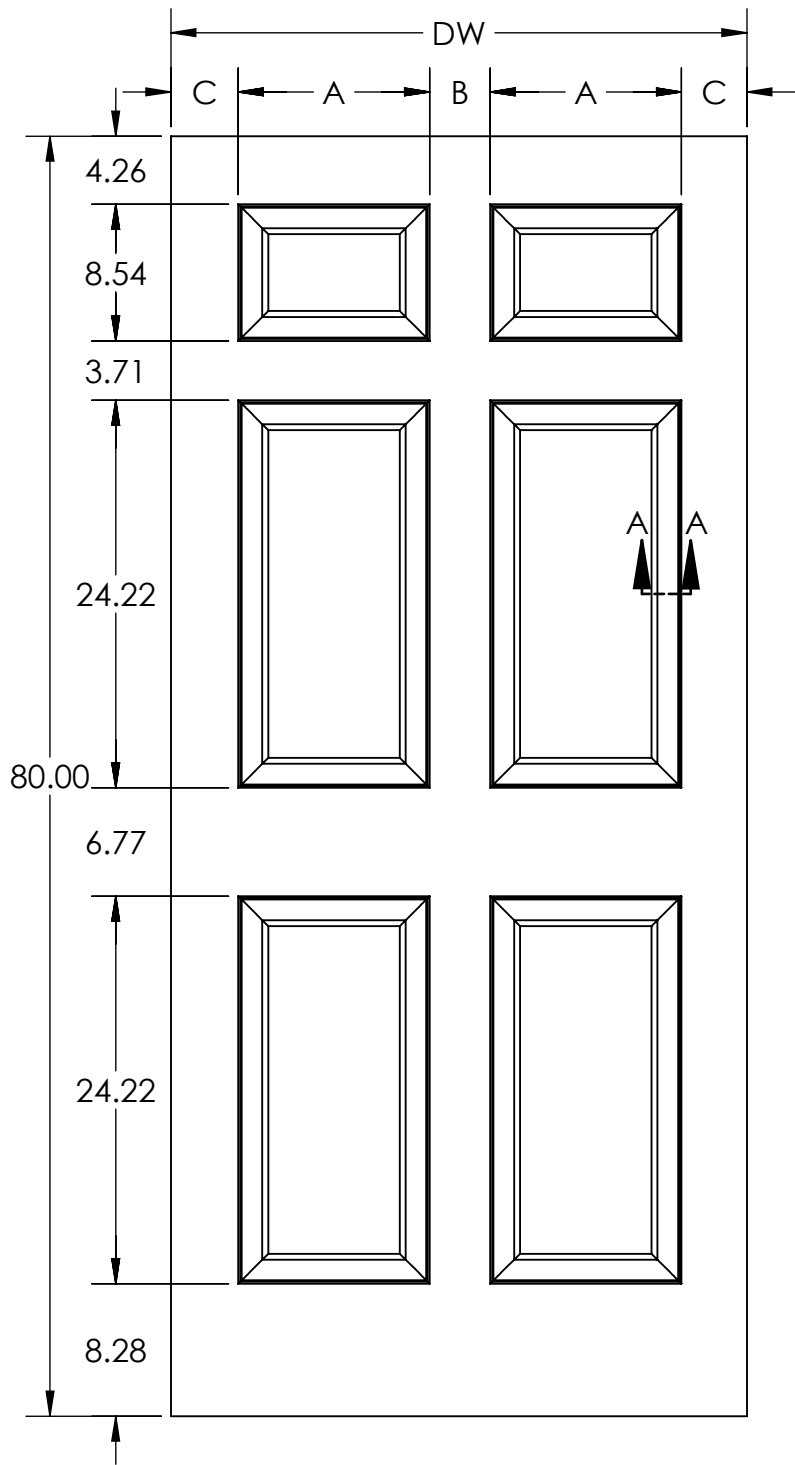
Molded Profile Bifold



DIMENSIONS ARE IN: Inches
DOOR TOLERANCES
WIDTH (FULL WIDTH): ±1/16
WIDTH (PREFIT): ±1/32
HEIGHT: ±1/16
SQUARE: ±1/8

THE INFORMATION CONTAINED IN THIS DRAWING IS THE SOLE PROPERTY OF Lynden Door, Inc. ANY REPRODUCTION IN PART OR AS A WHOLE WITHOUT THE WRITTEN PERMISSION OF Lynden Door, Inc. IS PROHIBITED.

A04-00050.02/27/18



Columbia 6'8"			
All dimensions nominal before prefit and bevel.			
DW	A	B	C
3-0	11.96	3.78	4.15
2-10	9.96	3.78	5.15
2-8	9.96	3.78	4.15
2-6	8.96	3.78	4.15
2-4	7.96	3.78	4.15
2-2	5.96	3.78	5.15
2-0	5.96	3.78	4.15
1-10	5.96	3.78	3.15
Bottom rail dimension does not comply with ADA requirements.			

Columbia (Smooth Colonist)

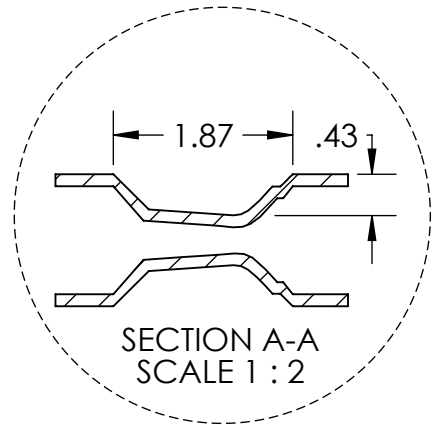
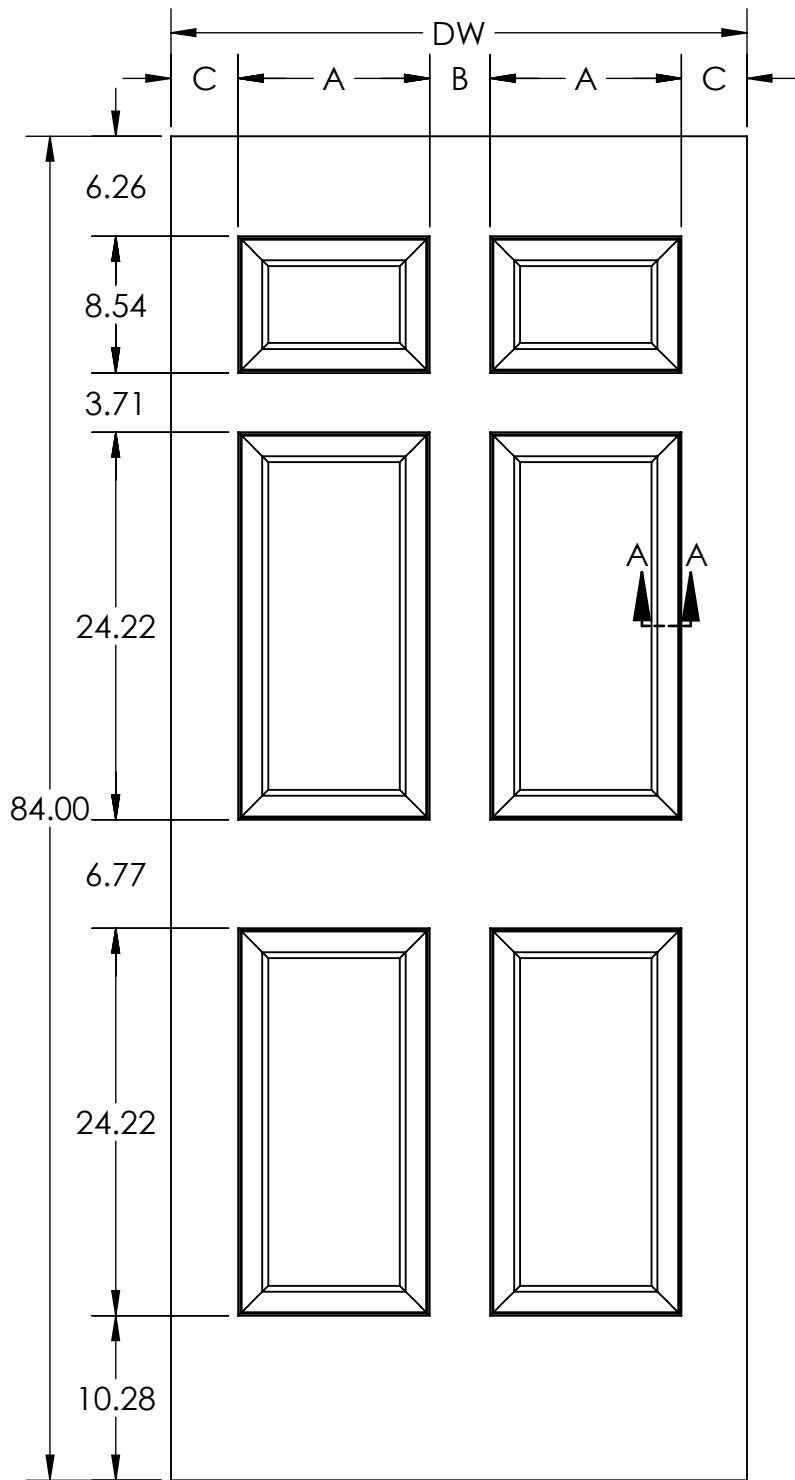
Molded Profile Door



DIMENSIONS ARE IN: Inches
 DOOR TOLERANCES
 WIDTH (FULL WIDTH): $\pm 1/16$
 WIDTH (PREFIT): $\pm 1/32$
 HEIGHT: $\pm 1/16$
 SQUARE: $\pm 1/8$

THE INFORMATION CONTAINED IN THIS DRAWING IS THE SOLE PROPERTY OF Lynden Door, Inc. ANY REPRODUCTION IN PART OR AS A WHOLE WITHOUT THE WRITTEN PERMISSION OF Lynden Door, Inc. IS PROHIBITED.

A04-00044 01/15/19



Columbia 7'0"			
All dimensions nominal before prefit and bevel.			
DW	A	B	C
3-0	11.96	3.78	4.15
2-10	9.96	3.78	5.15
2-8	9.96	3.78	4.15
2-6	8.96	3.78	4.15
2-4	7.96	3.78	4.15
2-2	5.96	3.78	5.15
2-0	5.96	3.78	4.15
1-10	5.96	3.78	3.15
Bottom rail dimension complies with ADA requirements.			

Columbia (Smooth Colonist)

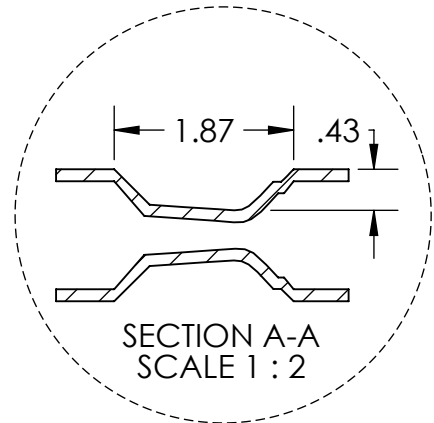
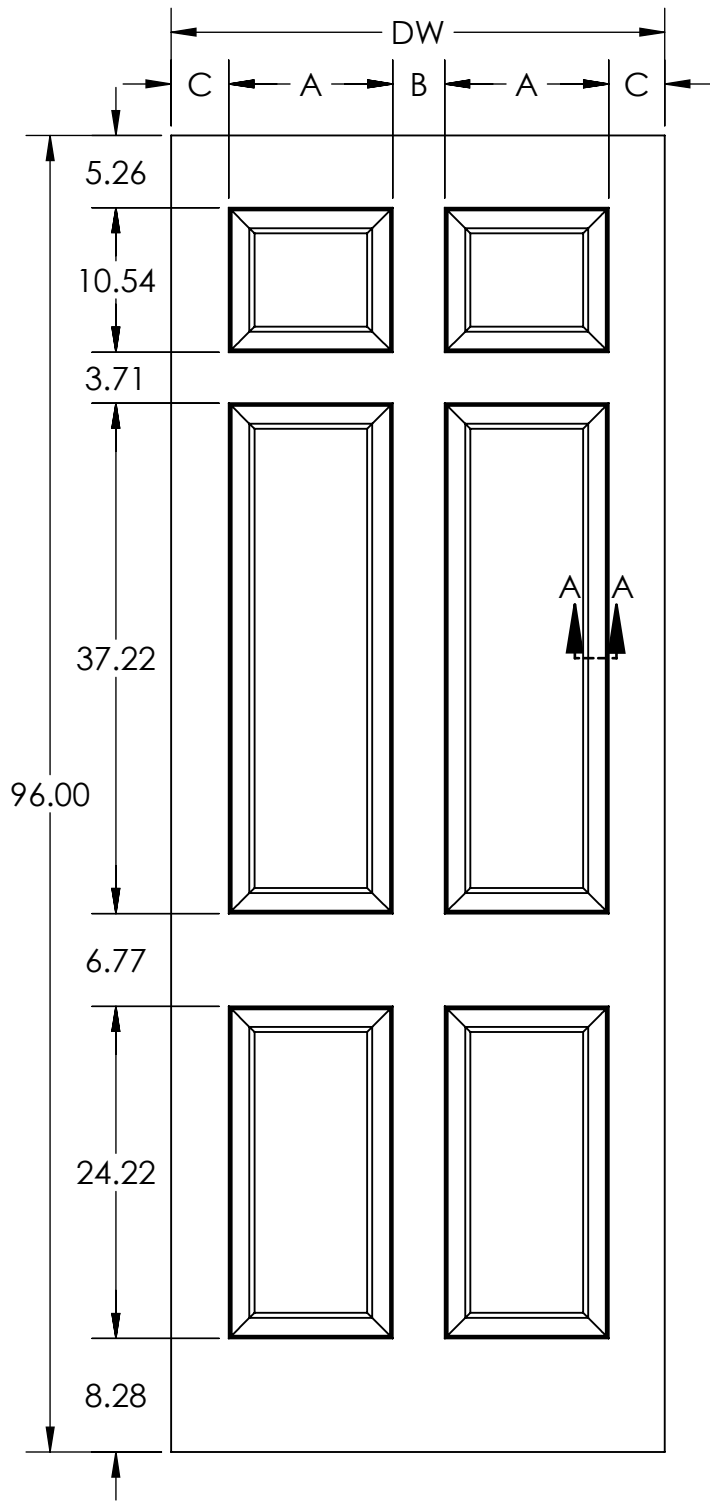
Molded Profile Door



DIMENSIONS ARE IN: Inches
 DOOR TOLERANCES
 WIDTH (FULL WIDTH): ±1/16
 WIDTH (PREFIT): ±1/32
 HEIGHT: ±1/16
 SQUARE: ±1/8

THE INFORMATION CONTAINED IN THIS DRAWING IS THE SOLE PROPERTY OF Lynden Door, Inc. ANY REPRODUCTION IN PART OR AS A WHOLE WITHOUT THE WRITTEN PERMISSION OF Lynden Door, Inc. IS PROHIBITED.

A04-00044 01/15/19



Columbia 8'0"			
All dimensions nominal before prefit and bevel.			
DW	A	B	C
3-0	11.96	3.78	4.15
2-10*	11.96	3.78	3.15
2-8	9.96	3.78	4.15
2-6	8.96	3.78	4.15
2-4	7.96	3.78	4.15
2-2*	7.96	3.78	3.15
2-0	5.96	3.78	4.15
1-10	5.96	3.78	3.15
Bottom rail dimension does not comply with ADA requirements.			
* Contact factory regarding availability of wider stile options.			

Columbia (Smooth Colonist)

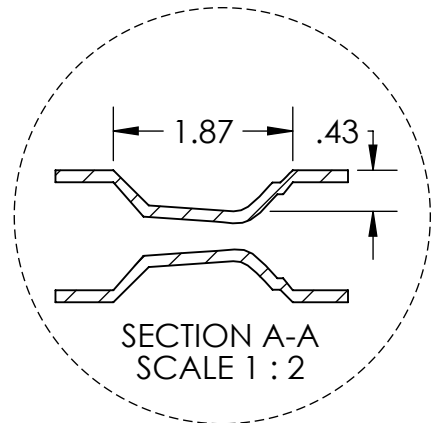
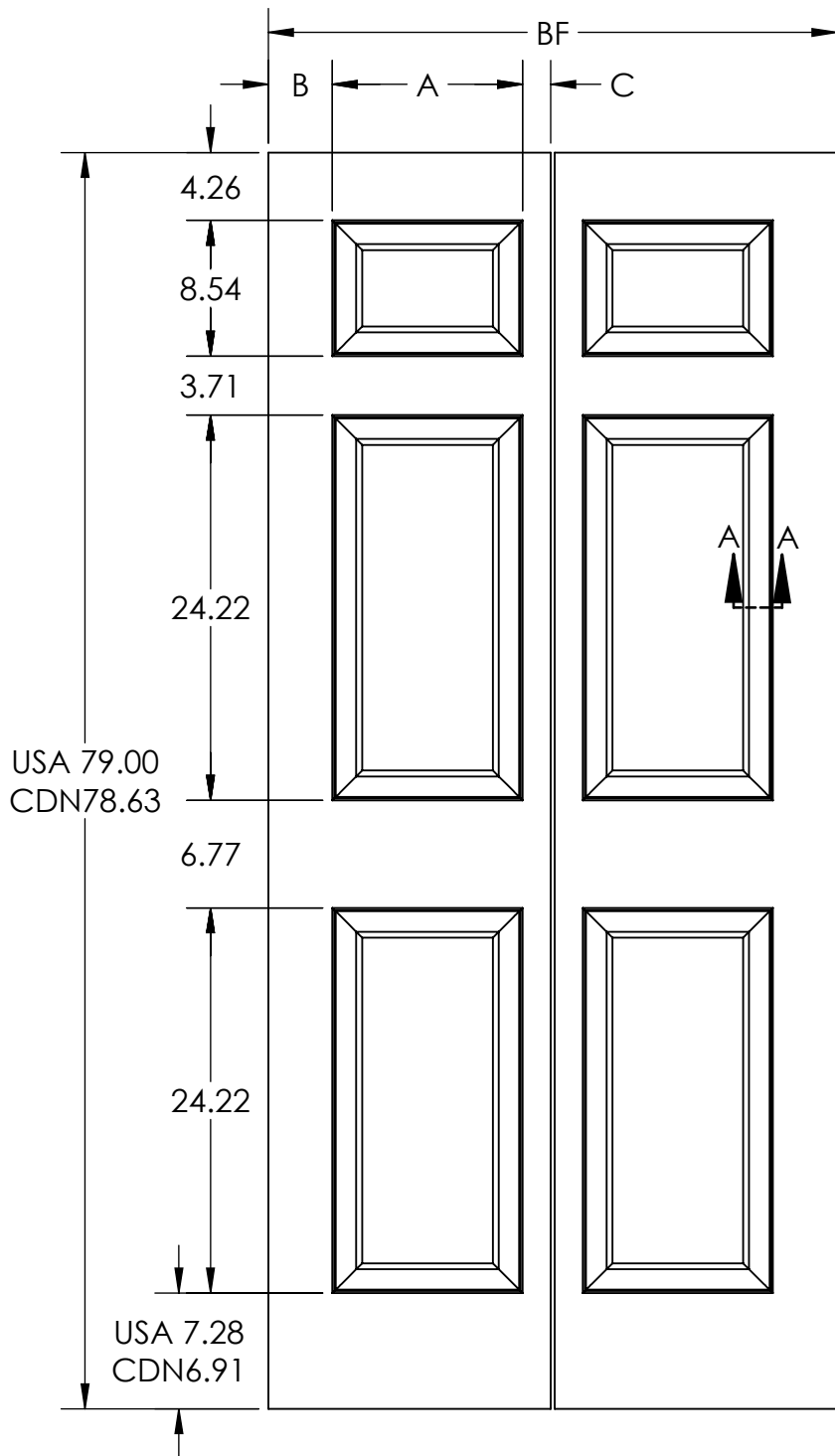
Molded Profile Door



DIMENSIONS ARE IN: inches
 DOOR TOLERANCES
 WIDTH (FULL WIDTH): ±1/16
 WIDTH (PREFIT): ±1/32
 HEIGHT: ±1/16
 SQUARE: ±1/8

THE INFORMATION CONTAINED IN THIS DRAWING IS THE SOLE PROPERTY OF Lynden Door, Inc. ANY REPRODUCTION IN PART OR AS A WHOLE WITHOUT THE WRITTEN PERMISSION OF Lynden Door, Inc. IS PROHIBITED.

A04-00044 01/15/19



Columbia Bifold 6'8"			
BF	A	B	C
3-0	11.96	4.02	1.77
2-8	9.96	4.02	1.77
2-6	8.96	4.02	1.77
2-4	7.96	4.02	1.77
2-0	5.96	4.02	1.77
1-8	5.96	2.02	1.77
1-6	5.96	1.77	1.02

Use of heavy duty hardware may require additional undercut. Lynden Door standard is 3/4"

Columbia (Smooth Colonist)

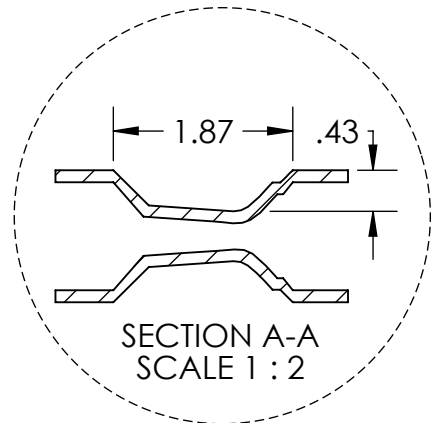
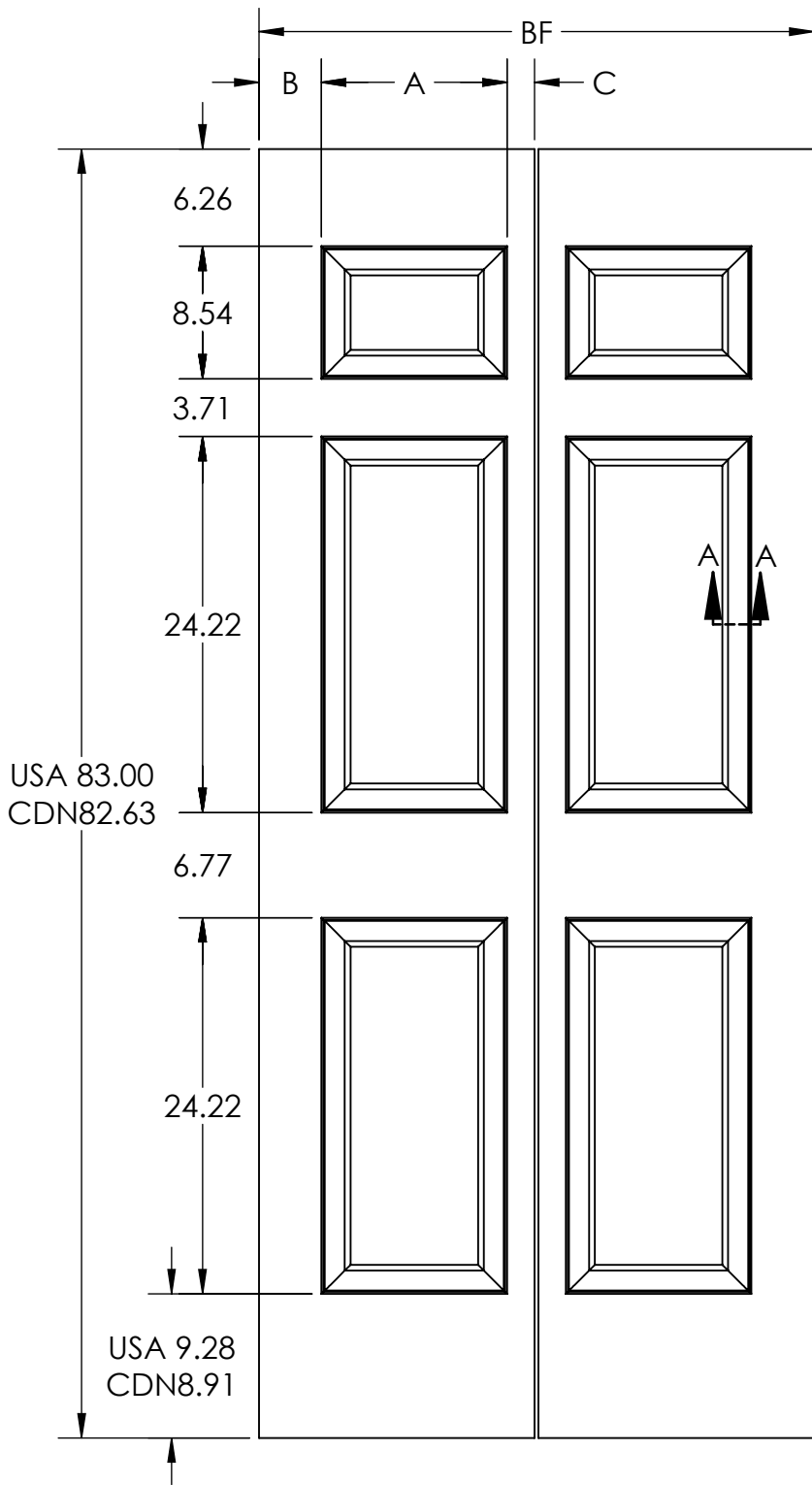
Molded Profile Bifold



DIMENSIONS ARE IN: Inches
 DOOR TOLERANCES
 WIDTH (FULL WIDTH): ±1/16
 WIDTH (PREFIT): ±1/32
 HEIGHT: ±1/16
 SQUARE: ±1/8

THE INFORMATION CONTAINED IN THIS DRAWING IS THE SOLE PROPERTY OF Lynden Door, Inc. ANY REPRODUCTION IN PART OR AS A WHOLE WITHOUT THE WRITTEN PERMISSION OF Lynden Door, Inc. IS PROHIBITED.

A04-00044 01/15/19



Columbia Bifold 7'0"			
BF	A	B	C
3-0	11.96	4.02	1.77
2-8	9.96	4.02	1.77
2-6	8.96	4.02	1.77
2-4	7.96	4.02	1.77
2-0	5.96	4.02	1.77
1-8	5.96	2.02	1.77
1-6	5.96	1.77	1.02

Use of heavy duty hardware may require additional undercut. Lynden Door standard is 3/4"

Columbia (Smooth Colonist)

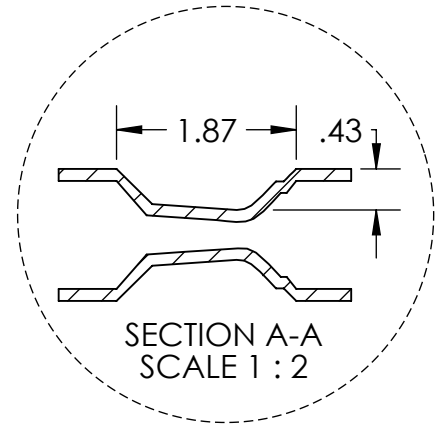
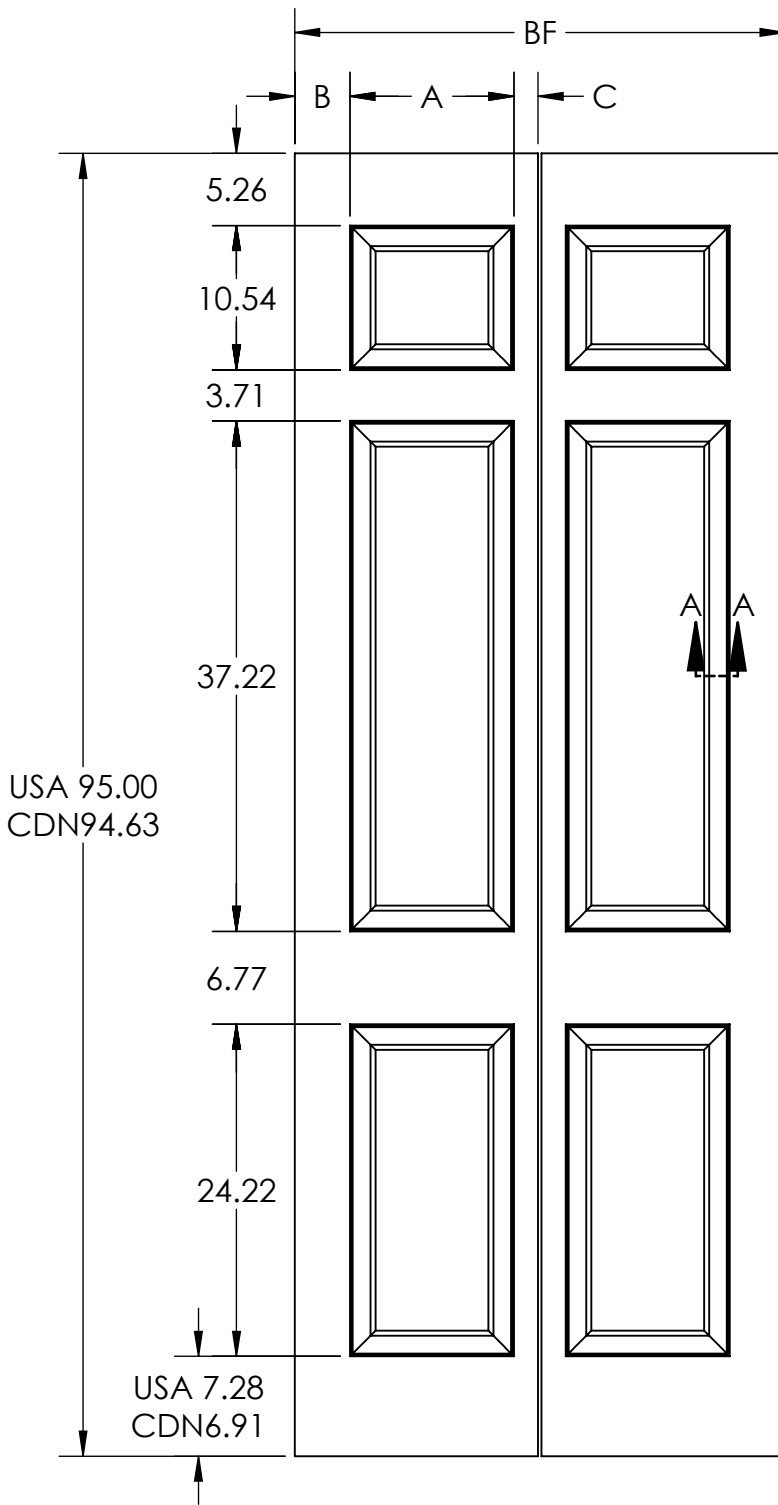
Molded Profile Bifold



DIMENSIONS ARE IN: Inches
 DOOR TOLERANCES
 WIDTH (FULL WIDTH): ±1/16
 WIDTH (PREFIT): ±1/32
 HEIGHT: ±1/16
 SQUARE: ±1/8

THE INFORMATION CONTAINED IN THIS DRAWING IS THE SOLE PROPERTY OF Lynden Door, Inc. ANY REPRODUCTION IN PART OR AS A WHOLE WITHOUT THE WRITTEN PERMISSION OF Lynden Door, Inc. IS PROHIBITED.

A04-00044 01/15/19



Columbia Bifold 8'0"			
BF	A	B	C
3-0	11.96	4.02	1.77
2-8	9.96	4.02	1.77
2-6	8.96	4.02	1.77
2-4	7.96	4.02	1.77
2-0	5.96	4.02	1.77
1-8	5.96	2.02	1.77
1-6	5.96	1.77	1.02

Use of heavy duty hardware may require additional undercut. Lynden Door standard is 3/4"

Columbia (Smooth Colonist)

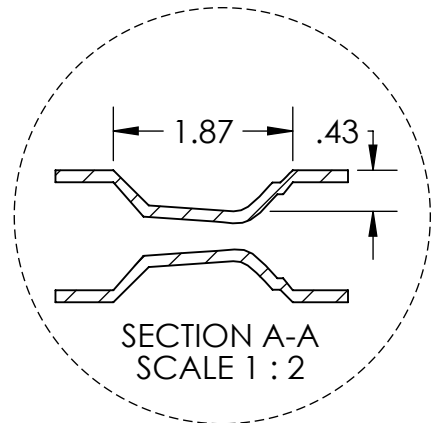
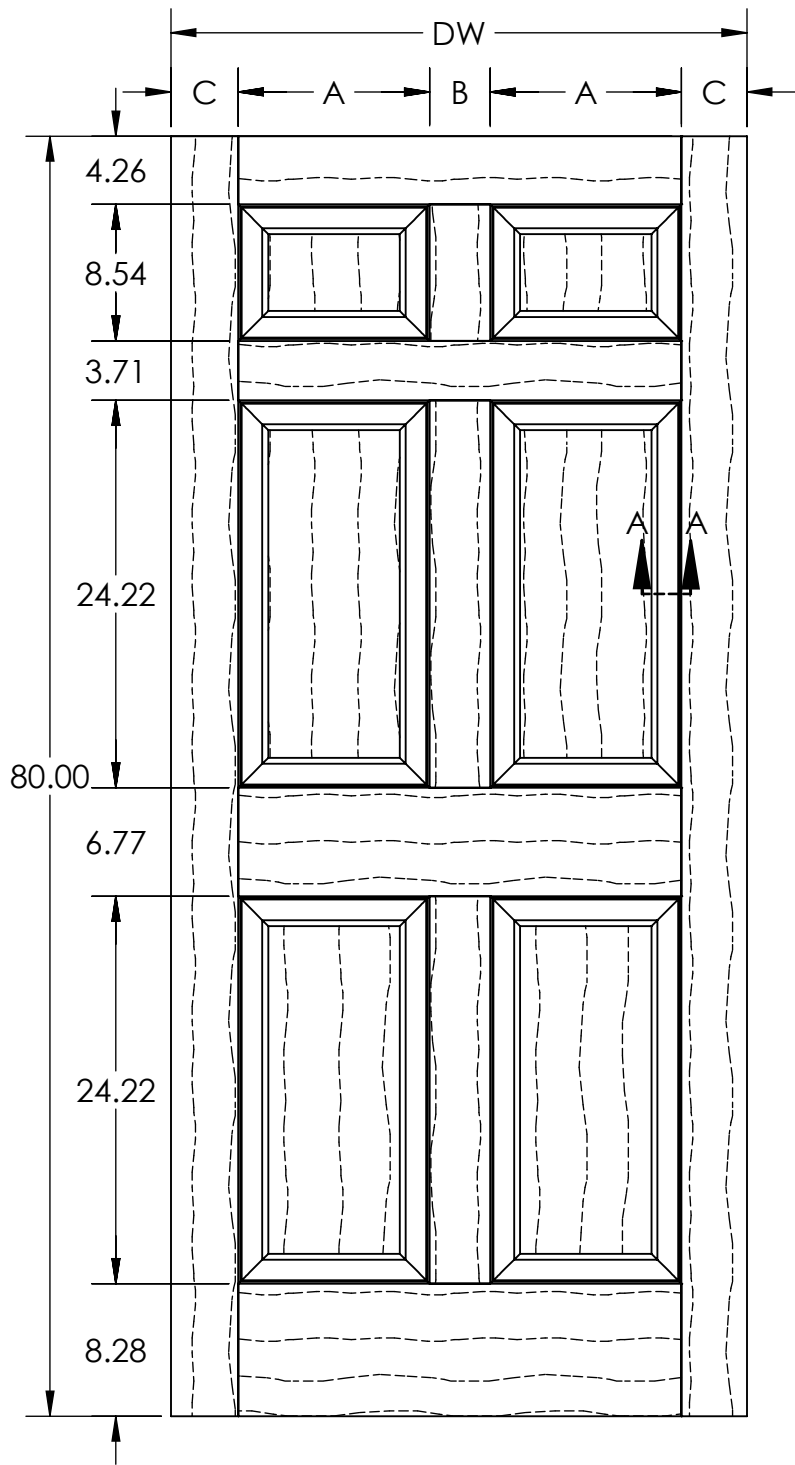
Molded Profile Bifold



DIMENSIONS ARE IN: inches
DOOR TOLERANCES
WIDTH (FULL WIDTH): ±1/16
WIDTH (PREFIT): ±1/32
HEIGHT: ±1/16
SQUARE: ±1/8

THE INFORMATION CONTAINED IN THIS DRAWING IS THE SOLE PROPERTY OF Lynden Door, Inc. ANY REPRODUCTION IN PART OR AS A WHOLE WITHOUT THE WRITTEN PERMISSION OF Lynden Door, Inc. IS PROHIBITED.

A04-00044 01/15/19



Bonneville 6'8"			
All dimensions nominal before prefit and bevel.			
DW	A	B	C
3-0	11.96	3.78	4.15
2-10	9.96	3.78	5.15
2-8	9.96	3.78	4.15
2-6	8.96	3.78	4.15
2-4	7.96	3.78	4.15
2-2	5.96	3.78	5.15
2-0	5.96	3.78	4.15
1-10	5.96	3.78	3.15
Bottom rail dimension does not comply with ADA requirements.			

Bonneville (Textured Colonist)

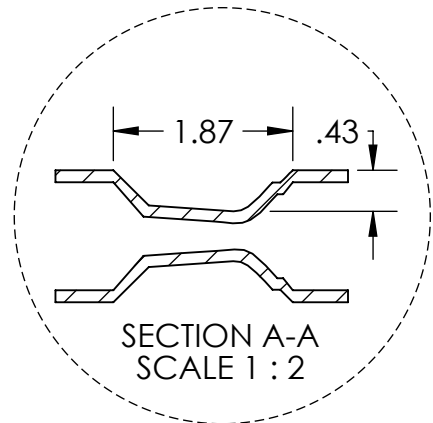
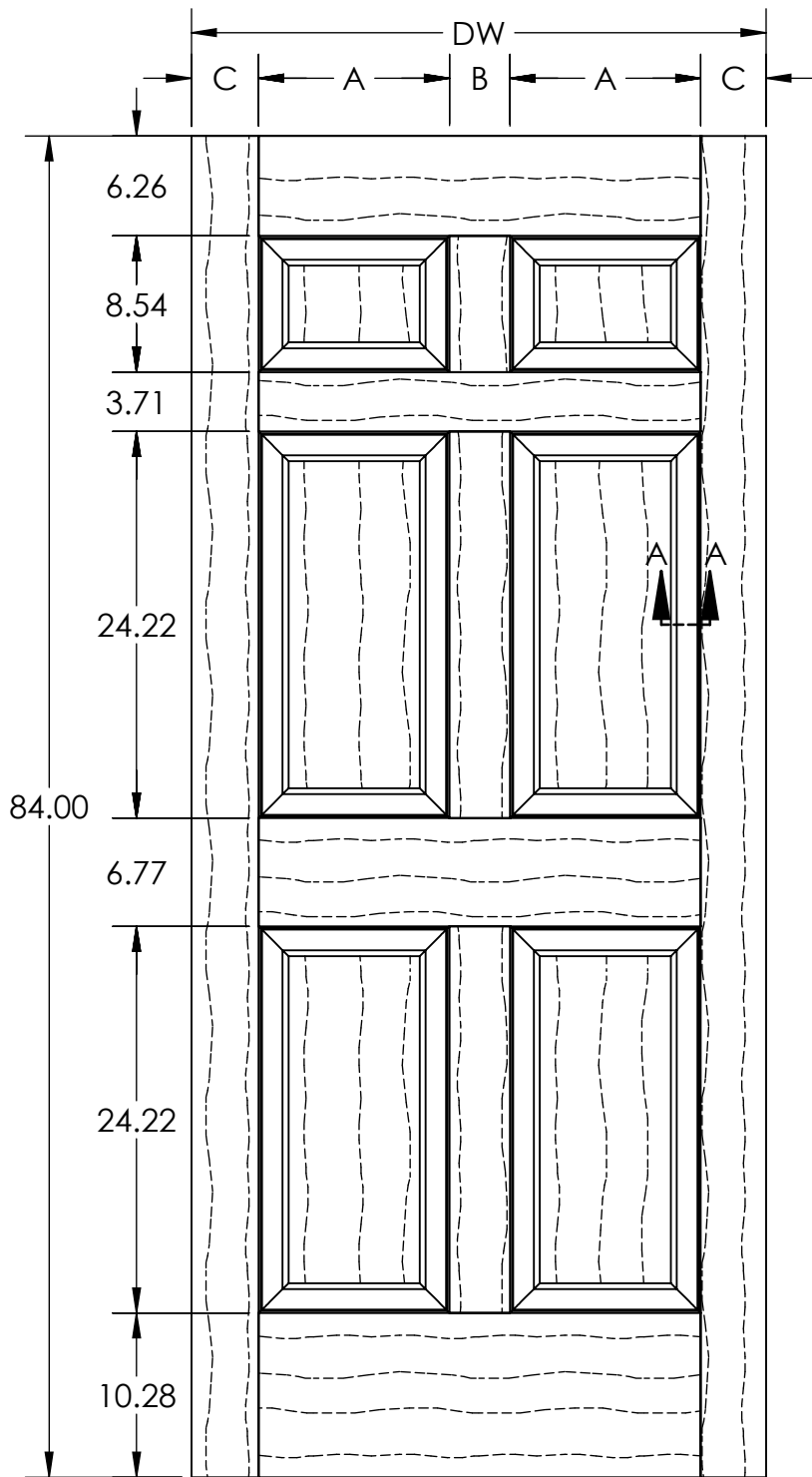
Molded Profile Door



DIMENSIONS ARE IN: inches
 DOOR TOLERANCES
 WIDTH (FULL WIDTH): ±1/16
 WIDTH (PREFIT): ±1/32
 HEIGHT: ±1/16
 SQUARE: ±1/8

THE INFORMATION CONTAINED IN THIS DRAWING IS THE SOLE PROPERTY OF Lynden Door, Inc. ANY REPRODUCTION IN PART OR AS A WHOLE WITHOUT THE WRITTEN PERMISSION OF Lynden Door, Inc. IS PROHIBITED.

A04-00044 01/15/19



Bonneville 7'0"			
All dimensions nominal before prefit and bevel.			
DW	A	B	C
3-0	11.96	3.78	4.15
2-10	9.96	3.78	5.15
2-8	9.96	3.78	4.15
2-6	8.96	3.78	4.15
2-4	7.96	3.78	4.15
2-2*	7.96	3.78	4.15
2-0	5.96	3.78	4.15
1-10	5.96	3.78	3.15
Bottom rail dimension complies with ADA requirements.			
* Contact factory regarding availability of wider stile options.			

Bonneville (Textured Colonist)

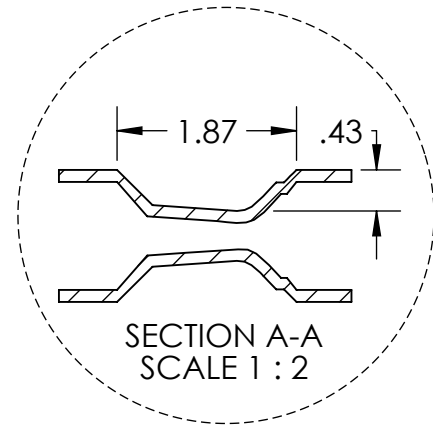
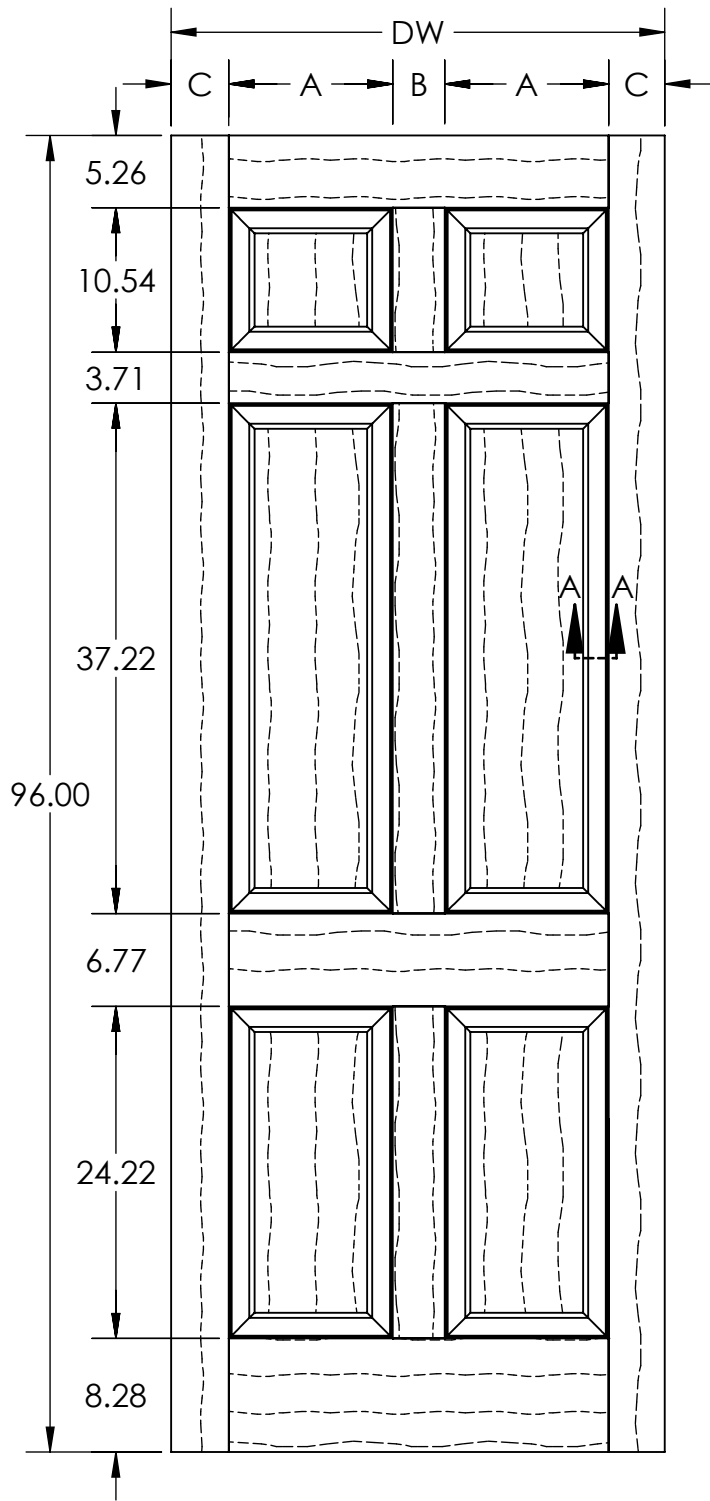
Molded Profile Door



DIMENSIONS ARE IN: inches
 DOOR TOLERANCES
 WIDTH (FULL WIDTH): ±1/16
 WIDTH (PREFIT): ±1/32
 HEIGHT: ±1/16
 SQUARE: ±1/8

THE INFORMATION CONTAINED IN THIS DRAWING IS THE SOLE PROPERTY OF Lynden Door, Inc. ANY REPRODUCTION IN PART OR AS A WHOLE WITHOUT THE WRITTEN PERMISSION OF Lynden Door, Inc. IS PROHIBITED.

A04-00044 01/15/19



Bonneville 8'0"			
All dimensions nominal before prefit and bevel.			
DW	A	B	C
3-0	11.96	3.78	4.15
2-10*	11.96	3.78	3.15
2-8	9.96	3.78	4.15
2-6	8.96	3.78	4.15
2-4	7.96	3.78	4.15
2-2*	7.96	3.78	3.15
2-0	5.96	3.78	4.15
1-10	5.96	3.78	3.15
Bottom rail dimension does not comply with ADA requirements.			
* Contact factory regarding availability of wider stile options.			

Bonneville (Textured Colonist)

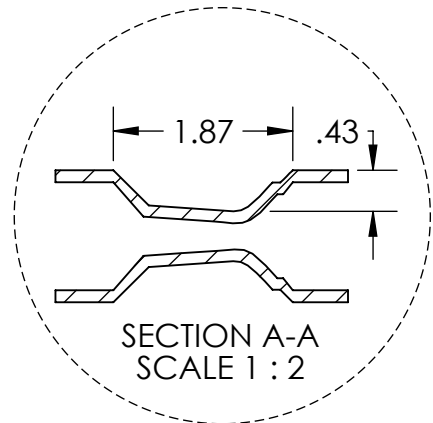
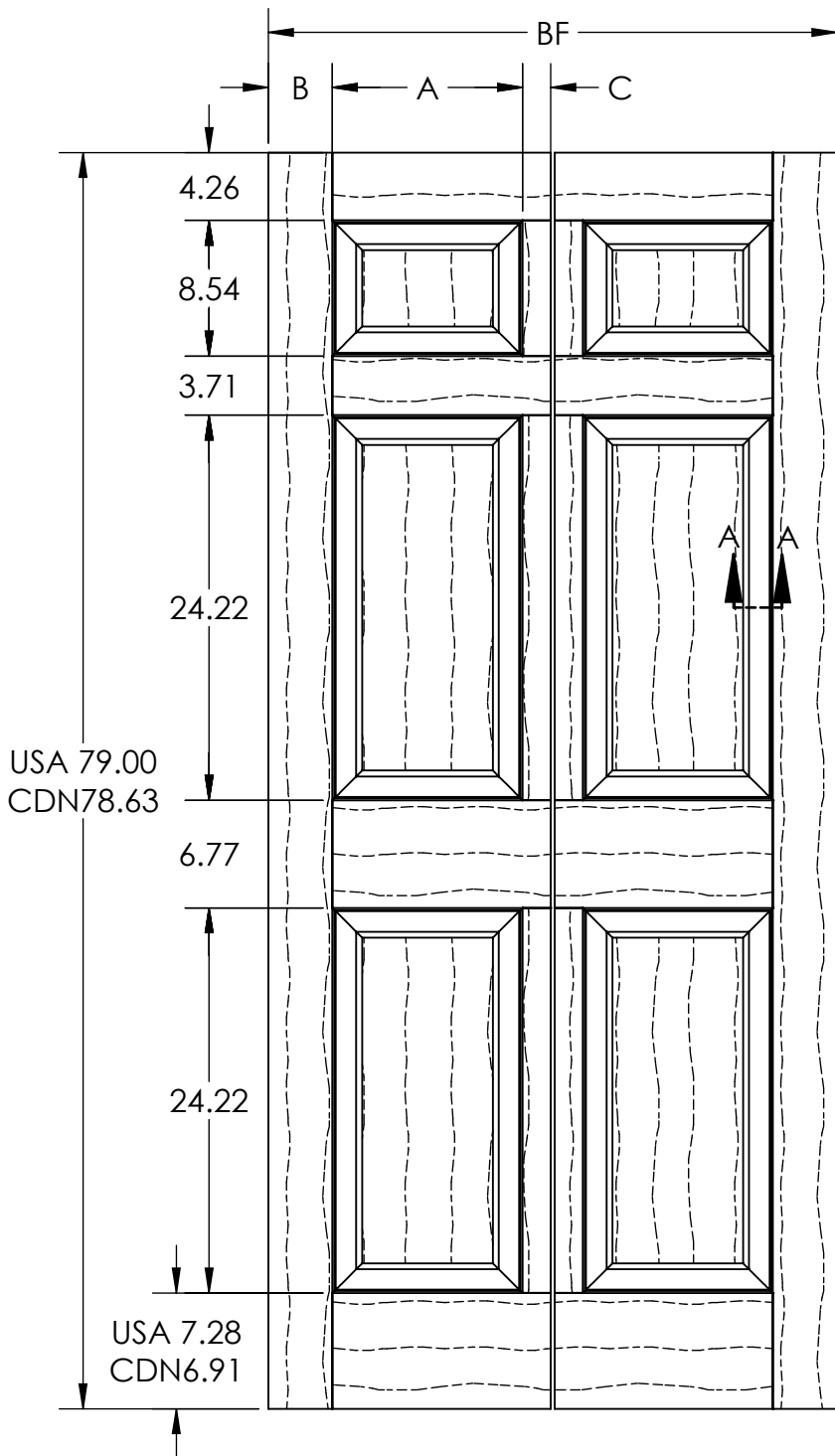
Molded Profile Door



DIMENSIONS ARE IN: inches
 DOOR TOLERANCES
 WIDTH (FULL WIDTH): ±1/16
 WIDTH (PREFIT): ±1/32
 HEIGHT: ±1/16
 SQUARE: ±1/8

THE INFORMATION CONTAINED IN THIS DRAWING IS THE SOLE PROPERTY OF Lynden Door, Inc. ANY REPRODUCTION IN PART OR AS A WHOLE WITHOUT THE WRITTEN PERMISSION OF Lynden Door, Inc. IS PROHIBITED.

A04-00044 01/15/19



Bonneville Bifold 6'8"			
BF	A	B	C
3-0	11.96	4.02	1.77
2-8	9.96	4.02	1.77
2-6	8.96	4.02	1.77
2-4	7.96	4.02	1.77
2-0	5.96	4.02	1.77
1-8	5.96	2.02	1.77
1-6	4.81	2.91	1.03

Use of heavy duty hardware may require additional undercut. Lynden Door standard is 3/4"

Bonneville (Textured Colonist)

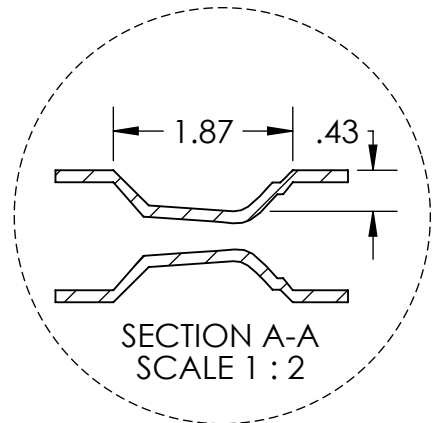
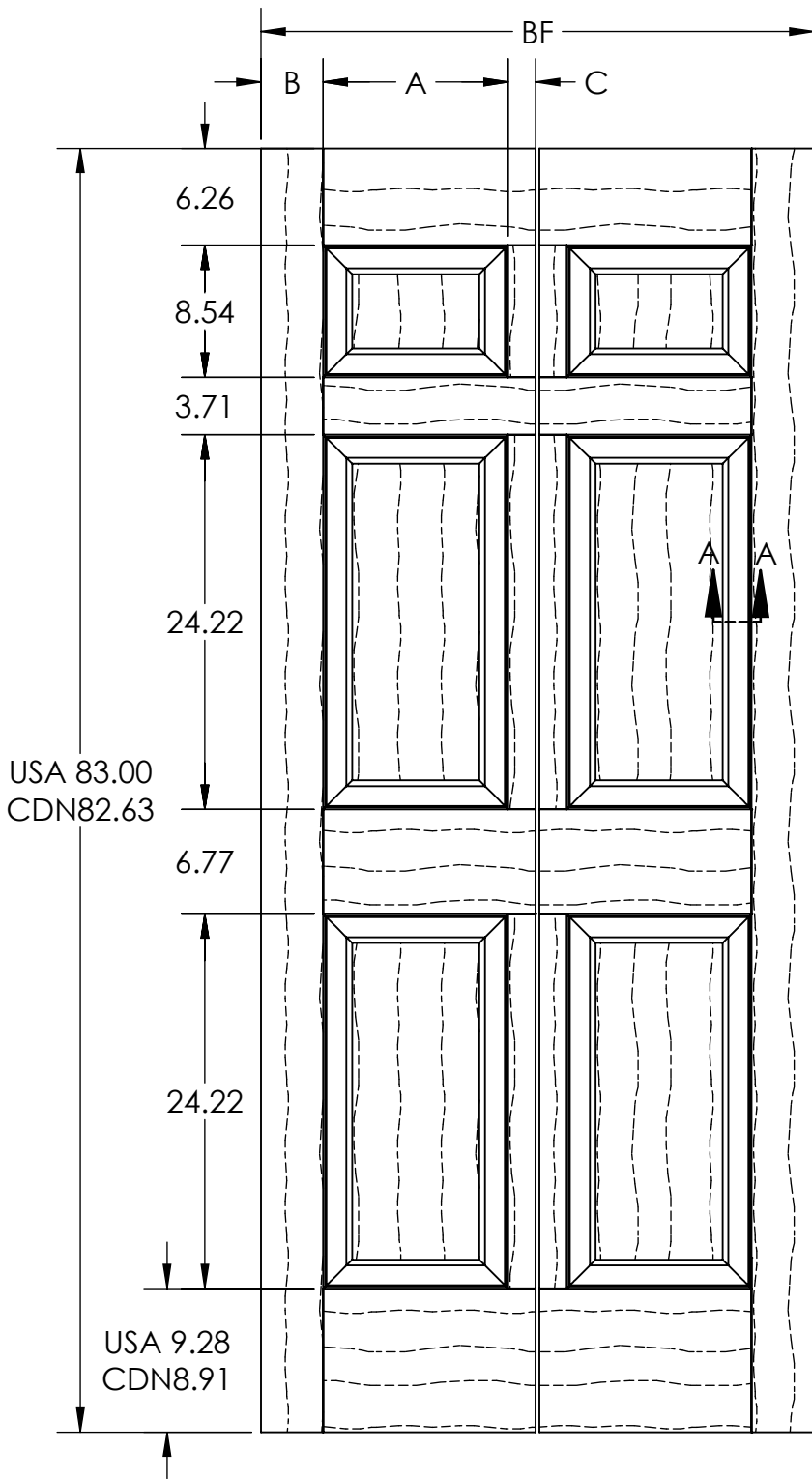
Molded Profile Bifold



DIMENSIONS ARE IN: inches
 DOOR TOLERANCES
 WIDTH (FULL WIDTH): ±1/16
 WIDTH (PREFIT): ±1/32
 HEIGHT: ±1/16
 SQUARE: ±1/8

THE INFORMATION CONTAINED IN THIS DRAWING IS THE SOLE PROPERTY OF Lynden Door, Inc. ANY REPRODUCTION IN PART OR AS A WHOLE WITHOUT THE WRITTEN PERMISSION OF Lynden Door, Inc. IS PROHIBITED.

A04-00044 01/15/19



Bonneville Bifold 7'0"			
BF	A	B	C
3-0	11.96	4.02	1.77
2-8	9.96	4.02	1.77
2-6	8.96	4.02	1.77
2-4	7.96	4.02	1.77
2-0	5.96	4.02	1.77
1-8	5.96	2.02	1.77
1-6	5.96	1.77	1.02

Use of heavy duty hardware may require additional undercut. Lynden Door standard is 3/4"

Bonneville (Textured Colonist)

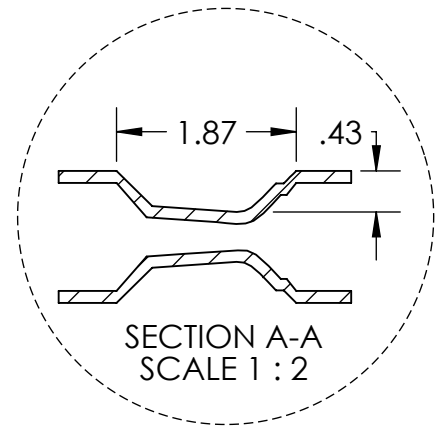
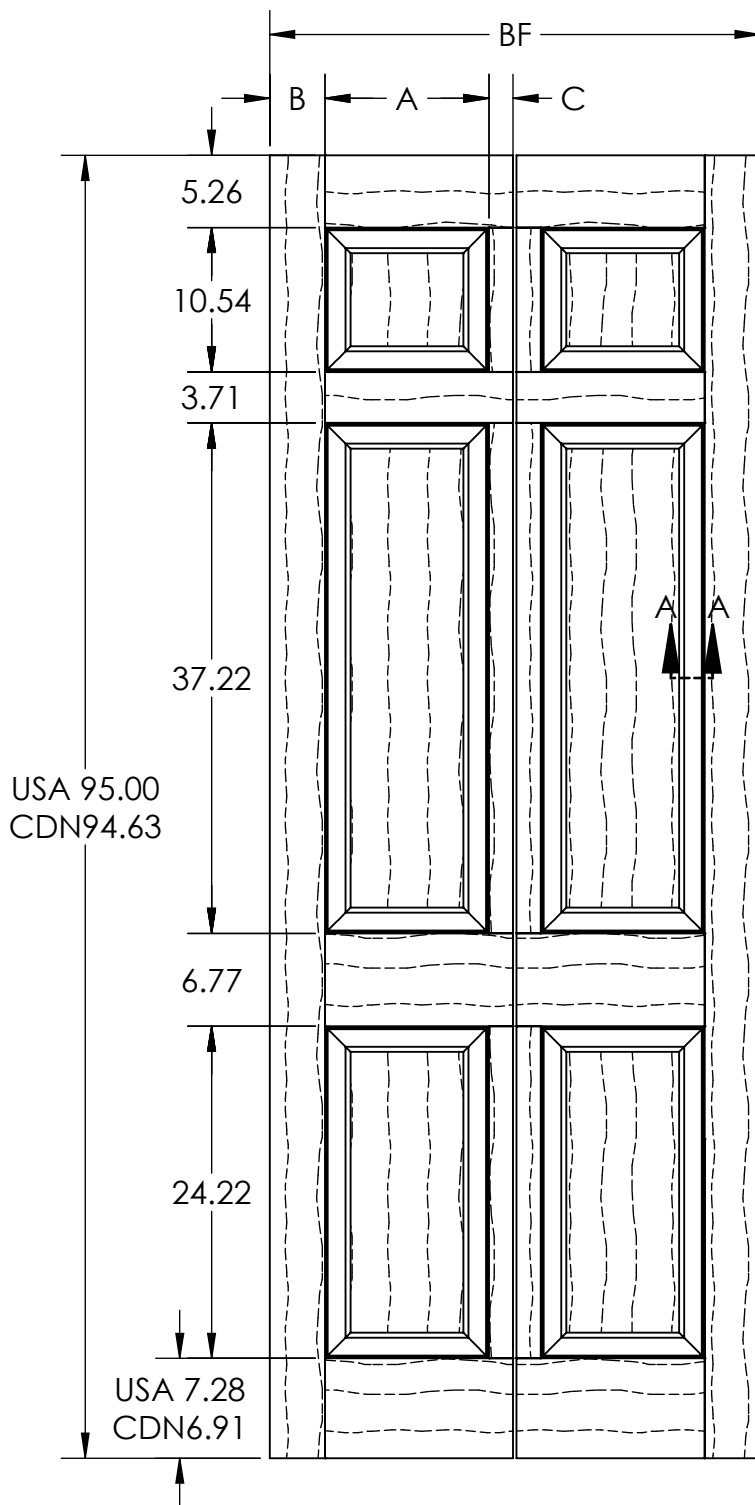
Molded Profile Bifold



DIMENSIONS ARE IN: Inches
 DOOR TOLERANCES
 WIDTH (FULL WIDTH): ±1/16
 WIDTH (PREFIT): ±1/32
 HEIGHT: ±1/16
 SQUARE: ±1/8

THE INFORMATION CONTAINED IN THIS DRAWING IS THE SOLE PROPERTY OF Lynden Door, Inc. ANY REPRODUCTION IN PART OR AS A WHOLE WITHOUT THE WRITTEN PERMISSION OF Lynden Door, Inc. IS PROHIBITED.

A04-00044 01/15/19



Bonneville Bifold 8'0"

BF	A	B	C
3-0	11.96	4.02	1.77
2-8	9.96	4.02	1.77
2-6	8.96	4.02	1.77
2-4	7.96	4.02	1.77
2-0	5.96	4.02	1.77
1-8	5.96	2.02	1.77
1-6	5.96	1.77	1.02

Use of heavy duty hardware may require additional undercut. Lynden Door standard is 3/4"

Bonneville (Textured Colonist)

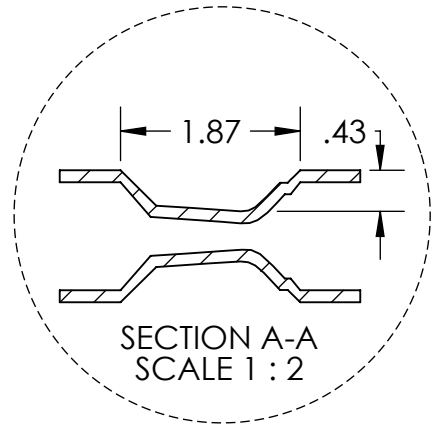
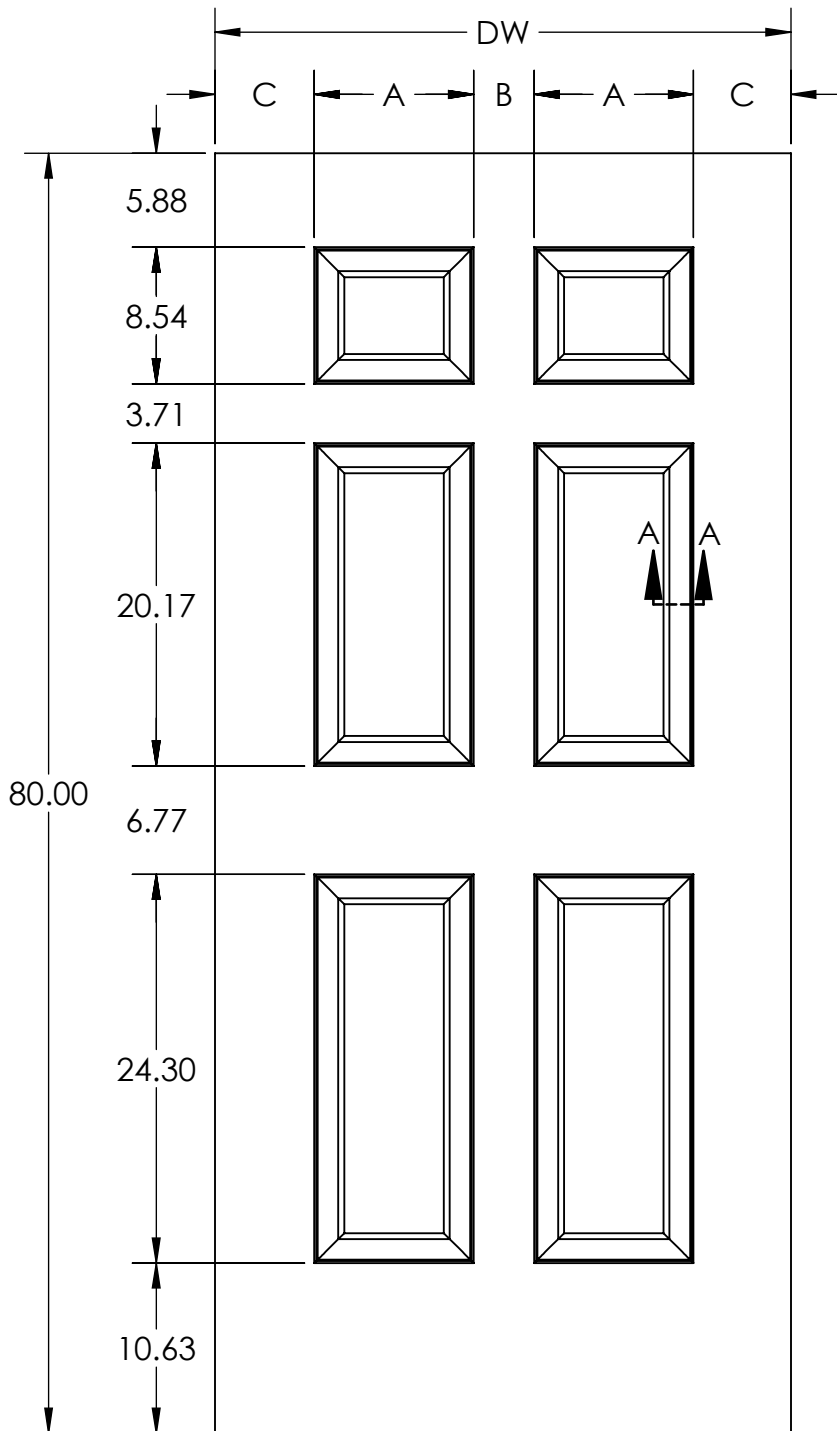
Molded Profile Bifold



DIMENSIONS ARE IN: inches
DOOR TOLERANCES
WIDTH (FULL WIDTH): ±1/16
WIDTH (PREFIT): ±1/32
HEIGHT: ±1/16
SQUARE: ±1/8

THE INFORMATION CONTAINED IN THIS DRAWING IS THE SOLE PROPERTY OF Lynden Door, Inc. ANY REPRODUCTION IN PART OR AS A WHOLE WITHOUT THE WRITTEN PERMISSION OF Lynden Door, Inc. IS PROHIBITED.

A04-00044 01/15/19



Cameron 6'8"			
All dimensions nominal before profit and bevel.			
DW	A	B	C
3-0	9.96	3.78	6.21
Bottom rail dimension complies with ADA requirements.			

Cameron (Commercial Colonist)

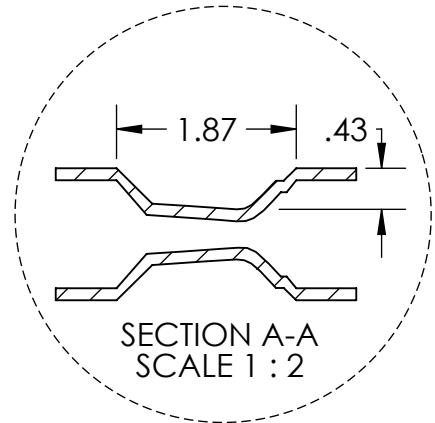
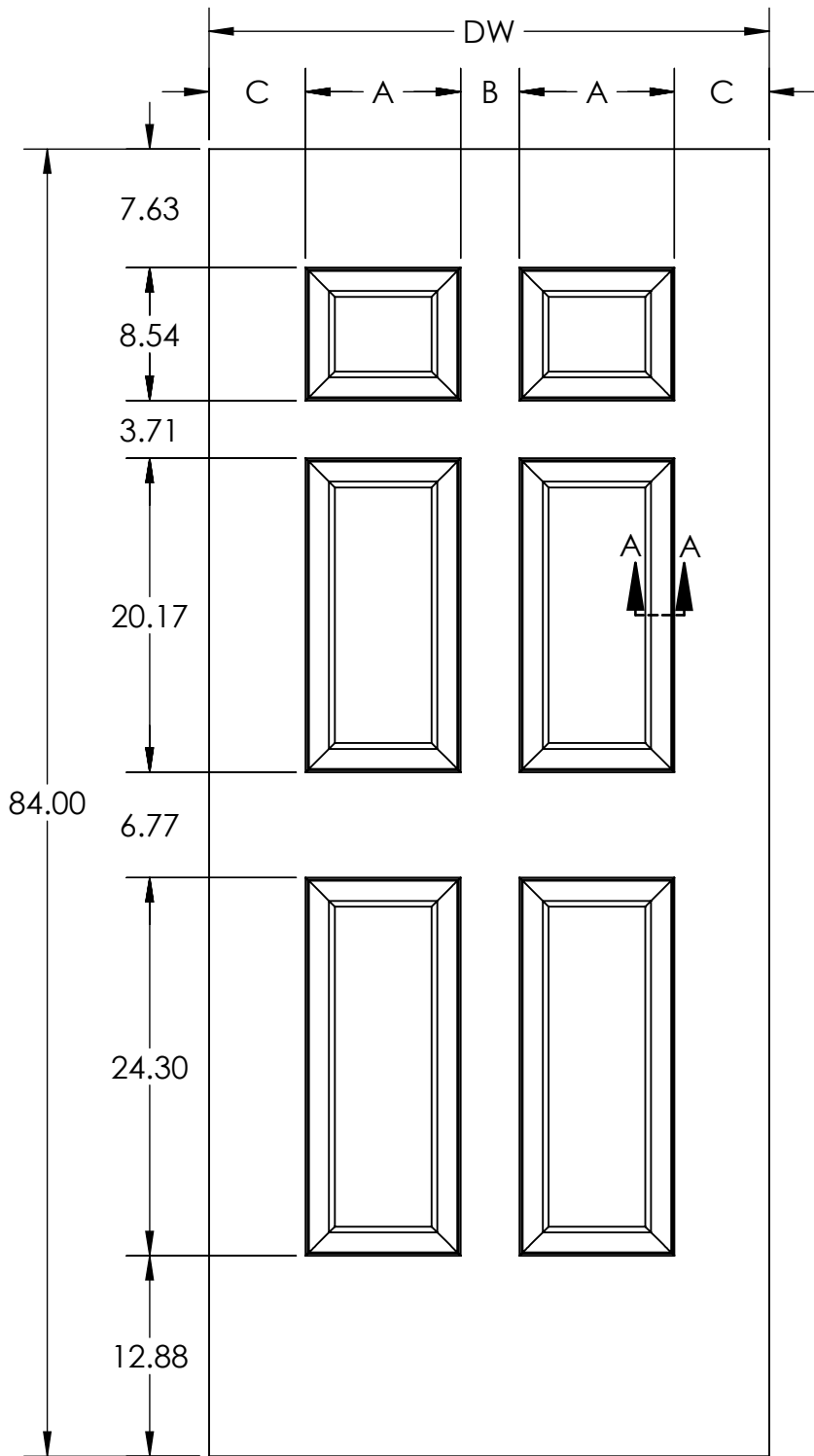
Molded Profile Door



DIMENSIONS ARE IN: Inches
DOOR TOLERANCES
WIDTH (FULL WIDTH): ±1/16
WIDTH (PREFIT): ±1/32
HEIGHT: ±1/16
SQUARE: ±1/8

THE INFORMATION CONTAINED IN THIS DRAWING IS THE
SOLE PROPERTY OF Lynden Door, Inc. ANY
REPRODUCTION IN PART OR AS A WHOLE WITHOUT THE
WRITTEN PERMISSION OF Lynden Door, Inc. IS PROHIBITED.

A04-00044 01/15/19



Cameron 7'0"			
All dimensions nominal before profit and bevel.			
DW	A	B	C
3-0	9.96	3.78	6.21
Bottom rail dimension complies with ADA requirements.			

Cameron (Commercial Colonist)

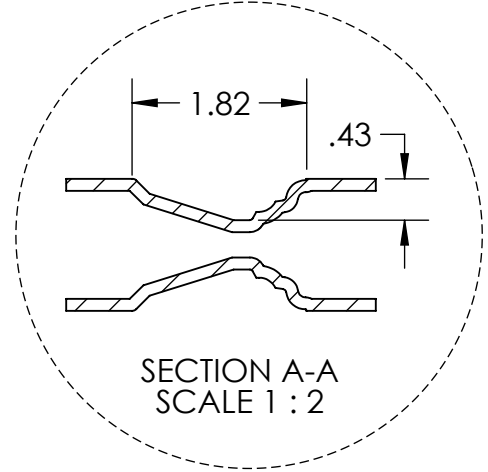
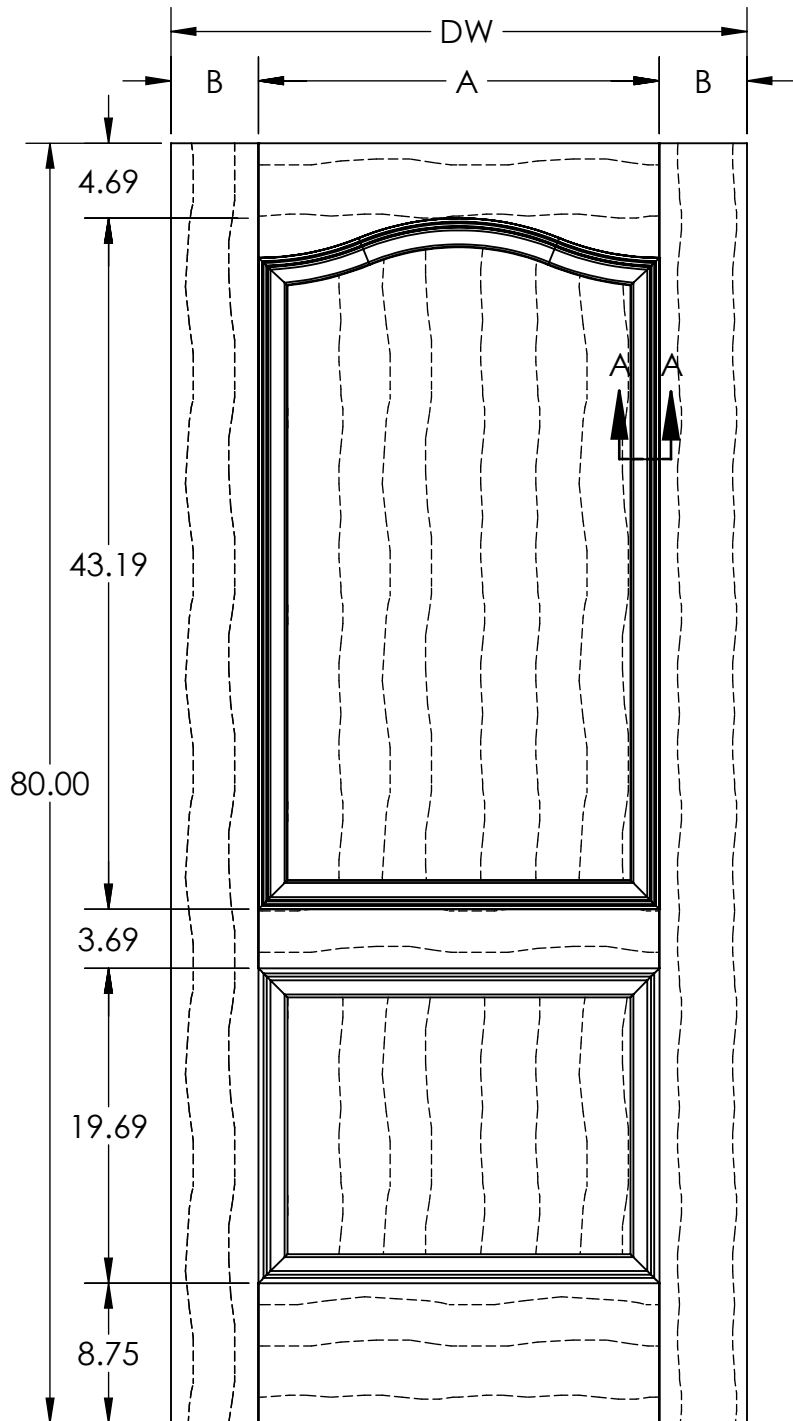
Molded Profile Door



DIMENSIONS ARE IN: inches
 DOOR TOLERANCES
 WIDTH (FULL WIDTH): ±1/16
 WIDTH (PREFIT): ±1/32
 HEIGHT: ±1/16
 SQUARE: ±1/8

THE INFORMATION CONTAINED IN THIS DRAWING IS THE SOLE PROPERTY OF Lynden Door, Inc. ANY REPRODUCTION IN PART OR AS A WHOLE WITHOUT THE WRITTEN PERMISSION OF Lynden Door, Inc. IS PROHIBITED.

A04-00044 01/15/19



Blakely 6'8"		
All dimensions nominal before prefit and bevel.		
DW	A	B
3-0	25.00	5.50
2-10	22.81	5.59
2-8	22.81	4.59
2-6	19.56	5.21
2-4	18.12	4.93
2-2	14.93	5.53
2-0	14.93	4.53
1-10	14.93	3.53
1-8	9.50	5.25
1-6	9.50	4.25
Bottom rail dimension does not comply with ADA requirements.		

Blakely (Classique)

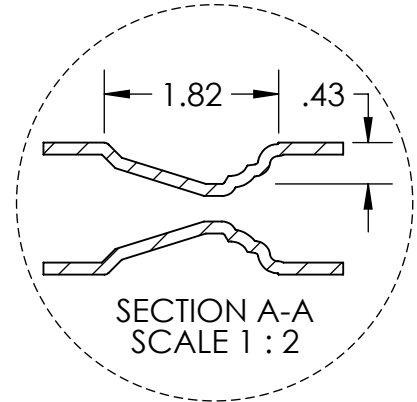
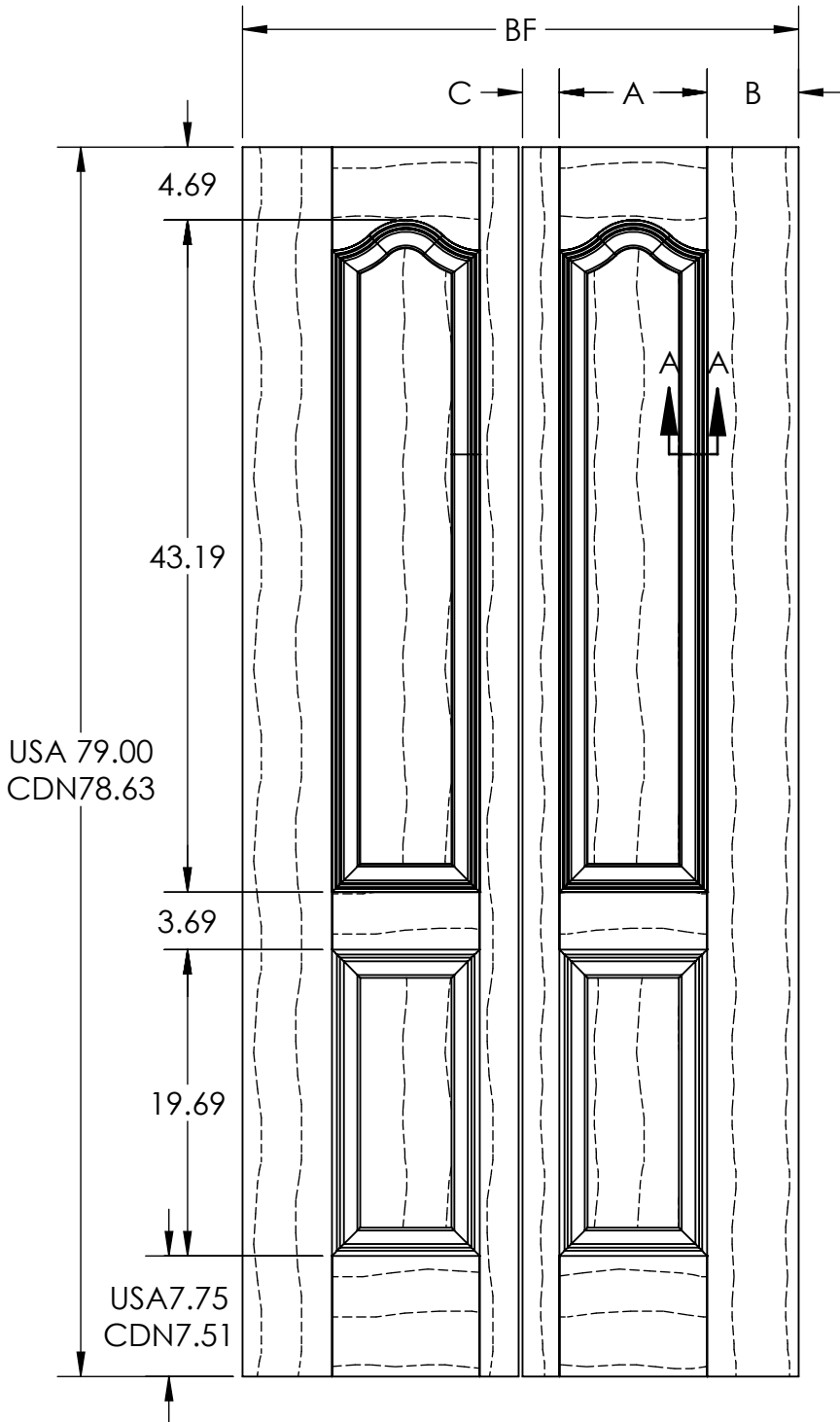
Molded Profile Door



DIMENSIONS ARE IN: inches
 DOOR TOLERANCES
 WIDTH (FULL WIDTH): ±1/16
 WIDTH (PREFIT): ±1/32
 HEIGHT: ±1/16
 SQUARE: ±1/8

THE INFORMATION CONTAINED IN THIS DRAWING IS THE
 SOLE PROPERTY OF Lynden Door, Inc. ANY
 REPRODUCTION IN PART OR AS A WHOLE WITHOUT THE
 WRITTEN PERMISSION OF Lynden Door, Inc. IS PROHIBITED.

A04-00036 01/14/19



Blakely Bifold 6'8"			
BF	A	B	C
3-0	9.50	5.87	2.38
2-8	9.50	3.87	2.38
2-6	7.50	5.00	2.25
2-4	7.50	4.00	2.25
2-0	6.74	3.23	1.78
1-8	6.74	1.78	1.23
1-6	6.74	1.03	0.98

Use of heavy duty hardware may require additional undercut. Lynden Door standard is 3/4"

Blakely (Classique)

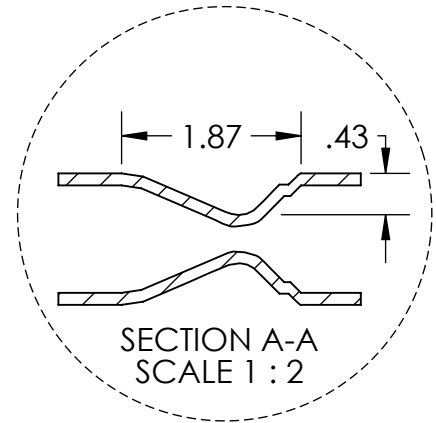
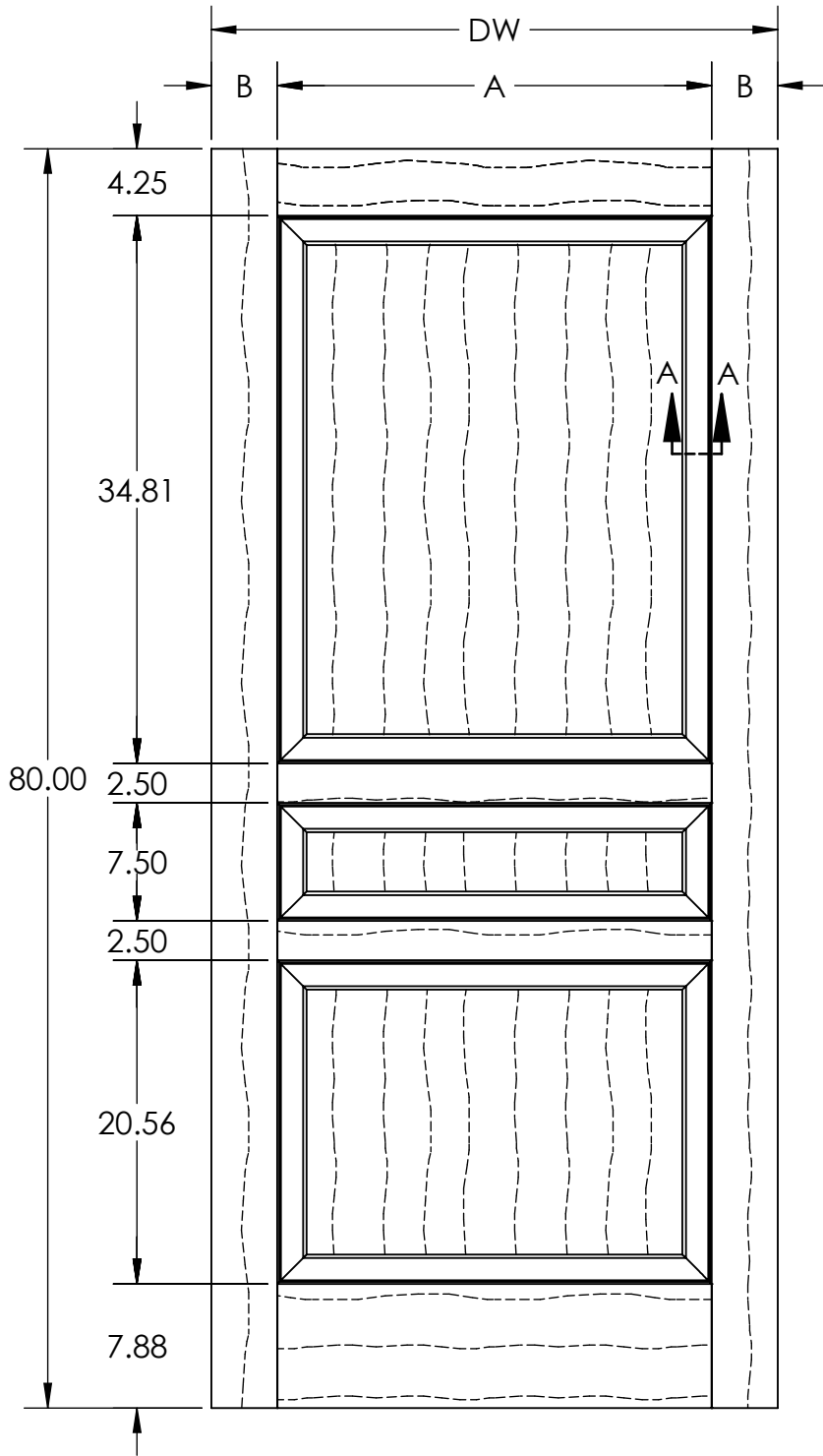
Molded Profile Bifold



DIMENSIONS ARE IN: Inches
 DOOR TOLERANCES
 WIDTH (FULL WIDTH): ±1/16
 WIDTH (PREFIT): ±1/32
 HEIGHT: ±1/16
 SQUARE: ±1/8

THE INFORMATION CONTAINED IN THIS DRAWING IS THE SOLE PROPERTY OF Lynden Door, Inc. ANY REPRODUCTION IN PART OR AS A WHOLE WITHOUT THE WRITTEN PERMISSION OF Lynden Door, Inc. IS PROHIBITED.

A04-00036 01/14/19



Westport 6'8"		
All dimensions nominal before prefit and bevel.		
DW	A	B
3-0	27.62	4.19
2-10	23.62	5.19
2-8	23.62	4.19
2-6	21.62	4.19
2-4	19.62	4.19
2-2	19.62	3.19
2-0	15.62	4.19
1-10	15.62	3.19
1-8	8.75	5.62
1-6	8.75	4.62
Bottom rail dimension does not comply with ADA requirements.		

Westport (Clermont)

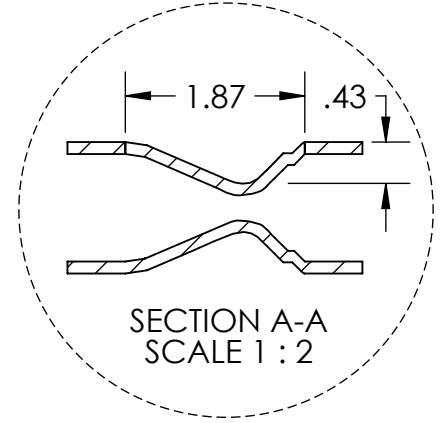
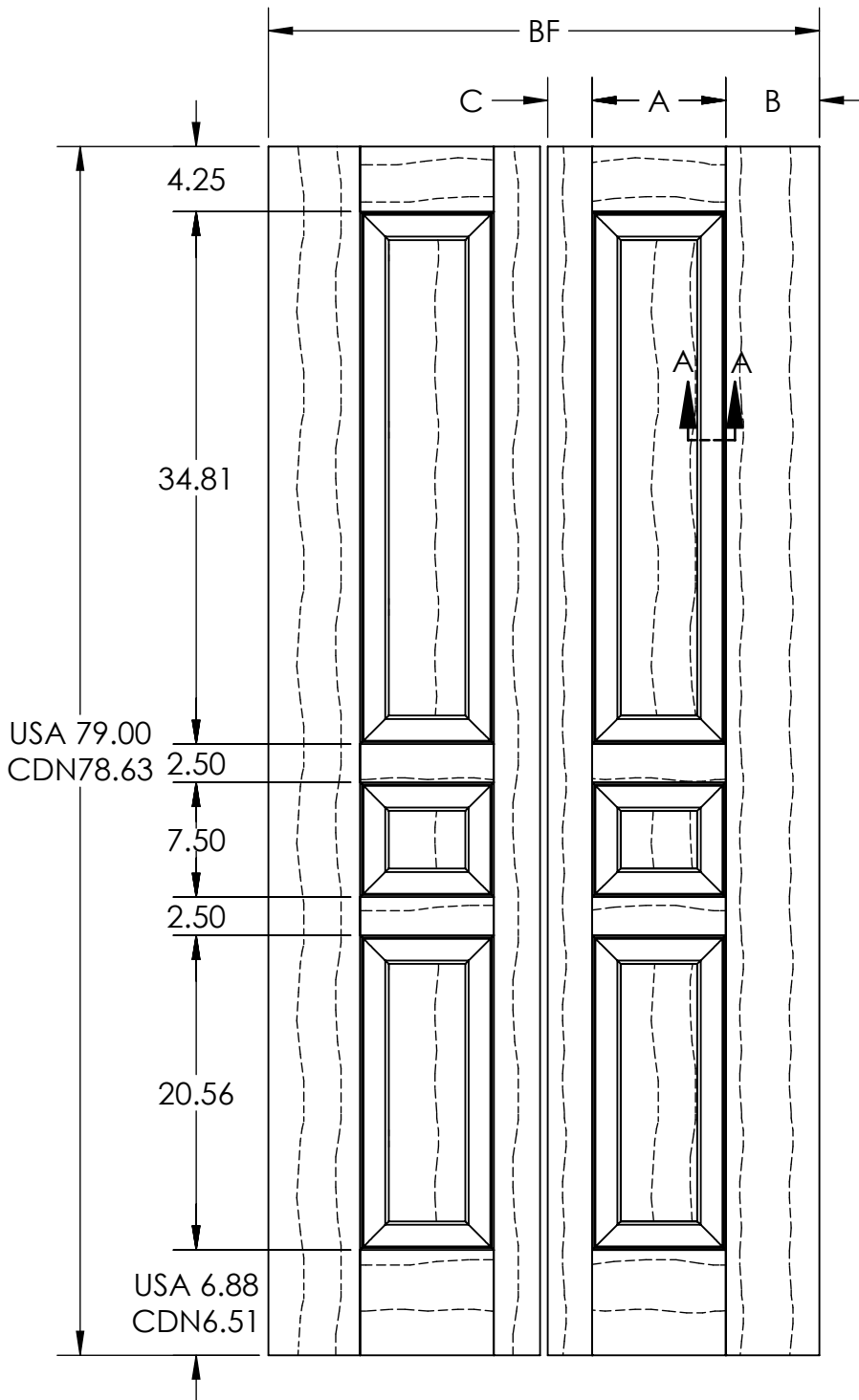
Molded Profile Door



DIMENSIONS ARE IN: Inches
 DOOR TOLERANCES
 WIDTH (FULL WIDTH): ±1/16
 WIDTH (PREFIT): ±1/32
 HEIGHT: ±1/16
 SQUARE: ±1/8

THE INFORMATION CONTAINED IN THIS DRAWING IS THE
 SOLE PROPERTY OF Lynden Door, Inc. ANY
 REPRODUCTION IN PART OR AS A WHOLE WITHOUT THE
 WRITTEN PERMISSION OF Lynden Door, Inc. IS PROHIBITED.

A04-00037 01/14/19



Westport Bifold 6'8"			
BF	A	B	C
3-0	8.74	5.99	3.02
2-8	8.74	3.99	3.02
2-6	7.68	4.61	2.46
2-4	7.68	3.61	2.46
2-0	6.18	3.63	1.94
1-8	6.18	1.94	1.63
1-6	6.18	1.38	1.19

Use of heavy duty hardware may require additional undercut. Lynden Door standard is 3/4"

Westport (Clermont)

Molded Profile Bifold



DIMENSIONS ARE IN: Inches
 DOOR TOLERANCES
 WIDTH (FULL WIDTH): ±1/16
 WIDTH (PREFIT): ±1/32
 HEIGHT: ±1/16
 SQUARE: ±1/8

THE INFORMATION CONTAINED IN THIS DRAWING IS THE SOLE PROPERTY OF Lynden Door, Inc. ANY REPRODUCTION IN PART OR AS A WHOLE WITHOUT THE WRITTEN PERMISSION OF Lynden Door, Inc. IS PROHIBITED.

A04-00037 01/14/19