

Kingston 6'8"		
All dimensions nominal before prefit and bevel.		
DW	A	B
3-0	23.69	6.15
2-10	21.69	6.15
2-8	21.69	5.15
2-6	19.69	5.15
2-4	17.69	5.15
2-2	15.69	5.15
2-0	15.69	4.15
1-10	15.69	3.15
1-8	11.96	4.02
1-6	11.96	3.02
1-4	7.08	4.46

Bottom rail dimension does not comply with ADA requirements.

Kingston

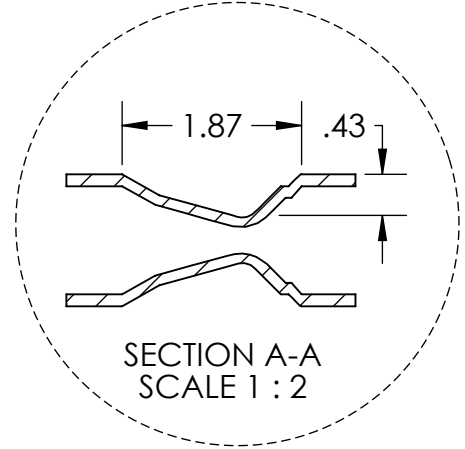
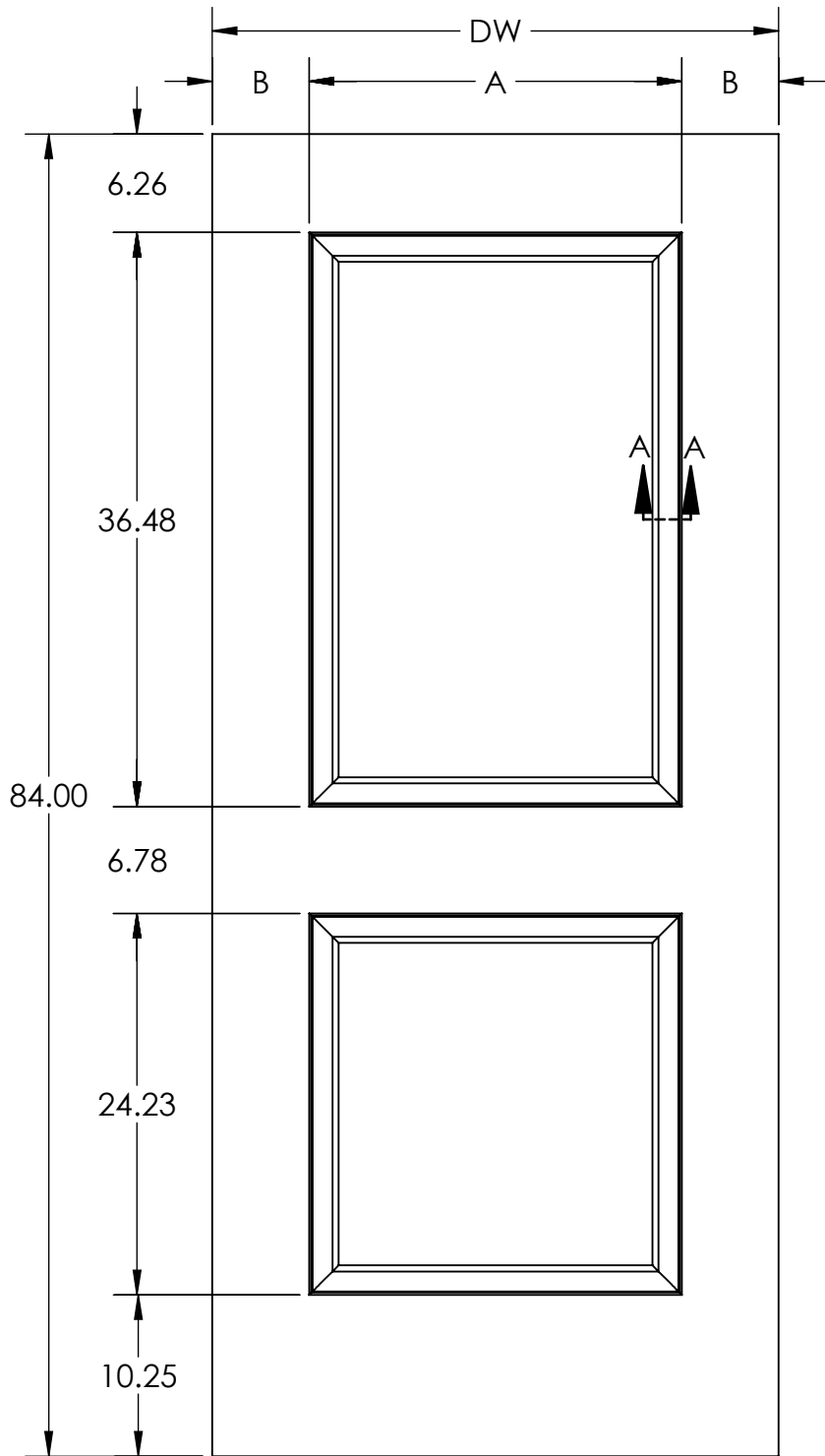
Molded Profile Door



DIMENSIONS ARE IN: inches
 DOOR TOLERANCES
 WIDTH (FULL WIDTH): ±1/16
 WIDTH (PREFIT): ±1/32
 HEIGHT: ±1/16
 SQUARE: ±1/8

THE INFORMATION CONTAINED IN THIS DRAWING IS THE SOLE PROPERTY OF Lynden Door, Inc. ANY REPRODUCTION IN PART OR AS A WHOLE WITHOUT THE WRITTEN PERMISSION OF Lynden Door, Inc. IS PROHIBITED.

A04-00043.02/12/18



Kingston 7'0"		
All dimensions nominal before prefit and bevel.		
DW	A	B
3-0	23.69	6.15
2-10	21.69	6.15
2-8	21.69	5.15
2-6	19.69	5.15
2-4	17.69	5.15
2-2	15.69	5.15
2-0	15.69	4.15
1-10	15.69	3.15
1-8	11.96	4.02
1-6	11.96	3.02
1-4*	7.08	4.46
Bottom rail dimension complies with ADA requirements.		
* Non-Stock, Contact factory for pricing and availability.		

Kingston

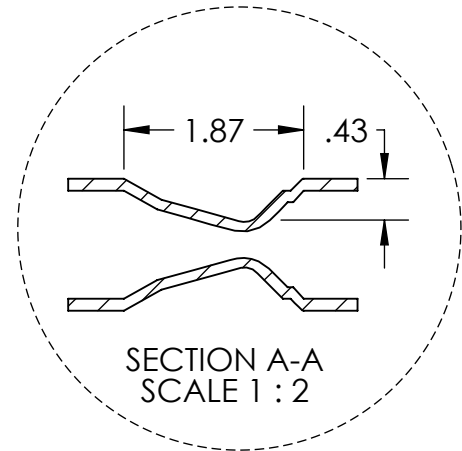
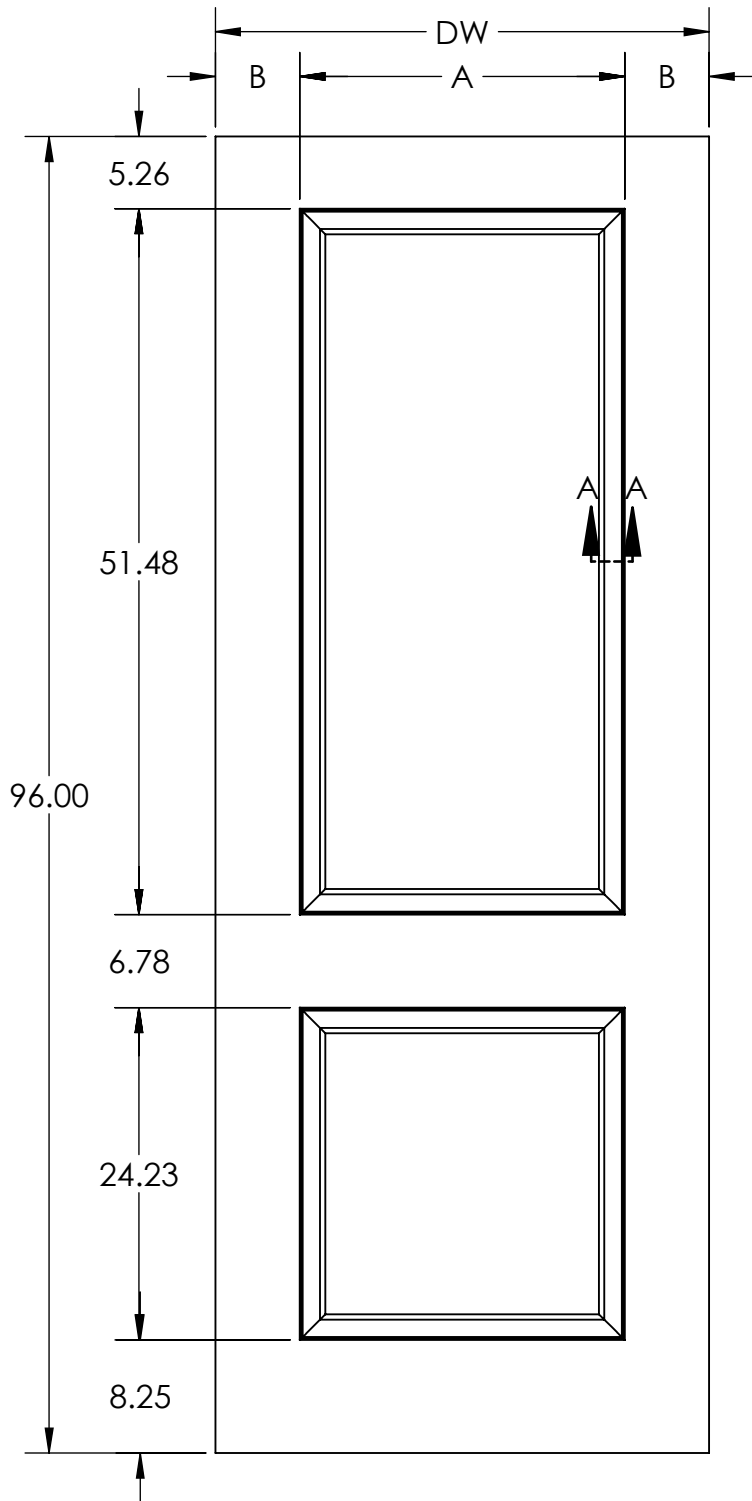
Molded Profile Door



DIMENSIONS ARE IN: inches
 DOOR TOLERANCES
 WIDTH (FULL WIDTH): $\pm 1/16$
 WIDTH (PREFIT): $\pm 1/32$
 HEIGHT: $\pm 1/16$
 SQUARE: $\pm 1/8$

THE INFORMATION CONTAINED IN THIS DRAWING IS THE SOLE PROPERTY OF Lynden Door, Inc. ANY REPRODUCTION IN PART OR AS A WHOLE WITHOUT THE WRITTEN PERMISSION OF Lynden Door, Inc. IS PROHIBITED.

A04-00043 02/12/18



Kingston 8'0"		
All dimensions nominal before prefit and bevel.		
DW	A	B
3-0	23.69	6.15
2-10*	23.69	5.15
2-8	21.69	5.15
2-6	19.69	5.15
2-4	17.69	5.15
2-2	17.69	4.15
2-0	15.69	4.15
1-10	15.69	3.15
1-8	11.96	4.02
1-6	11.96	3.02
Bottom rail dimension does not comply with ADA requirements.		
* Contact factory regarding availability of wider stile options.		

Kingston

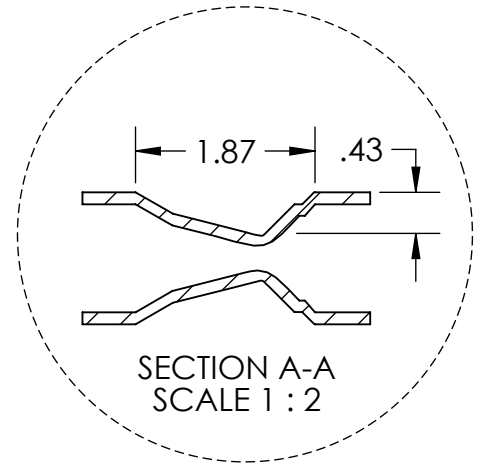
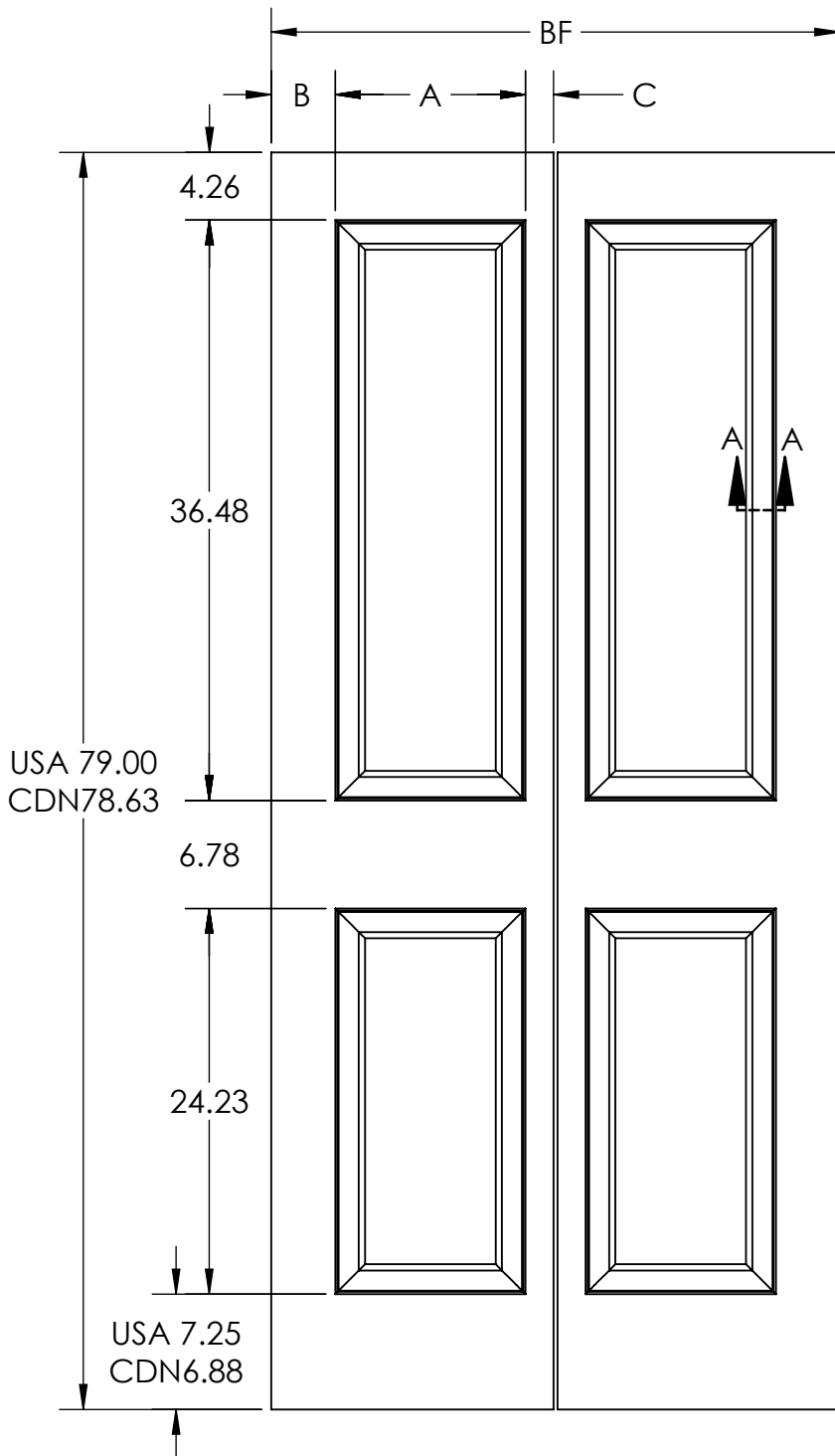
Molded Profile Door



DIMENSIONS ARE IN: inches
 DOOR TOLERANCES
 WIDTH (FULL WIDTH): ±1/16
 WIDTH (PREFIT): ±1/32
 HEIGHT: ±1/16
 SQUARE: ±1/8

THE INFORMATION CONTAINED IN THIS DRAWING IS THE SOLE PROPERTY OF Lynden Door, Inc. ANY REPRODUCTION IN PART OR AS A WHOLE WITHOUT THE WRITTEN PERMISSION OF Lynden Door, Inc. IS PROHIBITED.

A04-00043 02/12/18



Kingston Bifold 6'8"			
BF	A	B	C
3-0	11.96	4.02	1.77
2-8	9.96	4.02	1.77
2-6	8.96	4.02	1.77
2-4	7.96	4.02	1.77
2-0	5.96	4.02	1.77
1-8	5.96	2.02	1.77
1-6	5.96	1.77	1.02

Use of heavy duty hardware may require additional undercut. Lynden Door standard is 3/4"

Kingston

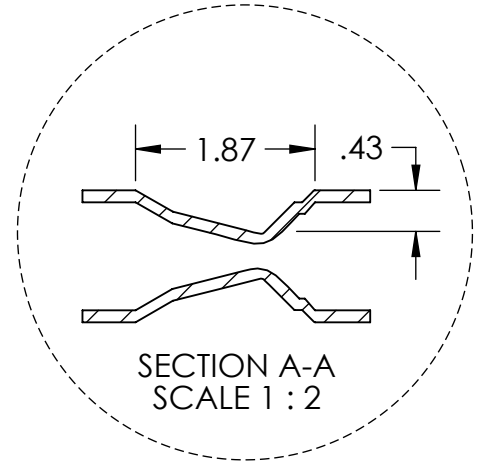
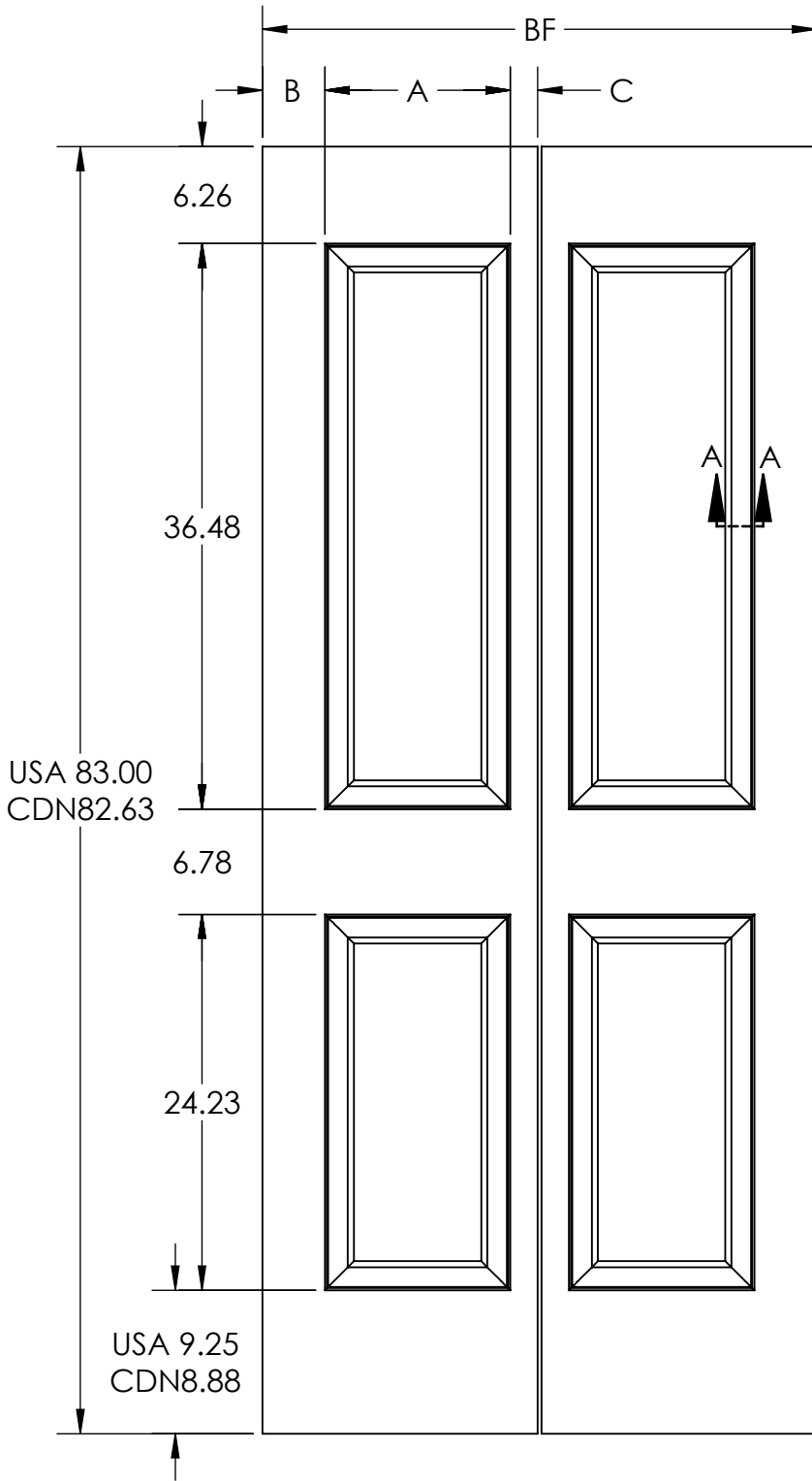
Molded Profile Bifold



DIMENSIONS ARE IN: inches
 DOOR TOLERANCES
 WIDTH (FULL WIDTH): ±1/16
 WIDTH (PREFIT): ±1/32
 HEIGHT: ±1/16
 SQUARE: ±1/8

THE INFORMATION CONTAINED IN THIS DRAWING IS THE SOLE PROPERTY OF Lynden Door, Inc. ANY REPRODUCTION IN PART OR AS A WHOLE WITHOUT THE WRITTEN PERMISSION OF Lynden Door, Inc. IS PROHIBITED.

A04-00043.02/12/18



Kingston Bifold 7'0"			
BF	A	B	C
3-0	11.96	4.02	1.77
2-8	9.96	4.02	1.77
2-6	8.96	4.02	1.77
2-4	7.96	4.02	1.77
2-0	5.96	4.02	1.77
1-8	5.96	2.02	1.77
1-6	5.96	1.77	1.02
Use of heavy duty hardware may require additional undercut. Lynden Door standard is 3/4"			

Kingston

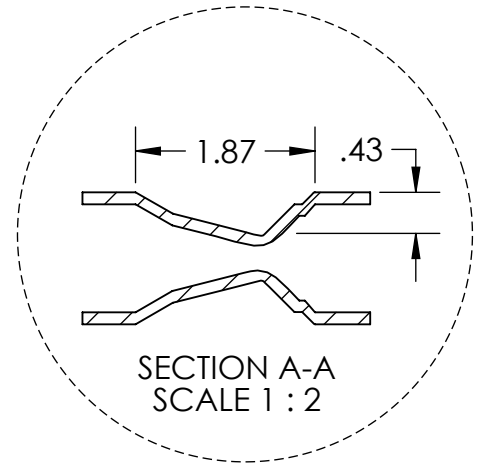
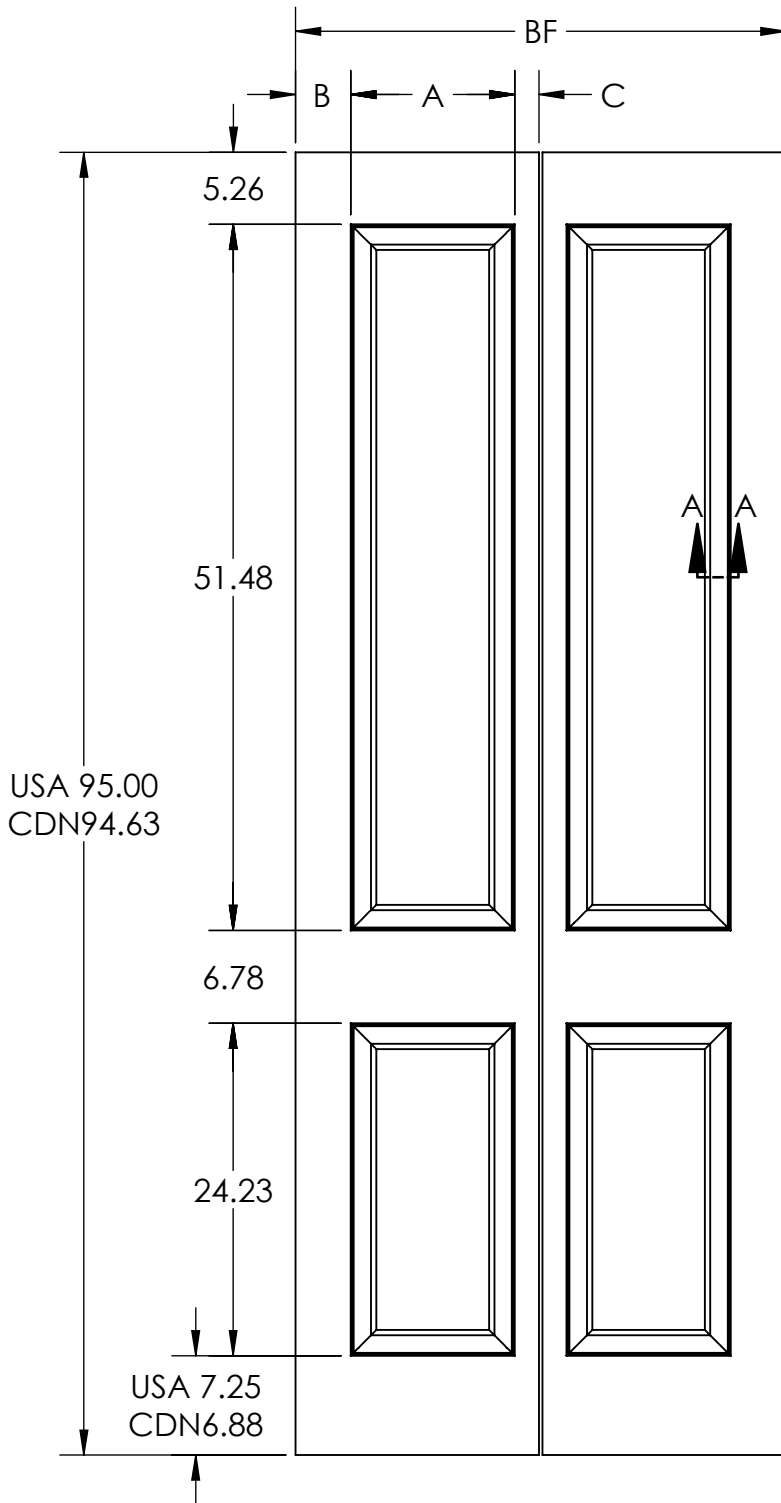
Molded Profile Bifold



DIMENSIONS ARE IN: inches
DOOR TOLERANCES
WIDTH (FULL WIDTH): ±1/16
WIDTH (PREFIT): ±1/32
HEIGHT: ±1/16
SQUARE: ±1/8

THE INFORMATION CONTAINED IN THIS DRAWING IS THE SOLE PROPERTY OF Lynden Door, Inc. ANY REPRODUCTION IN PART OR AS A WHOLE WITHOUT THE WRITTEN PERMISSION OF Lynden Door, Inc. IS PROHIBITED.

A04-00043.02/12/18



Kingston Bifold 8'0"			
BF	A	B	C
3-0	11.96	4.02	1.77
2-8	9.96	4.02	1.77
2-6	8.96	4.02	1.77
2-4	7.96	4.02	1.77
2-0	5.96	4.02	1.77
1-8	5.96	2.02	1.77
1-6	5.96	1.77	1.02
Use of heavy duty hardware may require additional undercut. Lynden Door standard is 3/4"			

Kingston

Molded Profile Bifold



DIMENSIONS ARE IN: inches
DOOR TOLERANCES
WIDTH (FULL WIDTH): ±1/16
WIDTH (PREFIT): ±1/32
HEIGHT: ±1/16
SQUARE: ±1/8

THE INFORMATION CONTAINED IN THIS DRAWING IS THE SOLE PROPERTY OF Lynden Door, Inc. ANY REPRODUCTION IN PART OR AS A WHOLE WITHOUT THE WRITTEN PERMISSION OF Lynden Door, Inc. IS PROHIBITED.

A04-00043 02/12/18